

88K53	INSTALLATION INSTRUCTIONS
KITS COMMON TO COOLING AND HEAT PUMP EQUIPMENT	COIL GUARDS FOR LGA/LCA/LCC/LGC 248-360

APPLICATION

The Coil Guard (88K53) is designed to prevent damage to the condenser coil of the HVAC unit. The following parts are included in the package:

SHIPPING AND PACKING LIST

- 1 ea. - Coil Guard
- 1 ea. - Hardware Package
 - 1 ea - Installation Instructions
 - 6 ea - #10-1/2" Self Drilling Screws

CAUTION

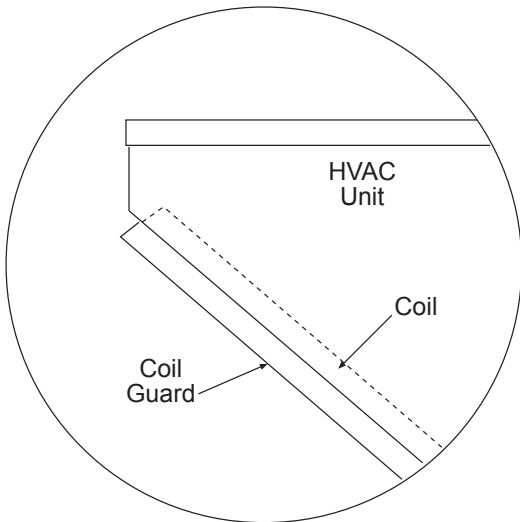
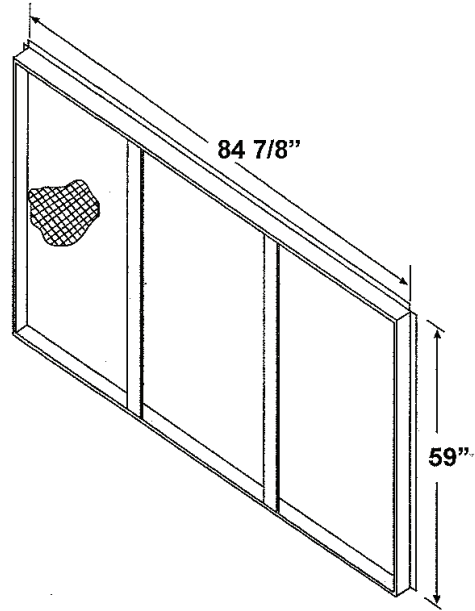
WHEN INSTALLING GUARD, USE CARE TO NOT PUNCTURE CONDENSER COIL

INSTALLATION

STEP 1:

Center Coil Guard over condenser coil and align holes in sides of coil guard to the holes on the rooftop unit. Secure coil guard to the rooftop unit using the supplied screws. See Figure 1.

NOTE: To avoid coil damage, never use screws longer than 1/2".



SIDE DETAIL

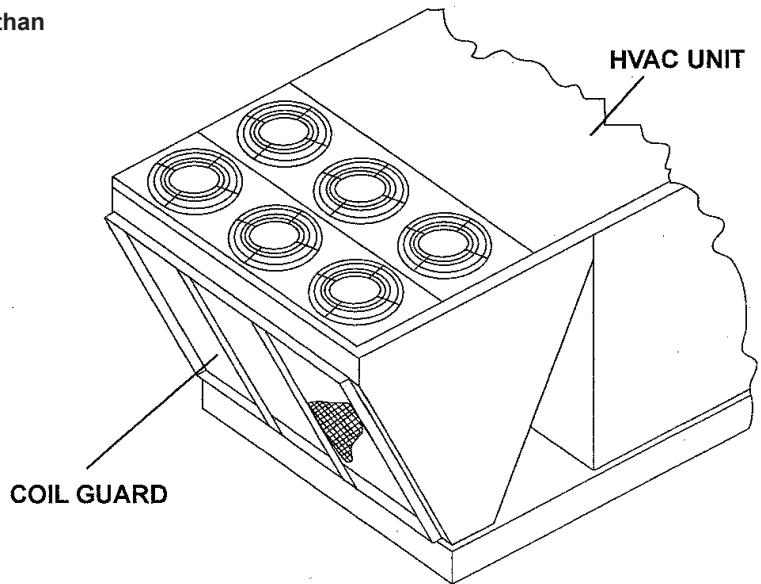


FIGURE 1