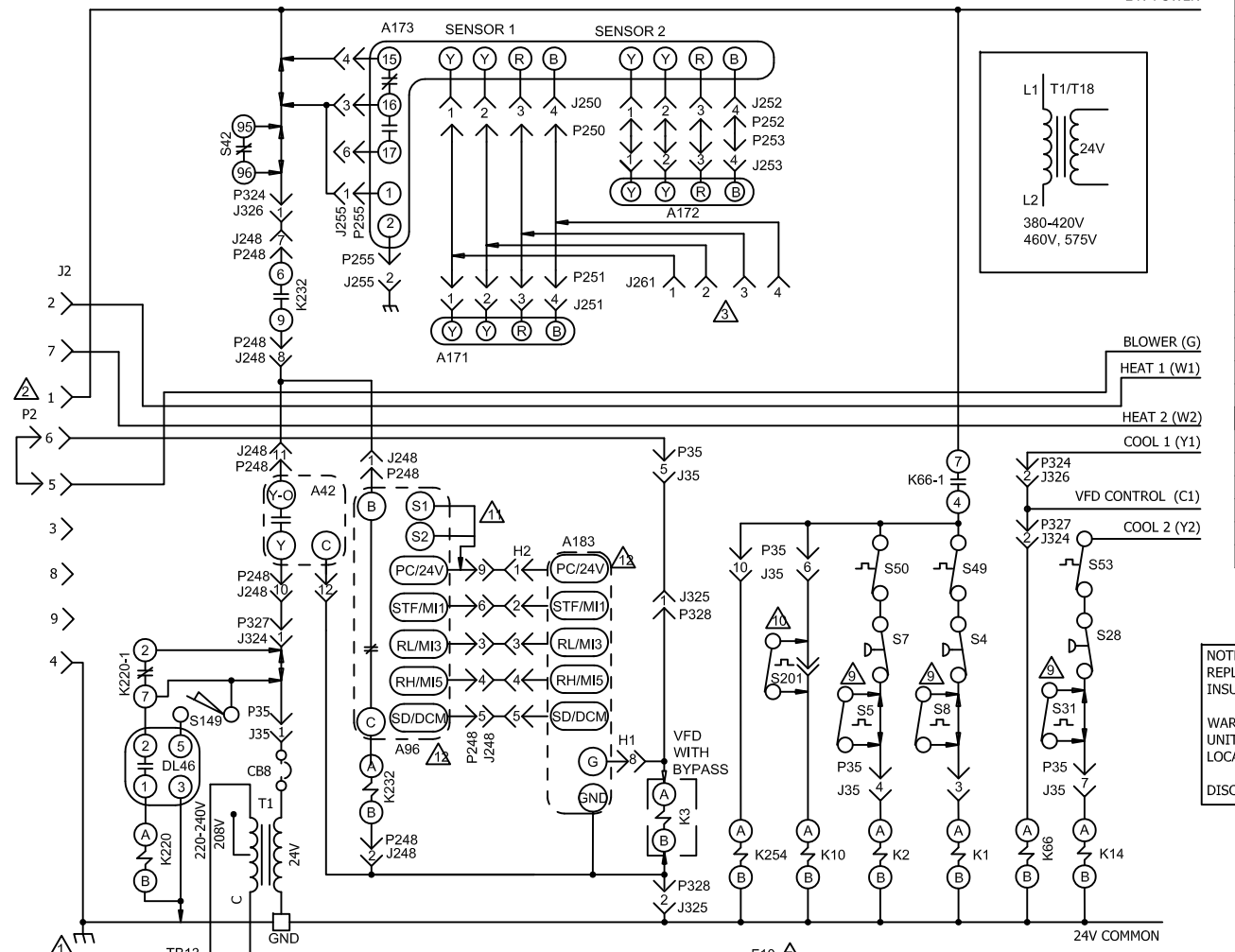


10X12

24V POWER



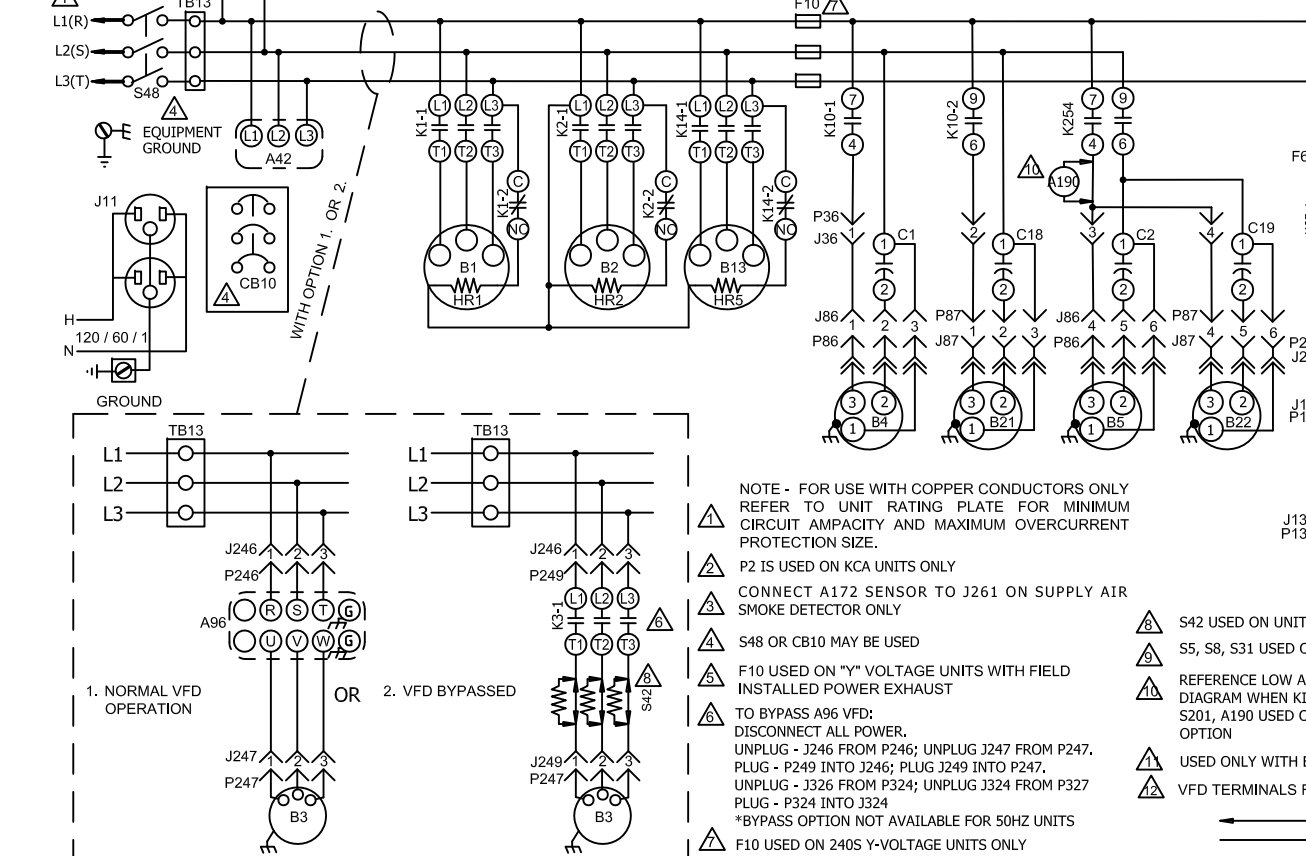
J/P	JACK/PLUG DESCRIPTION
2	HEAT
18	EXHAUST FAN COMPT
24	EXHAUST FAN
35	RUN TEST
36	RUN TEST OUTDOOR FANS
86	OUTDOOR FANS 1,2
87	OUTDOOR FANS 3,4
132	EXHAUST FAN MOTOR 1
133	EXHAUST FAN MOTOR 2
246	POWER TO VFD
247	POWER VFD TO MOTOR
248	VFD CONTROL
249	K3 CONTACTOR, INVERTER BYPASS
250	SMOKE DETECTOR ONE
251	SMOKE DETECTOR ONE
252	SMOKE DETECTOR TWO
253	SMOKE DETECTOR TWO
255	MODULE, CONTROL SMOKE DETECTION
261	SMOKE DETECTOR JUMPER
324	VFD OPTION CONNECTION
325	K3 BLOWER CONTROL
326	PHASE MONITOR/ VFD CONTROL ADD ON
327	PHASE MONITOR/ VFD CONTROL ADD ON
328	VFD BLOWER CONTROL

KEY	COMPONENT
A42	MONITOR, PHASE PROTECTION
A96	CONTROL INVERTER
A171	SENSOR ONE, SMOKE, RETURN AIR
A172	SENSOR TWO, SMOKE, SUPPLY AIR
A173	MODULE, CONTROL SMOKE DETECTION
A183	CONTROL, VFD BOARD
A190	PRESSURE CONTROLLER, COMP 2, LOW AMBIENT KIT
B1	COMPRESSOR 1
B2	COMPRESSOR 2
B3	MOTOR, BLOWER
B4	MOTOR, OUTDOOR FAN 1
B5	MOTOR, OUTDOOR FAN 2
B10	MOTOR, EXHAUST FAN 1
B11	MOTOR, EXHAUST FAN 2
B13	COMPRESSOR 3
B21	MOTOR, OUTDOOR FAN 3
B22	MOTOR, OUTDOOR FAN 4
C1	CAPACITOR, OUTDOOR FAN 1
C2	CAPACITOR, OUTDOOR FAN 2
C6	CAPACITOR, EXHAUST FAN 1
C8	CAPACITOR, EXHAUST FAN 2
C18	CAPACITOR, OUTDOOR FAN 3
C19	CAPACITOR, OUTDOOR FAN 4
CB8	CIRCUIT, BREAKER T1
CB10	CIRCUIT, BREAKER MAIN DISCONNECT
DL46	DELAY, OVERFLOW SWITCH
F6	FUSE, EXHAUST FAN
H2	HEADER 2, A183 - LVC2 BOARD
HR1	HEATER, COMPRESSOR 1
HR2	HEATER, COMPRESSOR 2
HR5	HEATER, COMPRESSOR 3
J11	JACK, GFI, RECEPTICLE
K1,-1,2	CONTACTOR, COMPRESSOR 1
K2,-1,2	CONTACTOR, COMPRESSOR 2
K3,-1	CONTACTOR, BLOWER
K10,-1,2	RELAY, OUTDOOR FANS 1 & 2
K14,-1,2	CONTACTOR, COMPRESSOR 3
K65,-2	RELAY, EXHAUST FAN 1
K66,-1	RELAY, STAGE COOL 1
K220,-1	RELAY, OVERFLOW SWITCH
K232	RELAY, INVERTER PROTECTION
K254	RELAY, LOW AMBIENT KIT FANS 2 & 4
S4	SWITCH, LIMIT HI PRESS COMP 1
S5	SWITCH, LIMIT HI TEMP COMP 1
S7	SWITCH, LIMIT HI PRESS COMP 2
S8	SWITCH, LIMIT HI TEMP COMP 2
S28	SWITCH, LIMIT HI PRESS COMP 3
S31	SWITCH, LIMIT HI TEMP COMP 3
S42	SWITCH, OVERLOAD RELAY BLOWER MOTOR
S48	SWITCH, DISCONNECT
S49	SWITCH, FREEZESTAT COMP 1
S50	SWITCH, FREEZESTAT COMP 2
S53	SWITCH, FREEZESTAT COMP 3
S149	SWITCH, OVERFLOW
S201	SWITCH, LOW AMBIENT TEMP SENSOR
T1	TRANSFORMER, CONTROL
T18	TRANSFORMER, REHEAT
TB13	TERMINAL STRIP, POWER DISTRIBUTION

NOTE - IF ANY WIRE IN THIS APPLIANCE IS REPLACED IT MUST BE REPLACED WITH WIRE OF LIKE SIZE, RATING, TERMINATION AND INSULATION THICKNESS

WARNING - ELECTRIC SHOCK HAZARD, CAN CAUSE INJURY OR DEATH UNIT MUST BE GROUNDED IN ACCORDANCE WITH NATIONAL AND LOCAL CODES

DISCONNECT ALL POWER BEFORE SERVICING.



- NOTE - FOR USE WITH COPPER CONDUCTORS ONLY REFER TO UNIT RATING PLATE FOR MINIMUM CIRCUIT AMPACITY AND MAXIMUM OVERCURRENT PROTECTION SIZE.
- P2 IS USED ON KCA UNITS ONLY
- CONNECT A172 SENSOR TO J261 ON SUPPLY AIR SMOKE DETECTOR ONLY
- S48 OR CB10 MAY BE USED
- F10 USED ON "Y" VOLTAGE UNITS WITH FIELD INSTALLED POWER EXHAUST
- TO BYPASS A96 VFD: DISCONNECT ALL POWER. UNPLUG - J246 FROM P246; UNPLUG J247 FROM P247. PLUG - P249 INTO J246; PLUG J249 INTO P247. UNPLUG - J326 FROM P324; UNPLUG J324 FROM P327 PLUG - P324 INTO J324
- *BYPASS OPTION NOT AVAILABLE FOR 50HZ UNITS
- F10 USED ON 240S Y-VOLTAGE UNITS ONLY
- S42 USED ON UNIT WITH 10 HP MOTOR AND VFD BYPASS
- S5, S8, S31 USED ON 180H UNITS ONLY
- REFERENCE LOW AMBIENT KIT INSTRUCTIONS FOR WIRING DIAGRAM WHEN KIT IS INSTALLED.
- S201, A190 USED ONLY IN UNITS WITH LOW AMBIENT OPTION
- USED ONLY WITH E800 VFDs
- VFD TERMINALS FOR MITSUBISHI / DELTA DRIVES
- DENOTES OPTIONAL COMPONENTS
- LINE VOLTAGE FIELD INSTALLED

2023/07	WIRING DIAGRAM	23/07
	538267-02	
COOLING - MSAV		
KG/KC C-BOX - 240S - G, J, Y VOLT		
SECTION B		REV. 0
Supersedes	FORM NUMBER	
538267-01	538267-02	