

**INSTALLATION INSTRUCTIONS FOR GFI KIT (LB-101063A, C & D; 31M77, 74M70 & 67E01)  
 USED ON PACKAGED LG/LC/LH/TG/TC/TH/KG/KC/KH SERIES UNITS**

**Shipping and Packing List**

**LB-101063A; 31M77**

**Package 1 of 1 contains:**

- 1- GFI Receptacle J117
- 1- Receptacle flip-cover
- 1- Handy box
- 1- Bag assembly containing:
  - 4-#6-16 X 1/2 TFS Screws
  - 2-#6-32 X 1/2 TFS Screws

**LB-101063C & D; 74M70 & 67E01**

**Package 1 of 1 contains:**

- 1- GFI Receptacle J117
- 1- Handy box
- 1- L Bracket
- 1- Bag assembly containing:
  - 4-#10-32 X 1/2 TFS Screws

**Application**

The GFI Kit is used as follows:

- 31M77 - LG/LC/LH 036-072
- 74M70 & 67E01 - LG/LC/LH 090-360 and TG/TC/TH/KG/KC/KH 024-300S


**WARNING**

**Improper installation, adjustment, alteration, service or maintenance can cause property damage, personal injury or loss of life. Installation and service must be performed by a qualified installer, service agency or the gas supplier**

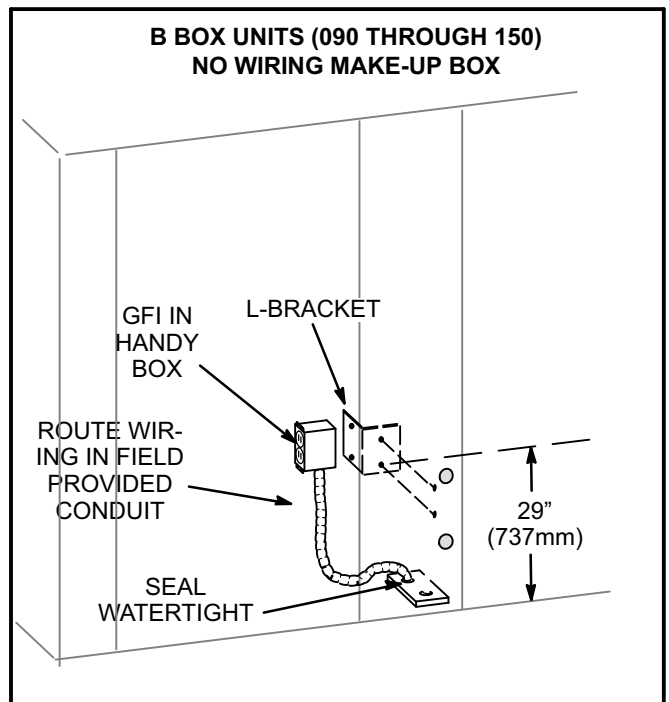

**CAUTION**

**Danger of sharp metallic edges. Can cause injury. Take care when servicing unit to avoid accidental contact with sharp edges.**

**Installation**

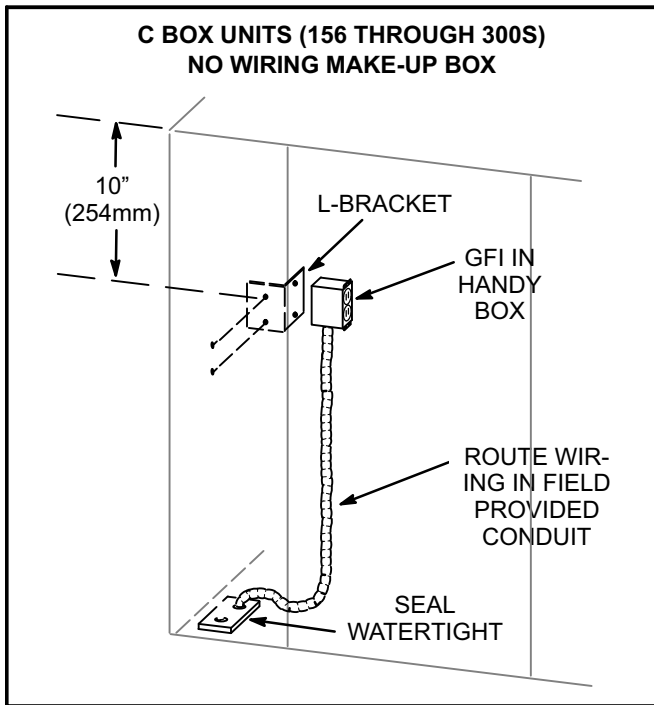
- 1- Disconnect all power to unit.
- 2- *A Box LG/LC/LH 036-072 Units -* Remove and discard lower patch plate on mullion to the left of the compressor section.  
*A Box TG/TC/TH/KG/KC/KH 024-072 Units -* Open or remove compressor access panel.  
*B Through D Box 090-360 Units -* Open or remove compressor access panel.
- 3- *B Box 090-150 Units - NO Wiring Make-Up Box -* Use L-Bracket to mark and drill holes on unit mullion as shown in figure 1. Install L-Bracket on inside of mullion. Secure bracket from outside of unit.
- 4- *C Box 156-300S Units - NO Wiring Make-Up Box -* Use L-Bracket to mark and drill holes on unit mullion as shown in figure 2. Install L-Bracket on inside of mullion. Secure bracket from outside of unit.

*Note - Discard L-bracket when unit has a wiring make-up box or when installing TG/TC/TH/KG/KC/KH 024-072 units.*

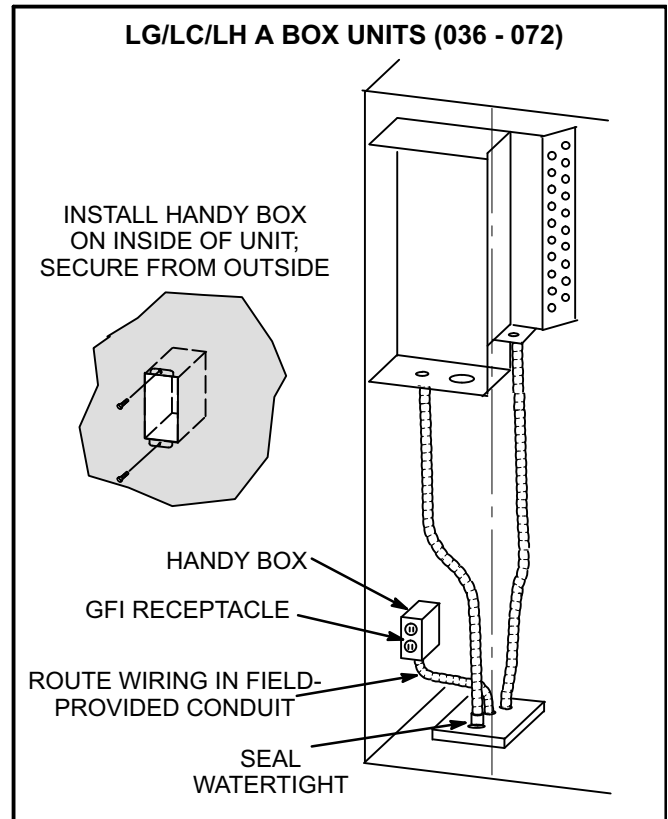


**FIGURE 1**





**FIGURE 2**



**FIGURE 3**

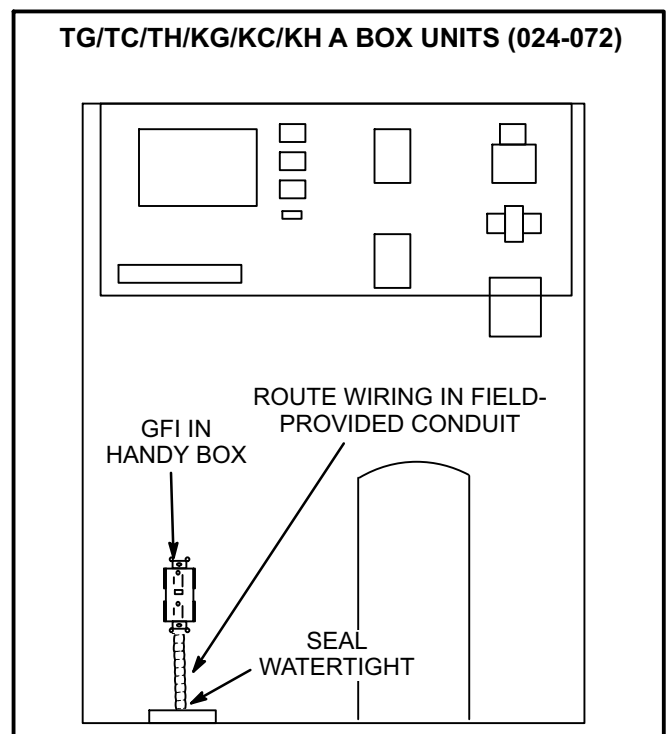
- 5- Install handy box in location as follows:
- Figure 3 LG/LC/LH A Box units
  - Figure 4 TG/TC/TH/KG/KC/KH A Box units
  - Figure 5 B Box units with wiring make-up box
  - Figure 1 B Box units NO wiring make-up box
  - Figure 6 C Box units with wiring make-up box facing the front of unit
  - Figure 2 C Box units NO wiring make-up box
  - Figure 7 C and D Box units with wiring make-up box facing the side of the unit.

Note - Use #6 screws to secure handy box to LG/LC/LH 036-072 units and #10 screws to secure handy box in all other units.

- 6- Route field-provided wiring through conduit and appropriate knock-out in handy box. Connect wires to terminals on back of GFI receptacle according to wiring diagram on unit and local codes.
- 7- Secure GFI receptacle to handy box with 2 screws provided with receptacle.
- 8- *LG/LC/LH A box Units* -  
Install receptacle flip-cover over GFI receptacle on outside of unit. Secure with 4 #6 screws.

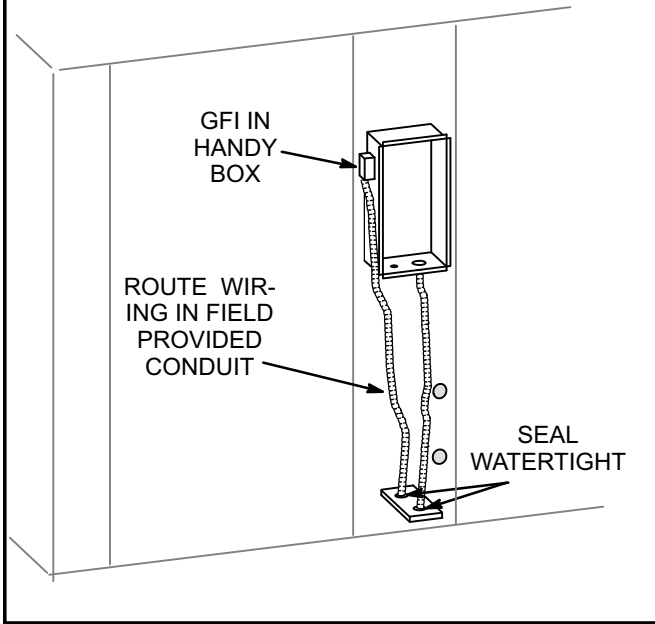
*LG/LC/LH/TG/TC/TH/KG/KC/KH A, B, C, & D Box Units* -

Install GFI faceplate on receptacle; screws and faceplate are packaged with the receptacle.



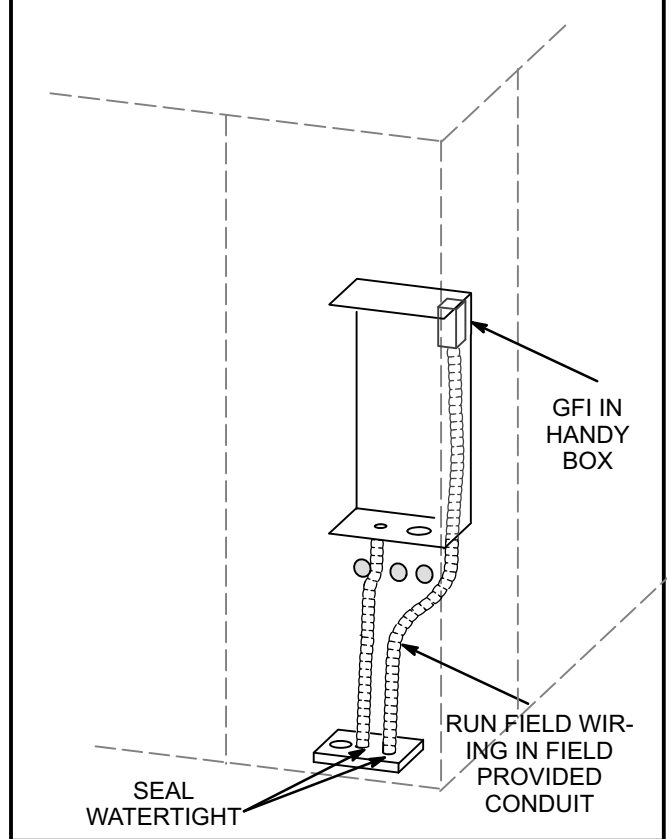
**FIGURE 4**

**B BOX UNITS (090 THROUGH 150)  
WITH WIRING MAKE-UP BOX**



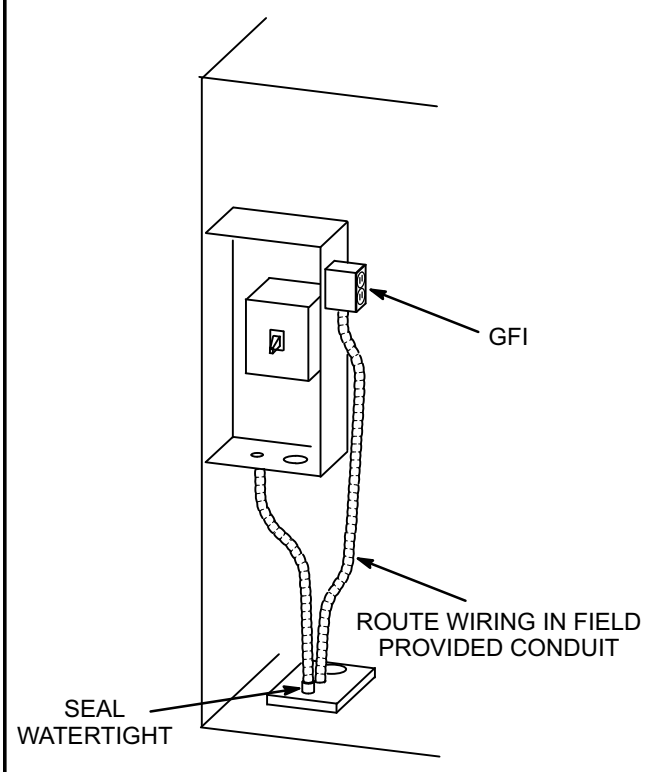
**FIGURE 5**

**C AND D BOX UNITS (156 THROUGH 360)  
WITH WIRING MAKE-UP BOX FACING UNIT SIDE**



**FIGURE 7**

**C BOX UNITS (156 THROUGH 300S)  
WITH WIRING MAKE-UP BOX FACING UNIT FRONT**



**FIGURE 6**