



©2021 Lennox Industries Inc.
Dallas, Texas, USA

This manual must be left with the owner for future reference.

Shipping and Packing List

Package 1 of 1 contains;

- 1 – Wireless Controller
- 2 – AAA batteries
- 1 – Remote controller holder with mounting screw

USER GUIDE

Lennox Mini-Split Systems Wireless Indoor Unit Controller (22U50)

CONTROLS

508214-01
10/2021

IMPORTANT!

Frequent changes to operating mode may cause system malfunction. Allow at least one minute between mode changes to allow the system to stabilize.

General

The mini-split wireless controller model RG10B-DCFC is a wireless local controller for Lennox mini-split indoor unit models MMDB, M22A, MFMA and MCFB only.

Requirements

Using the remote controller

- Point the remote controller directly at the indoor unit.
- Stand within 25 feet of the indoor unit.
- Do not block the signal between the remote controller and indoor unit.

NOTE: *The remote controller will not function without a clear line of sight to the indoor unit.*

- Do not submerge the remote controller in liquid.
- Do not expose to direct sunlight.
- Do not drop or step on remote controller.
- Ensure that the remote controller is pointed directly at the indoor unit. If the remote controller is pointed directly toward the ceiling, it will not control the indoor unit (except cassette units if installed directly above the holder).

Specifications

Table 1. Specifications

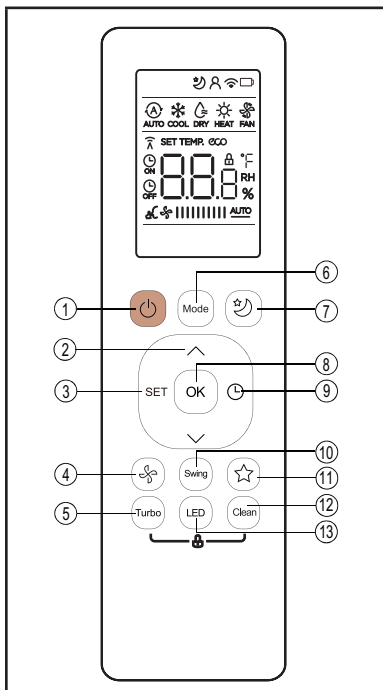
Rated voltage	3.0 VDC - (2 AAA batteries included)
Min voltage for sending signal to CPU	2.4 VDC
Effective transmitting distance	26 feet (8 meters)
Operation conditions	23°F to 140°F (-5 to 60°C)

Overview

Furnished with Wall-Mount, Cassette, Floor Console and Ceiling/Floor Indoor Units.

- Complete remote control of system
- Wireless remote controller holder furnished
- Holder can be mounted on a wall for easy access
- Mounting screws furnished

Wireless Remote Controller Button Functions



1. ON/OFF Button

Turns system on and off


2. UP/DOWN Buttons ^ ∨

Increase or decrease the indoor temperature in one degree increments (maximum 86°F, minimum 62°F)

NOTE: Temperature cannot be adjusted in FAN mode.

NOTE: Press and hold both buttons for three seconds to alternate the temperature display between the °C and °F scale.

3. SET Button

- Scrolls through unit operations in this order: Follow Me 
- The selected symbol will flash on the display area, press the OK button to confirm.

4. FAN Button

- Cycles fan speeds in the following order:
- AUTO - LOW - MED - HIGH

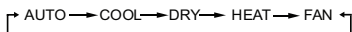
NOTE: Holding Fan button down for 2 seconds will activate Silence feature.

5. TURBO Button

Enables the unit to reach the preset temperature during cooling or heating operation in the shortest time

6. MODE Button

- Select system operation modes
- Press button to cycle through each setting



7. SLEEP Button

- Enables the system to automatically increase cooling or decrease heating (in 2°F increments) per hour for the first 2 hours, then maintain a steady temperature for 5 hours
- System keeps the final operation mode after 8 total hours of operation

8. OK Button

Confirms selected function

9. TIMER Button

- Initiates an auto-on or auto-off time sequence
- Press **TIMER** button to initiate the ON time sequence
- Press the **TEMP UP/DOWN** buttons multiple times to set the desired time to turn on the unit
- Press **TIMER** button to initiate the off time sequence.

NOTE: Each press of the button increases or decreases the time (depending on function) in 30 minute increments up to 10 hours.

Above 10 hours each press of the button will increase or decrease the auto-timed setting by 60 minutes up to 24 hours.

To cancel, set timer to 0.0 or turn remote off and on.

10. SWING Button

Used to stop or start louver auto swing feature.

11. SHORTCUT Button

Restore the current settings or resume the previous settings

12. CLEAN Button

- Start/stop the Self-Clean function
- Unit cleans itself automatically

NOTE: *Only available in COOL or DRY modes.*

NOTE: *Not for MCFA036-048 and MMDB036-048 models.*

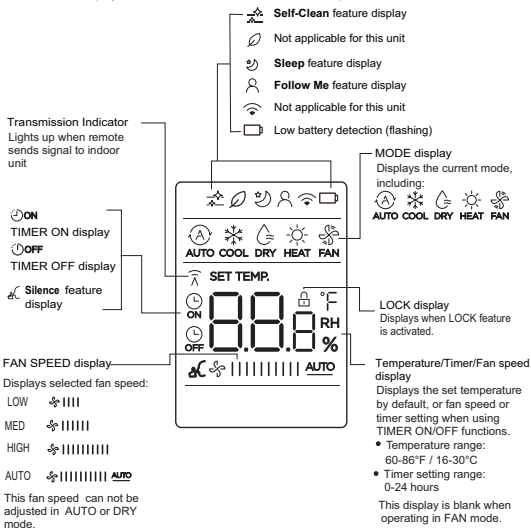
13. LED Button

Turns the LCD display backlight on the indoor unit on or off

NOTE: *Press and hold the button for 5 seconds to display the actual room temperature. Press more than 5 seconds to revert back to display set temperature.*

Wireless Remote Controller Screen Indicators

Information is displayed when the Wireless Remote Controller is powered on.



Wireless Remote Controller Operation

Auto Operation

- a. Press the **MODE** button to select Auto.
- b. Press the **UP/DOWN** button to set the desired temperature.
- c. Press the **ON/OFF** button to start the air conditioner.

Cooling /Heating/Fan Operation

- a. Press the **MODE** button to select COOL, HEAT or FAN mode.
- b. Press the **UP/DOWN** buttons to set the desired temperature.
- c. Press the **FAN** button to select the fan speed in four steps which are Auto, Low, Med or High.
- d. Press the **ON/OFF** button to start the air conditioner.

Dehumidifying Operation

- a. Press the **MODE** button to select **DRY** mode.
- b. Press the **UP/DOWN** buttons to set the desired temperature.

- c. Press the **ON/OFF** button to start the air conditioner.

Timer ON/OFF Operation

- a. Press the **TIMER** button. The remote controller shows *TIMER ON* or *TIMER OFF* icon
- b. Press the **TIMER** button again to set desired time. Each time you press the button, the time increases by 30 minutes between 0 and 10 hours and by 60 minutes between 10 and 24 hours.
- c. After setting the **TIMER ON** or **TIMER OFF** there will be a one second delay before the remote controller transmits the signal to the unit. After approximately two seconds the set temperature will re-appear on the LCD display window.

Silence Operation

Press the **FAN** button for more than two seconds to activate or disable the Silence function

Lock Function

- a. Press the **TURBO** and **HUMIDITY** buttons together two times in less than one second to lock the Controller to prevent tampering
- b. Press the **TURBO** and **HUMIDITY** together buttons again for two seconds to unlock the wireless remote controller

Swing Function

- a. Press the **Swing** button to activate parallel louver operation. Louvers oscillate up and down automatically. Press and hold the **Swing** button again to disable.

NOTE: *Pressing the **Swing** button multiple times will set the louvers at five different fixed air-flow angles.*

- b. Press **Swing** button for 2 seconds to activate upright louver operation. Louvers swing left and right automatically.

Wireless Remote Controller Set Button Function

Follow Me

Allows remote temperature sensing of the room at the remote controller location.