

PACKAGED UNITS KITS AND ACCESSORIES

507730-01
2/2019
Supersedes 8/2017

ADAPTER KIT

INSTALLATION INSTRUCTIONS FOR GASKET KIT (16C63; 617893-01) USED WITH LGH/KG 092-300 UNITS

Shipping and Packing List

Package 1 of 1 contains:

- 2- Gaskets
- 1- Adapter plate
- 4- #10-3/8" screws
- 5- #10-5/8" screws

Application

This adapter kit is used when replacing the combustion air inducer in LGH/KG 092-300 units. This kit applies to units equipped with a **round flue only**; units equipped with rectangular flues do not apply.

This kit applies to the combustion air blower change-out shown in table 1 only.

IMPORTANT - Combustion air blower is NOT provided in this kit.

TABLE 1

Existing Combustion Air Blower	Replacement Combustion Air Blower	Voltage
69M33	13U29 (618821-01)	230V
69M32	13U30 (618821-02)	460V

IMPORTANT - This adapter kit applies to units built before 12-7-2015.

Installation

- 1- Disconnect all power and shut off gas supply to unit.
- 2- Remove existing combustion air inducer and gasket from gas heat collector plate. Make note of wiring connections.
- 3- Remove screws on the collector cover plate.
- 4- Install replacement combustion air blower using parts provided in this kit. See figure 1.
- 5- Connect power and restore gas supply to unit. Refer to unit installation instructions to start gas heat.

⚠ WARNING

Improper installation, adjustment, alteration, service or maintenance can cause property damage, personal injury or loss of life. Installation and service must be performed by a licensed professional HVAC installer or equivalent, service agency, or the gas supplier

⚠ CAUTION

As with any mechanical equipment, contact with sharp sheet metal edges can result in personal injury. Take care while handling this equipment and wear gloves and protective clothing.



INSTALL ADAPTER KIT

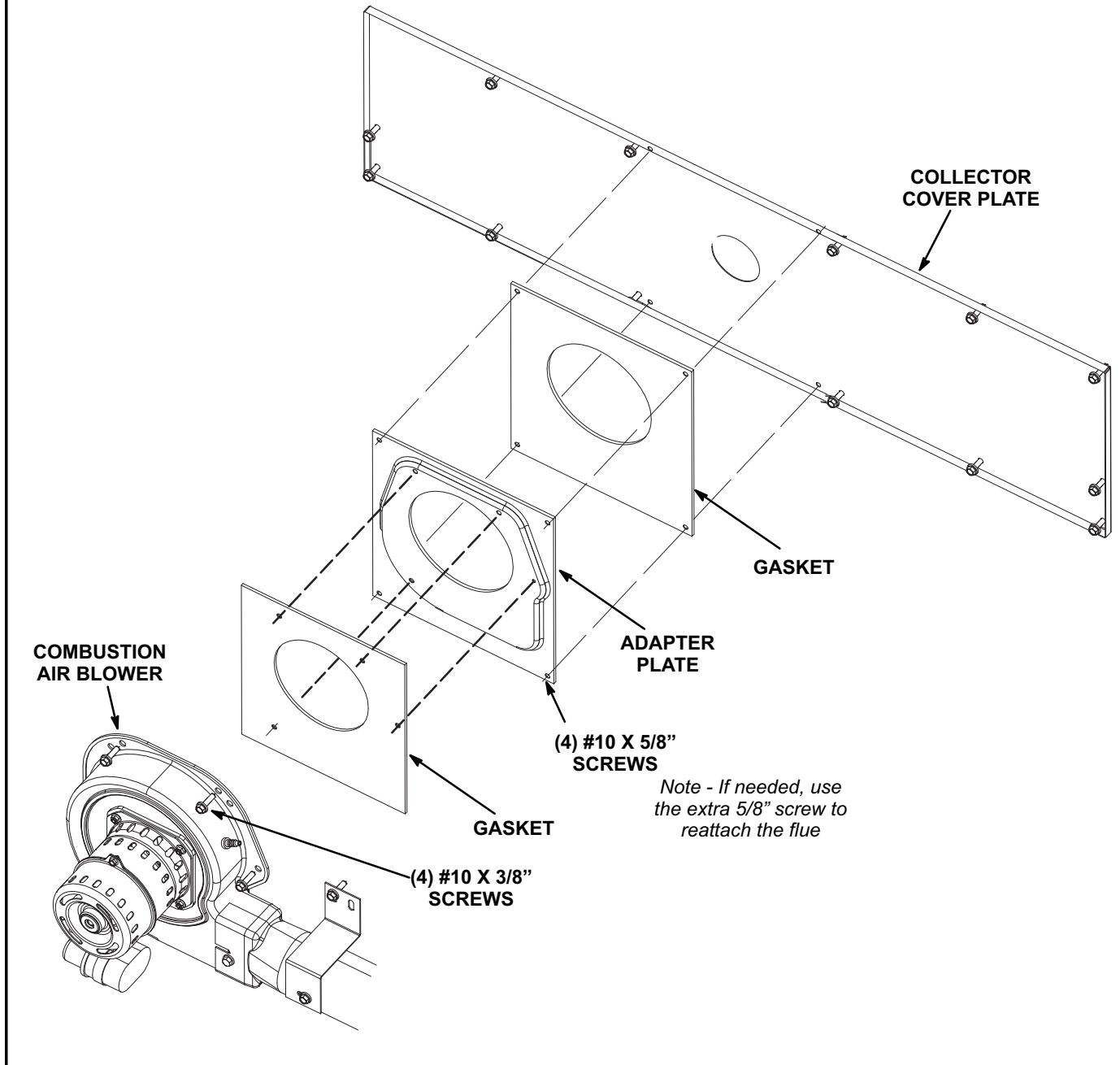


FIGURE 1