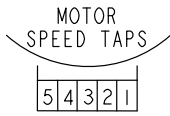
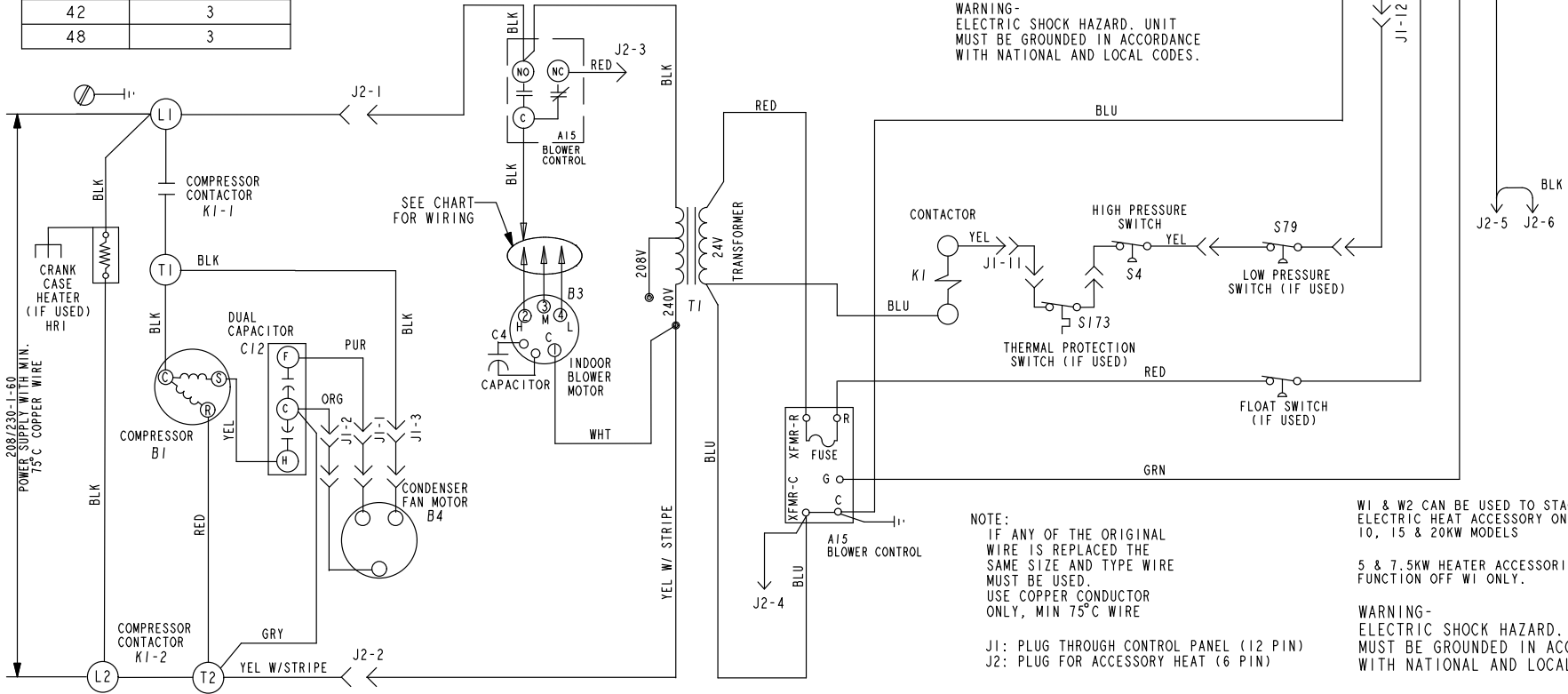


BLOWER SPEED CHART	
UNIT	FACTORY SHIPPED SETTINGS
COOLING INPUT	(BLK)
24	5
30	3
36	3
42	3
48	3



# CONNECTION DIAGRAM A/C (PSC BLOWER) SINGLE PHASE

CONTROL CIRCUIT WIRING TO  
BE 24 VOLT, N.E.C. CLASS 2  
THERMOSTAT



WARNING-  
ELECTRIC SHOCK HAZARD. UNIT  
MUST BE GROUNDED IN ACCORDANCE  
WITH NATIONAL AND LOCAL CODES.

NOTE:  
IF ANY OF THE ORIGINAL  
WIRE IS REPLACED THE  
SAME SIZE AND TYPE WIRE  
MUST BE USED.  
USE COPPER CONDUCTOR  
ONLY, MIN 75°C WIRE

J1: PLUG THROUGH CONTROL PANEL (12 PIN)  
J2: PLUG FOR ACCESSORY HEAT (6 PIN)

W1 & W2 CAN BE USED TO STAGE  
ELECTRIC HEAT ACCESSORY ON  
10, 15 & 20KW MODELS

5 & 7.5KW HEATER ACCESSORIES  
FUNCTION OFF W1 ONLY.

WARNING-  
ELECTRIC SHOCK HAZARD. UNIT  
MUST BE GROUNDED IN ACCORDANCE  
WITH NATIONAL AND LOCAL CODES.

LINE VOLTAGE FIELD INSTALLED

