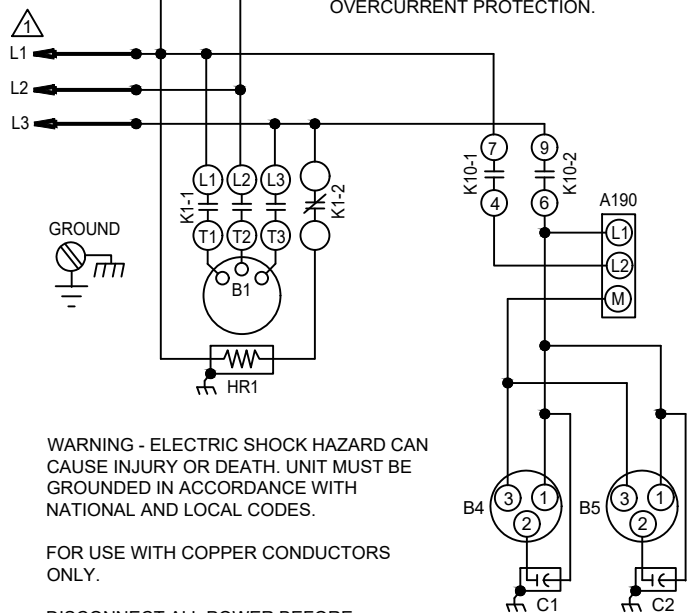


⚠ REFER TO UNIT RATING PLATE FOR MINIMUM CIRCUIT AMPACITY AND MAXIMUM OVERCURRENT PROTECTION.



WARNING - ELECTRIC SHOCK HAZARD CAN CAUSE INJURY OR DEATH. UNIT MUST BE GROUNDED IN ACCORDANCE WITH NATIONAL AND LOCAL CODES.

FOR USE WITH COPPER CONDUCTORS ONLY.

DISCONNECT ALL POWER BEFORE SERVICING.

IF ANY WIRE IN THIS APPLIANCE IS REPLACED, IT MUST BE REPLACED WITH WIRE OF LIKE SIZE RATING, INSULATION THICKNESS AND TERMINATIONS.

⚠ S9 IS USED ON ELITE 120 MODEL ONLY

KEY	DESCRIPTION COMPONENT
A188	TRANSDUCER, COMP 1
A190	CONTROL, HEAD PRESSURE
B1	COMPRESSOR 1
B4	MOTOR-OUTDOOR FAN 1
B5	MOTOR-OUTDOOR FAN 2
C1	CAPACITOR-OUTDOOR FAN 1
C2	CAPACITOR-OUTDOOR FAN 2
CB8	CIRCUIT BREAKER-TRANS T1
CMC1	TIMER-DEFROST, COMPRESSOR 1
HR1	HEATER-COMPRESSOR 1
J36	JACK-TEST, COOL
K1-1,2	CONTACTOR-COMPRESSOR 1
K8-1,2,3	RELAY-TRANSFER
K10-1,-2	RELAY-OUTDOOR FAN 1
K67-1	RELAY, STAGE 2 COOL
L1	VALVE-REVERSING
L34	SOLENOID, TWO STAGE
P36	PLUG-TEST, COOL
P45	PLUG-INPUT
S4	SWITCH-LIMIT, HI PRESS COMP 1
S6	SWITCH-DEFROST, COMPRESSOR 1
S9	SWITCH-DEFROST, COMPRESSOR 2
S24	SWITCH-LOSS OF CHARGE COMP 1
S87	SWITCH-LOW PRESSURE COMP 1
T1	TRANSFORMER-CONTROL
TB14	TERMINAL STRIP-CLASS II VOLTAGE

← DENOTES OPTIONAL COMPONENTS
 — LINE VOLTAGE, FIELD INSTALLED
 - - - CLASS II FIELD WIRING

2022/08	WIRING DIAGRAM	08/22
	538297-01	
DUAL SPEED COMPRESSOR		
ELITE 072,090,120-G,J,Y HEAT PUMP LOW AMBIENT KIT		
SECTION A 5		REV. 0
Supersedes	New Form No. 538297-01	