



SUBMITTAL DATA – WALL MOUNTED

MHB009S4S-1L – MWHB009S4-2L

SINGLE ZONE MINI-SPLIT HEAT PUMP

Job: _____
Location: _____
Schedule No.: _____
System Designation: _____

Engineer: _____
Architect: _____
Date: _____
For: Reference Approval Review Construction

FEATURES

Outdoor Unit: MHB009S4S-1L



- DC Inverter Control
- Compressor Overcurrent Protection
- Defrost Control

Indoor Unit: MWHB009S4-2L



- Pre-Heat Function
- Auto Restart
- Three Speed Fan
- Flare Connections
- Multi-Refrigerant Outlet
- LED Readout
- Wireless Remote Included

PIPING

Line Set and Elevation Guidelines	
Maximum Line Set Length ft. (m)	82 (25)
Maximum Elevation - Outdoor Unit Below/Above Indoor Unit ft. (m)	33 (10)
Liquid Line Set Diameter (in.)	1/4
Gas Line Set Diameter (in.)	3/8
Pre-Charge (ft.)	25
Additional Charge Per Ft. (oz.)	0.16

PRODUCT WARRANTY

Compressor – Seven year limited warranty
 All other covered components - Five year limited warranty

OPTIONAL ACCESSORIES

Non-Programmable Controller (M0STAT61Q-1)
 Non-Programmable Controller (M0STAT120L-1)
 Programmable Controller (M0STAT120N-1)
 Hail Guard Set (M9GARD20Q-1/24M82)



NOTE – Due to Lennox' ongoing commitment to quality, Specifications, Ratings, and Dimensions are subject to change without notice and without incurring liability. Improper installation, adjustment, alteration, service or maintenance can cause property damage or personal injury. Installation and service must be performed by a qualified installer and servicing agency.
 496049 (202312) ©2023 Lennox Industries, Inc.



SUBMITTAL DATA - WALL MOUNTED

MHB009S4S-1L - MWHB009S4-2L

SINGLE ZONE MINI-SPLIT HEAT PUMP

OUTDOOR SPECIFICATIONS

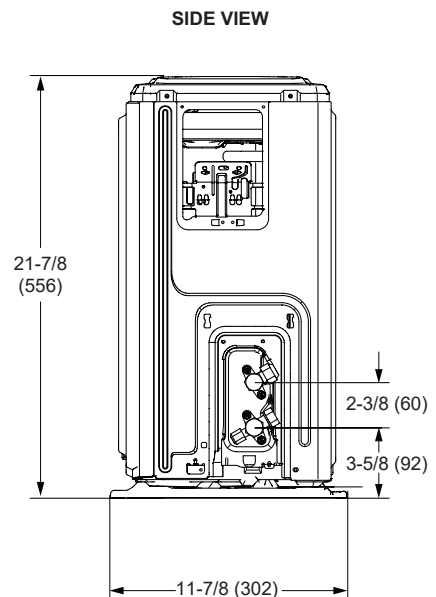
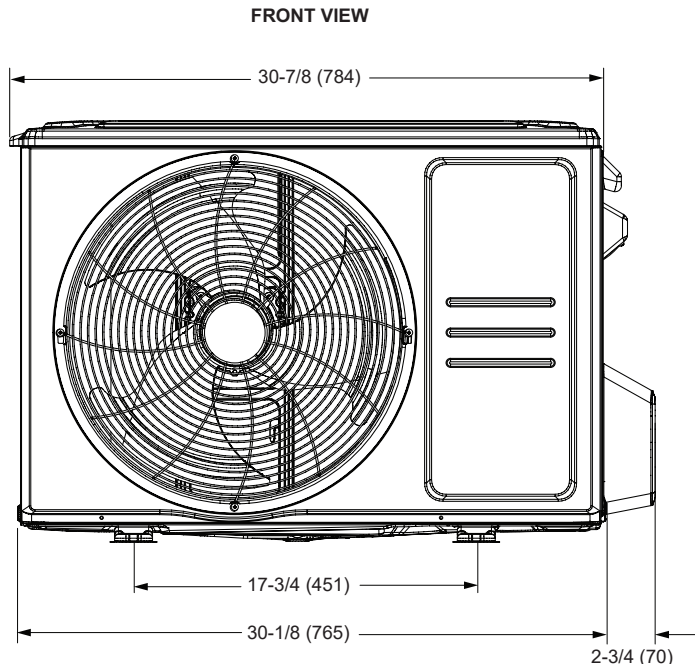
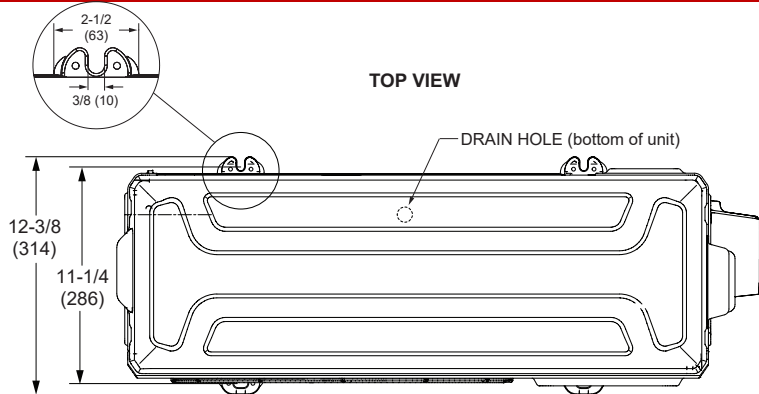
PERFORMANCE	
Cooling Capacity (Btu/h) ¹	9,000
EER2	12.5
SEER2	21.5
Heating Capacity (Btu/h) ¹	10,000
HSPF2	9.1
Outdoor Fan Total Air Volume (CFM)	1,294
Ambient Temperature Operating Range	
Cooling	5°F - 122°F
Heating	5°F - 86°F
ELECTRICAL DATA	
Power Supply (V/Hz/Φ)	115/60/1
Minimum Circuit Ampacity (A)	20
Maximum Overcurrent Protection (A)	30
Outdoor Fan Motor RLA (A)	0.4
No. of Compressors	1

GENERAL DATA		
Connection Ratio (%)	100%	
Max. # of Indoor Units	1 unit	
Sound Data (dBA)	55	
Refrigerant type	R-410A	
Factory refrigerant charge	1 lbs. 13 oz.	
DIMENSIONS		
Unit Dimensions (in)	Height	21-7/8
	Width	32-7/8
	Depth	11-1/4
Shipping Weight (lb)	64	
Net Weight (lb)	58	

NOTES

- Cooling and Heating Capacity data is rated at the following conditions:
 Cooling: 80°FDB / 67°FWB Indoor, 95°FDB Outdoor
 Heating: 70°FDB Indoor, 47°FDB / 43°FWB Outdoor

OUTDOOR DIMENSIONAL DRAWINGS - INCHES (MM)



NOTE - Due to Lennox' ongoing commitment to quality, Specifications, Ratings, and Dimensions are subject to change without notice and without incurring liability. Improper installation, adjustment, alteration, service or maintenance can cause property damage or personal injury. Installation and service must be performed by a qualified installer and servicing agency.
 496049 (202312) ©2023 Lennox Industries, Inc.



SUBMITTAL DATA – **WALL MOUNTED**

MHB009S4S-1L – MWHB009S4-2L

SINGLE ZONE MINI-SPLIT HEAT PUMP

INDOOR SPECIFICATIONS

PERFORMANCE

Airflow (CFM)	High	239
	Medium	170
	Low	137
Sound Pressure (dBA)	High	37.5
	Medium	28
	Low	20

ELECTRICAL DATA

Power Supply (V/Hz/Φ)	Supplied by ODU
Rated load amps (RLA)	6.3
Power Output (W)	20

DIMENSIONS

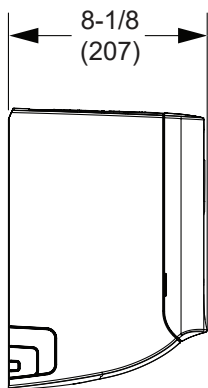
Unit Dimensions (in)	Height	11-1/2
	Width	28-3/4
	Depth	8-1/8

Unit Net/Shipping Weight (lb)	18/23
-------------------------------	-------

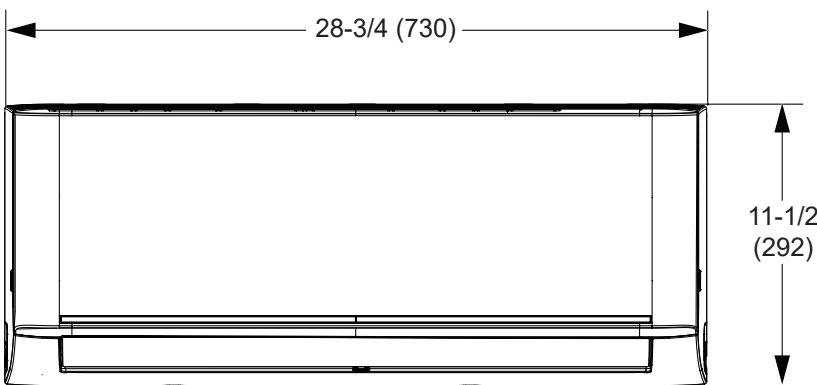
PIPING

Liquid/Gas O.D. Flare (in.)	1/4 , 3/8
Drain Connection O.D. (in.)	1

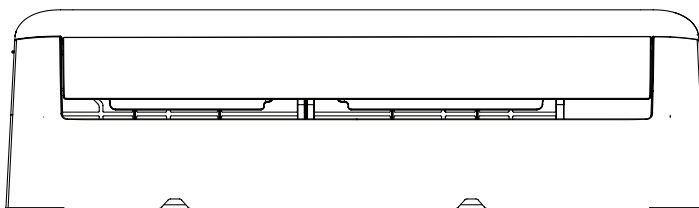
INDOOR DIMENSIONAL DRAWINGS - INCHES (MM)



SIDE VIEW



FRONT VIEW



BOTTOM VIEW

NOTE – Due to Lennox' ongoing commitment to quality, Specifications, Ratings, and Dimensions are subject to change without notice and without incurring liability. Improper installation, adjustment, alteration, service or maintenance can cause property damage or personal injury. Installation and service must be performed by a qualified installer and servicing agency.
 496049 (202312) ©2023 Lennox Industries, Inc.