



SUBMITTAL DATA – OUTDOOR
UNIT **MLB048S4M-2P**
MULTI-ZONE MINI-SPLIT HEAT PUMP

Job: _____
Location: _____
Schedule No.: _____
System Designation: _____

Engineer: _____
Architect: _____
Date: _____
For: Reference Approval Review Construction

FEATURES

Outdoor Unit: MLB048S4M-2P

Indoor Unit Options: Ducted OR Non-Ducted



- Low Ambient Cooling/Heating
- Defrost Control
- DC Inverter Control
- Base Pan Heater
- Crankcase Heater



Piping

Line Set and Elevation Guidelines

Maximum Number of Indoor Units/Zones	4
Liquid + Gas pipe (flare)	(5) 1/4 liq. + (3) 3/8 gas + (2) 1/2 gas
Maximum Pipe Length ft. (m)	262 ft. (80 m)
Maximum Line Set Length - Furthest Indoor Unit	115 ft. (35 m)
Maximum Elevation - Outdoor Unit Below/Above Indoor Unit ft. (m)	49 ft. (15m)
Pre-Charged (ft.)	123 ft.
Additional Charge of Refrigerant (oz/ft.)	0.16

PRODUCT WARRANTY

Compressor – Twelve year limited warranty*
 All other covered components - Twelve year limited warranty*
 *Product registration required

OPTIONAL ACCESSORIES

Non-Programmable Controller (M0STAT61Q-1)
 Programmable Controller (M0STAT64Q-2)
 Hail Guard Set (M9GARD21Q-1/24M83)



NOTE – Due to Lennox' ongoing commitment to quality, Specifications, Ratings, and Dimensions are subject to change without notice and without incurring liability. Improper installation, adjustment, alteration, service or maintenance can cause property damage or personal injury. Installation and service must be performed by a qualified installer and servicing agency.



SUBMITTAL DATA – OUTDOOR
UNIT ML**B048**S4M-2P
MULTI-ZONE MINI-SPLIT HEAT PUMP

OUTDOOR SPECIFICATIONS

PERFORMANCE

Cooling Capacity (Btu/h) ¹	Ducted	48,000
	Non-Ducted	48,000
EER2	Ducted	11.7
	Non-Ducted	11.7
SEER2	Ducted	20.9
	Non-Ducted	21.8
Heating Capacity (Btu/h) ¹	Ducted	49,000
	Non-Ducted	49,000
HSPF2	Ducted	8.9
	Non-Ducted	9.8
Outdoor Fan Total Air Volume (CFM)		4500
Ambient Temperature Operating Range		
Cooling		-22 - 122°F
Heating		-22 - 86°F

ELECTRICAL DATA

Power Supply (V/Hz/φ)	208-230/60/1
Minimum Circuit Ampacity (A)	42.0
Maximum Overcurrent Protection (A)	50.0
Compressor RLA (A)	30
No. of Compressors	1

GENERAL DATA

Connection Ratio (%)	66% to 133%
Max. # of Indoor Units	Up to 5 units
Sound Data (dBA) - Cooling/Heating	65/65
Refrigerant type	R-410A
Factory refrigerant charge	10 lbs. 2 oz.

DIMENSIONS

Unit Dimensions (in)	Height	52-1/2
	Width	41-1/2
	Depth	16-3/8
Shipping Weight (lb)		270
Net Weight (lb)		238

NOTES

- Cooling and Heating Capacity data is rated at the following conditions:
Cooling: 80°FDB / 67°FWB Indoor, 95°FDB Outdoor
Heating: 70°FDB Indoor, 47°FDB / 43°FWB Outdoor

NOTE – Due to Lennox' ongoing commitment to quality, Specifications, Ratings, and Dimensions are subject to change without notice and without incurring liability. Improper installation, adjustment, alteration, service or maintenance can cause property damage or personal injury. Installation and service must be performed by a qualified installer and servicing agency.

Multi-Zone System Combinations

NOTE - For multi-zone systems, the total capacity of all indoor units must be 66% to 133% of the outdoor unit capacity.

Outdoor Unit Model No.	Number of Zones	Indoor Unit Capacity					Nominal Cooling Capacity at Rated System Capacity (Btuh)					Nominal Heating Capacity at Rated System Capacity (Btuh)				
		#1	#2	#3	#4	#5	#1	#2	#3	#4	#5	#1	#2	#3	#4	#5
MLB048S4M	1	30K	--	---	--	---	27,000	--	---	--	---	28,000	--	---	--	---
		36K	--	---	--	---	33,000	--	---	--	---	34,000	--	---	--	---
	2	24K	9K	--	---	--	24,000	9,000	--	---	--	25,100	9,400	--	---	--
		30K	9K	--	---	--	29,000	8,000	--	---	--	30,400	9,100	--	---	--
		24K	12K	--	---	--	23,000	11,000	--	---	--	24,800	12,400	--	---	--
		30K	12K	--	---	--	28,000	11,000	--	---	--	29,600	11,900	--	---	--
		18K	18K	--	---	--	17,000	17,000	--	---	--	18,600	18,600	--	---	--
		24K	18K	--	---	--	22,000	17,000	--	---	--	23,700	17,800	--	---	--
		30K	18K	--	---	--	26,000	15,000	--	---	--	27,600	16,600	--	---	--
		24K	24K	--	---	--	21,000	21,000	--	---	--	22,000	22,000	--	---	--
		30K	24K	--	---	--	23,000	18,000	--	---	--	25,000	20,000	--	---	--
	30K	30K	--	---	--	19,000	19,000	--	---	--	21,700	21,700	--	---	--	
	3	24K	6K	6K	--	---	24,000	6,000	6,000	--	---	25,500	6,400	6,400	--	---
		30K	6K	6K	--	---	29,000	6,000	6,000	--	---	30,100	6,100	6,100	--	---
		24K	9K	6K	--	---	23,000	9,000	6,000	--	---	24,800	9,300	6,200	--	---
		30K	9K	6K	--	---	28,000	8,000	6,000	--	---	29,300	8,800	5,900	--	---
		18K	12K	6K	--	---	18,000	12,000	6,000	--	---	19,100	12,800	6,400	--	---
		24K	12K	6K	--	---	23,000	11,000	6,000	--	---	24,100	12,100	6,100	--	---
		30K	12K	6K	--	---	27,000	11,000	5,000	--	---	28,600	11,500	5,800	--	---
		18K	18K	6K	--	---	17,000	17,000	6,000	--	---	18,100	18,100	6,100	--	---
		24K	18K	6K	--	---	22,000	16,000	5,000	--	---	22,900	17,200	5,800	--	---
		30K	18K	6K	--	---	26,000	15,000	5,000	--	---	27,300	16,400	5,500	--	---
		24K	24K	6K	--	---	20,000	20,000	5,000	--	---	21,800	21,800	5,500	--	---
		30K	24K	6K	--	---	24,000	19,000	5,000	--	---	26,200	21,000	5,300	--	---
		18K	9K	9K	--	---	18,000	9,000	9,000	--	---	19,100	9,600	9,600	--	---
		24K	9K	9K	--	---	23,000	9,000	9,000	--	---	24,100	9,100	9,100	--	---
		30K	9K	9K	--	---	27,000	8,000	8,000	--	---	28,600	8,600	8,600	--	---
		12K	12K	9K	--	---	12,000	12,000	9,000	--	---	13,200	13,200	9,900	--	---
		18K	12K	9K	--	---	18,000	12,000	9,000	--	---	18,600	12,400	9,300	--	---
		24K	12K	9K	--	---	22,000	11,000	8,000	--	---	23,500	11,800	8,800	--	---
		30K	12K	9K	--	---	26,000	11,000	8,000	--	---	27,900	11,200	8,400	--	---
		18K	18K	9K	--	---	17,000	17,000	8,000	--	---	17,600	17,600	8,800	--	---
		24K	18K	9K	--	---	21,000	16,000	8,000	--	---	22,300	16,800	8,400	--	---
		30K	18K	9K	--	---	25,000	15,000	7,000	--	---	26,700	16,100	8,100	--	---
		24K	24K	9K	--	---	20,000	20,000	7,000	--	---	21,400	21,400	8,100	--	---
		30K	24K	9K	--	---	23,000	19,000	7,000	--	---	25,700	20,600	7,800	--	---
		12K	12K	12K	--	---	12,000	12,000	12,000	--	---	12,800	12,800	12,800	--	---
		18K	12K	12K	--	---	17,000	11,000	11,000	--	---	18,100	12,100	12,100	--	---
		24K	12K	12K	--	---	22,000	11,000	11,000	--	---	22,900	11,500	11,500	--	---
		30K	12K	12K	--	---	26,000	10,000	10,000	--	---	27,300	10,900	10,900	--	---
		18K	18K	12K	--	---	16,000	16,000	11,000	--	---	17,200	17,200	11,500	--	---
		24K	18K	12K	--	---	20,000	15,000	10,000	--	---	21,800	16,400	10,900	--	---
30K	18K	12K	--	---	24,000	14,000	10,000	--	---	26,200	15,700	10,500	--	---		
24K	24K	12K	--	---	19,000	19,000	10,000	--	---	21,000	21,000	10,500	--	---		
18K	18K	18K	--	---	15,000	15,000	15,000	--	---	16,400	16,400	16,400	--	---		
24K	18K	18K	--	---	19,000	14,000	14,000	--	---	21,000	15,700	15,700	--	---		

¹ One outdoor unit may be matched with one indoor unit for single zone applications. Additional indoor units can be added at a later date for multi-zone applications (if applicable).

Multi-Zone System Combinations

NOTE - For multi-zone systems, the total capacity of all indoor units must be 66% to 133% of the outdoor unit capacity.

Outdoor Unit Model No.	Number of Zones	Indoor Unit Capacity					Nominal Cooling Capacity at Rated System Capacity (Btuh)					Nominal Heating Capacity at Rated System Capacity (Btuh)				
		#1	#2	#3	#4	#5	#1	#2	#3	#4	#5	#1	#2	#3	#4	#5
MLB048S4M	4	18K	6K	6K	6K	--	18,000	6,000	6,000	6,000	--	---	19,400	6,500	6,500	6,500
		24K	6K	6K	6K	--	24,000	6,000	6,000	6,000	--	---	25,100	6,300	6,300	6,300
		30K	6K	6K	6K	--	29,000	6,000	6,000	6,000	--	---	30,100	6,100	6,100	6,100
		18K	9K	6K	6K	--	18,000	9,000	6,000	6,000	--	---	19,100	9,600	6,400	6,400
		24K	9K	6K	6K	--	24,000	9,000	6,000	6,000	--	---	24,600	9,300	6,200	6,200
		30K	9K	6K	6K	--	28,000	8,000	6,000	6,000	--	---	29,200	8,800	5,900	5,900
		12K	12K	6K	6K	--	12,000	12,000	6,000	6,000	--	---	12,900	12,900	6,500	6,500
		18K	12K	6K	6K	--	18,000	12,000	6,000	6,000	--	---	18,900	12,600	6,300	6,300
		24K	12K	6K	6K	--	23,000	11,000	6,000	6,000	--	---	24,100	12,100	6,100	6,100
		30K	12K	6K	6K	--	27,000	11,000	5,000	5,000	--	---	28,200	11,300	5,700	5,700
		18K	18K	6K	6K	--	17,000	17,000	6,000	6,000	--	---	18,100	18,100	6,100	6,100
		24K	18K	6K	6K	--	22,000	16,000	5,000	5,000	--	---	22,600	16,900	5,700	5,700
		30K	18K	6K	6K	--	25,000	15,000	5,000	5,000	--	---	25,800	15,500	5,200	5,200
		24K	24K	6K	6K	--	20,000	20,000	5,000	5,000	--	---	20,700	20,700	5,200	5,200
		12K	9K	9K	6K	--	12,000	9,000	9,000	6,000	--	---	12,900	9,700	9,700	6,500
		18K	9K	9K	6K	--	18,000	9,000	9,000	6,000	--	---	18,900	9,500	9,500	6,300
		24K	9K	9K	6K	--	23,000	9,000	9,000	6,000	--	---	24,100	9,100	9,100	6,100
		30K	9K	9K	6K	--	27,000	8,000	8,000	5,000	--	---	28,200	8,500	8,500	5,700
		12K	12K	9K	6K	--	12,000	12,000	9,000	6,000	--	---	12,800	12,800	9,600	6,400
		18K	12K	9K	6K	--	18,000	12,000	9,000	6,000	--	---	18,500	12,300	9,300	6,200
		24K	12K	9K	6K	--	22,000	11,000	8,000	6,000	--	---	23,400	11,700	8,800	5,900
		30K	12K	9K	6K	--	26,000	10,000	8,000	5,000	--	---	27,100	10,900	8,200	5,500
		18K	18K	9K	6K	--	17,000	17,000	8,000	6,000	--	---	17,500	17,500	8,800	5,900
		24K	18K	9K	6K	--	21,000	16,000	8,000	5,000	--	---	21,700	16,300	8,200	5,500
		30K	18K	9K	6K	--	24,000	14,000	7,000	5,000	--	---	24,500	14,700	7,400	4,900
		12K	12K	12K	6K	--	12,000	12,000	12,000	6,000	--	---	12,600	12,600	12,600	6,300
		18K	12K	12K	6K	--	17,000	11,000	11,000	6,000	--	---	18,100	12,100	12,100	6,100
		24K	12K	12K	6K	--	22,000	11,000	11,000	5,000	--	---	22,600	11,300	11,300	5,700
		30K	12K	12K	6K	--	25,000	10,000	10,000	5,000	--	---	25,800	10,400	10,400	5,200
		18K	18K	12K	6K	--	16,000	16,000	11,000	5,000	--	---	16,900	16,900	11,300	5,700
		24K	18K	12K	6K	--	20,000	15,000	10,000	5,000	--	---	20,700	15,500	10,400	5,200
		9K	9K	9K	9K	--	9,000	9,000	9,000	9,000	--	---	9,700	9,700	9,700	9,700
		12K	9K	9K	9K	--	12,000	9,000	9,000	9,000	--	---	12,800	9,600	9,600	9,600
		18K	9K	9K	9K	--	18,000	9,000	9,000	9,000	--	---	18,500	9,300	9,300	9,300
		24K	9K	9K	9K	--	22,000	8,000	8,000	8,000	--	---	23,400	8,800	8,800	8,800
		30K	9K	9K	9K	--	26,000	8,000	8,000	8,000	--	---	27,100	8,200	8,200	8,200
12K	12K	9K	9K	--	12,000	12,000	9,000	9,000	--	---	12,600	12,600	9,500	9,500		
18K	12K	9K	9K	--	17,000	11,000	9,000	9,000	--	---	18,100	12,100	9,100	9,100		
24K	12K	9K	9K	--	22,000	11,000	8,000	8,000	--	---	22,600	11,300	8,500	8,500		

¹ One outdoor unit may be matched with one indoor unit for single zone applications. Additional indoor units can be added at a later date for multi-zone applications (if applicable).

Multi-Zone System Combinations

NOTE - For multi-zone systems, the total capacity of all indoor units must be 66% to 133% of the outdoor unit capacity.

Outdoor Unit Model No.	Number of Zones	Indoor Unit Capacity					Nominal Cooling Capacity at Rated System Capacity (Btuh)					Nominal Heating Capacity at Rated System Capacity (Btuh)					
		#1	#2	#3	#4	#5	#1	#2	#3	#4	#5	#1	#2	#3	#4	#5	
MLB048S4M	4	30K	12K	9K	9K	--	25,000	10,000	7,000	7,000	--	25,800	10,400	7,800	7,800	--	
		18K	18K	9K	9K	--	16,000	16,000	8,000	8,000	--	16,900	16,900	8,500	8,500	--	
		24K	18K	9K	9K	--	20,000	15,000	7,000	7,000	--	20,700	15,500	7,800	7,800	--	
		12K	12K	12K	9K	--	12,000	12,000	12,000	9,000	--	12,300	12,300	12,300	9,300	--	
		18K	12K	12K	9K	--	17,000	11,000	11,000	8,000	--	17,500	11,700	11,700	8,800	--	
		24K	12K	12K	9K	--	21,000	10,000	10,000	8,000	--	21,700	10,900	10,900	8,200	--	
		30K	12K	12K	9K	--	24,000	9,000	9,000	7,000	--	24,500	9,800	9,800	7,400	--	
		18K	18K	12K	9K	--	16,000	16,000	10,000	8,000	--	16,300	16,300	10,900	8,200	--	
		24K	18K	12K	9K	--	19,000	14,000	9,000	7,000	--	19,600	14,700	9,800	7,400	--	
		12K	12K	12K	12K	--	11,000	11,000	11,000	11,000	--	12,100	12,100	12,100	12,100	--	
		18K	12K	12K	12K	--	16,000	11,000	11,000	11,000	--	16,900	11,300	11,300	11,300	--	
		24K	12K	12K	12K	--	20,000	10,000	10,000	10,000	--	20,700	10,400	10,400	10,400	--	
	18K	18K	12K	12K	--	15,000	15,000	10,000	10,000	--	15,500	15,500	10,400	10,400	--		
		5	9K	6K	6K	6K	6K	9,000	6,000	6,000	6,000	6,000	10,000	7,000	7,000	7,000	7,000
	12K		6K	6K	6K	6K	6K	12,000	6,000	6,000	6,000	6,000	13,000	6,000	6,000	6,000	6,000
	18K		6K	6K	6K	6K	6K	18,000	6,000	6,000	6,000	6,000	19,000	6,000	6,000	6,000	6,000
	24K		6K	6K	6K	6K	6K	24,000	6,000	6,000	6,000	6,000	25,000	6,000	6,000	6,000	6,000
	30K		6K	6K	6K	6K	6K	28,000	6,000	6,000	6,000	6,000	29,000	5,000	5,000	5,000	5,000
	9K		9K	6K	6K	6K	6K	9,000	9,000	6,000	6,000	6,000	10,000	10,000	6,000	6,000	6,000
	12K		9K	6K	6K	6K	6K	12,000	9,000	6,000	6,000	6,000	13,000	10,000	6,000	6,000	6,000
	18K		9K	6K	6K	6K	6K	18,000	9,000	6,000	6,000	6,000	19,000	9,000	6,000	6,000	6,000
	24K		9K	6K	6K	6K	6K	23,000	9,000	6,000	6,000	6,000	24,000	9,000	6,000	6,000	6,000
	30K		9K	6K	6K	6K	6K	27,000	8,000	5,000	5,000	5,000	28,000	8,000	5,000	5,000	5,000
	12K		12K	6K	6K	6K	6K	12,000	12,000	6,000	6,000	6,000	13,000	13,000	6,000	6,000	6,000
	18K		12K	6K	6K	6K	6K	18,000	12,000	6,000	6,000	6,000	18,000	12,000	6,000	6,000	6,000
	24K		12K	6K	6K	6K	6K	22,000	11,000	6,000	6,000	6,000	23,000	11,000	5,000	5,000	5,000
	30K		12K	6K	6K	6K	6K	26,000	10,000	5,000	5,000	5,000	27,000	10,000	5,000	5,000	5,000
	18K		18K	6K	6K	6K	6K	17,000	17,000	6,000	6,000	6,000	17,000	17,000	5,000	5,000	5,000
	24K		18K	6K	6K	6K	6K	21,000	16,000	5,000	5,000	5,000	21,000	16,000	5,000	5,000	5,000
	9K		9K	9K	6K	6K	6K	9,000	9,000	9,000	6,000	6,000	10,000	10,000	10,000	6,000	6,000
	12K		9K	9K	6K	6K	6K	12,000	9,000	9,000	6,000	6,000	13,000	9,000	9,000	6,000	6,000
	18K		9K	9K	6K	6K	6K	18,000	9,000	9,000	6,000	6,000	18,000	9,000	9,000	6,000	6,000
	24K		9K	9K	6K	6K	6K	22,000	8,000	8,000	6,000	6,000	23,000	8,000	8,000	5,000	5,000
	30K		9K	9K	6K	6K	6K	26,000	8,000	8,000	5,000	5,000	27,000	8,000	8,000	5,000	5,000
	12K		12K	9K	6K	6K	6K	12,000	12,000	9,000	6,000	6,000	12,000	12,000	9,000	6,000	6,000
	18K		12K	9K	6K	6K	6K	17,000	12,000	9,000	6,000	6,000	18,000	12,000	9,000	6,000	6,000
	24K		12K	9K	6K	6K	6K	22,000	11,000	8,000	5,000	5,000	22,000	11,000	8,000	5,000	5,000
	30K		12K	9K	6K	6K	6K	24,000	10,000	7,000	5,000	5,000	26,000	10,000	7,000	5,000	5,000
	18K		18K	9K	6K	6K	6K	16,000	16,000	8,000	5,000	5,000	17,000	17,000	8,000	5,000	5,000
	24K		18K	9K	6K	6K	6K	20,000	15,000	7,000	5,000	5,000	21,000	15,000	7,000	5,000	5,000
12K	12K		12K	6K	6K	6K	12,000	12,000	12,000	6,000	6,000	12,000	12,000	12,000	6,000	6,000	
18K	12K	12K	6K	6K	6K	17,000	11,000	11,000	6,000	6,000	17,000	11,000	11,000	5,000	5,000		
24K	12K	12K	6K	6K	6K	21,000	10,000	10,000	5,000	5,000	21,000	10,000	10,000	5,000	5,000		

¹ One outdoor unit may be matched with one indoor unit for single zone applications. Additional indoor units can be added at a later date for multi-zone applications (if applicable).



SUBMITTAL DATA – OUTDOOR
UNIT **MLB048S4M-2P**
MULTI-ZONE MINI-SPLIT HEAT PUMP

Multi-Zone System Combinations

NOTE - For multi-zone systems, the total capacity of all indoor units must be 66% to 133% of the outdoor unit capacity.

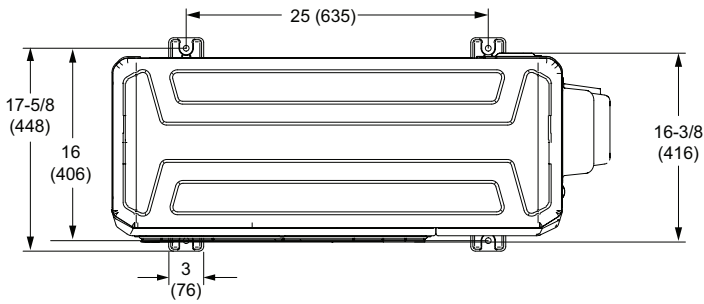
Outdoor Unit Model No.	Number of Zones	Indoor Unit Capacity					Nominal Cooling Capacity at Rated System Capacity (Btuh)					Nominal Heating Capacity at Rated System Capacity (Btuh)				
		#1	#2	#3	#4	#5	#1	#2	#3	#4	#5	#1	#2	#3	#4	#5
MLB048S4M	5	18K	18K	12K	6K	6K	16,000	16,000	10,000	5,000	5,000	16,000	16,000	10,000	5,000	5,000
		9K	9K	9K	9K	6K	9,000	9,000	9,000	9,000	6,000	9,000	9,000	9,000	9,000	6,000
		12K	9K	9K	9K	6K	12,000	9,000	9,000	9,000	6,000	12,000	9,000	9,000	9,000	6,000
		18K	9K	9K	9K	6K	17,000	9,000	9,000	9,000	6,000	18,000	9,000	9,000	9,000	6,000
		24K	9K	9K	9K	6K	22,000	8,000	8,000	8,000	5,000	22,000	8,000	8,000	8,000	5,000
		30K	9K	9K	9K	6K	24,000	7,000	7,000	7,000	5,000	26,000	7,000	7,000	7,000	5,000
		12K	12K	9K	9K	6K	12,000	12,000	9,000	9,000	6,000	12,000	12,000	9,000	9,000	6,000
		18K	12K	9K	9K	6K	17,000	11,000	8,000	8,000	6,000	17,000	11,000	8,000	8,000	5,000
		24K	12K	9K	9K	6K	21,000	10,000	8,000	8,000	5,000	21,000	10,000	8,000	8,000	5,000
		18K	18K	9K	9K	6K	16,000	16,000	8,000	8,000	5,000	16,000	16,000	8,000	8,000	5,000
		12K	12K	12K	9K	6K	12,000	12,000	12,000	9,000	6,000	12,000	12,000	12,000	9,000	6,000
		18K	12K	12K	9K	6K	16,000	11,000	11,000	8,000	5,000	17,000	11,000	11,000	8,000	5,000
		24K	12K	12K	9K	6K	20,000	10,000	10,000	7,000	5,000	21,000	10,000	10,000	7,000	5,000
		12K	12K	12K	12K	6K	11,000	11,000	11,000	11,000	6,000	11,000	11,000	11,000	11,000	5,000
		18K	12K	12K	12K	6K	16,000	10,000	10,000	10,000	5,000	16,000	10,000	10,000	10,000	5,000
		9K	9K	9K	9K	9K	9,000	9,000	9,000	9,000	9,000	9,500	9,500	9,500	9,500	9,500
		12K	9K	9K	9K	9K	12,000	9,000	9,000	9,000	9,000	12,000	9,000	9,000	9,000	9,000
		18K	9K	9K	9K	9K	17,000	8,000	8,000	8,000	8,000	17,000	8,000	8,000	8,000	8,000
		24K	9K	9K	9K	9K	21,000	8,000	8,000	8,000	8,000	21,000	8,000	8,000	8,000	8,000
		12K	12K	9K	9K	9K	12,000	12,000	9,000	9,000	9,000	12,000	12,000	9,000	9,000	9,000
18K	12K	9K	9K	9K	16,000	11,000	8,000	8,000	8,000	17,000	11,000	8,000	8,000	8,000		
24K	12K	9K	9K	9K	20,000	10,000	7,000	7,000	7,000	21,000	10,000	7,000	7,000	7,000		
12K	12K	12K	9K	9K	11,000	11,000	11,000	8,000	8,000	11,000	11,000	11,000	8,000	8,000		
18K	12K	12K	9K	9K	16,000	10,000	10,000	8,000	8,000	16,000	10,000	10,000	8,000	8,000		
12K	12K	12K	12K	9K	11,000	11,000	11,000	11,000	8,000	11,000	11,000	11,000	11,000	8,000		
12K	12K	12K	12K	12K	10,000	10,000	10,000	10,000	10,000	10,000	10,000	10,000	10,000	10,000		

¹ One outdoor unit may be matched with one indoor unit for single zone applications. Additional indoor units can be added at a later date for multi-zone applications (if applicable).

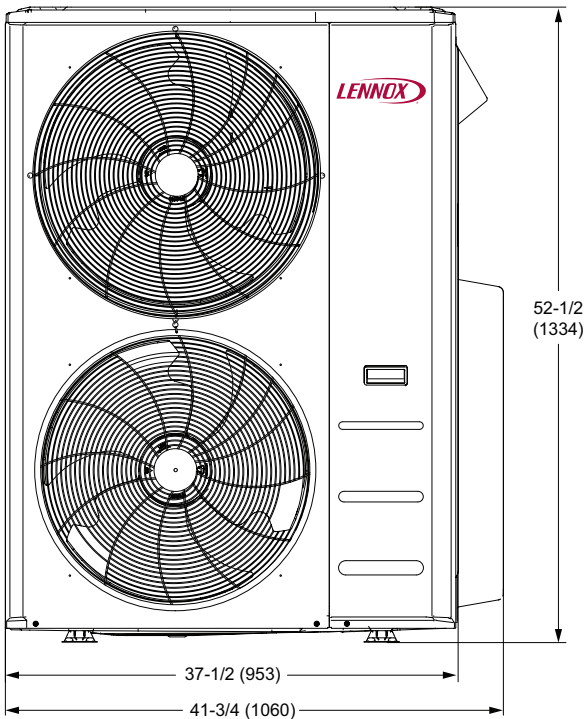


SUBMITTAL DATA - OUTDOOR
 UNIT **MLB048S4M-2P**
MULTI-ZONE MINI-SPLIT HEAT PUMP

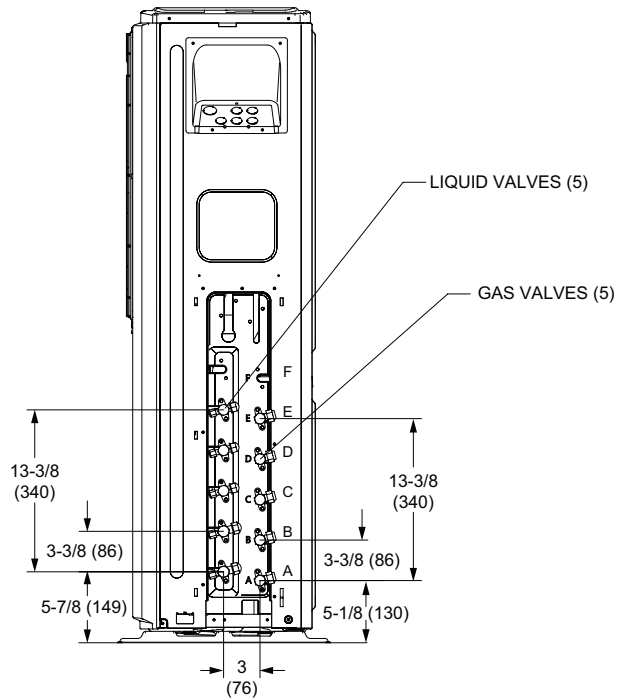
OUTDOOR DIMENSIONAL DRAWINGS - INCHES (MM)



TOP VIEW



FRONT VIEW



SIDE VIEW

NOTE - Due to Lennox' ongoing commitment to quality, Specifications, Ratings, and Dimensions are subject to change without notice and without incurring liability. Improper installation, adjustment, alteration, service or maintenance can cause property damage or personal injury. Installation and service must be performed by a qualified installer and servicing agency.
 495985 (202306) ©2023 Lennox Industries, Inc.