

**BOTTOM GAS PIPING KIT**

**INSTALLATION INSTRUCTIONS FOR GAS PIPING KIT (54W95; 603446-01)  
 USED ON LGH/KG 092-150 PACKAGED GAS UNITS**

**Shipping and Packing List**

**Package 1 of 1 Contains:**

- 7- Elbows
- 1- Union
- 1- Valve
- 2- Grommets
- 1- Tee
- 1- Cap
- 9- Nipples

**Application**

The gas piping kit is used on LG/KG units.

**Installation**

Before connecting piping, check with gas company or authorities having jurisdiction for local code requirements. When installing gas supply piping, length of run from gas meter must be considered in determining pipe size for 0.5" w.c. (.12kPa) maximum pressure drop. Do not use supply pipe smaller than unit gas connection.

For natural gas units, operating pressure at the unit gas connection must be a minimum of 4.7" w.c. (1.17kPa) and a maximum of 10.5" (2.60kPa) w.c.

**⚠ WARNING**

**Improper installation, adjustment, alteration, service or maintenance can cause property damage, personal injury or loss of life. Installation and service must be performed by a qualified installer, service agency or the gas supplier**

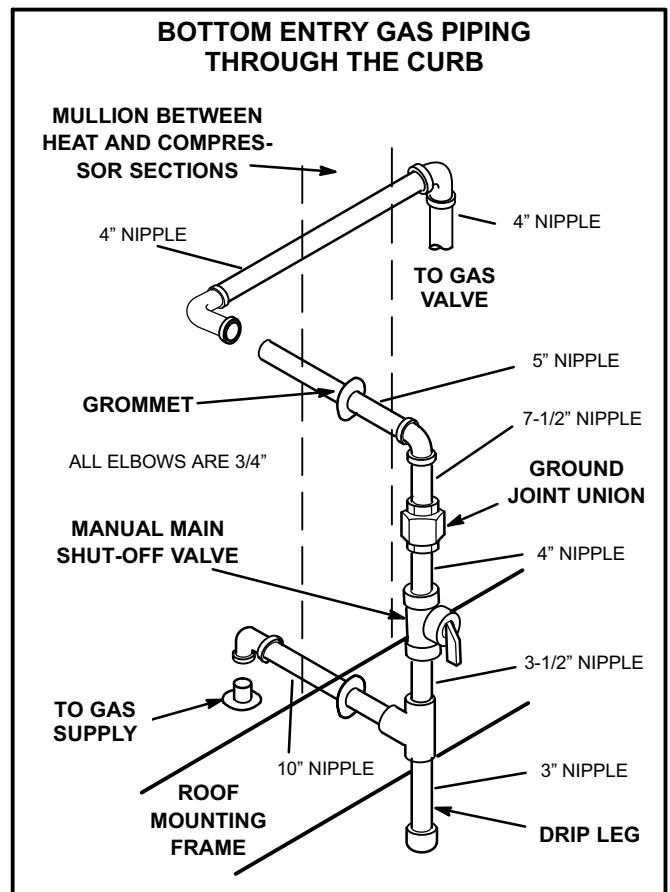
**⚠ CAUTION**

**Danger of sharp metallic edges. Can cause injury. Take care when servicing unit to avoid accidental contact with sharp edges.**

For LP/propane gas units, operating pressure at the unit gas connection must be a minimum of 10.5" w.c. (2.61kPa) and a maximum of 13.0" w.c. (3.24kPa).

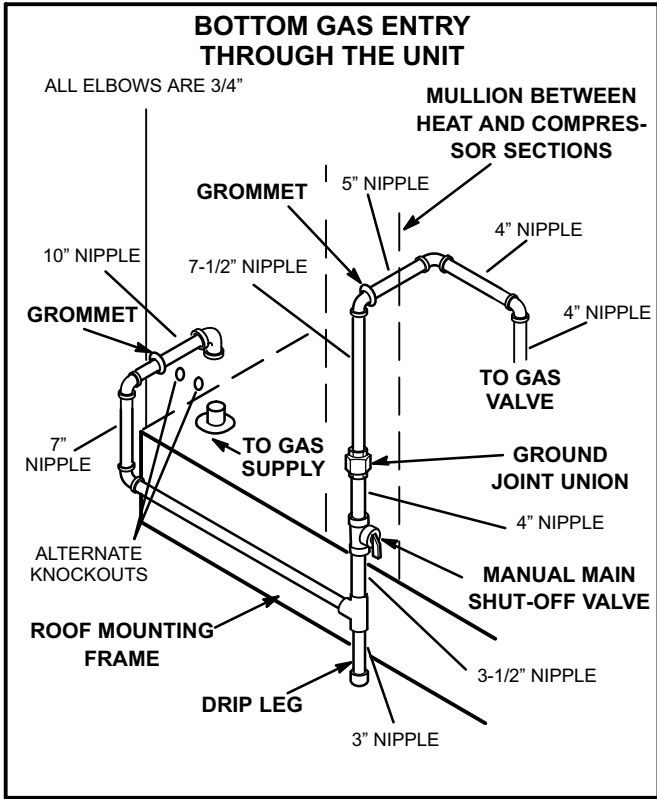
Compounds used on threaded joints of gas piping shall be resistant to the action of liquified petroleum gases.

- 1- Make sure all power and gas supply to unit are off.
- 2- Complete gas piping as shown figure 1 when routing piping through the curb and figure 2 when routing piping through the unit.
- 3- Use installation instruction provided with unit for pressure and leak testing gas piping and unit start-up.



**FIGURE 1**





**FIGURE 2**