

VPB



Low Ambient Heat Pump Outdoor Units | **R-410A** | 60Hz

**COMMERCIAL
PRODUCT SPECIFICATIONS (EHB)**

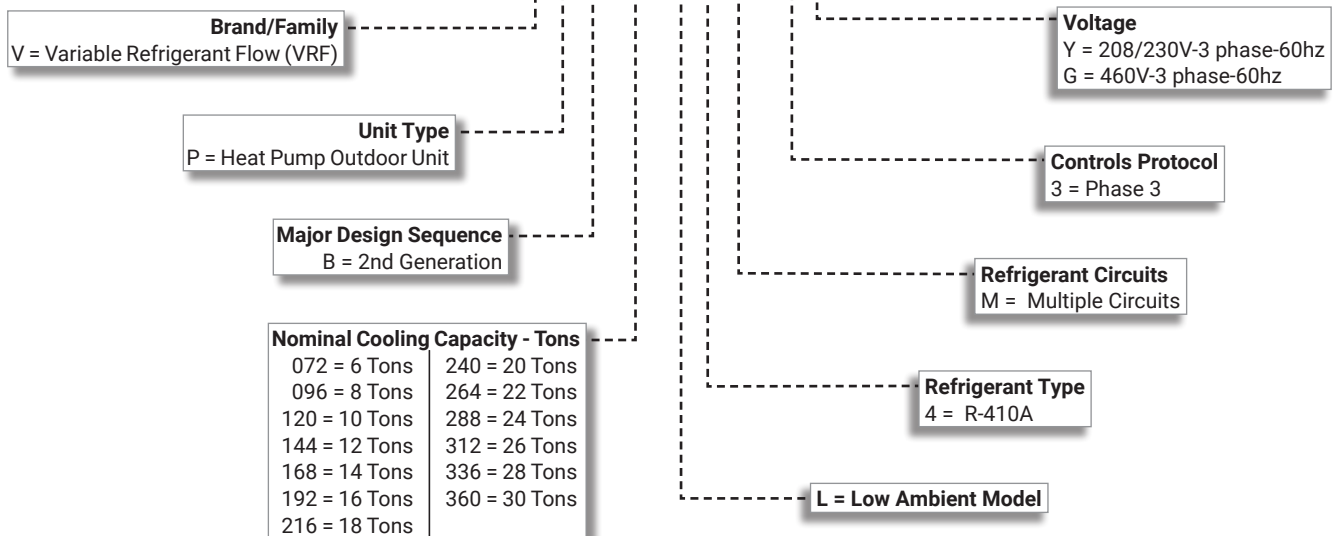
6 to 30 Tons



ASHRAE
Standard
90.1

MODEL NUMBER IDENTIFICATION

V P B 072 L 4 M - 3 Y



CONTENTS

AHRI Ratings	8
Approvals And Warranty	3
Apps And Software	5
Capacity Tables Index	2
Dimensions - Piping Details	17
Dimensions - Unit	15
Electrical Data	7
Features And Benefits	3
Installation Clearances	18
Model Number Identification	1
Optional Accessories	6
Sound Data	12
Specifications - Individual Outdoor Units	7
System Combinations	6

CAPACITY TABLES INDEX

Cooling Capacity - Single Module VPB072L4	19
Heating Capacity - Single Module VPB072L4	24
Cooling Capacity - Single Module VPB096L4	29
Heating Capacity - Single Module VPB096L4	34
Cooling Capacity - Single Module VPB120L4	39
Heating Capacity - Single Module VPB120L4	44
Cooling Capacity - Two Module VPB144L4	49
Heating Capacity - Two Module VPB144L4	54
Cooling Capacity - Two Module VPB168L4	59
Heating Capacity - Two Module VPB168L4	64
Cooling Capacity - Two Module VPB192L4	69
Heating Capacity - Two Module VPB192L4	74
Cooling Capacity - Two Module VPB216L4	79
Heating Capacity - Two Module VPB216L4	84
Cooling Capacity - Two Module VPB240L4	89
Heating Capacity - Two Module VPB240L4	94
Cooling Capacity - Three Module VPB264L4	99
Heating Capacity - Three Module VPB264L4	104
Cooling Capacity - Three Module VPB288L4	109
Heating Capacity - Three Module VPB288L4	114
Cooling Capacity - Three Module VPB312L4	119
Heating Capacity - Three Module VPB312L4	124
Cooling Capacity - Three Module VPB336L4	129
Heating Capacity - Three Module VPB336L4	134
Cooling Capacity - Three Module VPB360L4	139
Heating Capacity - Three Module VPB360L4	144

APPROVALS AND WARRANTY

APPROVALS

- AHRI Certified to AHRI Standard 1230-2021
- All models are ASHRAE 90.1 compliant
- Units are ETL certified for the U.S. and Canada

WARRANTY

- Compressor and all Covered Components - Limited ten years for qualifying installations

FEATURES AND BENEFITS

Overview

- Variable-capacity outdoor units modulate the amount of refrigerant needed based on cooling and heating demands allowing for reduced energy usage at partial load conditions

Operation Range

- System will operate at temperatures ranging from -10°F to 125°F in cooling mode and -22°F to 80°F in heating mode

Capacity

- Ranges from 6 to 30 tons
- Up to 64 indoor units (with capacity up to 130% of total outdoor units) can be connected to one refrigeration system.

Compressor

- High efficiency variable capacity scroll compressor is direct current inverter controlled
- Reduces power consumption by as much as 25% by varying compressor motor input frequency and voltage

R-410A Refrigerant

- Non-chlorine based
- Ozone-friendly

Direct Current Outdoor Fan Motor

- Outdoor unit control varies the speed of the outdoor fan motor (up to 15 steps) based on load and refrigerant discharge pressure for minimum energy consumption
- Standard on all outdoor unit models

Outdoor Fan Grille

- Enhanced design reduces sound levels

Outdoor Fan Blade Profile

- Aerodynamically designed fan blade increases the airflow rate and reduces vibration and sound



High External Static Pressure

- High-static pressure outdoor fan adapts to various installation environments
- Offers selectable external static pressure up to 0.32 in. w.g. for units in custom applications

High Performance Outdoor Coil

- Special fin design pattern reduces air resistance and increases heat transfer
- Rifled tubing provides superior refrigerant flow resulting in maximum heat transfer
- Hydrophilic coating reduces condensate build-up and improves water drainage from coil, enhancing heat transfer performance

Flexible Piping Design

- Supports extended refrigerant piping and drop lengths

Four-Way Valve Control

- Reverses refrigerant flow during cooling or heating modes

Refrigerant Line Connections

- Gas and liquid line service valves and gauge ports are located inside the cabinet

High Pressure Sensor and Switch

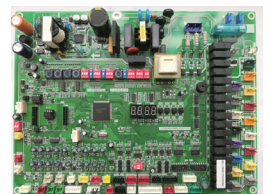
- Shuts off unit if abnormal operating conditions cause the discharge pressure to rise above setting
- Protects compressor from excessive discharge pressure

Low Pressure Sensor and Switch

- Shuts off unit if suction pressure falls below setting
- Provides loss of charge and freeze-up protection.

Unit Control Board

- Contains all necessary relays and controls to setup, maintain and service the system
- LED readout aids in system setup, maintenance and servicing
- Rotary DIP switches allow outdoor and indoor unit addressing, starting time silent time and mode, static pressure selection, outdoor unit capacity and network addressing
- LEDs indicate power supply, unit operation, network operation, inverter module operation



FEATURES AND BENEFITS

LED Display

- Located inside the unit cabinet
 - Control System Mode Operation (Off/Cooling /Heating /Mix Cooling/Mix Heating)
 - Monitor Compressor Status (Main Compressor Speed, Sub Compressor Speed)
 - Monitor Voltage, Monitor Status (Latest Error Code / Defrosting / Oil Return / Standby / Running)
- Buttons select Home / Menu, Back and Enter and Up/ Down buttons to make selection
- LEDs indicate menu status Data, Alarm, Setting, Services



Pulse Meter Connections

- Real-time monitoring of energy consumption through the Lennox VRF manager (LVM) Touchscreen Centralized Controller

NOTE - Pulse meter is not furnished and must be field provided.

Cycle Duty and Backup Operation

- In a multiple outdoor unit setup, any outdoor unit can be programmed as the main outdoor unit to maintain system operation during servicing
- Main outdoor unit is set on the control board

Precise Oil Control Technology

- Five-stage oil balance and return technology ensures proper compressor operation throughout the system
 - **1st Stage** - Oil and gas is separate in compressor
 - **2nd Stage** - High efficiency centrifugal oil separator (efficiency up to 99%) keeps oil from being distributed by high pressure and high temperature refrigerant gas and returns oil to compressor
 - **3rd Stage** - Refrigerant piping design between compressors keeps proper oil balance
 - **4th Stage** - Valve between outdoor unit stages maintains proper oil balance
 - **5th Stage** - Intelligent oil return algorithm implemented through the unit control maintains proper oil balance



Intelligent Soft Start

- Gradually ramps up compressor to speed to conserve energy

Control Box

- Contains main unit controller, DC inverter module, inverter reactor, filter board, outdoor power supply control, DC fan control module, contactor, power transformers and terminal block
- Swing-out design allows easy access to compressor compartment.

Night Silence Mode

- Reduces the speed of the outdoor fans for quiet operation
- The start time is measured in hours from the daytime peak temperature and the operating time is configurable
- Extra silent mode reduces sound levels to a minimum of 45 dBA

Remote Addressing

- Outdoor unit can automatically distribute addresses to indoor units without any manual settings
- Optional wireless remote control can inquire and modify each indoor unit's address

Optional Accessories

Hail Guard Kit

- Flat design allows outdoor modules to be placed close together
- Painted to match the outdoor unit

Low Ambient Kit (-10°F)

- Units operate in the cooling mode down to 5°F outdoor air temperature without any additional controls
- Kit can be added in the field enabling unit to operate properly down to -10°F in the cooling mode

NOTE - For multiple outdoor unit combinations (side by side). One top assembly and one rear panel is required for each outdoor unit module. Only two side panels are required for each side of the outermost outdoor unit modules.

APPS AND SOFTWARE

Lennox VRF and VRF Mini-Split App



Gives you resources to technical information for VRF and VRF mini-Split systems including:

Error Code Lookup

- Access to error codes for quicker troubleshooting

Document Library

- Easily view product specifications, submittals and installation manuals

Refrigerant Charge Calculator

- Quickly calculate additional charge for installed piping

Quick Reference

- View pressure-test and evacuation-procedure processes and pre-commissioning checklist

Pipe Limitations

- View recommended specifications

Videos

- Learn more about the Lennox VRF system

NOTE - This app is a central database of technical, service, installation, and troubleshooting guides and does not directly connect to the Lennox VRF System.



NOTE - Apple, the Apple logo, iPhone and iPad are trademarks of Apple Inc. registered in the US and other countries.
Android is a trademark of Google Inc. Use of this trademark is subject to Google permission.

SYSTEM COMBINATIONS

Model No.	Capacity	Outdoor Units Combinations	Maximum Number of Indoor Units
VPB072L4	6 Ton	(1) VPB072L4	13
VPB096L4	8 Ton	(1) VPB096L4	17
VPB120L4	10 Ton	(1) VPB120L4	22
VPB144L4	12 Ton	(2) VPB072L4	25
VPB168L4	14 Ton	(1) VPB096L4 + (1) VPB072L4	29
VPB192L4	16 Ton	(1) VPB120L4 + (1) VPB072L4	35
VPB216L4	18 Ton	(1) VPB120L4 + (1) VPB096L4	40
VPB240L4	20 Ton	(2) VPB120L4	44
VPB264L4	22 Ton	(1) VPB120L4 + (2) VPB072L4	49
VPB288L4	24 Ton	(1) VPB120L4 + (1) VPB096L4 + (1) VPB072L4	53
VPB312L4	26 Ton	(2) VPB120L4 + (1) VPB072L4	57
VPB336L4	28 Ton	(2) VPB120L4 + (1) VPB096L4	62
VPB360L4	30 Ton	(3) VPB120L4	64

OPTIONAL ACCESSORIES

Item Description	Catalog Number	Unit Model No		
		VPB072L4	VPB096L4	VPB120L4
HAIL GUARD KIT				
	Order 1	19S80	X	
	Order 1	19S81		X
LOW AMBIENT KIT (-10°F)				
Low Ambient Cooling Hood Assembly with Damper and Control Box (Order 1)		19H01	X	
¹ Side Wind Deflector (Order 2)		19H02	X	
Rear Wind Deflector (Order 1)		19H03	X	
Low Ambient Cooling Hood Assembly with Damper and Control Box (Order 1)		19H04		X
¹ Side Wind Deflector (Order 2)		19H05		X
Rear Wind Deflector and Corner Panels (Order 1)		19H06		X

NOTE - If using the Lennox VRF Selection Software, the correct number of components will automatically be ordered.

¹ Multiple outdoor unit combinations (side by side) - One top assembly and one rear panel is required for each outdoor unit module. Only two side panels are required for each side of the outermost outdoor unit modules.

SPECIFICATIONS - INDIVIDUAL OUTDOOR UNITS

Model No.		VPB072L4	VPB096L4	VPB120L4
	Nominal Size - Tons	6	8	10
Sound Data (dBA)	208/230V	65	65	67
	460V	65	65	67
Refrigerant	Type	R-410A	R-410A	R-410A
	Charge furnished	23 lbs. 8 oz.	23 lbs. 8 oz.	23 lbs. 8 oz.
Compressor	No. and Type	(1) DC inverter	(2) DC inverter	(2) DC inverter
	Crankcase heater - W	(2) 30	(4) 30	(4) 30
	Refrigerant oil type	FVC68D	FVC68D	FVC68D
	Refrigerant oil charge - oz.	37.2	37.2	37.2
Connections - in. (sweat)	Liquid pipe	5/8	3/4	3/4
	Gas pipe	1	1-1/4	1-1/4
	Gas balance pipe (low pressure)	1-1/8	1-1/4	1-1/4
	Gas balance pipe (high pressure)	3/4	3/4	3/4
	Oil balance pipe	5/16	5/16	5/16
Outdoor Fans	Quantity, Type and Material	(2) Axial Plastic	(2) Axial Plastic	(2) Axial Plastic
	External Static Pressure - in. w.g.	0 - 0.32	0 - 0.32	0 - 0.32
	Air volume - cfm	8200	12,500	12,500
	Motor rpm	(2) 880	(2) 850	(2) 850
Outdoor Coil	Number of rows	3	3	3
	Tube pitch (a) × row pitch (b) - in.	7/8 x 3/4	7/8 x 3/4	7/8 x 3/4
	Fin spacing - in.	5/8	5/8	5/8
	Fin type	Hydrophilic aluminum		
	Tube outside diameter - in.	5/16	5/16	5/16
	Tube type	Rifled copper tubing		
	Coil dimension (W × H) - in.	42-7/8 x 48-1/2	49-7/16 x 55-7/16	49-7/16 x 55-7/16
	Quantity	2	2	2
	Number of circuits	14	14	14
Design Pressure	High/low	650 / 250	650 / 250	650 / 250
Ambient Temperature Range (°F)	Cooling	1 5 to 125°F		
	Heating	-22 to 80°F		
Shipping Data	Net/Shipping weight - 208/230V	765 / 836	1093 / 1183	1093 / 1183
	460V	800 / 870	1076 / 1166	1076 / 1166
Connectable Indoor Units	Total capacity (%)	50 to 130	50 to 130	50 to 130
	Maximum quantity	13	17	22
Electrical Data		See separate Electrical Data Table for individual outdoor unit data		

¹ Cooling range: -10 to 122°F with optional Low Ambient Kit.

ELECTRICAL DATA

INDIVIDUAL OUTDOOR UNITS

Model No.		VPB072L4		VPB096L4		VPB120L4	
	Line voltage data - 60 hz - 3 phase	208/230V	460V	208/230V	460V	208/230V	460V
	¹ Maximum Overcurrent Protection (amps)	70	30	80	40	90	45
	² Minimum circuit ampacity	59.5	27.5	75	39.5	82.6	43
Compressor	No. of compressors	1	1	2	2	2	2
	Rated load amps	42.7	19.4	29.6/29.6	15.5/15.5	33/33	17/17
Outdoor Fan Motor	Motor type	DC	DC	DC	DC	DC	DC
	No. of motors	2	2	2	2	2	2
	Full load amps	2.6/2.9	1.4/1.6	4.0/4.3	2.2/2.4	4.0/4.3	2.2/2.4
	Input - W	680/780	750/780	1200/1200	1200/1200	1200/1200	1200/1200
	Output - W	580/660	640/720	900/940	900/940	900/940	900/940

NOTES:

In multiple module systems each outdoor unit requires a separate electrical connection:

Incoming voltage must not be above or below these voltage ranges:

208/230V - 182V minimum, 269V maximum

460V - 404V minimum, 530V maximum

¹ HACR type circuit breaker or fuse.

² Refer to National or Canadian Electrical Code manual to determine wire, fuse and disconnect size requirements.

AHRI RATINGS

Model	Voltage	Outdoor Unit Combinations	Indoor Unit Type	Cooling Btuh	High Temp. Heating (Btuh)	Low Temp. Heating (Btuh)	IEER	Heat COP High	Heat COP Low	AHRI Reference Number
VPB072L4M	230V	VPB072L4M	Ducted	69000	77000	66000	21.10	3.84	2.43	205818833
VPB072L4M	230V	VPB072L4M	Non-Ducted	69000	77000	66000	23.00	4.29	2.62	205818832
VPB072L4M	230V	VPB072L4M	Mixed	69000	77000	66000	22.05	4.06	2.52	205818928
VPB072L4M	460V	VPB072L4M	Ducted	69000	77000	66000	21.10	3.84	2.43	205818835
VPB072L4M	460V	VPB072L4M	Non-Ducted	69000	77000	66000	23.00	4.29	2.62	205818834
VPB072L4M	460V	VPB072L4M	Mixed	69000	77000	66000	22.05	4.06	2.52	205818929
VPB096L4M	230V	VPB096L4M	Ducted	92000	103000	86000	22.02	4.01	2.66	205818841
VPB096L4M	230V	VPB096L4M	Non-Ducted	92000	103000	86000	23.78	4.06	2.60	205818840
VPB096L4M	230V	VPB096L4M	Mixed	92000	103000	86000	22.90	4.03	2.63	205818932
VPB096L4M	460V	VPB096L4M	Ducted	92000	103000	86000	22.02	4.01	2.66	205818843
VPB096L4M	460V	VPB096L4M	Non-Ducted	92000	103000	86000	23.78	4.06	2.60	205818842
VPB096L4M	460V	VPB096L4M	Mixed	92000	103000	86000	22.90	4.03	2.63	205818933
VPB120L4M	230V	VPB120L4M	Ducted	115000	129000	110000	21.90	3.92	2.46	205818849
VPB120L4M	230V	VPB120L4M	Non-Ducted	115000	129000	110000	22.17	3.78	2.42	205818848
VPB120L4M	230V	VPB120L4M	Mixed	115000	129000	110000	22.03	3.85	2.44	205818936
VPB120L4M	460V	VPB120L4M	Ducted	115000	129000	110000	21.90	3.92	2.46	205818851
VPB120L4M	460V	VPB120L4M	Non-Ducted	115000	129000	110000	22.17	3.78	2.42	205818850
VPB120L4M	460V	VPB120L4M	Mixed	115000	129000	110000	22.03	3.85	2.44	205818937
VPB144L4M	230V	VPB072L4M VPB072L4M	Ducted	138000	154000	131000	22.05	3.76	2.51	205818857
VPB144L4M	230V	VPB072L4M VPB072L4M	Non-Ducted	138000	154000	131000	22.07	4.04	2.58	205818856
VPB144L4M	230V	VPB072L4M VPB072L4M	Mixed	138000	154000	131000	22.06	3.90	2.54	205818940
VPB144L4M	460V	VPB072L4M VPB072L4M	Ducted	138000	154000	131000	22.05	3.76	2.51	205818859
VPB144L4M	460V	VPB072L4M VPB072L4M	Non-Ducted	138000	154000	131000	22.07	4.04	2.58	205818858
VPB144L4M	460V	VPB072L4M VPB072L4M	Mixed	138000	154000	131000	22.06	3.90	2.54	205818941
VPB168L4M	230V	VPB096L4M VPB072L4M	Ducted	160000	180000	154000	21.96	3.76	2.54	205818865
VPB168L4M	230V	VPB096L4M VPB072L4M	Non-Ducted	160000	180000	154000	21.49	4.08	2.63	205818864
VPB168L4M	230V	VPB096L4M VPB072L4M	Mixed	160000	180000	154000	21.72	3.92	2.58	205818944
VPB168L4M	460V	VPB096L4M VPB072L4M	Ducted	160000	180000	154000	21.96	3.76	2.54	205818867
VPB168L4M	460V	VPB096L4M VPB072L4M	Non-Ducted	160000	180000	154000	21.49	4.08	2.63	205818866
VPB168L4M	460V	VPB096L4M VPB072L4M	Mixed	160000	180000	154000	21.72	3.92	2.58	205818945
VPB192L4M	230V	VPB120L4M VPB072L4M	Ducted	184000	206000	176000	21.00	3.75	2.44	205818873
VPB192L4M	230V	VPB120L4M VPB072L4M	Non-Ducted	184000	206000	176000	20.86	4.00	2.62	205818872

NOTE - Per AHRI, the certified ratings for VRF systems are valid for all combinations of indoor units with the specific outdoor units listed above and in the AHRI Directory of Certified Equipment. Please visit www.ahridirectory.org for further details and latest updates.

¹ Ratings are AHRI certified to AHRI Standard 1230-2014;

• Cooling Ratings - 80°F dry bulb/67°F wet bulb entering indoor coil air and 95°F dry bulb/75°F wet bulb outdoor air temperature.

• High Temperature Heating Ratings - 70°F dry bulb/60°F wet bulb entering indoor coil air and 47°F dry bulb/43°F wet bulb outdoor air temperature.

• Low Temperature Heating Ratings - 70°F dry bulb/60°F wet bulb entering indoor coil air and 17°F dry bulb/15°F wet bulb outdoor air temperature.

AHRI RATINGS

Model	Voltage	Outdoor Unit Combinations	Indoor Unit Type	Cooling Btuh	High Temp. Heating (Btuh)	Low Temp. Heating (Btuh)	IEER	Heat COP High	Heat COP Low	AHRI Reference Number
VPB192L4M	230V	VPB120L4M VPB072L4M	Mixed	184000	206000	176000	20.93	3.87	2.53	205818948
VPB192L4M	460V	VPB120L4M VPB072L4M	Ducted	184000	206000	176000	21.00	3.75	2.44	205818875
VPB192L4M	460V	VPB120L4M VPB072L4M	Non-Ducted	184000	206000	176000	20.86	4.00	2.62	205818874
VPB192L4M	460V	VPB120L4M VPB072L4M	Mixed	184000	206000	176000	20.93	3.87	2.53	205818949
VPB216L4M	230V	VPB120L4M VPB096L4M	Ducted	206000	232000	198000	20.88	3.73	2.54	205818881
VPB216L4M	230V	VPB120L4M VPB096L4M	Non-Ducted	206000	232000	198000	20.54	4.00	2.64	205818880
VPB216L4M	230V	VPB120L4M VPB096L4M	Mixed	206000	232000	198000	20.71	3.86	2.59	205818952
VPB216L4M	460V	VPB120L4M VPB096L4M	Ducted	206000	232000	198000	20.88	3.73	2.54	205818883
VPB216L4M	460V	VPB120L4M VPB096L4M	Non-Ducted	206000	232000	198000	20.54	4.00	2.64	205818882
VPB216L4M	460V	VPB120L4M VPB096L4M	Mixed	206000	232000	198000	20.71	3.86	2.59	205818953
VPB240L4M	230V	VPB120L4M VPB120L4M	Ducted	230000	258000	218000	20.93	3.70	2.50	205818889
VPB240L4M	230V	VPB120L4M VPB120L4M	Non-Ducted	230000	258000	218000	19.74	3.75	2.38	205818888
VPB240L4M	230V	VPB120L4M VPB120L4M	Mixed	230000	258000	218000	20.33	3.72	2.44	205818956
VPB240L4M	460V	VPB120L4M VPB120L4M	Ducted	230000	258000	218000	20.93	3.70	2.50	205818891
VPB240L4M	460V	VPB120L4M VPB120L4M	Non-Ducted	230000	258000	218000	19.74	3.75	2.38	205818890
VPB240L4M	460V	VPB120L4M VPB120L4M	Mixed	230000	258000	218000	20.33	3.72	2.44	205818957
VPB264L4M	230V	VPB120L4M VPB072L4M VPB072L4M	Ducted	252000	282000	240000	20.32	3.84	2.57	205818897
VPB264L4M	230V	VPB120L4M VPB072L4M VPB072L4M	Non-Ducted	252000	282000	240000	21.48	3.90	2.52	205818896
VPB264L4M	230V	VPB120L4M VPB072L4M VPB072L4M	Mixed	252000	282000	240000	20.90	3.87	2.54	205818960
VPB264L4M	460V	VPB120L4M VPB072L4M VPB072L4M	Ducted	252000	282000	240000	20.32	3.84	2.57	205818899
VPB264L4M	460V	VPB120L4M VPB072L4M VPB072L4M	Non-Ducted	252000	282000	240000	21.48	3.90	2.52	205818898
VPB264L4M	460V	VPB120L4M VPB072L4M VPB072L4M	Mixed	252000	282000	240000	20.90	3.87	2.54	205818961

NOTE - Per AHRI, the certified ratings for VRF systems are valid for all combinations of indoor units with the specific outdoor units listed above and in the AHRI Directory of Certified Equipment. Please visit www.ahridirectory.org for further details and latest updates.

¹ Ratings are AHRI certified to AHRI Standard 1230-2014;

• Cooling Ratings - 80°F dry bulb/67°F wet bulb entering indoor coil air and 95°F dry bulb/75°F wet bulb outdoor air temperature.

• High Temperature Heating Ratings - 70°F dry bulb/60°F wet bulb entering indoor coil air and 47°F dry bulb/43°F wet bulb outdoor air temperature.

• Low Temperature Heating Ratings - 70°F dry bulb/60°F wet bulb entering indoor coil air and 17°F dry bulb/15°F wet bulb outdoor air temperature.

AHRI RATINGS

Model	Voltage	Outdoor Unit Combinations	Indoor Unit Type	Cooling Btuh	High Temp. Heating (Btuh)	Low Temp. Heating (Btuh)	IEER	Heat COP High	Heat COP Low	AHRI Reference Number
VPB288L4M	230V	VPB120L4M VPB096L4M VPB072L4M	Ducted	276000	308000	262000	19.29	3.79	2.57	205818905
VPB288L4M	230V	VPB120L4M VPB096L4M VPB072L4M	Non-Ducted	276000	308000	262000	20.68	3.78	2.47	205818904
VPB288L4M	230V	VPB120L4M VPB096L4M VPB072L4M	Mixed	276000	308000	262000	19.98	3.78	2.52	205818964
VPB288L4M	460V	VPB120L4M VPB096L4M VPB072L4M	Ducted	276000	308000	262000	19.29	3.79	2.57	205818907
VPB288L4M	460V	VPB120L4M VPB096L4M VPB072L4M	Non-Ducted	276000	308000	262000	20.68	3.78	2.47	205818906
VPB288L4M	460V	VPB120L4M VPB096L4M VPB072L4M	Mixed	276000	308000	262000	19.98	3.78	2.52	205818965
VPB312L4M	230V	VPB120L4M VPB120L4M VPB072L4M	Ducted	298000	334000	284000	18.79	3.73	2.51	205818913
VPB312L4M	230V	VPB120L4M VPB120L4M VPB072L4M	Non-Ducted	298000	334000	284000	19.79	3.55	2.31	205818912
VPB312L4M	230V	VPB120L4M VPB120L4M VPB072L4M	Mixed	298000	334000	284000	19.29	3.64	2.41	205818968
VPB312L4M	460V	VPB120L4M VPB120L4M VPB072L4M	Ducted	298000	334000	284000	18.79	3.73	2.51	205818915
VPB312L4M	460V	VPB120L4M VPB120L4M VPB072L4M	Non-Ducted	298000	334000	284000	19.79	3.55	2.31	205818914
VPB312L4M	460V	VPB120L4M VPB120L4M VPB072L4M	Mixed	298000	334000	284000	19.29	3.64	2.41	205818969
VPB336L4M	230V	VPB120L4M VPB120L4M VPB096L4M	Ducted	320000	360000	306000	20.00	3.72	2.53	205818921
VPB336L4M	230V	VPB120L4M VPB120L4M VPB096L4M	Non-Ducted	320000	360000	306000	20.12	3.55	2.37	205818920
VPB336L4M	230V	VPB120L4M VPB120L4M VPB096L4M	Mixed	320000	360000	306000	20.06	3.63	2.45	205818972
VPB336L4M	460V	VPB120L4M VPB120L4M VPB096L4M	Ducted	320000	360000	306000	20.00	3.72	2.53	205818923
VPB336L4M	460V	VPB120L4M VPB120L4M VPB096L4M	Non-Ducted	320000	360000	306000	20.12	3.55	2.37	205818922

NOTE - Per AHRI, the certified ratings for VRF systems are valid for all combinations of indoor units with the specific outdoor units listed above and in the AHRI Directory of Certified Equipment. Please visit www.ahridirectory.org for further details and latest updates.

¹ Ratings are AHRI certified to AHRI Standard 1230-2014;

- Cooling Ratings - 80°F dry bulb/67°F wet bulb entering indoor coil air and 95°F dry bulb/75°F wet bulb outdoor air temperature.
- High Temperature Heating Ratings - 70°F dry bulb/60°F wet bulb entering indoor coil air and 47°F dry bulb/43°F wet bulb outdoor air temperature.
- Low Temperature Heating Ratings - 70°F dry bulb/60°F wet bulb entering indoor coil air and 17°F dry bulb/15°F wet bulb outdoor air temperature.

AHRI RATINGS

Model	Voltage	Outdoor Unit Combinations	Indoor Unit Type	Cooling Btuh	High Temp. Heating (Btuh)	Low Temp. Heating (Btuh)	IEER	Heat COP High	Heat COP Low	AHRI Reference Number
VPB336L4M	460V	VPB120L4M VPB120L4M VPB096L4M	Mixed	320000	360000	306000	20.06	3.63	2.45	205818973
VPB360L4M	230V	VPB120L4M VPB120L4M VPB120L4M	Ducted	344000	380000	324000	19.64	3.73	2.49	205818977
VPB360L4M	230V	VPB120L4M VPB120L4M VPB120L4M	Non-Ducted	344000	380000	324000	19.55	3.48	2.32	205818976
VPB360L4M	230V	VPB120L4M VPB120L4M VPB120L4M	Mixed	344000	380000	324000	19.59	3.60	2.40	205818978
VPB360L4M	460V	VPB120L4M VPB120L4M VPB120L4M	Ducted	344000	380000	324000	19.64	3.73	2.49	205818980
VPB360L4M	460V	VPB120L4M VPB120L4M VPB120L4M	Non-Ducted	344000	380000	324000	19.55	3.48	2.32	205818979
VPB360L4M	460V	VPB120L4M VPB120L4M VPB120L4M	Mixed	344000	380000	324000	19.59	3.60	2.40	205818981

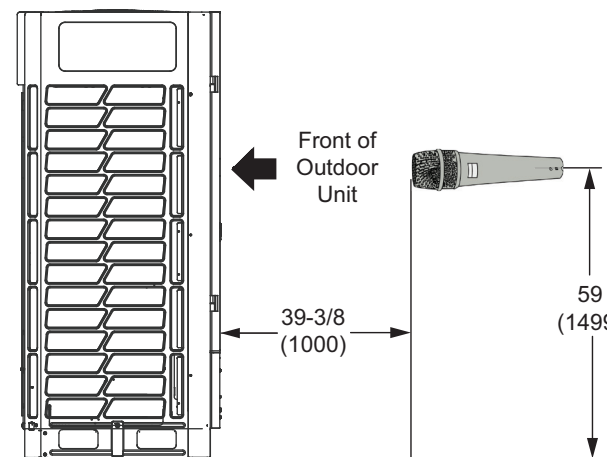
NOTE - Per AHRI, the certified ratings for VRF systems are valid for all combinations of indoor units with the specific outdoor units listed above and in the AHRI Directory of Certified Equipment. Please visit www.ahridirectory.org for further details and latest updates.

¹ Ratings are AHRI certified to AHRI Standard 1230-2014;

- Cooling Ratings - 80°F dry bulb/67°F wet bulb entering indoor coil air and 95°F dry bulb/75°F wet bulb outdoor air temperature.
- High Temperature Heating Ratings - 70°F dry bulb/60°F wet bulb entering indoor coil air and 47°F dry bulb/43°F wet bulb outdoor air temperature.
- Low Temperature Heating Ratings - 70°F dry bulb/60°F wet bulb entering indoor coil air and 17°F dry bulb/15°F wet bulb outdoor air temperature.

SOUND DATA

SOUND LEVELS



NOTES:

- Data is valid at free field condition
- Data is valid at nominal operating condition
- Sound level will vary depending on a range of factors such as the construction (acoustic absorption coefficient) of particular room in which the equipment is installed
- Sound level can be increased in static pressure mode or used air guide.

Model	Sound Pressure Levels (dBA)	
	208/230V	460V
072	62	65
096	65	65
120	67	67
144	66	69
168	67	69
192	69	70
216	70	70
240	71	71
264	70	71
288	70	71
312	71	72
336	72	72
360	72	72

SOUND DATA

VPB072L4 SINGLE MODULE

Unit Side	Mode	Voltage	Octave Band Sound Power Levels dBA, re 10 ⁻¹² Watts									Sound Rating Number dBA
			Center Frequency - HZ									
			31.5	63	125	250	500	1000	2000	4000	8000	
1	Cooling	230V	66.0	70.5	71.9	64.1	58.3	54.7	48.8	43.7	36.9	61.6
2	Cooling	230V	65.8	71.8	69.7	65.6	62.8	58.2	55.1	49.6	44.6	64.6
3	Cooling	230V	69.2	73.8	70.2	66.5	64.6	59.9	57.4	51.6	45.9	66.0
4	Cooling	230V	65.2	68.7	72.8	66.5	61.1	57.7	52.4	46.2	40.0	64.0
1	Heating	230V	71.5	71.8	73.2	65.1	61.6	57.5	52.9	46.0	38.8	63.9
2	Heating	230V	70.9	72.9	70.8	66.8	64.4	60.1	58.8	52.1	44.4	66.6
3	Heating	230V	72.8	75.2	71.7	66.9	65.8	61.6	59.7	52.9	46.5	67.6
4	Heating	230V	70.6	69.8	73.4	66.3	63.2	59.2	55.2	50.3	40.5	65.3
1	Cooling	460V	70.2	69.9	71.5	63.0	58.7	55.2	50.7	43.5	40.9	61.6
2	Cooling	460V	69.0	67.5	69.1	65.8	62.7	59.1	57.9	52.1	45.7	65.4
3	Cooling	460V	70.2	71.6	69.5	65.4	63.5	60.6	61.5	53.1	49.3	67.0
4	Cooling	460V	71.1	68.0	71.4	65.3	61.4	57.8	53.7	51.3	46.5	64.0
1	Heating	460V	70.5	72.7	72.7	65.1	61.2	56.9	51.8	45.4	38.1	63.5
2	Heating	460V	69.4	71.3	72.8	67.4	64.5	62.4	59.3	55.9	44.8	67.8
3	Heating	460V	72.0	74.7	70.1	69.2	65.2	62.5	62.8	55.9	46.2	68.8
4	Heating	460V	68.4	70.2	71.6	65.2	63.3	59.7	55.0	49.5	42.0	65.1

NOTES - The octave sound power data does not include tonal corrections. Sound Rating Number tested according to AHRI Standard 370 (includes pure tone penalty).
 Sound Rating Number is the overall A-Weighted Sound Power Level, (LWA), dB (100 Hz to 10,000 Hz).
 31.5 and 63HZ band is not certified and is usually lower than reported.

VPB096L4 SINGLE MODULE

Unit Side	Mode	Voltage	Octave Band Sound Power Levels dBA, re 10 ⁻¹² Watts									Sound Rating Number dBA
			Center Frequency - HZ									
			31.5	63	125	250	500	1000	2000	4000	8000	
1	Cooling	230V	70.6	71.8	67.0	61.3	59.2	55.2	48.4	41.4	37.2	60.4
2	Cooling	230V	72.1	74.0	68.1	62.5	61.0	58.3	54.2	48.3	46.4	63.3
3	Cooling	230V	71.5	74.6	66.4	63.8	63.0	60.3	56.2	51.7	47.9	65.1
4	Cooling	230V	70.7	71.8	69.8	63.3	60.9	57.7	51.3	44.6	40.9	62.6
1	Heating	230V	76.2	78.9	68.8	65.1	63.6	59.3	53.1	47.0	41.4	64.6
2	Heating	230V	72.2	71.7	69.2	65.5	64.7	62.1	58.2	53.3	46.8	66.8
3	Heating	230V	78.0	82.0	69.9	67.1	67.0	64.2	60.4	57.1	48.3	69.1
4	Heating	230V	75.9	78.7	67.4	66.7	64.2	60.8	54.5	47.8	41.8	65.6
1	Cooling	460V	73.6	76.5	68.5	62.4	59.5	55.5	49.3	42.8	37.0	61.1
2	Cooling	460V	71.0	72.3	66.9	62.3	61.2	58.4	53.9	49.5	43.0	63.2
3	Cooling	460V	73.9	77.7	66.7	64.4	63.1	60.3	55.8	52.4	46.4	65.2
4	Cooling	460V	72.1	74.5	70.7	62.8	61.0	57.6	51.2	45.6	41.3	62.8
1	Heating	460V	69.8	69.6	73.8	64.5	62.7	58.6	51.6	46.0	39.7	64.1
2	Heating	460V	72.5	73.1	70.2	65.1	64.3	61.3	57.2	54.4	47.5	66.4
3	Heating	460V	70.3	71.9	70.4	67.4	67.3	63.4	59.5	57.6	49.0	68.9
4	Heating	460V	72.7	72.4	71.8	65.2	63.6	60.1	54.0	50.7	43.9	65.2

NOTES - The octave sound power data does not include tonal corrections. Sound Rating Number tested according to AHRI Standard 370 (includes pure tone penalty).
 Sound Rating Number is the overall A-Weighted Sound Power Level, (LWA), dB (100 Hz to 10,000 Hz).
 31.5 and 63HZ band is not certified and is usually lower than reported.

SOUND DATA

VPB120L4 SINGLE MODULE

Unit Side	Mode	Voltage	Octave Band Sound Power Levels dBA, re 10 ⁻¹² Watts Center Frequency - HZ									Sound Rating Number dBA
			31.5	63	125	250	500	1000	2000	4000	8000	
1	Cooling	230V	68.8	67.1	72.9	62.8	60.8	56.6	50.4	43.5	37.9	62.5
2	Cooling	230V	68.2	65.2	67.8	64.1	62.5	59.9	57.1	51.7	47.1	65.0
3	Cooling	230V	68.7	72.8	68.3	65.4	65.0	62.0	59.0	54.7	48.7	67.1
4	Cooling	230V	70.6	74.0	67.8	64.5	62.6	59.3	53.5	49.5	41.6	64.2
1	Heating	230V	72.1	70.8	74.1	66.9	64.7	60.6	54.3	49.1	42.1	66.2
2	Heating	230V	71.0	72.9	73.3	66.8	66.0	63.4	60.9	57.6	46.7	68.8
3	Heating	230V	70.9	74.6	73.4	68.9	68.6	65.6	62.1	57.2	48.7	70.6
4	Heating	230V	71.1	72.1	70.3	69.0	65.4	62.0	56.0	49.1	43.0	67.0
1	Cooling	460V	68.8	65.9	71.6	63.4	60.7	56.6	50.3	43.6	38.2	62.3
2	Cooling	460V	68.4	63.3	66.4	64.4	63.1	60.0	55.4	51.7	44.7	64.8
3	Cooling	460V	68.7	70.9	66.4	65.8	64.9	62.1	57.9	54.8	48.3	66.8
4	Cooling	460V	69.9	71.2	67.2	64.5	62.3	59.2	52.8	49.0	42.8	64.0
1	Heating	460V	71.9	74.6	73.3	66.9	63.6	60.1	53.3	49.2	42.5	65.5
2	Heating	460V	73.4	77.1	71.8	68.2	66.8	63.1	59.4	59.6	50.0	69.0
3	Heating	460V	73.8	80.0	71.5	69.8	68.1	65.2	61.8	62.0	51.6	70.9
4	Heating	460V	71.8	71.2	71.5	68.1	66.3	62.3	55.6	52.3	45.1	67.5

NOTES - The octave sound power data does not include tonal corrections. Sound Rating Number tested according to AHRI Standard 370 (includes pure tone penalty).
 Sound Rating Number is the overall A-Weighted Sound Power Level, (LWA), dB (100 Hz to 10,000 Hz).
 31.5 and 63HZ band is not certified and is usually lower than reported.

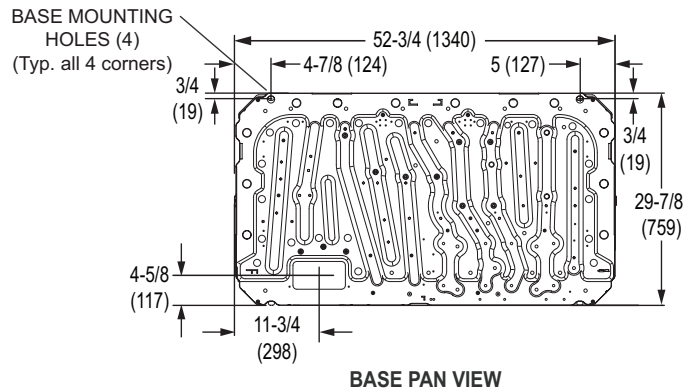
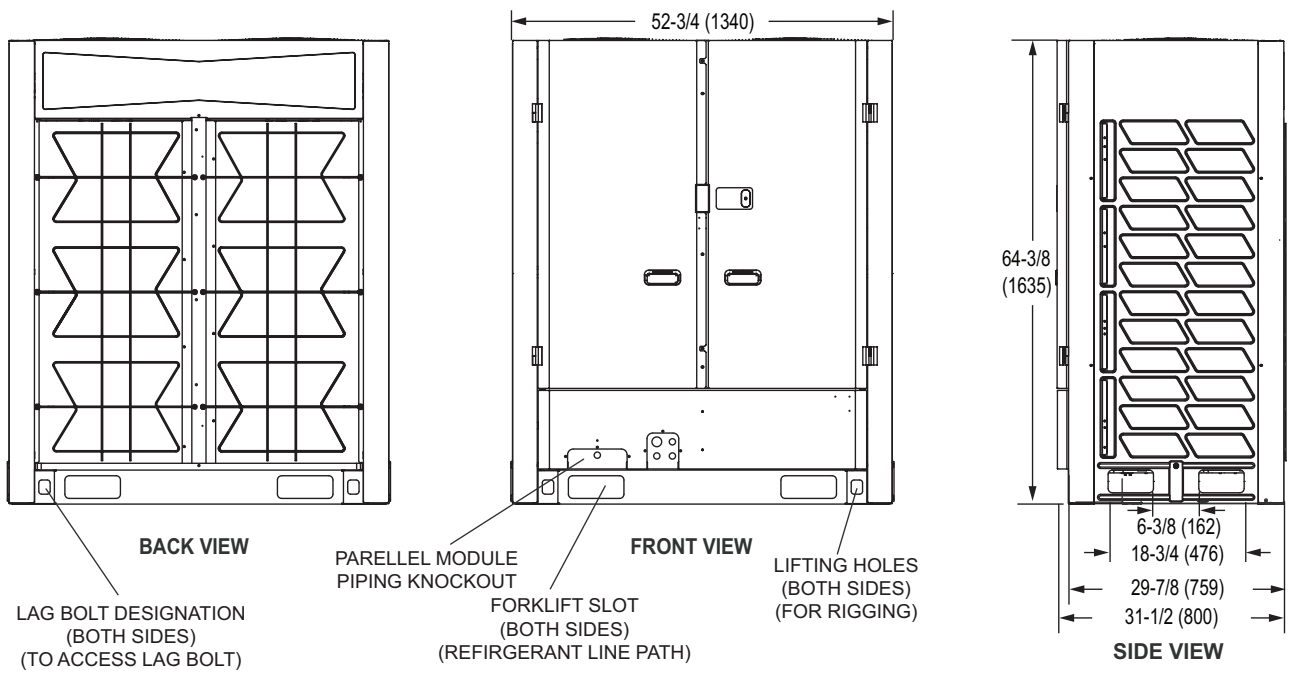
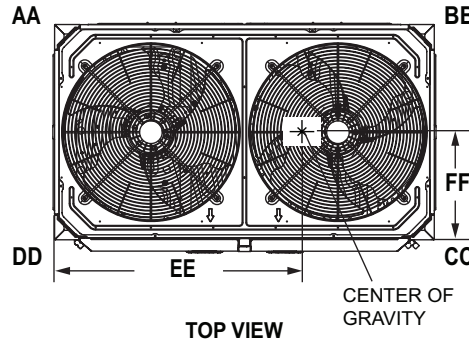
DIMENSIONS - UNIT

VPB072L4

CORNER WEIGHTS

CENTER OF GRAVITY

Model No.	AA		BB		CC		DD		EE		FF	
	lbs.	kg	lbs.	kg	lbs.	kg	lbs.	kg	in.	mm	in.	mm
VPB072L4	124	57	207	95	215	99	256	118	27-3/4	705	12-1/4	311



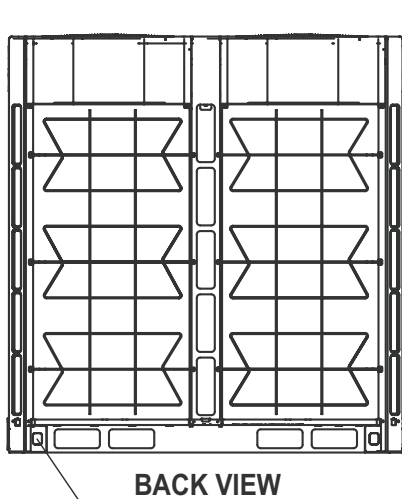
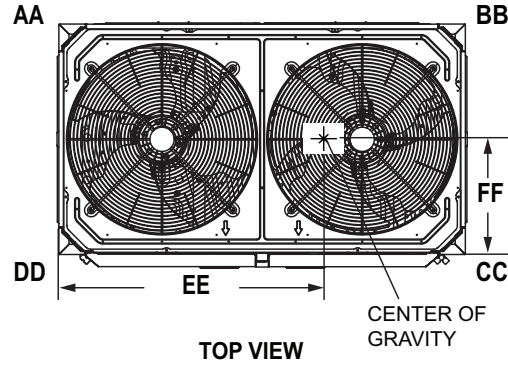
DIMENSIONS - UNIT

VPB096L4 | VPB120L4

CORNER WEIGHTS

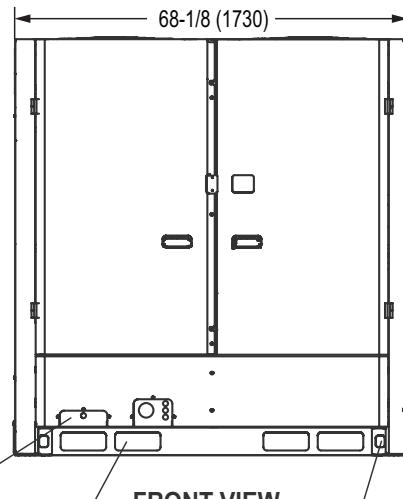
CENTER OF GRAVITY

Model No.	AA		BB		CC		DD		EE		FF	
	lbs.	kg	lbs.	kg	lbs.	kg	lbs.	kg	in.	mm	in.	mm
VPB096L4, VPB120L4	173	80	266	122	332	153	323	148	37-1/2	953	12	305



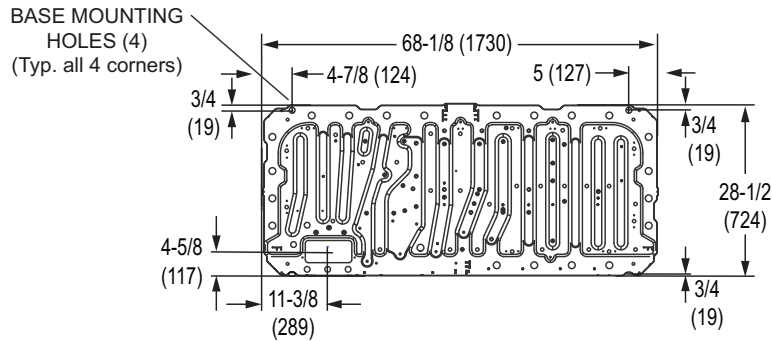
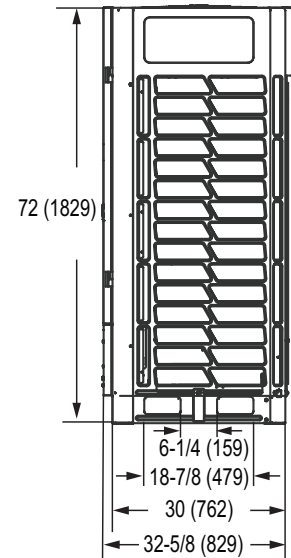
LAG BOLT DESIGNATION (BOTH SIDES) (TO ACCESS LAG BOLT)

PARELLEL MODULE PIPING KNOCKOUT



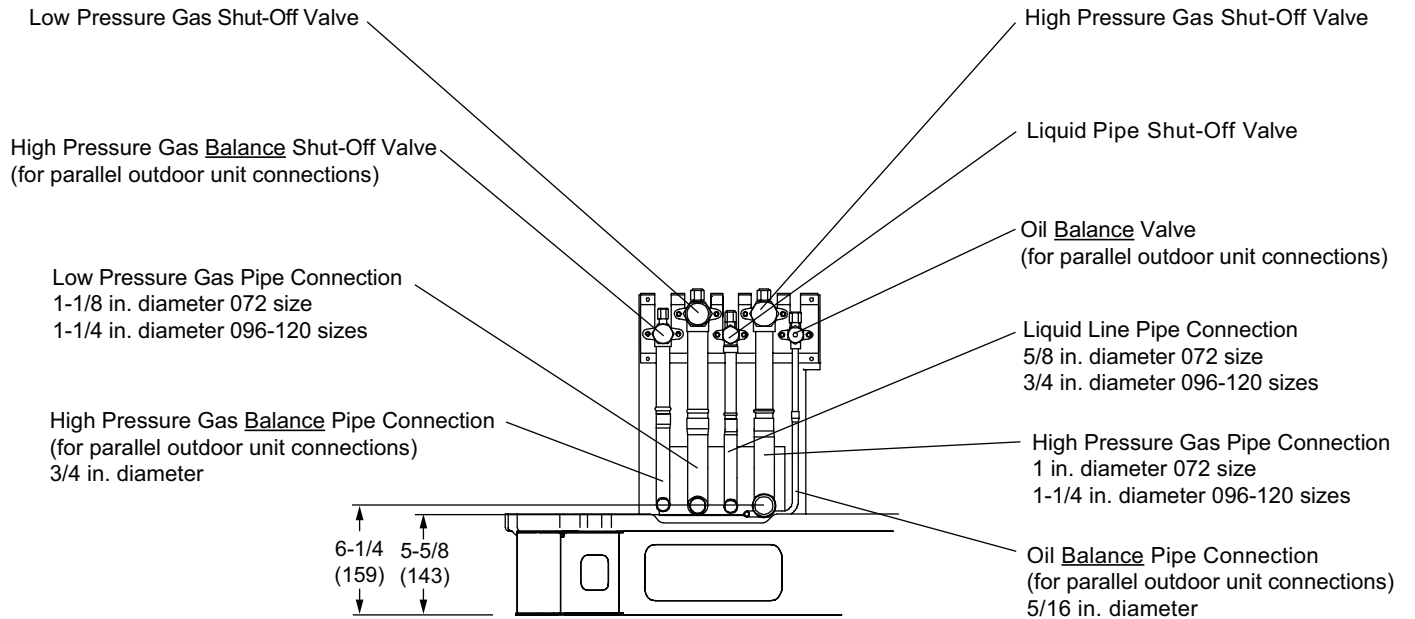
FORKLIFT SLOT (BOTH SIDES) (REFRIGERANT LINE PATH)

LIFTING HOLES (BOTH SIDES) (FOR RIGGING)



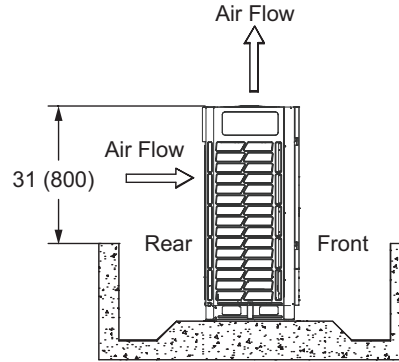
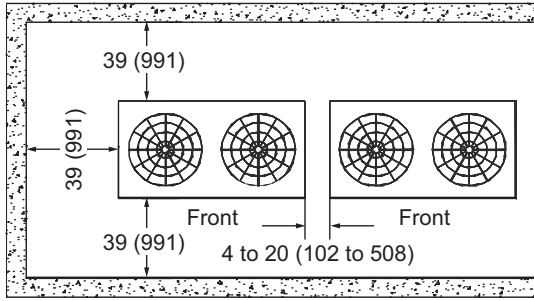
BASE PAN VIEW

DIMENSIONS - PIPING DETAILS

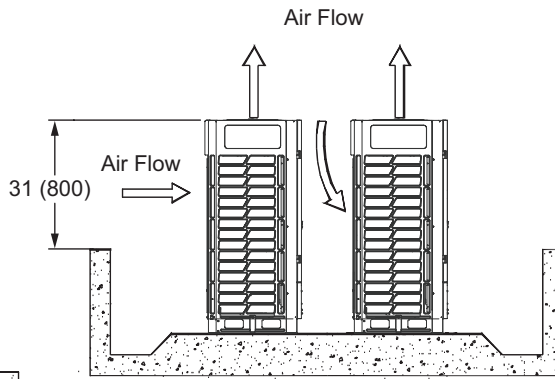
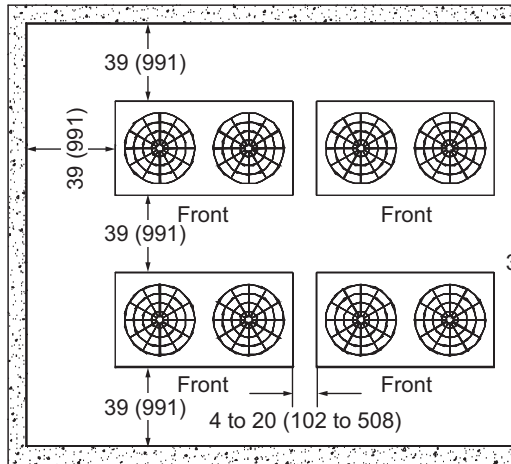


INSTALLATION CLEARANCES

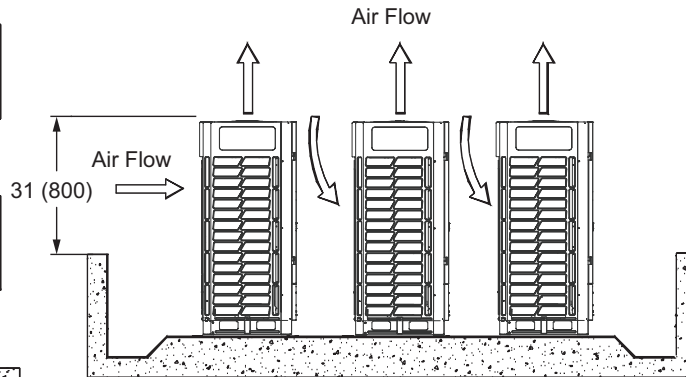
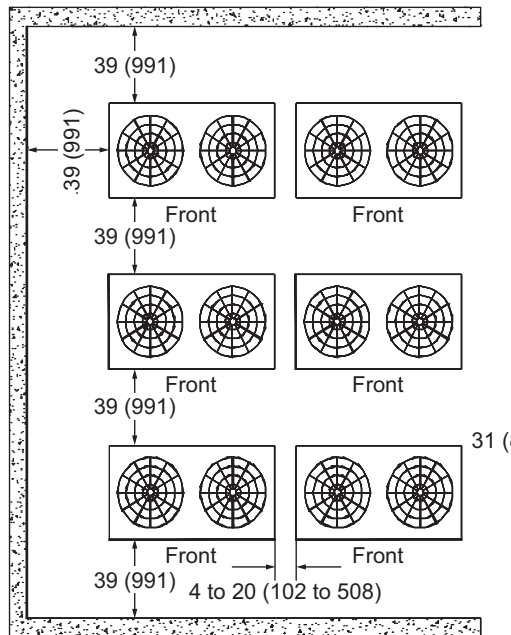
SINGLE ROW



TWO ROWS



THREE OR MORE ROWS



COOLING CAPACITY - SINGLE MODULE | VPB072L4

Combination (%)	Outdoor Temperature °F (Dry Bulb)	Indoor Temperature - °F (Dry Bulb / Wet Bulb)											
		67 / 57		71 / 60		75 / 63		80 / 67		85 / 71		90 / 75	
		Total Cap.	Power Input	Total Cap.	Power Input	Total Cap.	Power Input	Total Cap.	Power Input	Total Cap.	Power Input	Total Cap.	Power Input
		MBH	KW	MBH	KW	MBH	KW	MBH	KW	MBH	KW	MBH	KW
130%	-10	55.2	1.4	67.1	1.7	78.2	2.0	93.6	2.5	109.7	3.0	125.0	3.5
	-5	55.2	1.5	67.1	1.8	78.2	2.2	93.6	2.7	109.7	3.2	125.0	3.7
	10	55.2	1.5	67.1	1.9	78.2	2.2	93.6	2.7	109.7	3.2	125.0	3.8
	15	55.2	1.6	67.1	1.9	78.2	2.3	93.6	2.8	109.7	3.3	122.8	3.8
	20	55.2	1.6	67.1	2.0	78.2	2.3	93.6	2.8	109.7	3.4	120.3	3.8
	25	55.2	1.6	67.1	2.0	78.2	2.4	93.6	2.9	109.7	3.5	117.6	3.8
	30	55.2	1.7	67.1	2.1	78.2	2.4	93.6	3.0	109.7	3.5	114.8	3.8
	35	55.2	1.7	67.1	2.1	78.2	2.5	93.6	3.0	109.7	3.6	112.2	3.8
	40	55.2	1.8	67.1	2.2	78.2	2.5	93.6	3.1	109.7	3.7	110.5	3.8
	45	55.2	1.8	67.1	2.2	78.2	2.6	93.6	3.2	109.7	3.8	109.9	3.9
	50	55.2	1.8	67.1	2.3	78.2	2.7	93.6	3.3	108.1	3.9	109.5	4.0
	55	55.2	1.9	67.1	2.3	78.2	2.8	93.6	3.4	107.9	4.0	109.4	4.1
	60	55.2	1.9	67.1	2.4	78.2	2.8	93.6	3.4	108.3	4.1	109.4	4.2
	65	55.2	2.0	67.1	2.5	78.2	2.9	93.6	3.5	107.5	4.2	109.6	4.3
	70	55.2	2.2	67.1	2.7	78.2	3.2	93.6	3.9	107.7	4.5	109.7	4.7
	75	55.2	2.4	67.1	2.9	78.2	3.5	93.6	4.2	107.8	5.0	109.8	5.2
	80	55.2	2.6	67.1	3.2	78.2	3.8	93.6	4.6	107.6	5.5	109.7	5.7
	85	55.2	2.9	67.1	3.5	78.2	4.2	93.6	5.1	107.0	6.0	109.0	6.2
	90	55.2	3.2	67.1	3.9	78.2	4.6	93.6	5.6	105.7	6.4	107.8	6.7
	95	55.2	3.4	67.1	4.2	78.2	5.0	93.6	6.1	98.1	6.5	99.6	6.8
	100	55.2	3.7	67.1	4.6	78.2	5.4	93.6	6.6	94.6	6.8	96.4	7.1
105	55.2	4.0	67.1	5.0	78.2	5.9	87.4	6.7	90.0	7.0	91.8	7.3	
110	55.2	4.3	67.1	5.3	78.2	6.3	81.4	6.7	83.8	7.0	85.4	7.3	
115	55.2	4.6	67.1	5.6	70.6	6.0	73.3	6.3	75.5	6.7	76.9	7.0	
118	55.2	4.7	62.6	5.4	64.8	5.7	67.3	6.0	69.3	6.3	70.6	6.6	
125	44.3	3.9	46.3	4.2	47.9	4.4	49.7	4.6	51.2	4.9	52.2	5.1	
120%	-10	50.9	1.3	61.9	1.6	72.2	1.9	86.4	2.3	101.2	2.7	115.4	3.2
	-5	50.9	1.4	61.9	1.7	72.2	2.0	86.4	2.4	101.2	2.9	115.4	3.4
	10	50.9	1.4	61.9	1.7	72.2	2.0	86.4	2.5	101.2	3.0	115.4	3.4
	15	50.9	1.4	61.9	1.7	72.2	2.1	86.4	2.5	101.2	3.0	115.4	3.5
	20	50.9	1.5	61.9	1.8	72.2	2.1	86.4	2.6	101.2	3.1	115.4	3.6
	25	50.9	1.5	61.9	1.8	72.2	2.2	86.4	2.6	101.2	3.2	115.4	3.7
	30	50.9	1.5	61.9	1.9	72.2	2.2	86.4	2.7	101.2	3.2	112.7	3.7
	35	50.9	1.6	61.9	1.9	72.2	2.3	86.4	2.8	101.2	3.3	110.1	3.7
	40	50.9	1.6	61.9	2.0	72.2	2.3	86.4	2.8	101.2	3.4	108.4	3.7
	45	50.9	1.6	61.9	2.0	72.2	2.4	86.4	2.9	101.2	3.5	107.8	3.8
	50	50.9	1.7	61.9	2.1	72.2	2.4	86.4	3.0	101.2	3.6	107.4	3.9
	55	50.9	1.7	61.9	2.1	72.2	2.5	86.4	3.0	101.2	3.7	107.3	4.0
	60	50.9	1.8	61.9	2.2	72.2	2.6	86.4	3.1	101.2	3.8	107.3	4.1
	65	50.9	1.8	61.9	2.2	72.2	2.6	86.4	3.2	101.2	3.9	107.5	4.2
	70	50.9	2.0	61.9	2.4	72.2	2.9	86.4	3.5	101.2	4.2	107.7	4.6
	75	50.9	2.2	61.9	2.7	72.2	3.2	86.4	3.8	101.2	4.6	107.8	5.0
	80	50.9	2.4	61.9	2.9	72.2	3.5	86.4	4.2	101.2	5.1	107.6	5.5
	85	50.9	2.6	61.9	3.2	72.2	3.8	86.4	4.6	101.2	5.5	107.0	6.0
	90	50.9	2.9	61.9	3.5	72.2	4.2	86.4	5.1	101.2	6.1	105.7	6.5
	95	50.9	3.1	61.9	3.9	72.2	4.5	86.4	5.5	98.1	6.4	99.6	6.7
	100	50.9	3.4	61.9	4.2	72.2	4.9	86.4	6.0	94.6	6.7	96.4	7.0
105	50.9	3.7	61.9	4.5	72.2	5.3	86.4	6.5	90.0	6.9	91.8	7.2	
110	50.9	3.9	61.9	4.8	72.2	5.7	81.4	6.6	83.8	6.9	85.4	7.2	
115	50.9	4.2	61.9	5.1	70.6	5.9	73.3	6.2	75.5	6.6	76.9	6.9	
118	50.9	4.3	61.9	5.3	64.8	5.6	67.3	5.9	69.3	6.2	70.6	6.5	
125	44.3	3.9	46.3	4.1	47.9	4.3	49.7	4.5	51.2	4.8	52.2	5.0	

NOTE - Power Input = Compressor + Outdoor Fan Motor.
 MBH = 1000 BTUs per hour.

COOLING CAPACITY - SINGLE MODULE | VPB072L4

Combination (%)	Outdoor Temperature °F (Dry Bulb)	Indoor Temperature - °F (Dry Bulb / Wet Bulb)											
		67 / 57		71 / 60		75 / 63		80 / 67		85 / 71		90 / 75	
		Total Cap.	Power Input	Total Cap.	Power Input	Total Cap.	Power Input	Total Cap.	Power Input	Total Cap.	Power Input	Total Cap.	Power Input
		MBH	kW	MBH	kW	MBH	kW	MBH	kW	MBH	kW	MBH	kW
110%	-10	46.7	1.2	56.7	1.4	66.2	1.7	79.2	2.0	92.8	2.5	105.8	2.9
	-5	46.7	1.2	56.7	1.5	66.2	1.8	79.2	2.2	92.8	2.6	105.8	3.0
	10	46.7	1.3	56.7	1.5	66.2	1.8	79.2	2.2	92.8	2.7	105.8	3.1
	15	46.7	1.3	56.7	1.6	66.2	1.9	79.2	2.3	92.8	2.7	105.8	3.2
	20	46.7	1.3	56.7	1.6	66.2	1.9	79.2	2.3	92.8	2.8	105.8	3.2
	25	46.7	1.3	56.7	1.7	66.2	1.9	79.2	2.4	92.8	2.8	105.8	3.3
	30	46.7	1.4	56.7	1.7	66.2	2.0	79.2	2.4	92.8	2.9	105.8	3.4
	35	46.7	1.4	56.7	1.7	66.2	2.0	79.2	2.5	92.8	3.0	105.8	3.5
	40	46.7	1.4	56.7	1.8	66.2	2.1	79.2	2.5	92.8	3.1	105.8	3.6
	45	46.7	1.5	56.7	1.8	66.2	2.1	79.2	2.6	92.8	3.1	105.8	3.7
	50	46.7	1.5	56.7	1.9	66.2	2.2	79.2	2.7	92.8	3.2	105.4	3.7
	55	46.7	1.6	56.7	1.9	66.2	2.3	79.2	2.8	92.8	3.3	105.2	3.8
	60	46.7	1.6	56.7	2.0	66.2	2.3	79.2	2.8	92.8	3.4	105.3	3.9
	65	46.7	1.6	56.7	2.0	66.2	2.4	79.2	2.9	92.8	3.5	105.4	4.0
	70	46.7	1.8	56.7	2.2	66.2	2.6	79.2	3.2	92.8	3.8	105.6	4.4
	75	46.7	2.0	56.7	2.4	66.2	2.8	79.2	3.5	92.8	4.2	105.7	4.8
	80	46.7	2.2	56.7	2.6	66.2	3.1	79.2	3.8	92.8	4.6	105.5	5.3
	85	46.7	2.4	56.7	2.9	66.2	3.4	79.2	4.2	92.8	5.0	104.9	5.8
	90	46.7	2.6	56.7	3.2	66.2	3.8	79.2	4.6	92.8	5.5	103.7	6.3
	95	46.7	2.8	56.7	3.5	66.2	4.1	79.2	5.0	92.8	6.0	99.6	6.6
100	46.7	3.1	56.7	3.8	66.2	4.5	79.2	5.4	92.8	6.5	96.4	6.9	
105	46.7	3.3	56.7	4.1	66.2	4.8	79.2	5.9	90.0	6.8	91.8	7.1	
110	46.7	3.6	56.7	4.4	66.2	5.2	79.2	6.3	83.8	6.8	85.4	7.1	
115	46.7	3.8	56.7	4.6	66.2	5.5	73.3	6.2	75.5	6.5	76.9	6.8	
118	46.7	3.9	56.7	4.7	64.8	5.5	67.3	5.8	69.3	6.1	70.6	6.4	
125	44.3	3.8	46.3	4.0	47.9	4.2	49.7	4.5	51.2	4.7	52.2	4.9	
100%	-10	42.4	1.0	51.6	1.3	60.2	1.5	72.0	1.8	84.4	2.2	96.2	2.6
	-5	42.4	1.1	51.6	1.4	60.2	1.6	72.0	1.9	84.4	2.3	96.2	2.7
	10	42.4	1.1	51.6	1.4	60.2	1.6	72.0	2.0	84.4	2.4	96.2	2.8
	15	42.4	1.2	51.6	1.4	60.2	1.7	72.0	2.0	84.4	2.4	96.2	2.8
	20	42.4	1.2	51.6	1.4	60.2	1.7	72.0	2.1	84.4	2.5	96.2	2.9
	25	42.4	1.2	51.6	1.5	60.2	1.7	72.0	2.1	84.4	2.5	96.2	3.0
	30	42.4	1.2	51.6	1.5	60.2	1.8	72.0	2.2	84.4	2.6	96.2	3.0
	35	42.4	1.3	51.6	1.5	60.2	1.8	72.0	2.2	84.4	2.7	96.2	3.1
	40	42.4	1.3	51.6	1.6	60.2	1.9	72.0	2.3	84.4	2.7	96.2	3.2
	45	42.4	1.3	51.6	1.6	60.2	1.9	72.0	2.3	84.4	2.8	96.2	3.3
	50	42.4	1.4	51.6	1.7	60.2	2.0	72.0	2.4	84.4	2.9	96.2	3.4
	55	42.4	1.4	51.6	1.7	60.2	2.0	72.0	2.5	84.4	3.0	96.2	3.4
	60	42.4	1.4	51.6	1.8	60.2	2.1	72.0	2.5	84.4	3.0	96.2	3.5
	65	42.4	1.5	51.6	1.8	60.2	2.1	72.0	2.6	84.4	3.1	96.2	3.6
	70	42.4	1.6	51.6	2.0	60.2	2.3	72.0	2.8	84.4	3.4	96.2	4.0
	75	42.4	1.8	51.6	2.2	60.2	2.5	72.0	3.1	84.4	3.7	96.2	4.3
	80	42.4	1.9	51.6	2.4	60.2	2.8	72.0	3.4	84.4	4.1	96.2	4.8
	85	42.4	2.1	51.6	2.6	60.2	3.1	72.0	3.7	84.4	4.5	96.2	5.2
	90	42.4	2.3	51.6	2.8	60.2	3.4	72.0	4.1	84.4	4.9	96.2	5.7
	95	42.4	2.5	51.6	3.1	60.2	3.7	72.0	4.5	84.4	5.4	96.2	6.3
100	42.4	2.8	51.6	3.4	60.2	4.0	72.0	4.9	84.4	5.8	96.2	6.8	
105	42.4	3.0	51.6	3.7	60.2	4.3	72.0	5.3	84.4	6.3	91.8	7.0	
110	42.4	3.2	51.6	3.9	60.2	4.6	72.0	5.6	83.8	6.7	85.4	7.0	
115	42.4	3.4	51.6	4.1	60.2	4.9	72.0	6.0	75.5	6.4	76.9	6.7	
118	42.4	3.5	51.6	4.3	60.2	5.0	67.3	5.7	69.3	6.0	70.6	6.3	
125	42.4	3.6	46.3	4.0	47.9	4.2	49.7	4.4	51.2	4.6	52.2	4.8	

NOTE - Power Input = Compressor + Outdoor Fan Motor.
MBH = 1000 BTUs per hour.

COOLING CAPACITY - SINGLE MODULE | VPB072L4

Combination (%)	Outdoor Temperature °F (Dry Bulb)	Indoor Temperature - °F (Dry Bulb / Wet Bulb)											
		67 / 57		71 / 60		75 / 63		80 / 67		85 / 71		90 / 75	
		Total Cap.	Power Input	Total Cap.	Power Input	Total Cap.	Power Input	Total Cap.	Power Input	Total Cap.	Power Input	Total Cap.	Power Input
		MBH	KW	MBH	KW	MBH	KW	MBH	KW	MBH	KW	MBH	KW
90%	-10	38.2	0.9	46.4	1.1	54.2	1.3	64.8	1.6	75.9	1.9	86.6	2.3
	-5	38.2	1.0	46.4	1.2	54.2	1.4	64.8	1.7	75.9	2.1	86.6	2.4
	10	38.2	1.0	46.4	1.2	54.2	1.4	64.8	1.8	75.9	2.1	86.6	2.5
	15	38.2	1.0	46.4	1.3	54.2	1.5	64.8	1.8	75.9	2.2	86.6	2.5
	20	38.2	1.0	46.4	1.3	54.2	1.5	64.8	1.8	75.9	2.2	86.6	2.6
	25	38.2	1.1	46.4	1.3	54.2	1.5	64.8	1.9	75.9	2.3	86.6	2.6
	30	38.2	1.1	46.4	1.3	54.2	1.6	64.8	1.9	75.9	2.3	86.6	2.7
	35	38.2	1.1	46.4	1.4	54.2	1.6	64.8	2.0	75.9	2.4	86.6	2.8
	40	38.2	1.1	46.4	1.4	54.2	1.7	64.8	2.0	75.9	2.4	86.6	2.8
	45	38.2	1.2	46.4	1.4	54.2	1.7	64.8	2.1	75.9	2.5	86.6	2.9
	50	38.2	1.2	46.4	1.5	54.2	1.7	64.8	2.1	75.9	2.5	86.6	3.0
	55	38.2	1.2	46.4	1.5	54.2	1.8	64.8	2.2	75.9	2.6	86.6	3.1
	60	38.2	1.3	46.4	1.6	54.2	1.8	64.8	2.2	75.9	2.7	86.6	3.1
	65	38.2	1.3	46.4	1.6	54.2	1.9	64.8	2.3	75.9	2.8	86.6	3.2
	70	38.2	1.4	46.4	1.7	54.2	2.1	64.8	2.5	75.9	3.0	86.6	3.5
	75	38.2	1.6	46.4	1.9	54.2	2.3	64.8	2.8	75.9	3.3	86.6	3.9
	80	38.2	1.7	46.4	2.1	54.2	2.5	64.8	3.0	75.9	3.6	86.6	4.2
	85	38.2	1.9	46.4	2.3	54.2	2.7	64.8	3.3	75.9	4.0	86.6	4.6
	90	38.2	2.1	46.4	2.5	54.2	3.0	64.8	3.6	75.9	4.4	86.6	5.1
	80%	95	38.2	2.2	46.4	2.8	54.2	3.3	64.8	4.0	75.9	4.8	86.6
100		38.2	2.4	46.4	3.0	54.2	3.5	64.8	4.3	75.9	5.2	86.6	6.0
105		38.2	2.6	46.4	3.2	54.2	3.8	64.8	4.7	75.9	5.6	86.6	6.5
110		38.2	2.8	46.4	3.5	54.2	4.1	64.8	5.0	75.9	6.0	85.4	6.9
115		38.2	3.0	46.4	3.7	54.2	4.3	64.8	5.3	75.5	6.3	76.9	6.6
118		38.2	3.1	46.4	3.8	54.2	4.5	64.8	5.4	69.3	5.9	70.6	6.2
125		38.2	3.2	46.3	3.9	47.9	4.1	49.7	4.3	51.2	4.6	52.2	4.8
-10		34.0	0.8	41.3	1.0	48.1	1.2	57.6	1.4	67.5	1.7	76.9	2.0
-5		34.0	0.9	41.3	1.1	48.1	1.2	57.6	1.5	67.5	1.8	76.9	2.1
10		34.0	0.9	41.3	1.1	48.1	1.3	57.6	1.5	67.5	1.9	76.9	2.2
15		34.0	0.9	41.3	1.1	48.1	1.3	57.6	1.6	67.5	1.9	76.9	2.2
20		34.0	0.9	41.3	1.1	48.1	1.3	57.6	1.6	67.5	1.9	76.9	2.3
25		34.0	0.9	41.3	1.1	48.1	1.4	57.6	1.7	67.5	2.0	76.9	2.3
30		34.0	1.0	41.3	1.2	48.1	1.4	57.6	1.7	67.5	2.0	76.9	2.4
35		34.0	1.0	41.3	1.2	48.1	1.4	57.6	1.7	67.5	2.1	76.9	2.4
40		34.0	1.0	41.3	1.2	48.1	1.5	57.6	1.8	67.5	2.1	76.9	2.5
45		34.0	1.0	41.3	1.3	48.1	1.5	57.6	1.8	67.5	2.2	76.9	2.5
50		34.0	1.1	41.3	1.3	48.1	1.5	57.6	1.9	67.5	2.2	76.9	2.6
55		34.0	1.1	41.3	1.3	48.1	1.6	57.6	1.9	67.5	2.3	76.9	2.7
60		34.0	1.1	41.3	1.4	48.1	1.6	57.6	2.0	67.5	2.4	76.9	2.7
65	34.0	1.1	41.3	1.4	48.1	1.7	57.6	2.0	67.5	2.4	76.9	2.8	
70	34.0	1.2	41.3	1.5	48.1	1.8	57.6	2.2	67.5	2.6	76.9	3.1	
75	34.0	1.4	41.3	1.7	48.1	2.0	57.6	2.4	67.5	2.9	76.9	3.4	
80	34.0	1.5	41.3	1.8	48.1	2.2	57.6	2.6	67.5	3.2	76.9	3.7	
85	34.0	1.6	41.3	2.0	48.1	2.4	57.6	2.9	67.5	3.5	76.9	4.1	
90	34.0	1.8	41.3	2.2	48.1	2.6	57.6	3.2	67.5	3.8	76.9	4.5	
95	34.0	2.0	41.3	2.4	48.1	2.9	57.6	3.5	67.5	4.2	76.9	4.9	
100	34.0	2.1	41.3	2.6	48.1	3.1	57.6	3.8	67.5	4.5	76.9	5.3	
105	34.0	2.3	41.3	2.8	48.1	3.3	57.6	4.1	67.5	4.9	76.9	5.7	
110	34.0	2.5	41.3	3.0	48.1	3.6	57.6	4.4	67.5	5.2	76.9	6.1	
115	34.0	2.6	41.3	3.2	48.1	3.8	57.6	4.6	67.5	5.5	76.9	6.5	
118	34.0	2.7	41.3	3.3	48.1	3.9	57.6	4.8	67.5	5.7	70.6	6.1	
125	34.0	2.8	41.3	3.4	47.9	4.0	49.7	4.3	51.2	4.5	52.2	4.7	

NOTE - Power Input = Compressor + Outdoor Fan Motor.
 MBH = 1000 BTUs per hour.

COOLING CAPACITY - SINGLE MODULE | VPB072L4

Combination (%)	Outdoor Temperature °F (Dry Bulb)	Indoor Temperature - °F (Dry Bulb / Wet Bulb)											
		67 / 57		71 / 60		75 / 63		80 / 67		85 / 71		90 / 75	
		Total Cap.	Power Input	Total Cap.	Power Input	Total Cap.	Power Input	Total Cap.	Power Input	Total Cap.	Power Input	Total Cap.	Power Input
		MBH	kW	MBH	kW	MBH	kW	MBH	kW	MBH	kW	MBH	kW
70%	-10	29.7	0.7	36.1	0.9	42.1	1.0	50.4	1.2	59.1	1.5	67.3	1.7
	-5	29.7	0.7	36.1	0.9	42.1	1.1	50.4	1.3	59.1	1.6	67.3	1.8
	10	29.7	0.8	36.1	0.9	42.1	1.1	50.4	1.3	59.1	1.6	67.3	1.9
	15	29.7	0.8	36.1	0.9	42.1	1.1	50.4	1.4	59.1	1.6	67.3	1.9
	20	29.7	0.8	36.1	1.0	42.1	1.1	50.4	1.4	59.1	1.7	67.3	1.9
	25	29.7	0.8	36.1	1.0	42.1	1.2	50.4	1.4	59.1	1.7	67.3	2.0
	30	29.7	0.8	36.1	1.0	42.1	1.2	50.4	1.5	59.1	1.7	67.3	2.0
	35	29.7	0.8	36.1	1.0	42.1	1.2	50.4	1.5	59.1	1.8	67.3	2.1
	40	29.7	0.9	36.1	1.1	42.1	1.3	50.4	1.5	59.1	1.8	67.3	2.1
	45	29.7	0.9	36.1	1.1	42.1	1.3	50.4	1.6	59.1	1.9	67.3	2.2
	50	29.7	0.9	36.1	1.1	42.1	1.3	50.4	1.6	59.1	1.9	67.3	2.2
	55	29.7	0.9	36.1	1.1	42.1	1.4	50.4	1.7	59.1	2.0	67.3	2.3
	60	29.7	1.0	36.1	1.2	42.1	1.4	50.4	1.7	59.1	2.0	67.3	2.4
	65	29.7	1.0	36.1	1.2	42.1	1.4	50.4	1.7	59.1	2.1	67.3	2.4
	70	29.7	1.1	36.1	1.3	42.1	1.6	50.4	1.9	59.1	2.3	67.3	2.7
	75	29.7	1.2	36.1	1.4	42.1	1.7	50.4	2.1	59.1	2.5	67.3	2.9
	80	29.7	1.3	36.1	1.6	42.1	1.9	50.4	2.3	59.1	2.7	67.3	3.2
	85	29.7	1.4	36.1	1.7	42.1	2.1	50.4	2.5	59.1	3.0	67.3	3.5
	90	29.7	1.6	36.1	1.9	42.1	2.3	50.4	2.7	59.1	3.3	67.3	3.8
	95	29.7	1.7	36.1	2.1	42.1	2.5	50.4	3.0	59.1	3.6	67.3	4.2
100	29.7	1.8	36.1	2.3	42.1	2.7	50.4	3.3	59.1	3.9	67.3	4.6	
105	29.7	2.0	36.1	2.4	42.1	2.9	50.4	3.5	59.1	4.2	67.3	4.9	
110	29.7	2.1	36.1	2.6	42.1	3.1	50.4	3.8	59.1	4.5	67.3	5.3	
115	29.7	2.3	36.1	2.8	42.1	3.3	50.4	4.0	59.1	4.8	67.3	5.6	
118	29.7	2.3	36.1	2.8	42.1	3.4	50.4	4.1	59.1	4.9	67.3	5.7	
125	29.7	2.4	36.1	3.0	42.1	3.5	49.7	4.2	51.2	4.4	52.2	4.6	
60%	-10	25.5	0.6	30.9	0.7	36.1	0.9	43.2	1.0	50.6	1.2	57.7	1.5
	-5	25.5	0.6	30.9	0.8	36.1	0.9	43.2	1.1	50.6	1.3	57.7	1.5
	10	25.5	0.6	30.9	0.8	36.1	0.9	43.2	1.1	50.6	1.3	57.7	1.6
	15	25.5	0.7	30.9	0.8	36.1	0.9	43.2	1.2	50.6	1.4	57.7	1.6
	20	25.5	0.7	30.9	0.8	36.1	1.0	43.2	1.2	50.6	1.4	57.7	1.6
	25	25.5	0.7	30.9	0.8	36.1	1.0	43.2	1.2	50.6	1.4	57.7	1.7
	30	25.5	0.7	30.9	0.9	36.1	1.0	43.2	1.2	50.6	1.5	57.7	1.7
	35	25.5	0.7	30.9	0.9	36.1	1.0	43.2	1.3	50.6	1.5	57.7	1.8
	40	25.5	0.7	30.9	0.9	36.1	1.1	43.2	1.3	50.6	1.5	57.7	1.8
	45	25.5	0.7	30.9	0.9	36.1	1.1	43.2	1.3	50.6	1.6	57.7	1.9
	50	25.5	0.8	30.9	0.9	36.1	1.1	43.2	1.4	50.6	1.6	57.7	1.9
	55	25.5	0.8	30.9	1.0	36.1	1.1	43.2	1.4	50.6	1.7	57.7	2.0
	60	25.5	0.8	30.9	1.0	36.1	1.2	43.2	1.4	50.6	1.7	57.7	2.0
	65	25.5	0.8	30.9	1.0	36.1	1.2	43.2	1.5	50.6	1.8	57.7	2.1
	70	25.5	0.9	30.9	1.1	36.1	1.3	43.2	1.6	50.6	1.9	57.7	2.2
	75	25.5	1.0	30.9	1.2	36.1	1.4	43.2	1.8	50.6	2.1	57.7	2.5
	80	25.5	1.1	30.9	1.3	36.1	1.6	43.2	1.9	50.6	2.3	57.7	2.7
	85	25.5	1.2	30.9	1.5	36.1	1.7	43.2	2.1	50.6	2.5	57.7	3.0
	90	25.5	1.3	30.9	1.6	36.1	1.9	43.2	2.3	50.6	2.8	57.7	3.2
	95	25.5	1.4	30.9	1.8	36.1	2.1	43.2	2.5	50.6	3.0	57.7	3.5
100	25.5	1.6	30.9	1.9	36.1	2.3	43.2	2.8	50.6	3.3	57.7	3.9	
105	25.5	1.7	30.9	2.1	36.1	2.4	43.2	3.0	50.6	3.6	57.7	4.2	
110	25.5	1.8	30.9	2.2	36.1	2.6	43.2	3.2	50.6	3.8	57.7	4.5	
115	25.5	1.9	30.9	2.3	36.1	2.8	43.2	3.4	50.6	4.0	57.7	4.7	
118	25.5	2.0	30.9	2.4	36.1	2.8	43.2	3.5	50.6	4.1	57.7	4.8	
125	25.5	2.0	30.9	2.5	36.1	3.0	43.2	3.6	50.6	4.3	52.2	4.6	

NOTE - Power Input = Compressor + Outdoor Fan Motor.
 MBH = 1000 BTUs per hour.

COOLING CAPACITY - SINGLE MODULE | VPB072L4

Combination (%)	Outdoor Temperature °F (Dry Bulb)	Indoor Temperature - °F (Dry Bulb / Wet Bulb)											
		67 / 57		71 / 60		75 / 63		80 / 67		85 / 71		90 / 75	
		Total Cap.	Power Input	Total Cap.	Power Input	Total Cap.	Power Input	Total Cap.	Power Input	Total Cap.	Power Input	Total Cap.	Power Input
		MBH	kW	MBH	kW	MBH	kW	MBH	kW	MBH	kW	MBH	kW
50%	-10	21.2	0.5	25.8	0.6	30.1	0.7	36.0	0.9	42.2	1.0	48.1	1.2
	-5	21.2	0.5	25.8	0.6	30.1	0.7	36.0	0.9	42.2	1.1	48.1	1.3
	10	21.2	0.5	25.8	0.6	30.1	0.8	36.0	0.9	42.2	1.1	48.1	1.3
	15	21.2	0.5	25.8	0.7	30.1	0.8	36.0	0.9	42.2	1.1	48.1	1.3
	20	21.2	0.5	25.8	0.7	30.1	0.8	36.0	1.0	42.2	1.2	48.1	1.4
	25	21.2	0.6	25.8	0.7	30.1	0.8	36.0	1.0	42.2	1.2	48.1	1.4
	30	21.2	0.6	25.8	0.7	30.1	0.8	36.0	1.0	42.2	1.2	48.1	1.4
	35	21.2	0.6	25.8	0.7	30.1	0.9	36.0	1.0	42.2	1.2	48.1	1.4
	40	21.2	0.6	25.8	0.7	30.1	0.9	36.0	1.1	42.2	1.3	48.1	1.5
	45	21.2	0.6	25.8	0.8	30.1	0.9	36.0	1.1	42.2	1.3	48.1	1.5
	50	21.2	0.6	25.8	0.8	30.1	0.9	36.0	1.1	42.2	1.3	48.1	1.6
	55	21.2	0.6	25.8	0.8	30.1	0.9	36.0	1.1	42.2	1.4	48.1	1.6
	60	21.2	0.7	25.8	0.8	30.1	1.0	36.0	1.2	42.2	1.4	48.1	1.6
	65	21.2	0.7	25.8	0.8	30.1	1.0	36.0	1.2	42.2	1.4	48.1	1.7
	70	21.2	0.7	25.8	0.9	30.1	1.1	36.0	1.3	42.2	1.6	48.1	1.8
	75	21.2	0.8	25.8	1.0	30.1	1.2	36.0	1.4	42.2	1.7	48.1	2.0
	80	21.2	0.9	25.8	1.1	30.1	1.3	36.0	1.6	42.2	1.9	48.1	2.2
	85	21.2	1.0	25.8	1.2	30.1	1.4	36.0	1.7	42.2	2.1	48.1	2.4
	90	21.2	1.1	25.8	1.3	30.1	1.6	36.0	1.9	42.2	2.3	48.1	2.7
	95	21.2	1.2	25.8	1.4	30.1	1.7	36.0	2.1	42.2	2.5	48.1	2.9
100	21.2	1.3	25.8	1.6	30.1	1.9	36.0	2.3	42.2	2.7	48.1	3.2	
105	21.2	1.4	25.8	1.7	30.1	2.0	36.0	2.4	42.2	2.9	48.1	3.4	
110	21.2	1.5	25.8	1.8	30.1	2.1	36.0	2.6	42.2	3.1	48.1	3.7	
115	21.2	1.6	25.8	1.9	30.1	2.3	36.0	2.8	42.2	3.3	48.1	3.9	
118	21.2	1.6	25.8	2.0	30.1	2.3	36.0	2.8	42.2	3.4	48.1	4.0	
125	21.2	1.7	25.8	2.1	30.1	2.4	36.0	3.0	42.2	3.6	48.1	4.2	

NOTE - Power Input = Compressor + Outdoor Fan Motor.
 MBH = 1000 BTUs per hour.

HEATING CAPACITY - SINGLE MODULE | VPB072L4

Combination (%)	Outdoor Temperature (°F)		Indoor Temperature - °F Dry Bulb											
			61		64		67		70		73		75	
	Dry Bulb	Wet Bulb	Total Cap. MBH	Power Input kW	Total Cap. MBH	Power Input kW	Total Cap. MBH	Power Input kW	Total Cap. MBH	Power Input kW	Total Cap. MBH	Power Input kW	Total Cap. MBH	Power Input kW
130%	-22	-23	53.7	9.10	52.6	9.23	51.7	9.36	50.7	9.50	49.9	9.66	49.3	9.76
	-17	-18	66.4	9.30	64.8	9.47	63.4	9.64	62.0	9.82	60.7	10.00	60.0	10.13
	-13	-14	78.6	9.54	76.5	9.73	74.7	9.91	73.0	10.11	71.4	10.32	70.5	10.46
	-8	-9	84.0	9.67	81.9	9.87	80.1	10.06	78.4	10.27	76.9	10.48	76.0	10.63
	-3	-4	86.4	9.76	84.4	9.96	82.8	10.16	81.3	10.38	79.9	10.61	79.2	10.76
	2	1	88.3	10.09	86.6	10.30	85.1	10.51	83.8	10.75	82.7	10.99	82.1	11.15
	7	6	90.8	10.30	89.3	10.53	88.1	10.75	86.9	10.99	86.0	11.25	85.5	11.42
	12	10	93.7	10.49	92.4	10.72	91.3	10.95	90.3	11.21	89.4	11.47	89.0	11.65
	17	15	98.4	10.74	97.2	10.99	96.3	11.23	95.4	11.50	94.7	11.77	94.3	11.66
	22	20	103.8	11.02	102.8	11.27	102.0	11.52	101.2	11.80	98.6	11.23	94.3	10.33
	27	24	109.0	11.27	108.1	11.54	107.3	11.80	105.3	11.38	98.6	10.07	94.3	9.24
	32	29	115.7	11.60	114.9	11.87	112.0	11.22	105.3	10.02	98.6	8.85	94.3	8.11
	37	34	124.9	12.00	118.2	10.86	112.0	9.83	105.3	8.77	98.6	7.77	94.3	7.20
	42	38	124.9	10.84	118.2	9.82	112.0	8.90	105.3	7.94	98.6	7.15	94.3	6.74
	47	43	124.9	9.57	118.2	8.67	112.0	7.87	105.3	7.15	98.6	6.57	94.3	6.18
	52	47	124.9	8.72	118.2	7.91	112.0	7.25	105.3	6.68	98.6	6.12	94.3	5.77
	57	52	124.9	7.75	118.2	7.14	112.0	6.63	105.3	6.09	98.6	5.57	94.3	5.24
	62	56	124.9	7.14	118.2	6.63	112.0	6.14	105.3	5.65	98.6	5.15	94.3	4.84
	67	61	124.9	6.49	118.2	6.00	112.0	5.55	105.3	5.10	98.6	4.66	94.3	4.46
	72	66	124.9	5.85	118.2	5.40	112.0	5.00	105.3	4.59	98.6	4.29	94.3	4.09
75	69	124.9	5.47	118.2	5.04	112.0	4.66	105.3	4.36	98.6	4.06	94.3	3.88	
80	74	124.9	4.91	118.2	4.51	112.0	4.24	105.3	3.97	98.6	3.71	94.3	3.55	
120%	-22	-23	52.9	9.17	51.8	9.30	50.9	9.43	50.1	9.58	49.2	9.73	48.7	9.84
	-17	-18	65.1	9.41	63.6	9.58	62.3	9.75	61.0	9.93	59.8	10.12	59.1	10.24
	-13	-14	76.7	9.68	74.8	9.87	73.2	10.06	71.6	10.26	70.2	10.47	69.4	10.61
	-8	-9	82.0	9.83	80.1	10.03	78.5	10.22	77.0	10.43	75.7	10.66	74.9	10.81
	-3	-4	84.5	9.93	82.7	10.14	81.3	10.34	79.9	10.56	78.8	10.79	78.2	10.95
	2	1	86.6	10.27	85.0	10.49	83.8	10.71	82.6	10.95	81.7	11.20	81.2	11.37
	7	6	89.2	10.50	87.9	10.74	86.8	10.96	85.9	11.21	85.1	11.48	84.7	11.66
	12	10	92.2	10.70	91.1	10.94	90.1	11.18	89.3	11.44	88.6	11.72	87.1	11.28
	17	15	97.0	10.98	96.0	11.23	95.2	11.48	94.5	11.76	91.1	10.90	87.1	10.03
	22	20	102.5	11.28	101.7	11.54	100.9	11.80	97.2	10.87	91.1	9.61	87.1	8.81
	27	24	107.8	11.56	109.1	12.07	103.3	10.92	97.2	9.75	91.1	8.60	87.1	7.85
	32	29	115.3	11.74	109.1	10.62	103.3	9.60	97.2	8.56	91.1	7.53	87.1	7.00
	37	34	115.3	10.29	109.1	9.32	103.3	8.41	97.2	7.50	91.1	6.84	87.1	6.45
	42	38	115.3	9.30	109.1	8.42	103.3	7.62	97.2	6.97	91.1	6.41	87.1	6.04
	47	43	115.3	8.21	109.1	7.45	103.3	6.92	97.2	6.40	91.1	5.87	87.1	5.53
	52	47	115.3	7.49	109.1	6.93	103.3	6.45	97.2	5.96	91.1	5.45	87.1	5.15
	57	52	115.3	6.82	109.1	6.33	103.3	5.88	97.2	5.41	91.1	4.96	87.1	4.69
	62	56	115.3	6.32	109.1	5.87	103.3	5.45	97.2	5.02	91.1	4.62	87.1	4.42
	67	61	115.3	5.71	109.1	5.30	103.3	4.92	97.2	4.55	91.1	4.27	87.1	4.08
	72	66	115.3	5.14	109.1	4.75	103.3	4.45	97.2	4.18	91.1	3.92	87.1	3.76
75	69	115.3	4.80	109.1	4.46	103.3	4.22	97.2	3.96	91.1	3.71	87.1	3.56	
80	74	115.3	4.32	109.1	4.08	103.3	3.86	97.2	3.62	91.1	3.40	87.1	3.23	

NOTE - Power Input = Compressor + Outdoor Fan Motor.
 MBH = 1000 BTUs per hour.

HEATING CAPACITY - SINGLE MODULE | VPB072L4

Combination (%)	Outdoor Temperature (°F)		Indoor Temperature - °F Dry Bulb											
			61		64		67		70		73		75	
	Dry Bulb	Wet Bulb	Total Cap. MBH	Power Input kW	Total Cap. MBH	Power Input kW	Total Cap. MBH	Power Input kW	Total Cap. MBH	Power Input kW	Total Cap. MBH	Power Input kW	Total Cap. MBH	Power Input kW
110%	-22	-23	52.0	9.25	51.0	9.38	50.2	9.52	49.4	9.67	48.6	9.83	48.1	9.93
	-17	-18	63.7	9.54	62.3	9.71	61.1	9.88	59.9	10.06	58.9	10.25	58.2	10.38
	-13	-14	74.8	9.85	73.1	10.04	71.6	10.23	70.2	10.43	69.0	10.65	68.3	10.79
	-8	-9	80.0	10.02	78.3	10.22	76.9	10.41	75.6	10.63	74.5	10.86	73.9	11.02
	-3	-4	82.6	10.13	81.0	10.34	79.8	10.55	78.7	10.78	77.7	11.02	77.3	11.19
	2	1	84.8	10.49	83.5	10.72	82.4	10.94	81.5	11.19	80.7	11.45	79.8	11.25
	7	6	87.6	10.74	86.5	10.98	85.6	11.22	84.9	11.48	83.5	11.26	79.8	10.44
	12	10	90.8	10.96	89.8	11.21	89.0	11.46	89.1	11.67	83.5	10.41	79.8	9.60
	17	15	95.7	11.27	94.8	11.53	94.7	11.64	89.1	10.41	83.5	9.21	79.8	8.42
	22	20	101.3	11.60	100.0	11.38	94.7	10.30	89.1	9.16	83.5	8.05	79.8	7.34
	27	24	105.7	11.29	100.0	10.21	94.7	9.22	89.1	8.18	83.5	7.16	79.8	6.74
	32	29	105.7	9.93	100.0	8.97	94.7	8.08	89.1	7.16	83.5	6.60	79.8	6.24
	37	34	105.7	8.69	100.0	7.84	94.7	7.14	89.1	6.61	83.5	6.07	79.8	5.75
	42	38	105.7	7.86	100.0	7.17	94.7	6.69	89.1	6.18	83.5	5.68	79.8	5.36
	47	43	105.7	7.05	100.0	6.56	94.7	6.13	89.1	5.65	83.5	5.19	79.8	4.90
	52	47	105.7	6.58	100.0	6.13	94.7	5.70	89.1	5.26	83.5	4.82	79.8	4.60
	57	52	105.7	5.99	100.0	5.57	94.7	5.18	89.1	4.77	83.5	4.46	79.8	4.27
	62	56	105.7	5.55	100.0	5.15	94.7	4.78	89.1	4.47	83.5	4.21	79.8	4.03
	67	61	105.7	5.00	100.0	4.64	94.7	4.38	89.1	4.13	83.5	3.89	79.8	3.72
	72	66	105.7	4.49	100.0	4.24	94.7	4.02	89.1	3.79	83.5	3.56	79.8	3.42
75	69	105.7	4.25	100.0	4.02	94.7	3.81	89.1	3.59	83.5	3.38	79.8	3.24	
80	74	105.7	3.87	100.0	3.67	94.7	3.47	89.1	3.28	83.5	3.06	79.8	2.92	
100%	-22	-23	51.1	9.34	50.2	9.48	49.4	9.62	48.6	9.78	47.9	9.94	47.5	10.05
	-17	-18	62.3	9.69	61.0	9.86	59.9	10.03	58.8	10.22	57.9	10.42	57.3	10.55
	-13	-14	72.8	10.05	71.3	10.24	70.0	10.43	68.9	10.64	67.8	10.86	67.3	11.01
	-8	-9	77.9	10.24	76.5	10.45	75.3	10.65	74.2	10.87	73.4	11.11	72.6	11.06
	-3	-4	80.6	10.37	79.4	10.59	78.3	10.81	77.5	11.05	75.9	10.89	72.6	10.26
	2	1	83.1	10.76	82.0	11.00	81.2	11.23	81.0	11.42	75.9	10.36	72.6	9.65
	7	6	86.1	11.04	85.2	11.29	86.1	11.75	81.0	10.63	75.9	9.50	72.6	8.78
	12	10	89.3	11.28	88.6	11.54	86.1	10.91	81.0	9.80	75.9	8.68	72.6	7.95
	17	15	96.1	11.79	90.9	10.71	86.1	9.69	81.0	8.62	75.9	7.55	72.6	6.85
	22	20	96.1	10.46	90.9	9.45	86.1	8.51	81.0	7.51	75.9	6.71	72.6	6.34
	27	24	96.1	9.37	90.9	8.44	86.1	7.57	81.0	6.81	75.9	6.28	72.6	5.95
	32	29	96.1	8.21	90.9	7.38	86.1	6.81	81.0	6.31	75.9	5.81	72.6	5.49
	37	34	96.1	7.18	90.9	6.71	86.1	6.27	81.0	5.80	75.9	5.34	72.6	5.04
	42	38	96.1	6.72	90.9	6.27	86.1	5.86	81.0	5.42	75.9	4.99	72.6	4.70
	47	43	96.1	6.16	90.9	5.74	86.1	5.35	81.0	4.95	75.9	4.58	72.6	4.40
	52	47	96.1	5.73	90.9	5.34	86.1	4.97	81.0	4.61	75.9	4.34	72.6	4.17
	57	52	96.1	5.20	90.9	4.84	86.1	4.54	81.0	4.29	75.9	4.04	72.6	3.88
	62	56	96.1	4.80	90.9	4.51	86.1	4.27	81.0	4.04	75.9	3.80	72.6	3.66
	67	61	96.1	4.37	90.9	4.15	86.1	3.95	81.0	3.73	75.9	3.51	72.6	3.38
	72	66	96.1	4.01	90.9	3.81	86.1	3.62	81.0	3.42	75.9	3.22	72.6	3.10
75	69	96.1	3.80	90.9	3.60	86.1	3.42	81.0	3.24	75.9	3.05	72.6	2.94	
80	74	96.1	3.46	90.9	3.29	86.1	3.11	81.0	2.92	75.9	2.74	72.6	2.63	

NOTE - Power Input = Compressor + Outdoor Fan Motor.
 MBH = 1000 BTUs per hour.

HEATING CAPACITY - SINGLE MODULE | VPB072L4

Combination (%)	Outdoor Temperature (°F)		Indoor Temperature - °F Dry Bulb											
			61		64		67		70		73		75	
	Dry Bulb	Wet Bulb	Total Cap. MBH	Power Input kW	Total Cap. MBH	Power Input kW	Total Cap. MBH	Power Input kW	Total Cap. MBH	Power Input kW	Total Cap. MBH	Power Input kW	Total Cap. MBH	Power Input kW
90%	-22	-23	50.1	9.46	49.3	9.61	48.6	9.75	47.8	9.91	47.2	10.08	46.8	10.19
	-17	-18	60.8	9.87	59.6	10.05	58.6	10.23	57.7	10.42	56.9	10.62	56.4	10.75
	-13	-14	70.8	10.29	69.5	10.49	68.5	10.68	67.5	10.90	66.7	11.13	65.3	10.96
	-8	-9	75.9	10.51	74.7	10.73	73.8	10.94	72.9	11.01	68.3	10.25	65.3	9.72
	-3	-4	78.8	10.67	77.8	10.90	77.5	11.07	72.9	10.23	68.3	9.36	65.3	8.78
	2	1	81.4	11.10	81.8	11.46	77.5	10.60	72.9	9.64	68.3	8.68	65.3	8.03
	7	6	86.5	11.66	81.8	10.71	77.5	9.78	72.9	8.78	68.3	7.76	65.3	7.09
	12	10	86.5	10.86	81.8	9.88	77.5	8.95	72.9	7.95	68.3	6.95	65.3	6.44
	17	15	86.5	9.66	81.8	8.70	77.5	7.81	72.9	6.87	68.3	6.30	65.3	5.96
	22	20	86.5	8.48	81.8	7.59	77.5	6.82	72.9	6.33	68.3	5.84	65.3	5.53
	27	24	86.5	7.54	81.8	6.83	77.5	6.39	72.9	5.93	68.3	5.47	65.3	5.17
	32	29	86.5	6.76	81.8	6.31	77.5	5.90	72.9	5.47	68.3	5.05	65.3	4.76
	37	34	86.5	6.22	81.8	5.80	77.5	5.43	72.9	5.02	68.3	4.62	65.3	4.44
	42	38	86.5	5.81	81.8	5.42	77.5	5.06	72.9	4.68	68.3	4.40	65.3	4.23
	47	43	86.5	5.30	81.8	4.95	77.5	4.62	72.9	4.37	68.3	4.12	65.3	3.96
	52	47	86.5	4.92	81.8	4.59	77.5	4.37	72.9	4.13	68.3	3.90	65.3	3.75
	57	52	86.5	4.49	81.8	4.27	77.5	4.06	72.9	3.85	68.3	3.63	65.3	3.49
	62	56	86.5	4.23	81.8	4.02	77.5	3.83	72.9	3.62	68.3	3.42	65.3	3.29
	67	61	86.5	3.89	81.8	3.70	77.5	3.53	72.9	3.34	68.3	3.16	65.3	3.04
	72	66	86.5	3.56	81.8	3.40	77.5	3.23	72.9	3.06	68.3	2.90	65.3	2.79
75	69	86.5	3.37	81.8	3.21	77.5	3.06	72.9	2.91	68.3	2.75	65.3	2.65	
80	74	86.5	3.05	81.8	2.89	77.5	2.74	72.9	2.59	68.3	2.45	65.3	2.37	
80%	-22	-23	49.1	9.62	48.3	9.77	47.6	9.92	47.0	10.08	46.4	10.26	46.0	10.37
	-17	-18	59.1	10.10	58.2	10.29	57.3	10.47	56.5	10.66	55.8	10.87	55.4	11.01
	-13	-14	68.8	10.59	67.8	10.80	66.9	11.01	64.8	10.78	60.7	10.12	58.1	9.67
	-8	-9	73.9	10.87	72.7	10.85	68.9	10.24	64.8	9.54	60.7	8.81	58.1	8.32
	-3	-4	76.8	10.80	72.7	10.07	68.9	9.37	64.8	8.59	60.7	7.78	58.1	7.25
	2	1	76.8	10.32	72.7	9.50	68.9	8.71	64.8	7.85	60.7	6.97	58.1	6.39
	7	6	76.8	9.50	72.7	8.64	68.9	7.81	64.8	6.92	60.7	6.20	58.1	5.87
	12	10	76.8	8.69	72.7	7.83	68.9	7.01	64.8	6.32	60.7	5.84	58.1	5.53
	17	15	76.8	7.58	72.7	6.76	68.9	6.30	64.8	5.85	60.7	5.41	58.1	5.12
	22	20	76.8	6.66	72.7	6.23	68.9	5.84	64.8	5.42	60.7	5.00	58.1	4.73
	27	24	76.8	6.24	72.7	5.84	68.9	5.47	64.8	5.07	60.7	4.67	58.1	4.44
	32	29	76.8	5.76	72.7	5.39	68.9	5.04	64.8	4.67	60.7	4.37	58.1	4.20
	37	34	76.8	5.29	72.7	4.94	68.9	4.61	64.8	4.36	60.7	4.11	58.1	3.96
	42	38	76.8	4.93	72.7	4.60	68.9	4.37	64.8	4.15	60.7	3.92	58.1	3.77
	47	43	76.8	4.51	72.7	4.30	68.9	4.10	64.8	3.89	60.7	3.67	58.1	3.54
	52	47	76.8	4.27	72.7	4.06	68.9	3.88	64.8	3.68	60.7	3.48	58.1	3.35
	57	52	76.8	3.96	72.7	3.78	68.9	3.60	64.8	3.42	60.7	3.24	58.1	3.12
	62	56	76.8	3.73	72.7	3.56	68.9	3.40	64.8	3.23	60.7	3.05	58.1	2.94
	67	61	76.8	3.43	72.7	3.28	68.9	3.13	64.8	2.97	60.7	2.82	58.1	2.72
	72	66	76.8	3.14	72.7	3.01	68.9	2.87	64.8	2.73	60.7	2.59	58.1	2.50
75	69	76.8	2.97	72.7	2.84	68.9	2.72	64.8	2.59	60.7	2.45	58.1	2.40	
80	74	76.8	2.66	72.7	2.53	68.9	2.42	64.8	2.30	60.7	2.20	58.1	2.17	

NOTE - Power Input = Compressor + Outdoor Fan Motor.
 MBH = 1000 BTUs per hour.

HEATING CAPACITY - SINGLE MODULE | VPB072L4

Combination (%)	Outdoor Temperature (°F)		Indoor Temperature - °F Dry Bulb											
			61		64		67		70		73		75	
	Dry Bulb	Wet Bulb	Total Cap. MBH	Power Input kW	Total Cap. MBH	Power Input kW	Total Cap. MBH	Power Input kW	Total Cap. MBH	Power Input kW	Total Cap. MBH	Power Input kW	Total Cap. MBH	Power Input kW
70%	-22	-23	47.9	9.82	47.3	9.98	46.7	10.13	46.1	10.31	45.6	10.49	45.3	10.61
	-17	-18	57.5	10.40	56.6	10.59	56.0	10.78	55.3	10.99	53.1	10.66	50.8	10.23
	-13	-14	67.2	10.97	63.7	10.45	60.3	9.93	56.7	9.33	53.1	8.70	50.8	8.28
	-8	-9	67.2	9.81	63.7	9.21	60.3	8.63	56.7	7.97	53.1	7.29	50.8	6.84
	-3	-4	67.2	8.92	63.7	8.26	60.3	7.61	56.7	6.90	53.1	6.16	50.8	5.81
	2	1	67.2	8.24	63.7	7.51	60.3	6.79	56.7	6.10	53.1	5.64	50.8	5.35
	7	6	67.2	7.34	63.7	6.58	60.3	6.08	56.7	5.65	53.1	5.22	50.8	4.95
	12	10	67.2	6.55	63.7	6.11	60.3	5.72	56.7	5.32	53.1	4.91	50.8	4.65
	17	15	67.2	6.04	63.7	5.65	60.3	5.29	56.7	4.91	53.1	4.54	50.8	4.29
	22	20	67.2	5.58	63.7	5.23	60.3	4.89	56.7	4.54	53.1	4.25	50.8	4.09
	27	24	67.2	5.22	63.7	4.88	60.3	4.57	56.7	4.30	53.1	4.06	50.8	3.91
	32	29	67.2	4.81	63.7	4.49	60.3	4.28	56.7	4.06	53.1	3.85	50.8	3.71
	37	34	67.2	4.43	63.7	4.22	60.3	4.03	56.7	3.83	53.1	3.63	50.8	3.50
	42	38	67.2	4.21	63.7	4.02	60.3	3.84	56.7	3.65	53.1	3.46	50.8	3.33
	47	43	67.2	3.94	63.7	3.76	60.3	3.60	56.7	3.42	53.1	3.24	50.8	3.13
	52	47	67.2	3.73	63.7	3.56	60.3	3.40	56.7	3.24	53.1	3.07	50.8	2.96
	57	52	67.2	3.46	63.7	3.31	60.3	3.16	56.7	3.01	53.1	2.86	50.8	2.77
	62	56	67.2	3.25	63.7	3.11	60.3	2.98	56.7	2.84	53.1	2.70	50.8	2.61
	67	61	67.2	3.00	63.7	2.87	60.3	2.75	56.7	2.62	53.1	2.50	50.8	2.46
	72	66	67.2	2.74	63.7	2.63	60.3	2.53	56.7	2.42	53.1	2.35	50.8	2.27
75	69	67.2	2.60	63.7	2.49	60.3	2.39	56.7	2.34	53.1	2.23	50.8	2.15	
80	74	67.2	2.30	63.7	2.21	60.3	2.15	56.7	2.09	53.1	1.97	50.8	1.90	
60%	-22	-23	46.7	10.10	46.1	10.27	45.6	10.44	45.1	10.62	45.5	11.01	43.5	10.64
	-17	-18	55.7	10.81	54.6	10.76	51.7	10.26	48.6	9.70	45.5	9.11	43.5	8.70
	-13	-14	57.6	9.34	54.6	8.83	51.7	8.33	48.6	7.77	45.5	7.19	43.5	6.80
	-8	-9	57.6	8.01	54.6	7.46	51.7	6.91	48.6	6.32	45.5	5.83	43.5	5.52
	-3	-4	57.6	6.96	54.6	6.36	51.7	5.86	48.6	5.45	45.5	5.04	43.5	4.77
	2	1	57.6	6.13	54.6	5.75	51.7	5.39	48.6	5.00	45.5	4.62	43.5	4.38
	7	6	57.6	5.68	54.6	5.32	51.7	4.98	48.6	4.63	45.5	4.27	43.5	4.06
	12	10	57.6	5.34	54.6	5.00	51.7	4.68	48.6	4.35	45.5	4.06	43.5	3.91
	17	15	57.6	4.92	54.6	4.61	51.7	4.31	48.6	4.08	45.5	3.87	43.5	3.73
	22	20	57.6	4.55	54.6	4.28	51.7	4.09	48.6	3.88	45.5	3.68	43.5	3.55
	27	24	57.6	4.28	54.6	4.09	51.7	3.91	48.6	3.72	45.5	3.52	43.5	3.40
	32	29	57.6	4.05	54.6	3.87	51.7	3.70	48.6	3.52	45.5	3.34	43.5	3.22
	37	34	57.6	3.81	54.6	3.64	51.7	3.49	48.6	3.32	45.5	3.15	43.5	3.04
	42	38	57.6	3.62	54.6	3.47	51.7	3.32	48.6	3.17	45.5	3.01	43.5	2.90
	47	43	57.6	3.39	54.6	3.25	51.7	3.11	48.6	2.97	45.5	2.82	43.5	2.73
	52	47	57.6	3.21	54.6	3.08	51.7	2.95	48.6	2.81	45.5	2.68	43.5	2.59
	57	52	57.6	2.98	54.6	2.86	51.7	2.74	48.6	2.62	45.5	2.52	43.5	2.45
	62	56	57.6	2.81	54.6	2.69	51.7	2.59	48.6	2.49	45.5	2.40	43.5	2.32
	67	61	57.6	2.58	54.6	2.49	51.7	2.43	48.6	2.34	45.5	2.22	43.5	2.15
	72	66	57.6	2.37	54.6	2.34	51.7	2.25	48.6	2.15	45.5	2.05	43.5	1.98
75	69	57.6	2.30	54.6	2.22	51.7	2.14	48.6	2.04	45.5	1.95	43.5	1.89	
80	74	57.6	2.06	54.6	1.97	51.7	1.88	48.6	1.79	45.5	1.70	43.5	1.64	

NOTE - Power Input = Compressor + Outdoor Fan Motor.
 MBH = 1000 BTUs per hour.

HEATING CAPACITY - SINGLE MODULE | VPB072L4

Combination (%)	Outdoor Temperature (°F)		Indoor Temperature - °F Dry Bulb											
			61		64		67		70		73		75	
	Dry Bulb	Wet Bulb	Total Cap.	Power Input	Total Cap.	Power Input	Total Cap.	Power Input	Total Cap.	Power Input	Total Cap.	Power Input	Total Cap.	Power Input
50%	-22	-23	45.3	10.52	45.5	10.84	43.1	10.42	40.5	9.94	37.9	9.44	36.3	9.06
	-17	-18	48.0	9.43	45.5	8.96	43.1	8.49	40.5	7.97	37.9	7.36	36.3	6.98
	-13	-14	48.0	7.54	45.5	7.06	43.1	6.62	40.5	6.15	37.9	5.68	36.3	5.38
	-8	-9	48.0	6.11	45.5	5.73	43.1	5.37	40.5	4.99	37.9	4.60	36.3	4.36
	-3	-4	48.0	5.28	45.5	4.95	43.1	4.64	40.5	4.30	37.9	3.97	36.3	3.79
	2	1	48.0	4.85	45.5	4.54	43.1	4.25	40.5	3.94	37.9	3.74	36.3	3.60
	7	6	48.0	4.47	45.5	4.19	43.1	3.96	40.5	3.77	37.9	3.57	36.3	3.45
	12	10	48.0	4.19	45.5	3.99	43.1	3.81	40.5	3.63	37.9	3.45	36.3	3.33
	17	15	48.0	3.96	45.5	3.79	43.1	3.63	40.5	3.46	37.9	3.29	36.3	3.17
	22	20	48.0	3.77	45.5	3.61	43.1	3.46	40.5	3.30	37.9	3.13	36.3	3.03
	27	24	48.0	3.61	45.5	3.45	43.1	3.31	40.5	3.16	37.9	3.00	36.3	2.90
	32	29	48.0	3.41	45.5	3.27	43.1	3.14	40.5	2.99	37.9	2.85	36.3	2.76
	37	34	48.0	3.22	45.5	3.08	43.1	2.96	40.5	2.83	37.9	2.69	36.3	2.61
	42	38	48.0	3.06	45.5	2.94	43.1	2.82	40.5	2.70	37.9	2.57	36.3	2.51
	47	43	48.0	2.87	45.5	2.76	43.1	2.65	40.5	2.54	37.9	2.45	36.3	2.37
	52	47	48.0	2.72	45.5	2.61	43.1	2.52	40.5	2.44	37.9	2.33	36.3	2.25
	57	52	48.0	2.53	45.5	2.46	43.1	2.39	40.5	2.28	37.9	2.17	36.3	2.11
62	56	48.0	2.42	45.5	2.34	43.1	2.25	40.5	2.16	37.9	2.06	36.3	2.00	
67	61	48.0	2.26	45.5	2.17	43.1	2.09	40.5	2.00	37.9	1.91	36.3	1.85	
72	66	48.0	2.08	45.5	2.00	43.1	1.93	40.5	1.85	37.9	1.77	36.3	1.72	
75	69	48.0	1.97	45.5	1.90	43.1	1.83	40.5	1.75	37.9	1.68	36.3	1.64	
80	74	48.0	1.72	45.5	1.65	43.1	1.58	40.5	1.52	37.9	1.45	36.3	1.40	

NOTE - Power Input = Compressor + Outdoor Fan Motor.
 MBH = 1000 BTUs per hour.

COOLING CAPACITY - SINGLE MODULE | VPB096L4

Combination (%)	Outdoor Temperature °F (Dry Bulb)	Indoor Temperature - °F (Dry Bulb / Wet Bulb)											
		67 / 57		71 / 60		75 / 63		80 / 67		85 / 71		90 / 75	
		Total Cap.	Power Input	Total Cap.	Power Input	Total Cap.	Power Input	Total Cap.	Power Input	Total Cap.	Power Input	Total Cap.	Power Input
		MBH	KW	MBH	KW	MBH	KW	MBH	KW	MBH	KW	MBH	KW
130%	-10	73.6	2.0	89.4	2.4	104.3	2.9	124.8	3.5	146.2	4.2	166.7	4.9
	-5	73.6	2.1	89.4	2.6	104.3	3.0	124.8	3.7	146.2	4.4	159.2	5.0
	10	73.6	2.1	89.4	2.6	104.3	3.1	124.8	3.8	146.2	4.5	156.4	5.0
	15	73.6	2.2	89.4	2.7	104.3	3.2	124.8	3.9	146.2	4.6	153.5	5.0
	20	73.6	2.2	89.4	2.7	104.3	3.2	124.8	4.0	146.2	4.7	150.5	5.0
	25	73.6	2.3	89.4	2.8	104.3	3.3	124.8	4.0	146.2	4.8	147.4	5.0
	30	73.6	2.3	89.4	2.9	104.3	3.4	124.8	4.1	142.6	4.8	144.5	5.0
	35	73.6	2.4	89.4	2.9	104.3	3.5	124.8	4.2	139.9	4.9	141.8	5.0
	40	73.6	2.5	89.4	3.0	104.3	3.6	124.8	4.3	138.4	4.9	140.3	5.1
	45	73.6	2.5	89.4	3.1	104.3	3.7	124.8	4.5	138.2	5.0	140.1	5.2
	50	73.6	2.6	89.4	3.2	104.3	3.7	124.8	4.6	138.2	5.2	140.1	5.4
	55	73.6	2.7	89.4	3.3	104.3	3.8	124.8	4.7	138.4	5.3	140.3	5.5
	60	73.6	2.7	89.4	3.3	104.3	4.0	124.8	4.8	139.1	5.5	140.5	5.7
	65	73.6	2.8	89.4	3.4	104.3	4.1	124.8	5.0	138.1	5.6	140.8	5.8
	70	73.6	3.0	89.4	3.7	104.3	4.4	124.8	5.4	138.2	6.1	140.8	6.4
	75	73.6	3.3	89.4	4.1	104.3	4.9	124.8	5.9	137.9	6.7	140.5	7.0
	80	73.6	3.7	89.4	4.5	104.3	5.3	124.8	6.5	137.1	7.3	139.7	7.6
	85	73.6	4.0	89.4	4.9	104.3	5.8	124.8	7.1	135.6	7.9	138.2	8.3
	90	73.6	4.4	89.4	5.4	104.3	6.4	124.8	7.8	133.1	8.5	135.6	8.9
	95	73.6	4.8	89.4	5.9	104.3	7.0	120.4	8.2	122.4	8.5	124.3	8.9
	100	73.6	5.2	89.4	6.4	104.3	7.6	115.0	8.5	116.9	8.9	119.1	9.3
	105	73.6	5.7	89.4	7.0	104.3	8.2	106.8	8.6	110.0	9.0	112.1	9.4
110	73.6	6.1	89.4	7.4	94.4	7.9	98.0	8.4	101.0	8.9	102.9	9.2	
115	73.6	6.4	80.8	7.1	83.6	7.4	86.8	7.9	89.4	8.3	91.1	8.7	
118	70.1	6.3	73.2	6.6	75.7	6.9	78.6	7.3	81.0	7.7	82.5	8.1	
125	49.4	4.6	51.6	4.9	53.3	5.1	55.4	5.4	57.0	5.7	58.1	5.9	
120%	-10	67.9	1.8	82.5	2.2	96.3	2.6	115.2	3.2	135.0	3.8	153.9	4.4
	-5	67.9	1.9	82.5	2.3	96.3	2.8	115.2	3.4	135.0	4.0	153.9	4.7
	10	67.9	1.9	82.5	2.4	96.3	2.8	115.2	3.4	135.0	4.1	153.8	4.8
	15	67.9	2.0	82.5	2.4	96.3	2.9	115.2	3.5	135.0	4.2	150.8	4.8
	20	67.9	2.0	82.5	2.5	96.3	2.9	115.2	3.6	135.0	4.3	147.8	4.8
	25	67.9	2.1	82.5	2.6	96.3	3.0	115.2	3.7	135.0	4.4	144.8	4.8
	30	67.9	2.1	82.5	2.6	96.3	3.1	115.2	3.8	135.0	4.5	141.9	4.9
	35	67.9	2.2	82.5	2.7	96.3	3.2	115.2	3.9	135.0	4.6	139.2	4.9
	40	67.9	2.2	82.5	2.7	96.3	3.2	115.2	3.9	135.0	4.7	137.7	4.9
	45	67.9	2.3	82.5	2.8	96.3	3.3	115.2	4.0	135.0	4.8	137.5	5.1
	50	67.9	2.3	82.5	2.9	96.3	3.4	115.2	4.2	135.0	5.0	137.5	5.2
	55	67.9	2.4	82.5	3.0	96.3	3.5	115.2	4.3	135.0	5.1	137.6	5.3
	60	67.9	2.5	82.5	3.0	96.3	3.6	115.2	4.4	135.0	5.2	137.9	5.5
	65	67.9	2.5	82.5	3.1	96.3	3.7	115.2	4.5	135.0	5.4	138.1	5.6
	70	67.9	2.8	82.5	3.4	96.3	4.0	115.2	4.9	135.0	5.9	138.2	6.1
	75	67.9	3.0	82.5	3.7	96.3	4.4	115.2	5.4	135.0	6.4	137.9	6.7
	80	67.9	3.3	82.5	4.1	96.3	4.8	115.2	5.9	134.5	7.0	137.1	7.4
	85	67.9	3.7	82.5	4.5	96.3	5.3	115.2	6.5	133.0	7.6	135.6	8.0
	90	67.9	4.0	82.5	4.9	96.3	5.8	115.2	7.1	130.5	8.2	133.0	8.6
	95	67.9	4.4	82.5	5.4	96.3	6.4	115.2	7.7	122.4	8.4	124.3	8.8
	100	67.9	4.8	82.5	5.9	96.3	6.9	115.2	8.4	116.9	8.7	119.1	9.1
	105	67.9	5.1	82.5	6.3	96.3	7.5	106.8	8.4	110.0	8.9	112.1	9.3
110	67.9	5.5	82.5	6.8	94.4	7.8	98.0	8.3	101.0	8.7	102.9	9.1	
115	67.9	5.8	80.8	7.0	83.6	7.3	86.8	7.8	89.4	8.2	91.1	8.5	
118	67.9	6.0	73.2	6.5	75.7	6.8	78.6	7.2	81.0	7.6	82.5	7.9	
125	49.4	4.5	51.6	4.8	53.3	5.0	55.4	5.3	57.0	5.6	58.1	5.8	

NOTE - Power Input = Compressor + Outdoor Fan Motor.
 MBH = 1000 BTUs per hour.

COOLING CAPACITY - SINGLE MODULE | VPB096L4

Combination (%)	Outdoor Temperature °F (Dry Bulb)	Indoor Temperature - °F (Dry Bulb / Wet Bulb)											
		67 / 57		71 / 60		75 / 63		80 / 67		85 / 71		90 / 75	
		Total Cap.	Power Input	Total Cap.	Power Input	Total Cap.	Power Input	Total Cap.	Power Input	Total Cap.	Power Input	Total Cap.	Power Input
		MBH	kW	MBH	kW	MBH	kW	MBH	kW	MBH	kW	MBH	kW
110%	-10	62.3	1.6	75.7	2.0	88.3	2.3	105.6	2.9	123.7	3.4	141.1	4.0
	-5	62.3	1.7	75.7	2.1	88.3	2.5	105.6	3.0	123.7	3.6	141.1	4.3
	10	62.3	1.8	75.7	2.2	88.3	2.5	105.6	3.1	123.7	3.7	141.1	4.3
	15	62.3	1.8	75.7	2.2	88.3	2.6	105.6	3.2	123.7	3.8	141.1	4.4
	20	62.3	1.8	75.7	2.3	88.3	2.7	105.6	3.2	123.7	3.9	141.1	4.5
	25	62.3	1.9	75.7	2.3	88.3	2.7	105.6	3.3	123.7	4.0	141.1	4.6
	30	62.3	1.9	75.7	2.4	88.3	2.8	105.6	3.4	123.7	4.1	139.3	4.7
	35	62.3	2.0	75.7	2.4	88.3	2.9	105.6	3.5	123.7	4.2	136.6	4.7
	40	62.3	2.0	75.7	2.5	88.3	2.9	105.6	3.6	123.7	4.3	135.0	4.8
	45	62.3	2.1	75.7	2.5	88.3	3.0	105.6	3.7	123.7	4.4	134.8	4.9
	50	62.3	2.1	75.7	2.6	88.3	3.1	105.6	3.7	123.7	4.5	134.8	5.0
	55	62.3	2.2	75.7	2.7	88.3	3.2	105.6	3.8	123.7	4.6	135.0	5.2
	60	62.3	2.2	75.7	2.7	88.3	3.2	105.6	4.0	123.7	4.7	135.2	5.3
	65	62.3	2.3	75.7	2.8	88.3	3.3	105.6	4.1	123.7	4.9	135.5	5.5
	70	62.3	2.5	75.7	3.1	88.3	3.6	105.6	4.4	123.7	5.3	135.5	5.9
	75	62.3	2.7	75.7	3.4	88.3	4.0	105.6	4.9	123.7	5.8	135.2	6.5
	80	62.3	3.0	75.7	3.7	88.3	4.4	105.6	5.3	123.7	6.4	134.5	7.1
	85	62.3	3.3	75.7	4.1	88.3	4.8	105.6	5.8	123.7	7.0	133.0	7.7
	90	62.3	3.6	75.7	4.4	88.3	5.3	105.6	6.4	123.7	7.7	130.5	8.3
	95	62.3	4.0	75.7	4.9	88.3	5.7	105.6	7.0	123.7	8.4	124.3	8.6
100	62.3	4.3	75.7	5.3	88.3	6.2	105.6	7.6	116.9	8.6	119.1	9.0	
105	62.3	4.6	75.7	5.7	88.3	6.7	105.6	8.2	110.0	8.7	112.1	9.1	
110	62.3	5.0	75.7	6.1	88.3	7.2	98.0	8.2	101.0	8.6	102.9	9.0	
115	62.3	5.3	75.7	6.5	83.6	7.2	86.8	7.6	89.4	8.0	91.1	8.4	
118	62.3	5.4	73.2	6.4	75.7	6.7	78.6	7.1	81.0	7.5	82.5	7.8	
125	49.4	4.5	51.6	4.7	53.3	4.9	55.4	5.2	57.0	5.5	58.1	5.7	
100%	-10	56.6	1.4	68.8	1.8	80.2	2.1	96.0	2.6	112.5	3.1	128.2	3.6
	-5	56.6	1.5	68.8	1.9	80.2	2.2	96.0	2.7	112.5	3.3	128.2	3.8
	10	56.6	1.6	68.8	1.9	80.2	2.3	96.0	2.8	112.5	3.3	128.2	3.9
	15	56.6	1.6	68.8	2.0	80.2	2.3	96.0	2.8	112.5	3.4	128.2	4.0
	20	56.6	1.6	68.8	2.0	80.2	2.4	96.0	2.9	112.5	3.5	128.2	4.1
	25	56.6	1.7	68.8	2.1	80.2	2.4	96.0	3.0	112.5	3.6	128.2	4.2
	30	56.6	1.7	68.8	2.1	80.2	2.5	96.0	3.0	112.5	3.6	128.2	4.3
	35	56.6	1.8	68.8	2.2	80.2	2.6	96.0	3.1	112.5	3.7	128.2	4.4
	40	56.6	1.8	68.8	2.2	80.2	2.6	96.0	3.2	112.5	3.8	128.2	4.5
	45	56.6	1.8	68.8	2.3	80.2	2.7	96.0	3.3	112.5	3.9	128.2	4.6
	50	56.6	1.9	68.8	2.3	80.2	2.8	96.0	3.4	112.5	4.0	128.2	4.7
	55	56.6	1.9	68.8	2.4	80.2	2.8	96.0	3.4	112.5	4.1	128.2	4.8
	60	56.6	2.0	68.8	2.5	80.2	2.9	96.0	3.5	112.5	4.2	128.2	4.9
	65	56.6	2.1	68.8	2.5	80.2	3.0	96.0	3.6	112.5	4.4	128.2	5.1
	70	56.6	2.2	68.8	2.7	80.2	3.2	96.0	4.0	112.5	4.7	128.2	5.5
	75	56.6	2.5	68.8	3.0	80.2	3.6	96.0	4.3	112.5	5.2	128.2	6.1
	80	56.6	2.7	68.8	3.3	80.2	3.9	96.0	4.8	112.5	5.7	128.2	6.7
	85	56.6	3.0	68.8	3.6	80.2	4.3	96.0	5.2	112.5	6.3	128.2	7.3
	90	56.6	3.2	68.8	4.0	80.2	4.7	96.0	5.7	112.5	6.9	127.9	8.0
	95	56.6	3.5	68.8	4.4	80.2	5.1	96.0	6.3	112.5	7.5	124.3	8.5
100	56.6	3.8	68.8	4.7	80.2	5.6	96.0	6.8	112.5	8.2	119.1	8.8	
105	56.6	4.2	68.8	5.1	80.2	6.0	96.0	7.3	110.0	8.6	112.1	9.0	
110	56.6	4.4	68.8	5.5	80.2	6.5	96.0	7.9	101.0	8.5	102.9	8.8	
115	56.6	4.7	68.8	5.8	80.2	6.8	86.8	7.5	89.4	7.9	91.1	8.3	
118	56.6	4.8	68.8	5.9	75.7	6.6	78.6	7.0	81.0	7.4	82.5	7.7	
125	49.4	4.4	51.6	4.6	53.3	4.9	55.4	5.1	57.0	5.4	58.1	5.7	

NOTE - Power Input = Compressor + Outdoor Fan Motor.
 MBH = 1000 BTUs per hour.

COOLING CAPACITY - SINGLE MODULE | VPB096L4

Combination (%)	Outdoor Temperature °F (Dry Bulb)	Indoor Temperature - °F (Dry Bulb / Wet Bulb)											
		67 / 57		71 / 60		75 / 63		80 / 67		85 / 71		90 / 75	
		Total Cap.	Power Input	Total Cap.	Power Input	Total Cap.	Power Input	Total Cap.	Power Input	Total Cap.	Power Input	Total Cap.	Power Input
		MBH	KW	MBH	KW	MBH	KW	MBH	KW	MBH	KW	MBH	KW
90%	-10	50.9	1.3	61.9	1.6	72.2	1.9	86.4	2.3	101.2	2.7	115.4	3.2
	-5	50.9	1.4	61.9	1.7	72.2	2.0	86.4	2.4	101.2	2.9	115.4	3.4
	10	50.9	1.4	61.9	1.7	72.2	2.0	86.4	2.5	101.2	3.0	115.4	3.5
	15	50.9	1.4	61.9	1.8	72.2	2.1	86.4	2.5	101.2	3.0	115.4	3.5
	20	50.9	1.5	61.9	1.8	72.2	2.1	86.4	2.6	101.2	3.1	115.4	3.6
	25	50.9	1.5	61.9	1.8	72.2	2.2	86.4	2.6	101.2	3.2	115.4	3.7
	30	50.9	1.5	61.9	1.9	72.2	2.2	86.4	2.7	101.2	3.2	115.4	3.8
	35	50.9	1.6	61.9	1.9	72.2	2.3	86.4	2.8	101.2	3.3	115.4	3.9
	40	50.9	1.6	61.9	2.0	72.2	2.3	86.4	2.8	101.2	3.4	115.4	4.0
	45	50.9	1.6	61.9	2.0	72.2	2.4	86.4	2.9	101.2	3.5	115.4	4.1
	50	50.9	1.7	61.9	2.1	72.2	2.4	86.4	3.0	101.2	3.6	115.4	4.2
	55	50.9	1.7	61.9	2.1	72.2	2.5	86.4	3.1	101.2	3.7	115.4	4.3
	60	50.9	1.8	61.9	2.2	72.2	2.6	86.4	3.1	101.2	3.8	115.4	4.4
	65	50.9	1.8	61.9	2.2	72.2	2.6	86.4	3.2	101.2	3.9	115.4	4.5
	70	50.9	2.0	61.9	2.4	72.2	2.9	86.4	3.5	101.2	4.2	115.4	4.9
	75	50.9	2.2	61.9	2.7	72.2	3.2	86.4	3.9	101.2	4.6	115.4	5.4
	80	50.9	2.4	61.9	2.9	72.2	3.5	86.4	4.2	101.2	5.1	115.4	5.9
	85	50.9	2.6	61.9	3.2	72.2	3.8	86.4	4.6	101.2	5.6	115.4	6.5
	90	50.9	2.9	61.9	3.5	72.2	4.2	86.4	5.1	101.2	6.1	115.4	7.1
	95	50.9	3.1	61.9	3.9	72.2	4.6	86.4	5.6	101.2	6.7	115.4	7.8
	100	50.9	3.4	61.9	4.2	72.2	5.0	86.4	6.0	101.2	7.2	115.4	8.4
105	50.9	3.7	61.9	4.5	72.2	5.3	86.4	6.5	101.2	7.8	112.1	8.9	
110	50.9	3.9	61.9	4.8	72.2	5.7	86.4	7.0	101.0	8.3	102.9	8.7	
115	50.9	4.2	61.9	5.1	72.2	6.1	86.4	7.4	89.4	7.8	91.1	8.1	
118	50.9	4.3	61.9	5.3	72.2	6.2	78.6	6.9	81.0	7.3	82.5	7.6	
125	49.4	4.3	51.6	4.6	53.3	4.8	55.4	5.1	57.0	5.3	58.1	5.6	
80%	-10	45.3	1.1	55.0	1.4	64.2	1.6	76.8	2.0	90.0	2.4	102.6	2.8
	-5	45.3	1.2	55.0	1.5	64.2	1.7	76.8	2.1	90.0	2.5	102.6	3.0
	10	45.3	1.2	55.0	1.5	64.2	1.8	76.8	2.2	90.0	2.6	102.6	3.0
	15	45.3	1.2	55.0	1.5	64.2	1.8	76.8	2.2	90.0	2.6	102.6	3.1
	20	45.3	1.3	55.0	1.6	64.2	1.9	76.8	2.3	90.0	2.7	102.6	3.2
	25	45.3	1.3	55.0	1.6	64.2	1.9	76.8	2.3	90.0	2.8	102.6	3.2
	30	45.3	1.3	55.0	1.6	64.2	1.9	76.8	2.4	90.0	2.8	102.6	3.3
	35	45.3	1.4	55.0	1.7	64.2	2.0	76.8	2.4	90.0	2.9	102.6	3.4
	40	45.3	1.4	55.0	1.7	64.2	2.0	76.8	2.5	90.0	3.0	102.6	3.5
	45	45.3	1.4	55.0	1.8	64.2	2.1	76.8	2.5	90.0	3.0	102.6	3.6
	50	45.3	1.5	55.0	1.8	64.2	2.1	76.8	2.6	90.0	3.1	102.6	3.6
	55	45.3	1.5	55.0	1.9	64.2	2.2	76.8	2.7	90.0	3.2	102.6	3.7
	60	45.3	1.6	55.0	1.9	64.2	2.3	76.8	2.7	90.0	3.3	102.6	3.8
	65	45.3	1.6	55.0	2.0	64.2	2.3	76.8	2.8	90.0	3.4	102.6	4.0
	70	45.3	1.7	55.0	2.1	64.2	2.5	76.8	3.1	90.0	3.7	102.6	4.3
	75	45.3	1.9	55.0	2.3	64.2	2.8	76.8	3.4	90.0	4.0	102.6	4.7
	80	45.3	2.1	55.0	2.6	64.2	3.0	76.8	3.7	90.0	4.4	102.6	5.2
	85	45.3	2.3	55.0	2.8	64.2	3.3	76.8	4.1	90.0	4.9	102.6	5.7
	90	45.3	2.5	55.0	3.1	64.2	3.7	76.8	4.5	90.0	5.3	102.6	6.2
	95	45.3	2.7	55.0	3.4	64.2	4.0	76.8	4.9	90.0	5.8	102.6	6.8
	100	45.3	3.0	55.0	3.7	64.2	4.3	76.8	5.3	90.0	6.3	102.6	7.4
105	45.3	3.2	55.0	4.0	64.2	4.7	76.8	5.7	90.0	6.8	102.6	8.0	
110	45.3	3.5	55.0	4.2	64.2	5.0	76.8	6.1	90.0	7.3	102.6	8.5	
115	45.3	3.7	55.0	4.5	64.2	5.3	76.8	6.5	89.4	7.7	91.1	8.0	
118	45.3	3.8	55.0	4.6	64.2	5.5	76.8	6.6	81.0	7.2	82.5	7.5	
125	45.3	3.9	51.6	4.5	53.3	4.7	55.4	5.0	57.0	5.3	58.1	5.5	

NOTE - Power Input = Compressor + Outdoor Fan Motor.
 MBH = 1000 BTUs per hour.

COOLING CAPACITY - SINGLE MODULE | VPB096L4

Combination (%)	Outdoor Temperature °F (Dry Bulb)	Indoor Temperature - °F (Dry Bulb / Wet Bulb)											
		67 / 57		71 / 60		75 / 63		80 / 67		85 / 71		90 / 75	
		Total Cap.	Power Input	Total Cap.	Power Input	Total Cap.	Power Input	Total Cap.	Power Input	Total Cap.	Power Input	Total Cap.	Power Input
		MBH	kW	MBH	kW	MBH	kW	MBH	kW	MBH	kW	MBH	kW
70%	-10	39.6	1.0	48.1	1.2	56.2	1.4	67.2	1.7	78.7	2.1	89.8	2.4
	-5	39.6	1.0	48.1	1.3	56.2	1.5	67.2	1.8	78.7	2.2	89.8	2.6
	10	39.6	1.1	48.1	1.3	56.2	1.5	67.2	1.9	78.7	2.2	89.8	2.6
	15	39.6	1.1	48.1	1.3	56.2	1.6	67.2	1.9	78.7	2.3	89.8	2.7
	20	39.6	1.1	48.1	1.4	56.2	1.6	67.2	1.9	78.7	2.3	89.8	2.7
	25	39.6	1.1	48.1	1.4	56.2	1.6	67.2	2.0	78.7	2.4	89.8	2.8
	30	39.6	1.2	48.1	1.4	56.2	1.7	67.2	2.0	78.7	2.4	89.8	2.9
	35	39.6	1.2	48.1	1.5	56.2	1.7	67.2	2.1	78.7	2.5	89.8	2.9
	40	39.6	1.2	48.1	1.5	56.2	1.8	67.2	2.1	78.7	2.6	89.8	3.0
	45	39.6	1.2	48.1	1.5	56.2	1.8	67.2	2.2	78.7	2.6	89.8	3.1
	50	39.6	1.3	48.1	1.6	56.2	1.8	67.2	2.2	78.7	2.7	89.8	3.1
	55	39.6	1.3	48.1	1.6	56.2	1.9	67.2	2.3	78.7	2.8	89.8	3.2
	60	39.6	1.3	48.1	1.6	56.2	1.9	67.2	2.4	78.7	2.8	89.8	3.3
	65	39.6	1.4	48.1	1.7	56.2	2.0	67.2	2.4	78.7	2.9	89.8	3.4
	70	39.6	1.5	48.1	1.8	56.2	2.2	67.2	2.7	78.7	3.2	89.8	3.7
	75	39.6	1.6	48.1	2.0	56.2	2.4	67.2	2.9	78.7	3.5	89.8	4.1
	80	39.6	1.8	48.1	2.2	56.2	2.6	67.2	3.2	78.7	3.8	89.8	4.5
	85	39.6	2.0	48.1	2.4	56.2	2.9	67.2	3.5	78.7	4.2	89.8	4.9
	90	39.6	2.2	48.1	2.7	56.2	3.2	67.2	3.8	78.7	4.6	89.8	5.4
	95	39.6	2.4	48.1	2.9	56.2	3.4	67.2	4.2	78.7	5.0	89.8	5.9
100	39.6	2.6	48.1	3.2	56.2	3.7	67.2	4.6	78.7	5.5	89.8	6.4	
105	39.6	2.8	48.1	3.4	56.2	4.0	67.2	4.9	78.7	5.9	89.8	6.9	
110	39.6	3.0	48.1	3.7	56.2	4.3	67.2	5.3	78.7	6.3	89.8	7.4	
115	39.6	3.2	48.1	3.9	56.2	4.6	67.2	5.6	78.7	6.7	89.8	7.8	
118	39.6	3.2	48.1	4.0	56.2	4.7	67.2	5.7	78.7	6.9	82.5	7.4	
125	39.6	3.4	48.1	4.2	53.3	4.7	55.4	4.9	57.0	5.2	58.1	5.4	
60%	-10	34.0	0.8	41.3	1.0	48.1	1.2	57.6	1.5	67.5	1.7	76.9	2.0
	-5	34.0	0.9	41.3	1.1	48.1	1.3	57.6	1.5	67.5	1.8	76.9	2.2
	10	34.0	0.9	41.3	1.1	48.1	1.3	57.6	1.6	67.5	1.9	76.9	2.2
	15	34.0	0.9	41.3	1.1	48.1	1.3	57.6	1.6	67.5	1.9	76.9	2.3
	20	34.0	0.9	41.3	1.1	48.1	1.3	57.6	1.6	67.5	2.0	76.9	2.3
	25	34.0	1.0	41.3	1.2	48.1	1.4	57.6	1.7	67.5	2.0	76.9	2.4
	30	34.0	1.0	41.3	1.2	48.1	1.4	57.6	1.7	67.5	2.1	76.9	2.4
	35	34.0	1.0	41.3	1.2	48.1	1.4	57.6	1.8	67.5	2.1	76.9	2.5
	40	34.0	1.0	41.3	1.3	48.1	1.5	57.6	1.8	67.5	2.2	76.9	2.5
	45	34.0	1.0	41.3	1.3	48.1	1.5	57.6	1.9	67.5	2.2	76.9	2.6
	50	34.0	1.1	41.3	1.3	48.1	1.6	57.6	1.9	67.5	2.3	76.9	2.7
	55	34.0	1.1	41.3	1.4	48.1	1.6	57.6	2.0	67.5	2.3	76.9	2.7
	60	34.0	1.1	41.3	1.4	48.1	1.6	57.6	2.0	67.5	2.4	76.9	2.8
	65	34.0	1.2	41.3	1.4	48.1	1.7	57.6	2.1	67.5	2.5	76.9	2.9
	70	34.0	1.3	41.3	1.6	48.1	1.8	57.6	2.2	67.5	2.7	76.9	3.1
	75	34.0	1.4	41.3	1.7	48.1	2.0	57.6	2.5	67.5	2.9	76.9	3.4
	80	34.0	1.5	41.3	1.9	48.1	2.2	57.6	2.7	67.5	3.2	76.9	3.8
	85	34.0	1.7	41.3	2.1	48.1	2.4	57.6	3.0	67.5	3.5	76.9	4.1
	90	34.0	1.8	41.3	2.3	48.1	2.7	57.6	3.2	67.5	3.9	76.9	4.5
	95	34.0	2.0	41.3	2.5	48.1	2.9	57.6	3.5	67.5	4.2	76.9	5.0
100	34.0	2.2	41.3	2.7	48.1	3.2	57.6	3.9	67.5	4.6	76.9	5.4	
105	34.0	2.4	41.3	2.9	48.1	3.4	57.6	4.2	67.5	5.0	76.9	5.8	
110	34.0	2.5	41.3	3.1	48.1	3.7	57.6	4.5	67.5	5.3	76.9	6.2	
115	34.0	2.7	41.3	3.3	48.1	3.9	57.6	4.7	67.5	5.6	76.9	6.6	
118	34.0	2.7	41.3	3.4	48.1	4.0	57.6	4.8	67.5	5.8	76.9	6.8	
125	34.0	2.9	41.3	3.5	48.1	4.1	55.4	4.9	57.0	5.1	58.1	5.3	

NOTE - Power Input = Compressor + Outdoor Fan Motor.
MBH = 1000 BTUs per hour.

COOLING CAPACITY - SINGLE MODULE | VPB096L4

Combination (%)	Outdoor Temperature °F (Dry Bulb)	Indoor Temperature - °F (Dry Bulb / Wet Bulb)											
		67 / 57		71 / 60		75 / 63		80 / 67		85 / 71		90 / 75	
		Total Cap.	Power Input	Total Cap.	Power Input	Total Cap.	Power Input	Total Cap.	Power Input	Total Cap.	Power Input	Total Cap.	Power Input
		MBH	kW	MBH	kW	MBH	kW	MBH	kW	MBH	kW	MBH	kW
50%	-10	27.3	0.6	34.4	0.8	40.1	1.0	48.0	1.2	56.2	1.4	64.1	1.7
	-5	28.3	0.7	34.4	0.9	40.1	1.0	48.0	1.3	56.2	1.5	64.1	1.8
	10	28.3	0.7	34.4	0.9	40.1	1.1	48.0	1.3	56.2	1.6	64.1	1.8
	15	28.3	0.7	34.4	0.9	40.1	1.1	48.0	1.3	56.2	1.6	64.1	1.9
	20	28.3	0.8	34.4	0.9	40.1	1.1	48.0	1.4	56.2	1.6	64.1	1.9
	25	28.3	0.8	34.4	1.0	40.1	1.1	48.0	1.4	56.2	1.7	64.1	1.9
	30	28.3	0.8	34.4	1.0	40.1	1.2	48.0	1.4	56.2	1.7	64.1	2.0
	35	28.3	0.8	34.4	1.0	40.1	1.2	48.0	1.4	56.2	1.7	64.1	2.0
	40	28.3	0.8	34.4	1.0	40.1	1.2	48.0	1.5	56.2	1.8	64.1	2.1
	45	28.3	0.9	34.4	1.1	40.1	1.2	48.0	1.5	56.2	1.8	64.1	2.1
	50	28.3	0.9	34.4	1.1	40.1	1.3	48.0	1.6	56.2	1.9	64.1	2.2
	55	28.3	0.9	34.4	1.1	40.1	1.3	48.0	1.6	56.2	1.9	64.1	2.2
	60	28.3	0.9	34.4	1.1	40.1	1.4	48.0	1.6	56.2	2.0	64.1	2.3
	65	28.3	1.0	34.4	1.2	40.1	1.4	48.0	1.7	56.2	2.0	64.1	2.4
	70	28.3	1.0	34.4	1.3	40.1	1.5	48.0	1.8	56.2	2.2	64.1	2.6
	75	28.3	1.1	34.4	1.4	40.1	1.7	48.0	2.0	56.2	2.4	64.1	2.8
	80	28.3	1.3	34.4	1.5	40.1	1.8	48.0	2.2	56.2	2.7	64.1	3.1
	85	28.3	1.4	34.4	1.7	40.1	2.0	48.0	2.4	56.2	2.9	64.1	3.4
	90	28.3	1.5	34.4	1.9	40.1	2.2	48.0	2.7	56.2	3.2	64.1	3.7
	95	28.3	1.6	34.4	2.0	40.1	2.4	48.0	2.9	56.2	3.5	64.1	4.1
100	28.3	1.8	34.4	2.2	40.1	2.6	48.0	3.2	56.2	3.8	64.1	4.4	
105	28.3	1.9	34.4	2.4	40.1	2.8	48.0	3.4	56.2	4.1	64.1	4.8	
110	28.3	2.1	34.4	2.5	40.1	3.0	48.0	3.7	56.2	4.4	64.1	5.1	
115	28.3	2.2	34.4	2.7	40.1	3.2	48.0	3.9	56.2	4.6	64.1	5.4	
118	28.3	2.2	34.4	2.8	40.1	3.3	48.0	4.0	56.2	4.8	64.1	5.6	
125	28.3	2.3	34.4	2.9	40.1	3.4	48.0	4.2	56.2	5.0	58.1	5.3	

NOTE - Power Input = Compressor + Outdoor Fan Motor.
 MBH = 1000 BTUs per hour.

HEATING CAPACITY - SINGLE MODULE | VPB096L4

Combination (%)	Outdoor Temperature (°F)		Indoor Temperature - °F Dry Bulb											
			61		64		67		70		73		75	
	Dry Bulb	Wet Bulb	Total Cap. MBH	Power Input kW	Total Cap. MBH	Power Input kW	Total Cap. MBH	Power Input kW	Total Cap. MBH	Power Input kW	Total Cap. MBH	Power Input kW	Total Cap. MBH	Power Input kW
130%	-22	-23	71.7	9.80	70.1	10.11	68.8	10.41	67.4	10.75	66.2	11.09	65.4	11.33
	-17	-18	87.0	10.30	85.4	10.59	84.0	10.88	82.6	11.20	81.3	11.54	80.5	11.76
	-13	-14	100.4	10.50	98.8	10.78	97.3	11.05	95.9	11.35	94.5	11.67	93.7	11.88
	-8	-9	104.8	10.70	103.5	11.00	102.3	11.29	101.1	11.62	100.0	11.96	99.4	12.18
	-3	-4	109.6	10.90	108.5	11.22	107.5	11.53	106.5	11.88	105.6	12.23	105.1	12.47
	2	1	113.7	11.45	112.7	11.80	111.8	12.13	110.9	12.50	110.0	12.88	109.5	13.13
	7	6	119.0	11.48	118.0	11.82	117.1	12.16	116.2	12.53	115.3	12.91	114.8	13.17
	12	10	123.8	11.54	122.8	11.89	121.9	12.23	121.0	12.60	120.1	12.99	119.6	13.25
	17	15	130.7	11.68	129.7	12.03	128.8	12.38	127.8	12.76	126.9	13.15	125.8	13.02
	22	20	138.0	11.87	137.0	12.23	136.0	12.58	135.1	12.96	131.5	12.53	125.8	11.90
	27	24	144.7	12.07	143.7	12.43	142.7	12.78	140.4	12.57	131.5	11.60	125.8	11.00
	32	29	153.1	12.34	152.0	12.71	149.3	12.34	140.4	11.43	131.5	10.56	125.8	9.99
	37	34	162.3	12.67	157.6	12.00	149.3	11.19	140.4	10.36	131.5	9.55	125.8	9.04
	42	38	166.5	11.94	157.6	11.11	149.3	10.35	140.4	9.58	131.5	8.82	125.8	8.34
	47	43	166.5	10.81	157.6	10.06	149.3	9.36	140.4	8.66	131.5	7.99	125.8	7.62
	52	47	166.5	9.98	157.6	9.28	149.3	8.65	140.4	7.99	131.5	7.45	125.8	7.10
	57	52	166.5	9.02	157.6	8.38	149.3	7.80	140.4	7.29	131.5	6.79	125.8	6.47
	62	56	166.5	8.31	157.6	7.72	149.3	7.25	140.4	6.76	131.5	6.30	125.8	6.00
	67	61	166.5	7.49	157.6	7.01	149.3	6.59	140.4	6.15	131.5	5.71	125.8	5.44
	72	66	166.5	6.77	157.6	6.35	149.3	5.96	140.4	5.56	131.5	5.17	125.8	4.94
75	69	166.5	6.37	157.6	5.97	149.3	5.61	140.4	5.23	131.5	4.88	125.8	4.66	
80	74	166.5	5.78	157.6	5.42	149.3	5.10	140.4	4.78	131.5	4.47	125.8	4.27	
120%	-22	-23	70.7	9.94	69.2	10.25	67.9	10.56	66.6	10.90	65.4	11.24	64.7	11.48
	-17	-18	85.7	10.46	84.1	10.76	82.8	11.05	81.5	11.37	80.3	11.71	79.5	11.93
	-13	-14	98.9	10.67	97.4	10.95	96.0	11.23	94.6	11.54	93.4	11.86	92.6	12.07
	-8	-9	103.5	10.89	102.2	11.20	101.1	11.50	100.0	11.83	99.0	12.18	98.4	12.41
	-3	-4	108.4	11.12	107.3	11.44	106.4	11.76	105.5	12.11	104.6	12.48	104.1	12.72
	2	1	112.6	11.70	111.6	12.04	110.7	12.38	109.8	12.76	109.0	13.15	108.5	13.41
	7	6	117.8	11.73	116.8	12.09	116.0	12.43	115.1	12.81	114.3	13.20	116.1	13.74
	12	10	122.6	11.81	121.6	12.17	120.8	12.52	119.9	12.90	121.4	13.55	116.1	12.80
	17	15	129.4	11.97	128.4	12.33	127.6	12.68	126.7	13.07	121.4	12.33	116.1	11.75
	22	20	136.7	12.18	135.7	12.55	134.8	12.90	129.6	12.16	121.4	11.29	116.1	10.74
	27	24	143.3	12.40	142.3	12.77	137.8	12.10	129.6	11.25	121.4	10.43	116.1	9.89
	32	29	153.7	12.74	145.5	11.77	137.8	11.02	129.6	10.23	121.4	9.47	116.1	8.98
	37	34	153.7	11.43	145.5	10.66	137.8	9.98	129.6	9.25	121.4	8.55	116.1	8.12
	42	38	153.7	10.57	145.5	9.86	137.8	9.21	129.6	8.55	121.4	7.92	116.1	7.59
	47	43	153.7	9.55	145.5	8.91	137.8	8.32	129.6	7.75	121.4	7.26	116.1	6.94
	52	47	153.7	8.82	145.5	8.23	137.8	7.70	129.6	7.22	121.4	6.75	116.1	6.46
	57	52	153.7	7.95	145.5	7.45	137.8	7.02	129.6	6.58	121.4	6.15	116.1	5.87
	62	56	153.7	7.35	145.5	6.91	137.8	6.51	129.6	6.10	121.4	5.69	116.1	5.44
	67	61	153.7	6.67	145.5	6.26	137.8	5.90	129.6	5.52	121.4	5.16	116.1	4.92
	72	66	153.7	6.03	145.5	5.67	137.8	5.34	129.6	5.01	121.4	4.68	116.1	4.48
75	69	153.7	5.66	145.5	5.33	137.8	5.02	129.6	4.71	121.4	4.42	116.1	4.23	
80	74	153.7	5.14	145.5	4.84	137.8	4.58	129.6	4.32	121.4	4.06	116.1	3.89	

NOTE - Power Input = Compressor + Outdoor Fan Motor.
 MBH = 1000 BTUs per hour.

HEATING CAPACITY - SINGLE MODULE | VPB096L4

Combination (%)	Outdoor Temperature (°F)		Indoor Temperature - °F Dry Bulb											
			61		64		67		70		73		75	
	Dry Bulb	Wet Bulb	Total Cap. MBH	Power Input kW	Total Cap. MBH	Power Input kW	Total Cap. MBH	Power Input kW	Total Cap. MBH	Power Input kW	Total Cap. MBH	Power Input kW	Total Cap. MBH	Power Input kW
110%	-22	-23	69.6	10.10	68.2	10.42	67.0	10.73	65.8	11.07	64.6	11.42	63.9	11.66
	-17	-18	84.3	10.64	82.8	10.95	81.6	11.24	80.3	11.57	79.2	11.91	78.5	12.14
	-13	-14	97.4	10.88	95.9	11.16	94.6	11.45	93.3	11.76	92.1	12.09	91.4	12.31
	-8	-9	102.1	11.13	100.9	11.44	99.9	11.75	98.8	12.08	97.9	12.44	97.3	12.67
	-3	-4	107.1	11.38	106.2	11.71	105.3	12.04	104.4	12.40	103.6	12.77	103.1	13.02
	2	1	111.3	11.99	110.4	12.34	109.6	12.69	108.7	13.07	108.0	13.47	106.4	13.32
	7	6	116.6	12.04	115.7	12.40	114.8	12.76	114.0	13.14	111.3	12.89	106.4	12.37
	12	10	121.3	12.14	120.4	12.50	119.6	12.86	118.8	13.00	111.3	12.11	106.4	11.59
	17	15	128.1	12.32	127.2	12.69	126.3	12.75	118.8	11.88	111.3	11.09	106.4	10.58
	22	20	135.3	12.55	133.4	12.39	126.3	11.63	118.8	10.86	111.3	10.10	106.4	9.61
	27	24	140.9	12.22	133.4	11.45	126.3	10.75	118.8	10.02	111.3	9.30	106.4	8.84
	32	29	140.9	11.11	133.4	10.41	126.3	9.76	118.8	9.08	111.3	8.42	106.4	8.03
	37	34	140.9	10.06	133.4	9.41	126.3	8.81	118.8	8.20	111.3	7.68	106.4	7.37
	42	38	140.9	9.29	133.4	8.68	126.3	8.13	118.8	7.63	111.3	7.17	106.4	6.88
	47	43	140.9	8.39	133.4	7.83	126.3	7.42	118.8	6.98	111.3	6.55	106.4	6.28
	52	47	140.9	7.72	133.4	7.29	126.3	6.90	118.8	6.49	111.3	6.09	106.4	5.83
	57	52	140.9	7.03	133.4	6.64	126.3	6.28	118.8	5.90	111.3	5.53	106.4	5.30
	62	56	140.9	6.52	133.4	6.15	126.3	5.81	118.8	5.46	111.3	5.11	106.4	4.90
	67	61	140.9	5.90	133.4	5.57	126.3	5.26	118.8	4.95	111.3	4.63	106.4	4.44
	72	66	140.9	5.33	133.4	5.04	126.3	4.76	118.8	4.48	111.3	4.21	106.4	4.04
75	69	140.9	5.02	133.4	4.74	126.3	4.49	118.8	4.24	111.3	3.98	106.4	3.83	
80	74	140.9	4.56	133.4	4.33	126.3	4.11	118.8	3.88	111.3	3.69	106.4	3.65	
100%	-22	-23	68.4	10.30	67.1	10.62	65.9	10.93	64.8	11.27	63.7	11.63	63.1	11.87
	-17	-18	82.8	10.87	81.5	11.18	80.3	11.48	79.2	11.81	78.1	12.16	77.4	12.39
	-13	-14	95.7	11.12	94.4	11.42	93.2	11.71	92.0	12.03	90.9	12.37	90.2	12.59
	-8	-9	100.7	11.41	99.6	11.73	98.6	12.05	97.6	12.39	96.7	12.76	96.8	12.99
	-3	-4	105.8	11.70	104.9	12.04	104.1	12.38	103.3	12.75	101.2	12.68	96.8	12.23
	2	1	110.0	12.34	109.2	12.71	108.4	13.07	108.0	13.34	101.2	12.54	96.8	12.10
	7	6	115.3	12.42	114.4	12.79	114.8	13.18	108.0	12.34	101.2	11.63	96.8	11.17
	12	10	120.0	12.53	121.2	13.12	114.8	12.28	108.0	11.58	101.2	10.87	96.8	10.41
	17	15	128.1	12.75	121.2	11.92	114.8	11.26	108.0	10.57	101.2	9.88	96.8	9.43
	22	20	128.1	11.58	121.2	10.90	114.8	10.27	108.0	9.60	101.2	8.96	96.8	8.53
	27	24	128.1	10.69	121.2	10.05	114.8	9.46	108.0	8.83	101.2	8.22	96.8	7.88
	32	29	128.1	9.71	121.2	9.12	114.8	8.56	108.0	7.99	101.2	7.54	96.8	7.25
	37	34	128.1	8.77	121.2	8.22	114.8	7.75	108.0	7.33	101.2	6.92	96.8	6.65
	42	38	128.1	8.09	121.2	7.62	114.8	7.24	108.0	6.84	101.2	6.45	96.8	6.20
	47	43	128.1	7.34	121.2	6.96	114.8	6.61	108.0	6.25	101.2	5.88	96.8	5.65
	52	47	128.1	6.83	121.2	6.48	114.8	6.14	108.0	5.80	101.2	5.45	96.8	5.23
	57	52	128.1	6.21	121.2	5.88	114.8	5.58	108.0	5.26	101.2	4.94	96.8	4.74
	62	56	128.1	5.74	121.2	5.44	114.8	5.16	108.0	4.86	101.2	4.56	96.8	4.38
	67	61	128.1	5.19	121.2	4.92	114.8	4.67	108.0	4.40	101.2	4.14	96.8	3.97
	72	66	128.1	4.69	121.2	4.45	114.8	4.23	108.0	3.99	101.2	3.77	96.8	3.72
75	69	128.1	4.42	121.2	4.20	114.8	3.99	108.0	3.78	101.2	3.67	96.8	3.55	
80	74	128.1	4.03	121.2	3.85	114.8	3.67	108.0	3.59	101.2	3.42	96.8	3.30	

NOTE - Power Input = Compressor + Outdoor Fan Motor.
 MBH = 1000 BTUs per hour.

HEATING CAPACITY - SINGLE MODULE | VPB096L4

Combination (%)	Outdoor Temperature (°F)		Indoor Temperature - °F Dry Bulb											
			61		64		67		70		73		75	
	Dry Bulb	Wet Bulb	Total Cap. MBH	Power Input kW	Total Cap. MBH	Power Input kW	Total Cap. MBH	Power Input kW	Total Cap. MBH	Power Input kW	Total Cap. MBH	Power Input kW	Total Cap. MBH	Power Input kW
90%	-22	-23	67.1	10.53	65.9	10.86	64.8	11.17	63.7	11.52	62.7	11.88	62.1	12.13
	-17	-18	81.3	11.14	80.1	11.46	79.0	11.77	77.9	12.11	76.9	12.46	76.3	12.70
	-13	-14	94.0	11.43	92.7	11.74	91.6	12.04	90.6	12.37	91.1	12.92	87.1	12.64
	-8	-9	99.1	11.76	98.1	12.10	97.2	12.42	97.2	12.81	91.1	12.27	87.1	11.95
	-3	-4	104.5	12.09	103.6	12.45	103.3	12.71	97.2	12.06	91.1	11.53	87.1	11.18
	2	1	108.7	12.78	109.1	13.22	103.3	12.52	97.2	11.93	91.1	11.34	87.1	10.94
	7	6	115.3	12.94	109.1	12.20	103.3	11.63	97.2	11.02	91.1	10.41	87.1	10.00
	12	10	115.3	12.05	109.1	11.45	103.3	10.88	97.2	10.27	91.1	9.65	87.1	9.25
	17	15	115.3	11.05	109.1	10.46	103.3	9.89	97.2	9.29	91.1	8.70	87.1	8.32
	22	20	115.3	10.07	109.1	9.50	103.3	8.97	97.2	8.41	91.1	7.89	87.1	7.61
	27	24	115.3	9.27	109.1	8.73	103.3	8.23	97.2	7.76	91.1	7.35	87.1	7.08
	32	29	115.3	8.39	109.1	7.89	103.3	7.52	97.2	7.14	91.1	6.76	87.1	6.52
	37	34	115.3	7.58	109.1	7.23	103.3	6.89	97.2	6.54	91.1	6.19	87.1	5.97
	42	38	115.3	7.08	109.1	6.74	103.3	6.42	97.2	6.09	91.1	5.76	87.1	5.55
	47	43	115.3	6.46	109.1	6.15	103.3	5.85	97.2	5.55	91.1	5.24	87.1	5.04
	52	47	115.3	6.00	109.1	5.70	103.3	5.43	97.2	5.13	91.1	4.85	87.1	4.66
	57	52	115.3	5.43	109.1	5.16	103.3	4.91	97.2	4.64	91.1	4.38	87.1	4.21
	62	56	115.3	5.02	109.1	4.77	103.3	4.54	97.2	4.29	91.1	4.05	87.1	3.89
	67	61	115.3	4.53	109.1	4.31	103.3	4.10	97.2	3.88	91.1	3.75	87.1	3.64
	72	66	115.3	4.10	109.1	3.91	103.3	3.73	97.2	3.64	91.1	3.46	87.1	3.33
75	69	115.3	3.87	109.1	3.70	103.3	3.59	97.2	3.47	91.1	3.29	87.1	3.18	
80	74	115.3	3.55	109.1	3.49	103.3	3.38	97.2	3.23	91.1	3.08	87.1	2.99	
80%	-22	-23	65.7	10.82	64.5	11.16	63.6	11.48	62.6	11.83	61.7	12.20	61.1	12.45
	-17	-18	79.7	11.49	78.5	11.82	77.5	12.13	76.6	12.48	75.7	12.85	75.1	13.09
	-13	-14	92.1	11.82	91.0	12.14	91.9	12.71	86.4	12.35	80.9	11.97	77.4	11.71
	-8	-9	97.5	12.21	97.0	12.48	91.9	12.07	86.4	11.66	80.9	11.23	77.4	10.95
	-3	-4	102.5	12.29	97.0	11.76	91.9	11.35	86.4	10.90	80.9	10.44	77.4	10.13
	2	1	102.5	12.12	97.0	11.63	91.9	11.16	86.4	10.65	80.9	10.13	77.4	9.79
	7	6	102.5	11.25	97.0	10.74	91.9	10.25	86.4	9.72	80.9	9.19	77.4	8.84
	12	10	102.5	10.51	97.0	9.99	91.9	9.50	86.4	8.98	80.9	8.45	77.4	8.12
	17	15	102.5	9.55	97.0	9.04	91.9	8.57	86.4	8.07	80.9	7.65	77.4	7.38
	22	20	102.5	8.64	97.0	8.17	91.9	7.76	86.4	7.39	80.9	7.01	77.4	6.78
	27	24	102.5	7.92	97.0	7.55	91.9	7.22	86.4	6.88	80.9	6.53	77.4	6.31
	32	29	102.5	7.25	97.0	6.94	91.9	6.64	86.4	6.32	80.9	6.01	77.4	5.81
	37	34	102.5	6.64	97.0	6.34	91.9	6.07	86.4	5.78	80.9	5.49	77.4	5.30
	42	38	102.5	6.19	97.0	5.91	91.9	5.65	86.4	5.38	80.9	5.10	77.4	4.92
	47	43	102.5	5.63	97.0	5.37	91.9	5.13	86.4	4.87	80.9	4.62	77.4	4.45
	52	47	102.5	5.22	97.0	4.97	91.9	4.74	86.4	4.50	80.9	4.27	77.4	4.11
	57	52	102.5	4.71	97.0	4.49	91.9	4.28	86.4	4.06	80.9	3.86	77.4	3.81
	62	56	102.5	4.35	97.0	4.14	91.9	3.95	86.4	3.77	80.9	3.66	77.4	3.52
	67	61	102.5	3.92	97.0	3.74	91.9	3.65	86.4	3.51	80.9	3.32	77.4	3.20
	72	66	102.5	3.56	97.0	3.53	91.9	3.37	86.4	3.21	80.9	3.05	77.4	2.95
75	69	102.5	3.48	97.0	3.35	91.9	3.21	86.4	3.06	80.9	2.92	77.4	2.83	
80	74	102.5	3.23	97.0	3.11	91.9	2.99	86.4	2.88	80.9	2.74	77.4	2.64	

NOTE - Power Input = Compressor + Outdoor Fan Motor.
 MBH = 1000 BTUs per hour.

HEATING CAPACITY - SINGLE MODULE | VPB096L4

Combination (%)	Outdoor Temperature (°F)		Indoor Temperature - °F Dry Bulb											
			61		64		67		70		73		75	
	Dry Bulb	Wet Bulb	Total Cap. MBH	Power Input kW	Total Cap. MBH	Power Input kW	Total Cap. MBH	Power Input kW	Total Cap. MBH	Power Input kW	Total Cap. MBH	Power Input kW	Total Cap. MBH	Power Input kW
70%	-22	-23	64.1	11.20	63.1	11.54	62.2	11.87	61.3	12.24	60.6	12.62	60.1	12.87
	-17	-18	77.9	11.95	76.9	12.28	76.0	12.61	75.6	13.05	70.8	12.72	67.7	12.50
	-13	-14	89.7	12.22	84.9	11.92	80.4	11.64	75.6	11.32	70.8	10.99	67.7	10.76
	-8	-9	89.7	11.57	84.9	11.24	80.4	10.91	75.6	10.55	70.8	10.18	67.7	9.94
	-3	-4	89.7	10.85	84.9	10.48	80.4	10.12	75.6	9.73	70.8	9.33	67.7	9.06
	2	1	89.7	10.63	84.9	10.22	80.4	9.81	75.6	9.37	70.8	8.93	67.7	8.63
	7	6	89.7	9.74	84.9	9.30	80.4	8.89	75.6	8.44	70.8	7.99	67.7	7.69
	12	10	89.7	9.01	84.9	8.58	80.4	8.17	75.6	7.75	70.8	7.36	67.7	7.11
	17	15	89.7	8.10	84.9	7.71	80.4	7.39	75.6	7.05	70.8	6.72	67.7	6.50
	22	20	89.7	7.37	84.9	7.06	80.4	6.78	75.6	6.48	70.8	6.18	67.7	5.99
	27	24	89.7	6.85	84.9	6.57	80.4	6.31	75.6	6.04	70.8	5.76	67.7	5.58
	32	29	89.7	6.29	84.9	6.04	80.4	5.80	75.6	5.54	70.8	5.29	67.7	5.12
	37	34	89.7	5.75	84.9	5.51	80.4	5.29	75.6	5.06	70.8	4.81	67.7	4.66
	42	38	89.7	5.34	84.9	5.12	80.4	4.91	75.6	4.68	70.8	4.46	67.7	4.31
	47	43	89.7	4.84	84.9	4.64	80.4	4.44	75.6	4.23	70.8	4.03	67.7	3.93
	52	47	89.7	4.47	84.9	4.28	80.4	4.09	75.6	3.90	70.8	3.80	67.7	3.67
	57	52	89.7	4.03	84.9	3.85	80.4	3.74	75.6	3.61	70.8	3.43	67.7	3.30
	62	56	89.7	3.71	84.9	3.64	80.4	3.51	75.6	3.34	70.8	3.16	67.7	3.06
	67	61	89.7	3.49	84.9	3.33	80.4	3.19	75.6	3.04	70.8	2.89	67.7	2.79
	72	66	89.7	3.17	84.9	3.05	80.4	2.92	75.6	2.80	70.8	2.67	67.7	2.60
75	69	89.7	3.02	84.9	2.90	80.4	2.79	75.6	2.69	70.8	2.57	67.7	2.51	
80	74	89.7	2.91	84.9	2.81	80.4	2.69	75.6	2.56	70.8	2.44	67.7	2.35	
60%	-22	-23	62.4	11.71	61.5	12.06	60.8	12.40	60.0	12.78	59.3	13.17	58.1	13.30
	-17	-18	76.8	12.71	72.7	12.47	68.9	12.23	64.8	11.96	60.7	11.68	58.1	11.50
	-13	-14	76.8	11.03	72.7	10.78	68.9	10.53	64.8	10.26	60.7	9.98	58.1	9.80
	-8	-9	76.8	10.29	72.7	10.01	68.9	9.73	64.8	9.43	60.7	9.12	58.1	8.91
	-3	-4	76.8	9.50	72.7	9.18	68.9	8.88	64.8	8.55	60.7	8.21	58.1	7.98
	2	1	76.8	9.15	72.7	8.80	68.9	8.47	64.8	8.07	60.7	7.61	58.1	7.31
	7	6	76.8	8.24	72.7	7.89	68.9	7.54	64.8	7.18	60.7	6.82	58.1	6.60
	12	10	76.8	7.57	72.7	7.25	68.9	6.96	64.8	6.66	60.7	6.35	58.1	6.16
	17	15	76.8	6.87	72.7	6.61	68.9	6.36	64.8	6.10	60.7	5.84	58.1	5.67
	22	20	76.8	6.31	72.7	6.07	68.9	5.85	64.8	5.62	60.7	5.38	58.1	5.23
	27	24	76.8	5.87	72.7	5.65	68.9	5.45	64.8	5.23	60.7	5.01	58.1	4.87
	32	29	76.8	5.39	72.7	5.19	68.9	5.00	64.8	4.80	60.7	4.59	58.1	4.46
	37	34	76.8	4.91	72.7	4.72	68.9	4.55	64.8	4.36	60.7	4.17	58.1	4.04
	42	38	76.8	4.54	72.7	4.37	68.9	4.20	64.8	4.02	60.7	3.91	58.1	3.80
	47	43	76.8	4.10	72.7	3.94	68.9	3.82	64.8	3.71	60.7	3.53	58.1	3.42
	52	47	76.8	3.77	72.7	3.71	68.9	3.58	64.8	3.41	60.7	3.25	58.1	3.14
	57	52	76.8	3.51	72.7	3.36	68.9	3.22	64.8	3.07	60.7	2.92	58.1	2.83
	62	56	76.8	3.23	72.7	3.10	68.9	2.98	64.8	2.84	60.7	2.70	58.1	2.62
	67	61	76.8	2.93	72.7	2.82	68.9	2.71	64.8	2.60	60.7	2.48	58.1	2.41
	72	66	76.8	2.69	72.7	2.60	68.9	2.51	64.8	2.42	60.7	2.32	58.1	2.26
75	69	76.8	2.58	72.7	2.49	68.9	2.42	64.8	2.34	60.7	2.26	58.1	2.21	
80	74	76.8	2.55	72.7	2.44	68.9	2.34	64.8	2.23	60.7	2.11	58.1	2.03	

NOTE - Power Input = Compressor + Outdoor Fan Motor.
 MBH = 1000 BTUs per hour.

HEATING CAPACITY - SINGLE MODULE | VPB096L4

Combination (%)	Outdoor Temperature (°F)		Indoor Temperature - °F Dry Bulb											
			61		64		67		70		73		75	
	Dry Bulb	Wet Bulb	Total Cap. MBH	Power Input kW	Total Cap. MBH	Power Input kW	Total Cap. MBH	Power Input kW	Total Cap. MBH	Power Input kW	Total Cap. MBH	Power Input kW	Total Cap. MBH	Power Input kW
50%	-22	-23	60.5	12.43	60.6	12.98	57.4	12.81	54.0	12.62	50.6	12.42	48.4	12.28
	-17	-18	64.0	11.45	60.6	11.25	57.4	11.06	54.0	10.85	50.6	10.62	48.4	10.48
	-13	-14	64.0	9.81	60.6	9.61	57.4	9.41	54.0	9.19	50.6	8.97	48.4	8.81
	-8	-9	64.0	8.99	60.6	8.76	57.4	8.54	54.0	8.29	50.6	8.02	48.4	7.52
	-3	-4	64.0	8.13	60.6	7.88	57.4	7.56	54.0	7.09	50.6	6.64	48.4	6.35
	2	1	64.0	7.62	60.6	7.27	57.4	6.95	54.0	6.61	50.6	6.27	48.4	6.06
	7	6	64.0	6.79	60.6	6.53	57.4	6.28	54.0	6.02	50.6	5.76	48.4	5.59
	12	10	64.0	6.30	60.6	6.07	57.4	5.86	54.0	5.63	50.6	5.41	48.4	5.26
	17	15	64.0	5.77	60.6	5.58	57.4	5.39	54.0	5.20	50.6	5.00	48.4	4.87
	22	20	64.0	5.32	60.6	5.14	57.4	4.98	54.0	4.80	50.6	4.62	48.4	4.50
	27	24	64.0	4.95	60.6	4.78	57.4	4.63	54.0	4.47	50.6	4.30	48.4	4.19
	32	29	64.0	4.53	60.6	4.38	57.4	4.23	54.0	4.08	50.6	3.98	48.4	3.88
	37	34	64.0	4.11	60.6	3.96	57.4	3.88	54.0	3.76	50.6	3.60	48.4	3.50
	42	38	64.0	3.79	60.6	3.75	57.4	3.61	54.0	3.46	50.6	3.32	48.4	3.22
	47	43	64.0	3.50	60.6	3.37	57.4	3.24	54.0	3.10	50.6	2.97	48.4	2.88
	52	47	64.0	3.21	60.6	3.09	57.4	2.97	54.0	2.85	50.6	2.72	48.4	2.64
	57	52	64.0	2.89	60.6	2.77	57.4	2.67	54.0	2.56	50.6	2.45	48.4	2.37
	62	56	64.0	2.66	60.6	2.56	57.4	2.47	54.0	2.37	50.6	2.27	48.4	2.20
67	61	64.0	2.43	60.6	2.35	57.4	2.27	54.0	2.18	50.6	2.10	48.4	2.05	
72	66	64.0	2.25	60.6	2.19	57.4	2.13	54.0	2.06	50.6	1.99	48.4	1.95	
75	69	64.0	2.20	60.6	2.13	57.4	2.07	54.0	2.02	50.6	1.96	48.4	1.93	
80	74	64.0	2.16	60.6	2.07	57.4	1.98	54.0	1.88	50.6	1.80	48.4	1.68	

NOTE - Power Input = Compressor + Outdoor Fan Motor.
 MBH = 1000 BTUs per hour.

COOLING CAPACITY - SINGLE MODULE | VPB120L4

Combination (%)	Outdoor Temperature °F (Dry Bulb)	Indoor Temperature - °F (Dry Bulb / Wet Bulb)											
		67 / 57		71 / 60		75 / 63		80 / 67		85 / 71		90 / 75	
		Total Cap.	Power Input	Total Cap.	Power Input	Total Cap.	Power Input	Total Cap.	Power Input	Total Cap.	Power Input	Total Cap.	Power Input
		MBH	KW	MBH	KW	MBH	KW	MBH	KW	MBH	KW	MBH	KW
130%	-10	92.0	2.9	111.8	3.6	130.4	4.2	156.0	5.1	182.8	6.2	200.9	6.9
	-5	92.0	3.1	111.8	3.8	130.4	4.5	156.0	5.5	182.8	6.5	190.4	7.0
	10	92.0	3.2	111.8	3.9	130.4	4.6	156.0	5.6	182.8	6.7	186.7	7.0
	15	92.0	3.2	111.8	4.0	130.4	4.7	156.0	5.7	180.2	6.7	182.6	7.0
	20	92.0	3.3	111.8	4.0	130.4	4.8	156.0	5.8	176.0	6.7	178.4	7.0
	25	92.0	3.4	111.8	4.1	130.4	4.9	156.0	6.0	171.7	6.7	174.1	7.0
	30	92.0	3.4	111.8	4.2	130.4	5.0	156.0	6.1	167.6	6.7	170.0	7.0
	35	92.0	3.5	111.8	4.3	130.4	5.1	156.0	6.2	163.6	6.7	166.0	7.0
	40	92.0	3.6	111.8	4.4	130.4	5.2	156.0	6.4	161.1	6.8	163.5	7.0
	45	92.0	3.7	111.8	4.6	130.4	5.4	156.0	6.6	160.1	6.9	162.5	7.1
	50	92.0	3.8	111.8	4.7	130.4	5.5	156.0	6.7	159.3	7.0	161.7	7.3
	55	92.0	3.9	111.8	4.8	130.4	5.7	156.0	6.9	158.7	7.2	161.1	7.5
	60	92.0	4.0	111.8	4.9	130.4	5.8	156.0	7.1	158.9	7.4	160.6	7.6
	65	92.0	4.1	111.8	5.1	130.4	6.0	156.0	7.3	157.1	7.5	160.1	7.8
	70	92.0	4.5	111.8	5.5	130.4	6.5	156.0	7.9	156.4	8.1	159.4	8.5
	75	92.0	4.9	111.8	6.0	130.4	7.1	153.0	8.5	155.4	8.9	158.4	9.3
	80	92.0	5.4	111.8	6.6	130.4	7.8	151.5	9.3	153.9	9.6	156.9	10.1
	85	92.0	5.9	111.8	7.3	130.4	8.6	149.2	10.0	151.6	10.4	154.5	10.9
	90	92.0	6.5	111.8	8.0	130.4	9.4	145.7	10.7	148.1	11.1	151.0	11.6
	95	92.0	7.1	111.8	8.7	130.4	10.3	133.0	10.7	135.4	11.1	137.8	11.6
	100	92.0	7.7	111.8	9.5	124.1	10.6	126.5	11.1	128.9	11.5	131.4	12.0
105	92.0	8.3	111.8	10.2	114.8	10.6	117.2	11.1	120.6	11.6	123.0	12.1	
110	92.0	8.9	100.4	9.8	102.8	10.2	106.8	10.8	109.9	11.3	112.0	11.8	
115	84.7	8.7	87.1	9.0	90.1	9.4	93.6	10.0	96.4	10.5	98.2	11.0	
118	74.9	7.9	78.2	8.3	80.9	8.7	84.0	9.2	86.5	9.7	88.2	10.1	
125	50.8	5.6	53.1	5.9	54.9	6.2	57.0	6.5	58.7	6.9	59.8	7.2	
120%	-10	84.9	2.6	103.2	3.2	120.4	3.8	144.0	4.7	168.7	5.6	192.4	6.5
	-5	84.9	2.8	103.2	3.4	120.4	4.1	144.0	5.0	168.7	5.9	187.2	6.8
	10	84.9	2.9	103.2	3.5	120.4	4.2	144.0	5.1	168.7	6.1	183.5	6.8
	15	84.9	2.9	103.2	3.6	120.4	4.2	144.0	5.2	168.7	6.2	179.4	6.8
	20	84.9	3.0	103.2	3.7	120.4	4.3	144.0	5.3	168.7	6.3	175.3	6.7
	25	84.9	3.1	103.2	3.8	120.4	4.4	144.0	5.4	168.7	6.5	171.0	6.7
	30	84.9	3.1	103.2	3.8	120.4	4.5	144.0	5.5	164.5	6.5	166.9	6.7
	35	84.9	3.2	103.2	3.9	120.4	4.7	144.0	5.7	160.6	6.5	163.0	6.7
	40	84.9	3.3	103.2	4.0	120.4	4.8	144.0	5.8	158.0	6.5	160.4	6.8
	45	84.9	3.4	103.2	4.1	120.4	4.9	144.0	6.0	157.0	6.6	159.4	6.9
	50	84.9	3.5	103.2	4.2	120.4	5.0	144.0	6.1	156.2	6.8	158.6	7.0
	55	84.9	3.5	103.2	4.4	120.4	5.1	144.0	6.3	155.6	6.9	158.0	7.2
	60	84.9	3.6	103.2	4.5	120.4	5.3	144.0	6.4	155.7	7.1	157.6	7.4
	65	84.9	3.7	103.2	4.6	120.4	5.4	144.0	6.6	154.1	7.2	157.1	7.6
	70	84.9	4.1	103.2	5.0	120.4	5.9	144.0	7.2	153.5	7.8	156.4	8.2
	75	84.9	4.5	103.2	5.5	120.4	6.5	144.0	7.9	152.5	8.6	155.4	8.9
	80	84.9	4.9	103.2	6.0	120.4	7.1	144.0	8.7	151.0	9.3	153.9	9.7
	85	84.9	5.4	103.2	6.6	120.4	7.8	144.0	9.5	148.7	10.1	151.6	10.5
	90	84.9	5.9	103.2	7.3	120.4	8.6	144.0	10.4	145.3	10.8	148.1	11.2
	95	84.9	6.4	103.2	7.9	120.4	9.4	133.0	10.5	135.4	11.0	137.8	11.4
	100	84.9	7.0	103.2	8.6	120.4	10.2	126.5	10.9	128.9	11.3	131.4	11.8
105	84.9	7.6	103.2	9.3	114.8	10.5	117.2	10.9	120.6	11.5	123.0	12.0	
110	84.9	8.1	100.4	9.7	102.8	10.0	106.8	10.6	109.9	11.2	112.0	11.7	
115	84.9	8.6	87.1	8.9	90.1	9.3	93.6	9.8	96.4	10.4	98.2	10.8	
118	74.9	7.8	78.2	8.2	80.9	8.6	84.0	9.1	86.5	9.6	88.2	10.0	
125	50.8	5.5	53.1	5.8	54.9	6.1	57.0	6.4	58.7	6.8	59.8	7.1	

NOTE - Power Input = Compressor + Outdoor Fan Motor.
MBH = 1000 BTUs per hour.

COOLING CAPACITY - SINGLE MODULE | VPB120L4

Combination (%)	Outdoor Temperature °F (Dry Bulb)	Indoor Temperature - °F (Dry Bulb / Wet Bulb)											
		67 / 57		71 / 60		75 / 63		80 / 67		85 / 71		90 / 75	
		Total Cap.	Power Input	Total Cap.	Power Input	Total Cap.	Power Input	Total Cap.	Power Input	Total Cap.	Power Input	Total Cap.	Power Input
		MBH	kW	MBH	kW	MBH	kW	MBH	kW	MBH	kW	MBH	kW
110%	-10	77.8	2.4	94.6	2.9	110.3	3.5	132.0	4.2	154.7	5.0	176.3	5.9
	-5	77.8	2.5	94.6	3.1	110.3	3.7	132.0	4.5	154.7	5.4	176.3	6.3
	10	77.8	2.6	94.6	3.2	110.3	3.8	132.0	4.6	154.7	5.5	176.3	6.4
	15	77.8	2.6	94.6	3.2	110.3	3.8	132.0	4.7	154.7	5.6	176.3	6.5
	20	77.8	2.7	94.6	3.3	110.3	3.9	132.0	4.8	154.7	5.7	172.2	6.5
	25	77.8	2.8	94.6	3.4	110.3	4.0	132.0	4.9	154.7	5.9	167.9	6.5
	30	77.8	2.8	94.6	3.5	110.3	4.1	132.0	5.0	154.7	6.0	163.8	6.5
	35	77.8	2.9	94.6	3.6	110.3	4.2	132.0	5.1	154.7	6.1	159.9	6.5
	40	77.8	3.0	94.6	3.6	110.3	4.3	132.0	5.2	154.7	6.3	157.3	6.5
	45	77.8	3.0	94.6	3.7	110.3	4.4	132.0	5.4	154.7	6.4	156.3	6.7
	50	77.8	3.1	94.6	3.8	110.3	4.5	132.0	5.5	154.7	6.6	155.6	6.8
	55	77.8	3.2	94.6	3.9	110.3	4.6	132.0	5.7	154.7	6.8	155.0	7.0
	60	77.8	3.3	94.6	4.0	110.3	4.8	132.0	5.8	152.6	6.9	154.5	7.1
	65	77.8	3.4	94.6	4.2	110.3	4.9	132.0	6.0	151.1	7.0	154.0	7.3
	70	77.8	3.7	94.6	4.5	110.3	5.3	132.0	6.5	150.5	7.6	153.4	7.9
	75	77.8	4.0	94.6	5.0	110.3	5.9	132.0	7.1	149.6	8.3	152.4	8.6
	80	77.8	4.4	94.6	5.4	110.3	6.4	132.0	7.8	148.1	9.0	150.9	9.4
	85	77.8	4.9	94.6	6.0	110.3	7.1	132.0	8.6	145.8	9.7	148.6	10.1
	90	77.8	5.3	94.6	6.5	110.3	7.7	132.0	9.4	142.5	10.4	145.3	10.9
	95	77.8	5.8	94.6	7.1	110.3	8.4	132.0	10.3	135.4	10.8	137.8	11.2
100	77.8	6.3	94.6	7.8	110.3	9.2	128.5	10.9	128.9	11.2	131.4	11.7	
105	77.8	6.8	94.6	8.4	110.3	9.9	117.2	10.7	120.6	11.3	123.0	11.8	
110	77.8	7.3	94.6	9.0	102.8	9.9	106.8	10.5	109.9	11.0	112.0	11.5	
115	77.8	7.7	87.1	8.7	90.1	9.2	93.6	9.7	96.4	10.2	98.2	10.7	
118	74.9	7.6	78.2	8.1	80.9	8.5	84.0	8.9	86.5	9.4	88.2	9.8	
125	50.8	5.4	53.1	5.7	54.9	6.0	57.0	6.3	58.7	6.7	59.8	7.0	
100%	-10	70.7	2.1	86.0	2.6	100.3	3.1	120.0	3.8	140.6	4.5	160.3	5.3
	-5	70.7	2.3	86.0	2.8	100.3	3.3	120.0	4.0	140.6	4.8	160.3	5.6
	10	70.7	2.3	86.0	2.8	100.3	3.4	120.0	4.1	140.6	4.9	160.3	5.7
	15	70.7	2.4	86.0	2.9	100.3	3.4	120.0	4.2	140.6	5.0	160.3	5.9
	20	70.7	2.4	86.0	3.0	100.3	3.5	120.0	4.3	140.6	5.1	160.1	6.0
	25	70.7	2.5	86.0	3.0	100.3	3.6	120.0	4.4	140.6	5.2	158.5	6.1
	30	70.7	2.5	86.0	3.1	100.3	3.7	120.0	4.5	140.6	5.4	156.9	6.1
	35	70.7	2.6	86.0	3.2	100.3	3.8	120.0	4.6	140.6	5.5	155.5	6.2
	40	70.7	2.7	86.0	3.3	100.3	3.9	120.0	4.7	140.6	5.6	154.3	6.3
	45	70.7	2.7	86.0	3.3	100.3	4.0	120.0	4.8	140.6	5.8	153.3	6.4
	50	70.7	2.8	86.0	3.4	100.3	4.1	120.0	4.9	140.6	5.9	152.5	6.6
	55	70.7	2.9	86.0	3.5	100.3	4.2	120.0	5.1	140.6	6.1	152.0	6.7
	60	70.7	2.9	86.0	3.6	100.3	4.3	120.0	5.2	140.6	6.2	151.5	6.9
	65	70.7	3.0	86.0	3.7	100.3	4.4	120.0	5.4	140.6	6.4	151.0	7.1
	70	70.7	3.3	86.0	4.0	100.3	4.8	120.0	5.8	140.6	7.0	150.4	7.6
	75	70.7	3.6	86.0	4.4	100.3	5.2	120.0	6.4	140.6	7.7	149.5	8.3
	80	70.7	4.0	86.0	4.9	100.3	5.8	120.0	7.0	140.6	8.4	148.0	9.1
	85	70.7	4.4	86.0	5.4	100.3	6.3	120.0	7.7	140.6	9.2	145.7	9.8
	90	70.7	4.8	86.0	5.9	100.3	6.9	120.0	8.4	139.7	10.0	142.4	10.5
	95	70.7	5.2	86.0	6.4	100.3	7.6	120.0	9.2	135.2	10.6	137.8	11.1
100	70.7	5.7	86.0	7.0	100.3	8.2	120.0	10.0	128.9	11.0	131.4	11.5	
105	70.7	6.1	86.0	7.5	100.3	8.9	117.2	10.6	120.6	11.1	123.0	11.6	
110	70.7	6.5	86.0	8.0	100.3	9.5	106.8	10.3	109.9	10.8	112.0	11.3	
115	70.7	6.9	86.0	8.5	90.1	9.0	93.6	9.5	96.4	10.1	98.2	10.5	
118	70.7	7.1	78.2	8.0	80.9	8.3	84.0	8.8	86.5	9.3	88.2	9.7	
125	50.8	5.3	53.1	5.6	54.9	5.9	57.0	6.2	58.7	6.6	59.8	6.9	

NOTE - Power Input = Compressor + Outdoor Fan Motor.
MBH = 1000 BTUs per hour.

COOLING CAPACITY - SINGLE MODULE | VPB120L4

Combination (%)	Outdoor Temperature °F (Dry Bulb)	Indoor Temperature - °F (Dry Bulb / Wet Bulb)											
		67 / 57		71 / 60		75 / 63		80 / 67		85 / 71		90 / 75	
		Total Cap.	Power Input	Total Cap.	Power Input	Total Cap.	Power Input	Total Cap.	Power Input	Total Cap.	Power Input	Total Cap.	Power Input
		MBH	KW	MBH	KW	MBH	KW	MBH	KW	MBH	KW	MBH	KW
90%	-10	63.7	1.9	77.4	2.3	90.3	2.7	108.0	3.3	126.5	4.0	144.3	4.7
	-5	63.7	2.0	77.4	2.5	90.3	2.9	108.0	3.6	126.5	4.3	144.3	5.0
	10	63.7	2.1	77.4	2.5	90.3	3.0	108.0	3.6	126.5	4.3	144.3	5.1
	15	63.7	2.1	77.4	2.6	90.3	3.0	108.0	3.7	126.5	4.4	144.3	5.2
	20	63.7	2.1	77.4	2.6	90.3	3.1	108.0	3.8	126.5	4.5	144.3	5.3
	25	63.7	2.2	77.4	2.7	90.3	3.2	108.0	3.9	126.5	4.6	144.3	5.4
	30	63.7	2.2	77.4	2.8	90.3	3.3	108.0	4.0	126.5	4.8	144.3	5.6
	35	63.7	2.3	77.4	2.8	90.3	3.3	108.0	4.1	126.5	4.9	144.3	5.7
	40	63.7	2.4	77.4	2.9	90.3	3.4	108.0	4.2	126.5	5.0	144.3	5.8
	45	63.7	2.4	77.4	3.0	90.3	3.5	108.0	4.3	126.5	5.1	144.3	6.0
	50	63.7	2.5	77.4	3.0	90.3	3.6	108.0	4.4	126.5	5.2	144.3	6.1
	55	63.7	2.5	77.4	3.1	90.3	3.7	108.0	4.5	126.5	5.4	144.3	6.3
	60	63.7	2.6	77.4	3.2	90.3	3.8	108.0	4.6	126.5	5.5	144.3	6.5
	65	63.7	2.7	77.4	3.3	90.3	3.9	108.0	4.7	126.5	5.7	144.3	6.6
	70	63.7	2.9	77.4	3.6	90.3	4.2	108.0	5.2	126.5	6.2	144.3	7.2
	75	63.7	3.2	77.4	3.9	90.3	4.6	108.0	5.7	126.5	6.8	144.3	7.9
	80	63.7	3.5	77.4	4.3	90.3	5.1	108.0	6.2	126.5	7.5	144.3	8.7
	85	63.7	3.9	77.4	4.7	90.3	5.6	108.0	6.8	126.5	8.2	142.8	9.5
	90	63.7	4.2	77.4	5.2	90.3	6.1	108.0	7.5	126.5	9.0	139.6	10.1
	95	63.7	4.6	77.4	5.7	90.3	6.7	108.0	8.2	126.5	9.8	137.8	10.9
100	63.7	5.0	77.4	6.2	90.3	7.3	108.0	8.9	126.3	10.6	131.4	11.3	
105	63.7	5.4	77.4	6.7	90.3	7.9	108.0	9.6	120.6	11.0	123.0	11.4	
110	63.7	5.8	77.4	7.1	90.3	8.4	106.8	10.1	109.9	10.7	112.0	11.1	
115	63.7	6.1	77.4	7.5	90.1	8.9	93.6	9.4	96.4	9.9	98.2	10.3	
118	63.7	6.3	77.4	7.8	80.9	8.2	84.0	8.7	86.5	9.1	88.2	9.5	
125	50.8	5.3	53.1	5.5	54.9	5.8	57.0	6.1	58.7	6.5	59.8	6.8	
80%	-10	56.6	1.7	68.8	2.0	80.2	2.4	96.0	2.9	112.5	3.5	128.2	4.1
	-5	56.6	1.8	68.8	2.2	80.2	2.6	96.0	3.1	112.5	3.7	128.2	4.4
	10	56.6	1.8	68.8	2.2	80.2	2.6	96.0	3.2	112.5	3.8	128.2	4.4
	15	56.6	1.8	68.8	2.3	80.2	2.7	96.0	3.3	112.5	3.9	128.2	4.5
	20	56.6	1.9	68.8	2.3	80.2	2.7	96.0	3.3	112.5	4.0	128.2	4.6
	25	56.6	1.9	68.8	2.4	80.2	2.8	96.0	3.4	112.5	4.1	128.2	4.8
	30	56.6	2.0	68.8	2.4	80.2	2.9	96.0	3.5	112.5	4.2	128.2	4.9
	35	56.6	2.0	68.8	2.5	80.2	2.9	96.0	3.6	112.5	4.3	128.2	5.0
	40	56.6	2.1	68.8	2.5	80.2	3.0	96.0	3.6	112.5	4.4	128.2	5.1
	45	56.6	2.1	68.8	2.6	80.2	3.1	96.0	3.7	112.5	4.5	128.2	5.2
	50	56.6	2.2	68.8	2.7	80.2	3.1	96.0	3.8	112.5	4.6	128.2	5.4
	55	56.6	2.2	68.8	2.7	80.2	3.2	96.0	3.9	112.5	4.7	128.2	5.5
	60	56.6	2.3	68.8	2.8	80.2	3.3	96.0	4.0	112.5	4.8	128.2	5.7
	65	56.6	2.4	68.8	2.9	80.2	3.4	96.0	4.2	112.5	5.0	128.2	5.8
	70	56.6	2.6	68.8	3.1	80.2	3.7	96.0	4.5	112.5	5.4	128.2	6.3
	75	56.6	2.8	68.8	3.4	80.2	4.1	96.0	5.0	112.5	5.9	128.2	6.9
	80	56.6	3.1	68.8	3.8	80.2	4.5	96.0	5.5	112.5	6.5	128.2	7.6
	85	56.6	3.4	68.8	4.2	80.2	4.9	96.0	6.0	112.5	7.2	128.2	8.4
	90	56.6	3.7	68.8	4.6	80.2	5.4	96.0	6.6	112.5	7.8	128.2	9.2
	95	56.6	4.0	68.8	5.0	80.2	5.9	96.0	7.2	112.5	8.6	128.2	10.0
100	56.6	4.4	68.8	5.4	80.2	6.4	96.0	7.8	112.5	9.3	128.2	10.9	
105	56.6	4.7	68.8	5.8	80.2	6.9	96.0	8.4	112.5	10.1	123.0	11.3	
110	56.6	5.1	68.8	6.2	80.2	7.4	96.0	9.0	109.9	10.5	112.0	11.0	
115	56.6	5.4	68.8	6.6	80.2	7.8	93.6	9.3	96.4	9.8	98.2	10.2	
118	56.6	5.5	68.8	6.8	80.2	8.0	84.0	8.6	86.5	9.0	88.2	9.4	
125	50.8	5.2	53.1	5.5	54.9	5.7	57.0	6.1	58.7	6.4	59.8	6.7	

NOTE - Power Input = Compressor + Outdoor Fan Motor.
 MBH = 1000 BTUs per hour.

COOLING CAPACITY - SINGLE MODULE | VPB120L4

Combination (%)	Outdoor Temperature °F (Dry Bulb)	Indoor Temperature - °F (Dry Bulb / Wet Bulb)											
		67 / 57		71 / 60		75 / 63		80 / 67		85 / 71		90 / 75	
		Total Cap.	Power Input	Total Cap.	Power Input	Total Cap.	Power Input	Total Cap.	Power Input	Total Cap.	Power Input	Total Cap.	Power Input
		MBH	kW	MBH	kW	MBH	kW	MBH	kW	MBH	kW	MBH	kW
70%	-10	49.5	1.4	60.2	1.8	70.2	2.1	84.0	2.5	98.4	3.0	112.2	3.5
	-5	49.5	1.5	60.2	1.9	70.2	2.2	84.0	2.7	98.4	3.2	112.2	3.8
	10	49.5	1.6	60.2	1.9	70.2	2.3	84.0	2.7	98.4	3.3	112.2	3.8
	15	49.5	1.6	60.2	1.9	70.2	2.3	84.0	2.8	98.4	3.4	112.2	3.9
	20	49.5	1.6	60.2	2.0	70.2	2.4	84.0	2.9	98.4	3.4	112.2	4.0
	25	49.5	1.7	60.2	2.0	70.2	2.4	84.0	2.9	98.4	3.5	112.2	4.1
	30	49.5	1.7	60.2	2.1	70.2	2.5	84.0	3.0	98.4	3.6	112.2	4.2
	35	49.5	1.7	60.2	2.1	70.2	2.5	84.0	3.1	98.4	3.7	112.2	4.3
	40	49.5	1.8	60.2	2.2	70.2	2.6	84.0	3.1	98.4	3.8	112.2	4.4
	45	49.5	1.8	60.2	2.2	70.2	2.6	84.0	3.2	98.4	3.9	112.2	4.5
	50	49.5	1.9	60.2	2.3	70.2	2.7	84.0	3.3	98.4	4.0	112.2	4.6
	55	49.5	1.9	60.2	2.4	70.2	2.8	84.0	3.4	98.4	4.1	112.2	4.7
	60	49.5	2.0	60.2	2.4	70.2	2.9	84.0	3.5	98.4	4.2	112.2	4.9
	65	49.5	2.0	60.2	2.5	70.2	2.9	84.0	3.6	98.4	4.3	112.2	5.0
	70	49.5	2.2	60.2	2.7	70.2	3.2	84.0	3.9	98.4	4.7	112.2	5.5
	75	49.5	2.4	60.2	3.0	70.2	3.5	84.0	4.3	98.4	5.1	112.2	6.0
	80	49.5	2.7	60.2	3.3	70.2	3.9	84.0	4.7	98.4	5.6	112.2	6.6
	85	49.5	2.9	60.2	3.6	70.2	4.2	84.0	5.2	98.4	6.2	112.2	7.2
	90	49.5	3.2	60.2	3.9	70.2	4.6	84.0	5.7	98.4	6.8	112.2	7.9
	95	49.5	3.5	60.2	4.3	70.2	5.1	84.0	6.2	98.4	7.4	112.2	8.6
100	49.5	3.8	60.2	4.7	70.2	5.5	84.0	6.7	98.4	8.0	112.2	9.4	
105	49.5	4.1	60.2	5.0	70.2	5.9	84.0	7.2	98.4	8.7	112.2	10.1	
110	49.5	4.4	60.2	5.4	70.2	6.4	84.0	7.8	98.4	9.3	112.0	10.8	
115	49.5	4.6	60.2	5.7	70.2	6.7	84.0	8.2	96.4	9.6	98.2	10.0	
118	49.5	4.8	60.2	5.9	70.2	6.9	84.0	8.4	86.5	8.9	88.2	9.3	
125	47.8	4.8	53.1	5.4	54.9	5.6	57.0	6.0	58.7	6.3	59.8	6.6	
60%	-10	42.4	1.2	51.6	1.5	60.2	1.8	72.0	2.1	84.4	2.6	96.2	3.0
	-5	42.4	1.3	51.6	1.6	60.2	1.9	72.0	2.3	84.4	2.7	96.2	3.2
	10	42.4	1.3	51.6	1.6	60.2	1.9	72.0	2.3	84.4	2.8	96.2	3.2
	15	42.4	1.3	51.6	1.6	60.2	1.9	72.0	2.4	84.4	2.8	96.2	3.3
	20	42.4	1.4	51.6	1.7	60.2	2.0	72.0	2.4	84.4	2.9	96.2	3.4
	25	42.4	1.4	51.6	1.7	60.2	2.0	72.0	2.5	84.4	3.0	96.2	3.5
	30	42.4	1.4	51.6	1.8	60.2	2.1	72.0	2.5	84.4	3.0	96.2	3.5
	35	42.4	1.5	51.6	1.8	60.2	2.1	72.0	2.6	84.4	3.1	96.2	3.6
	40	42.4	1.5	51.6	1.8	60.2	2.2	72.0	2.7	84.4	3.2	96.2	3.7
	45	42.4	1.5	51.6	1.9	60.2	2.2	72.0	2.7	84.4	3.3	96.2	3.8
	50	42.4	1.6	51.6	1.9	60.2	2.3	72.0	2.8	84.4	3.3	96.2	3.9
	55	42.4	1.6	51.6	2.0	60.2	2.4	72.0	2.9	84.4	3.4	96.2	4.0
	60	42.4	1.7	51.6	2.0	60.2	2.4	72.0	2.9	84.4	3.5	96.2	4.1
	65	42.4	1.7	51.6	2.1	60.2	2.5	72.0	3.0	84.4	3.6	96.2	4.2
	70	42.4	1.9	51.6	2.3	60.2	2.7	72.0	3.3	84.4	3.9	96.2	4.6
	75	42.4	2.0	51.6	2.5	60.2	3.0	72.0	3.6	84.4	4.3	96.2	5.1
	80	42.4	2.2	51.6	2.8	60.2	3.3	72.0	4.0	84.4	4.8	96.2	5.6
	85	42.4	2.5	51.6	3.0	60.2	3.6	72.0	4.4	84.4	5.2	96.2	6.1
	90	42.4	2.7	51.6	3.3	60.2	3.9	72.0	4.8	84.4	5.7	96.2	6.7
	95	42.4	2.9	51.6	3.6	60.2	4.3	72.0	5.2	84.4	6.2	96.2	7.3
100	42.4	3.2	51.6	3.9	60.2	4.7	72.0	5.7	84.4	6.8	96.2	7.9	
105	42.4	3.5	51.6	4.3	60.2	5.0	72.0	6.1	84.4	7.3	96.2	8.6	
110	42.4	3.7	51.6	4.6	60.2	5.4	72.0	6.6	84.4	7.8	96.2	9.2	
115	42.4	3.9	51.6	4.8	60.2	5.7	72.0	6.9	84.4	8.3	96.2	9.7	
118	42.4	4.0	51.6	5.0	60.2	5.8	72.0	7.1	84.4	8.5	88.2	9.1	
125	42.4	4.2	51.6	5.2	54.9	5.6	57.0	5.9	58.7	6.2	59.8	6.5	

NOTE - Power Input = Compressor + Outdoor Fan Motor.
 MBH = 1000 BTUs per hour.

COOLING CAPACITY - SINGLE MODULE | VPB120L4

Combination (%)	Outdoor Temperature °F (Dry Bulb)	Indoor Temperature - °F (Dry Bulb / Wet Bulb)											
		67 / 57		71 / 60		75 / 63		80 / 67		85 / 71		90 / 75	
		Total Cap.	Power Input	Total Cap.	Power Input	Total Cap.	Power Input	Total Cap.	Power Input	Total Cap.	Power Input	Total Cap.	Power Input
		MBH	kW	MBH	kW	MBH	kW	MBH	kW	MBH	kW	MBH	kW
50%	-10	32.6	0.9	43.0	1.2	50.1	1.4	60.0	1.8	70.3	2.1	80.1	2.5
	-5	35.4	1.1	43.0	1.3	50.1	1.5	60.0	1.9	70.3	2.2	80.1	2.6
	10	35.4	1.1	43.0	1.3	50.1	1.6	60.0	1.9	70.3	2.3	80.1	2.7
	15	35.4	1.1	43.0	1.4	50.1	1.6	60.0	1.9	70.3	2.3	80.1	2.7
	20	35.4	1.1	43.0	1.4	50.1	1.6	60.0	2.0	70.3	2.4	80.1	2.8
	25	35.4	1.2	43.0	1.4	50.1	1.7	60.0	2.0	70.3	2.4	80.1	2.8
	30	35.4	1.2	43.0	1.4	50.1	1.7	60.0	2.1	70.3	2.5	80.1	2.9
	35	35.4	1.2	43.0	1.5	50.1	1.7	60.0	2.1	70.3	2.6	80.1	3.0
	40	35.4	1.2	43.0	1.5	50.1	1.8	60.0	2.2	70.3	2.6	80.1	3.1
	45	35.4	1.3	43.0	1.6	50.1	1.8	60.0	2.2	70.3	2.7	80.1	3.1
	50	35.4	1.3	43.0	1.6	50.1	1.9	60.0	2.3	70.3	2.8	80.1	3.2
	55	35.4	1.3	43.0	1.6	50.1	1.9	60.0	2.4	70.3	2.8	80.1	3.3
	60	35.4	1.4	43.0	1.7	50.1	2.0	60.0	2.4	70.3	2.9	80.1	3.4
	65	35.4	1.4	43.0	1.7	50.1	2.0	60.0	2.5	70.3	3.0	80.1	3.5
	70	35.4	1.5	43.0	1.9	50.1	2.2	60.0	2.7	70.3	3.2	80.1	3.8
	75	35.4	1.7	43.0	2.1	50.1	2.4	60.0	3.0	70.3	3.6	80.1	4.2
	80	35.4	1.8	43.0	2.3	50.1	2.7	60.0	3.3	70.3	3.9	80.1	4.6
	85	35.4	2.0	43.0	2.5	50.1	2.9	60.0	3.6	70.3	4.3	80.1	5.0
	90	35.4	2.2	43.0	2.7	50.1	3.2	60.0	3.9	70.3	4.7	80.1	5.5
	95	35.4	2.4	43.0	3.0	50.1	3.5	60.0	4.3	70.3	5.1	80.1	6.0
100	35.4	2.6	43.0	3.2	50.1	3.8	60.0	4.7	70.3	5.6	80.1	6.5	
105	35.4	2.8	43.0	3.5	50.1	4.1	60.0	5.0	70.3	6.0	80.1	7.0	
110	35.4	3.0	43.0	3.7	50.1	4.4	60.0	5.4	70.3	6.4	80.1	7.5	
115	35.4	3.2	43.0	4.0	50.1	4.7	60.0	5.7	70.3	6.8	80.1	8.0	
118	35.4	3.3	43.0	4.1	50.1	4.8	60.0	5.9	70.3	7.0	80.1	8.2	
125	35.4	3.5	43.0	4.2	50.1	5.0	57.0	5.8	58.7	6.1	59.8	6.4	

NOTE - Power Input = Compressor + Outdoor Fan Motor.
 MBH = 1000 BTUs per hour.

HEATING CAPACITY - SINGLE MODULE | VPB120L4

Combination (%)	Outdoor Temperature (°F)		Indoor Temperature - °F Dry Bulb											
			61		64		67		70		73		75	
	Dry Bulb	Wet Bulb	Total Cap. MBH	Power Input kW	Total Cap. MBH	Power Input kW	Total Cap. MBH	Power Input kW	Total Cap. MBH	Power Input kW	Total Cap. MBH	Power Input kW	Total Cap. MBH	Power Input kW
130%	-22	-23	88.0	13.00	86.2	13.38	84.6	13.74	83.1	14.15	81.7	14.57	80.9	14.86
	-17	-18	105.1	14.30	103.2	14.67	101.6	15.04	100.0	15.45	98.6	15.87	97.8	16.16
	-13	-14	117.8	15.50	117.4	15.99	117.1	16.46	116.7	16.98	116.4	17.52	116.2	17.87
	-8	-9	125.2	16.05	125.4	16.59	125.5	17.11	125.6	17.67	125.7	18.25	125.7	18.64
	-3	-4	130.8	16.40	130.9	16.94	131.0	17.47	131.1	18.04	131.2	18.63	131.2	19.02
	2	1	136.7	16.62	136.7	17.16	136.7	17.68	136.7	18.25	136.6	18.83	136.5	19.22
	7	6	142.8	16.69	142.6	17.21	142.4	17.72	142.1	18.28	141.9	18.86	141.7	19.24
	12	10	148.3	16.80	147.9	17.32	147.6	17.82	147.2	18.38	146.8	18.95	146.6	19.33
	17	15	156.1	17.00	155.6	17.52	155.1	18.02	154.5	18.57	153.9	19.13	153.6	19.51
	22	20	164.4	17.27	163.7	17.78	163.0	18.28	162.3	18.82	164.4	19.68	157.2	18.48
	27	24	171.9	17.54	171.1	18.05	170.3	18.55	169.4	19.09	164.4	18.26	157.2	17.09
	32	29	181.3	17.90	180.3	18.42	179.4	18.92	175.5	18.34	164.4	16.54	157.2	15.40
	37	34	191.5	18.34	190.3	18.86	186.6	18.24	175.5	16.49	164.4	14.79	157.2	13.98
	42	38	199.8	18.73	197.0	18.36	186.6	16.73	175.5	15.04	164.4	13.77	157.2	13.01
	47	43	208.1	18.08	197.0	16.41	186.6	14.86	175.5	13.67	164.4	12.55	157.2	11.85
	52	47	208.1	16.53	197.0	14.92	186.6	13.81	175.5	12.71	164.4	11.66	157.2	11.00
	57	52	208.1	14.65	197.0	13.57	186.6	12.59	175.5	11.58	164.4	10.61	157.2	10.00
	62	56	208.1	13.63	197.0	12.62	186.6	11.69	175.5	10.74	164.4	9.82	157.2	9.28
	67	61	208.1	12.42	197.0	11.47	186.6	10.60	175.5	9.72	164.4	8.94	157.2	8.48
	72	66	208.1	11.26	197.0	10.38	186.6	9.58	175.5	8.83	164.4	8.15	157.2	7.72
75	69	208.1	10.60	197.0	9.74	186.6	8.99	175.5	8.33	164.4	7.70	157.2	7.30	
80	74	208.1	9.53	197.0	8.82	186.6	8.21	175.5	7.60	164.4	7.03	157.2	6.67	
120%	-22	-23	86.9	13.17	85.2	13.55	83.7	13.93	82.2	14.34	80.9	14.76	80.1	15.05
	-17	-18	103.5	14.50	101.8	14.88	100.3	15.25	98.8	15.66	97.4	16.10	96.6	16.39
	-13	-14	117.1	15.80	116.7	16.30	116.4	16.78	116.0	17.30	115.8	17.85	115.6	18.21
	-8	-9	124.8	16.40	125.0	16.95	125.1	17.47	125.2	18.05	125.2	18.64	125.3	19.03
	-3	-4	130.4	16.77	130.5	17.32	130.6	17.86	130.7	18.44	130.7	19.04	130.7	19.44
	2	1	136.2	17.00	136.2	17.55	136.2	18.08	136.1	18.66	136.0	19.26	135.7	19.60
	7	6	142.1	17.08	141.9	17.62	141.7	18.14	141.5	18.71	141.2	19.30	140.6	19.59
	12	10	147.5	17.20	147.2	17.73	146.8	18.25	146.4	18.81	146.0	19.40	145.1	19.35
	17	15	155.2	17.42	154.6	17.95	154.1	18.46	153.6	19.02	151.8	18.98	145.1	17.88
	22	20	163.3	17.71	162.6	18.23	161.9	18.74	162.0	19.12	151.8	17.43	145.1	16.34
	27	24	170.7	18.00	169.8	18.52	172.2	19.36	162.0	17.70	151.8	16.05	145.1	14.99
	32	29	179.8	18.39	181.9	19.17	172.2	17.62	162.0	16.01	151.8	14.51	145.1	13.74
	37	34	192.1	18.87	181.9	17.28	172.2	15.79	162.0	14.37	151.8	13.24	145.1	12.52
	42	38	192.1	17.34	181.9	15.80	172.2	14.45	162.0	13.36	151.8	12.30	145.1	11.63
	47	43	192.1	15.45	181.9	14.15	172.2	13.17	162.0	12.17	151.8	11.20	145.1	10.59
	52	47	192.1	14.16	181.9	13.15	172.2	12.24	162.0	11.30	151.8	10.39	145.1	9.83
	57	52	192.1	12.91	181.9	11.97	172.2	11.14	162.0	10.27	151.8	9.44	145.1	8.99
	62	56	192.1	11.97	181.9	11.11	172.2	10.32	162.0	9.50	151.8	8.80	145.1	8.38
	67	61	192.1	10.87	181.9	10.06	172.2	9.32	162.0	8.66	151.8	8.04	145.1	7.63
	72	66	192.1	9.81	181.9	9.08	172.2	8.48	162.0	7.89	151.8	7.31	145.1	6.95
75	69	192.1	9.19	181.9	8.56	172.2	8.00	162.0	7.45	151.8	6.91	145.1	6.57	
80	74	192.1	8.36	181.9	7.80	172.2	7.30	162.0	6.80	151.8	6.32	145.1	6.03	

NOTE - Power Input = Compressor + Outdoor Fan Motor.
 MBH = 1000 BTUs per hour.

HEATING CAPACITY - SINGLE MODULE | VPB120L4

Combination (%)	Outdoor Temperature (°F)		Indoor Temperature - °F Dry Bulb											
			61		64		67		70		73		75	
	Dry Bulb	Wet Bulb	Total Cap. MBH	Power Input kW	Total Cap. MBH	Power Input kW	Total Cap. MBH	Power Input kW	Total Cap. MBH	Power Input kW	Total Cap. MBH	Power Input kW	Total Cap. MBH	Power Input kW
110%	-22	-23	85.6	13.37	84.0	13.76	82.6	14.14	81.3	14.56	80.0	14.99	79.3	15.28
	-17	-18	102.0	14.74	100.3	15.12	98.9	15.50	97.5	15.92	96.2	16.36	95.5	16.66
	-13	-14	116.3	16.16	116.0	16.66	115.7	17.15	115.4	17.69	115.1	18.25	115.0	18.62
	-8	-9	124.5	16.82	124.6	17.38	124.7	17.92	124.8	18.51	124.8	19.11	124.9	19.52
	-3	-4	130.0	17.22	130.1	17.78	130.2	18.33	130.2	18.93	130.3	19.55	128.6	19.59
	2	1	135.8	17.47	135.7	18.03	135.7	18.57	135.6	19.17	134.7	19.60	133.0	19.44
	7	6	141.5	17.55	141.3	18.10	141.0	18.64	140.8	19.22	139.1	19.24	133.0	18.27
	12	10	146.7	17.69	146.4	18.23	146.0	18.76	148.5	19.72	139.1	18.20	133.0	17.22
	17	15	154.2	17.93	153.7	18.47	153.1	19.00	148.5	18.25	139.1	16.74	133.0	15.74
	22	20	162.1	18.24	161.4	18.78	157.9	18.22	148.5	16.71	139.1	15.21	133.0	14.39
	27	24	169.3	18.55	166.7	18.22	157.9	16.83	148.5	15.34	139.1	14.09	133.0	13.38
	32	29	176.1	17.98	166.7	16.52	157.9	15.16	148.5	13.96	139.1	12.90	133.0	12.24
	37	34	176.1	16.14	166.7	14.73	157.9	13.72	148.5	12.72	139.1	11.75	133.0	11.13
	42	38	176.1	14.70	166.7	13.66	157.9	12.75	148.5	11.81	139.1	10.91	133.0	10.33
	47	43	176.1	13.34	166.7	12.43	157.9	11.60	148.5	10.75	139.1	9.92	133.0	9.41
	52	47	176.1	12.39	166.7	11.54	157.9	10.76	148.5	9.97	139.1	9.22	133.0	8.80
	57	52	176.1	11.27	166.7	10.48	157.9	9.77	148.5	9.07	139.1	8.46	133.0	8.06
	62	56	176.1	10.43	166.7	9.69	157.9	9.06	148.5	8.46	139.1	7.87	133.0	7.50
	67	61	176.1	9.43	166.7	8.79	157.9	8.26	148.5	7.70	139.1	7.18	133.0	6.83
	72	66	176.1	8.54	166.7	7.99	157.9	7.51	148.5	7.01	139.1	6.53	133.0	6.22
75	69	176.1	8.04	166.7	7.54	157.9	7.08	148.5	6.61	139.1	6.17	133.0	5.89	
80	74	176.1	7.32	166.7	6.87	157.9	6.47	148.5	6.06	139.1	5.66	133.0	5.41	
100%	-22	-23	84.1	13.61	82.7	14.00	81.4	14.39	80.1	14.81	79.0	15.25	78.3	15.55
	-17	-18	100.3	15.02	98.8	15.42	97.5	15.81	96.2	16.24	95.0	16.69	94.3	16.99
	-13	-14	115.6	16.59	115.3	17.11	115.0	17.62	114.7	18.17	114.5	18.74	114.4	19.13
	-8	-9	124.2	17.34	124.3	17.91	124.3	18.47	124.4	19.07	126.5	19.99	120.9	19.21
	-3	-4	129.7	17.77	129.8	18.35	129.8	18.91	129.9	19.53	126.5	19.22	120.9	18.40
	2	1	135.3	18.04	135.3	18.62	135.2	19.18	135.0	19.54	126.5	18.23	120.9	17.36
	7	6	140.8	18.14	140.6	18.70	140.4	19.26	135.0	18.38	126.5	17.03	120.9	16.15
	12	10	145.9	18.28	145.5	18.85	143.5	18.69	135.0	17.33	126.5	15.96	120.9	15.09
	17	15	153.2	18.55	151.6	18.49	143.5	17.21	135.0	15.85	126.5	14.59	120.9	13.92
	22	20	160.1	18.30	151.6	16.95	143.5	15.69	135.0	14.43	126.5	13.42	120.9	12.78
	27	24	160.1	16.89	151.6	15.58	143.5	14.40	135.0	13.42	126.5	12.45	120.9	11.84
	32	29	160.1	15.22	151.6	14.07	143.5	13.19	135.0	12.27	126.5	11.37	120.9	10.80
	37	34	160.1	13.70	151.6	12.82	143.5	12.01	135.0	11.17	126.5	10.34	120.9	9.81
	42	38	160.1	12.73	151.6	11.91	143.5	11.15	135.0	10.36	126.5	9.59	120.9	9.18
	47	43	160.1	11.58	151.6	10.82	143.5	10.12	135.0	9.41	126.5	8.81	120.9	8.43
	52	47	160.1	10.74	151.6	10.03	143.5	9.37	135.0	8.79	126.5	8.23	120.9	7.88
	57	52	160.1	9.74	151.6	9.09	143.5	8.58	135.0	8.04	126.5	7.53	120.9	7.19
	62	56	160.1	9.00	151.6	8.47	143.5	7.98	135.0	7.49	126.5	6.99	120.9	6.68
	67	61	160.1	8.20	151.6	7.71	143.5	7.27	135.0	6.81	126.5	6.36	120.9	6.08
	72	66	160.1	7.45	151.6	7.01	143.5	6.61	135.0	6.20	126.5	5.80	120.9	5.55
75	69	160.1	7.02	151.6	6.61	143.5	6.24	135.0	5.85	126.5	5.49	120.9	5.25	
80	74	160.1	6.40	151.6	6.04	143.5	5.71	135.0	5.38	126.5	5.06	120.9	4.85	

NOTE - Power Input = Compressor + Outdoor Fan Motor.
 MBH = 1000 BTUs per hour.

HEATING CAPACITY - SINGLE MODULE | VPB120L4

Combination (%)	Outdoor Temperature (°F)		Indoor Temperature - °F Dry Bulb											
			61		64		67		70		73		75	
	Dry Bulb	Wet Bulb	Total Cap. MBH	Power Input kW	Total Cap. MBH	Power Input kW	Total Cap. MBH	Power Input kW	Total Cap. MBH	Power Input kW	Total Cap. MBH	Power Input kW	Total Cap. MBH	Power Input kW
90%	-22	-23	82.6	13.91	81.3	14.30	80.1	14.69	78.9	15.13	77.9	15.57	77.2	15.87
	-17	-18	98.6	15.38	97.2	15.78	96.0	16.18	94.8	16.63	93.7	17.09	93.1	17.40
	-13	-14	114.9	17.14	114.6	17.68	114.4	18.20	114.1	18.77	113.8	19.23	108.9	18.55
	-8	-9	123.9	17.99	124.0	18.58	124.0	19.16	121.5	19.06	113.8	17.98	108.9	17.28
	-3	-4	129.4	18.46	129.5	19.06	129.2	19.37	121.5	18.25	113.8	17.11	108.9	16.37
	2	1	134.9	18.75	136.4	19.49	129.2	18.40	121.5	17.23	113.8	16.04	108.9	15.29
	7	6	140.2	18.87	136.4	18.32	129.2	17.21	121.5	16.01	113.8	14.87	108.9	14.28
	12	10	144.1	18.47	136.4	17.28	129.2	16.15	121.5	14.95	113.8	14.01	108.9	13.41
	17	15	144.1	17.00	136.4	15.81	129.2	14.70	121.5	13.77	113.8	12.87	108.9	12.29
	22	20	144.1	15.48	136.4	14.34	129.2	13.51	121.5	12.64	113.8	11.78	108.9	11.23
	27	24	144.1	14.18	136.4	13.33	129.2	12.54	121.5	11.70	113.8	10.88	108.9	10.36
	32	29	144.1	12.98	136.4	12.18	129.2	11.45	121.5	10.67	113.8	9.92	108.9	9.47
	37	34	144.1	11.81	136.4	11.08	129.2	10.40	121.5	9.69	113.8	9.09	108.9	8.72
	42	38	144.1	10.95	136.4	10.26	129.2	9.63	121.5	9.05	113.8	8.52	108.9	8.17
	47	43	144.1	9.95	136.4	9.31	129.2	8.82	121.5	8.31	113.8	7.81	108.9	7.49
	52	47	144.1	9.20	136.4	8.70	129.2	8.24	121.5	7.75	113.8	7.28	108.9	6.98
	57	52	144.1	8.41	136.4	7.95	129.2	7.52	121.5	7.08	113.8	6.63	108.9	6.36
	62	56	144.1	7.81	136.4	7.39	129.2	6.98	121.5	6.57	113.8	6.17	108.9	5.90
	67	61	144.1	7.11	136.4	6.71	129.2	6.35	121.5	5.97	113.8	5.61	108.9	5.37
	72	66	144.1	6.45	136.4	6.10	129.2	5.77	121.5	5.44	113.8	5.12	108.9	4.91
75	69	144.1	6.09	136.4	5.76	129.2	5.46	121.5	5.15	113.8	4.85	108.9	4.67	
80	74	144.1	5.56	136.4	5.28	129.2	5.02	121.5	4.76	113.8	4.46	108.9	4.32	
80%	-22	-23	81.0	14.27	79.8	14.68	78.7	15.08	77.6	15.52	76.7	15.98	76.1	16.29
	-17	-18	96.7	15.83	95.4	16.25	94.4	16.66	93.3	17.12	92.3	17.60	91.8	17.92
	-13	-14	114.2	17.85	113.9	18.40	114.8	19.06	108.0	18.15	101.2	17.23	96.8	16.62
	-8	-9	123.7	18.84	121.2	18.71	114.8	17.83	108.0	16.88	101.2	15.93	96.8	15.44
	-3	-4	128.1	18.88	121.2	17.90	114.8	16.97	108.0	15.98	101.2	15.09	96.8	14.62
	2	1	128.1	17.89	121.2	16.87	114.8	15.91	108.0	14.93	101.2	14.17	96.8	13.67
	7	6	128.1	16.70	121.2	15.66	114.8	14.71	108.0	13.93	101.2	13.14	96.8	12.62
	12	10	128.1	15.64	121.2	14.61	114.8	13.86	108.0	13.08	101.2	12.28	96.8	11.77
	17	15	128.1	14.23	121.2	13.46	114.8	12.73	108.0	11.96	101.2	11.20	96.8	10.70
	22	20	128.1	13.09	121.2	12.34	114.8	11.65	108.0	10.92	101.2	10.19	96.8	9.72
	27	24	128.1	12.13	121.2	11.43	114.8	10.77	108.0	10.08	101.2	9.43	96.8	9.08
	32	29	128.1	11.06	121.2	10.41	114.8	9.80	108.0	9.21	101.2	8.71	96.8	8.39
	37	34	128.1	10.04	121.2	9.44	114.8	8.96	108.0	8.49	101.2	8.02	96.8	7.72
	42	38	128.1	9.30	121.2	8.81	114.8	8.39	108.0	7.94	101.2	7.50	96.8	7.21
	47	43	128.1	8.51	121.2	8.09	114.8	7.69	108.0	7.27	101.2	6.86	96.8	6.59
	52	47	128.1	7.94	121.2	7.54	114.8	7.16	108.0	6.77	101.2	6.38	96.8	6.12
	57	52	128.1	7.25	121.2	6.87	114.8	6.52	108.0	6.16	101.2	5.80	96.8	5.57
	62	56	128.1	6.72	121.2	6.37	114.8	6.05	108.0	5.72	101.2	5.38	96.8	5.16
	67	61	128.1	6.10	121.2	5.79	114.8	5.49	108.0	5.20	101.2	4.90	96.8	4.71
	72	66	128.1	5.54	121.2	5.26	114.8	5.01	108.0	4.75	101.2	4.49	96.8	4.44
75	69	128.1	5.23	121.2	4.98	114.8	4.75	108.0	4.50	101.2	4.39	96.8	4.23	
80	74	128.1	4.81	121.2	4.58	114.8	4.38	108.0	4.23	101.2	4.02	96.8	3.85	

NOTE - Power Input = Compressor + Outdoor Fan Motor.
 MBH = 1000 BTUs per hour.

HEATING CAPACITY - SINGLE MODULE | VPB120L4

Combination (%)	Outdoor Temperature (°F)		Indoor Temperature - °F Dry Bulb											
			61		64		67		70		73		75	
	Dry Bulb	Wet Bulb	Total Cap. MBH	Power Input kW	Total Cap. MBH	Power Input kW	Total Cap. MBH	Power Input kW	Total Cap. MBH	Power Input kW	Total Cap. MBH	Power Input kW	Total Cap. MBH	Power Input kW
70%	-22	-23	79.3	14.75	78.2	15.17	77.2	15.59	76.3	16.04	75.4	16.52	74.9	16.83
	-17	-18	94.7	16.42	93.6	16.86	92.6	17.29	91.7	17.77	88.5	17.79	84.7	17.43
	-13	-14	112.1	18.30	106.1	17.51	100.5	16.77	94.5	16.10	88.5	15.57	84.7	15.21
	-8	-9	112.1	17.06	106.1	16.25	100.5	15.48	94.5	14.91	88.5	14.34	84.7	13.96
	-3	-4	112.1	16.18	106.1	15.34	100.5	14.70	94.5	14.09	88.5	13.46	84.7	13.05
	2	1	112.1	15.12	106.1	14.39	100.5	13.79	94.5	13.14	88.5	12.48	84.7	12.05
	7	6	112.1	14.04	106.1	13.39	100.5	12.77	94.5	12.10	88.5	11.43	84.7	10.99
	12	10	112.1	13.20	106.1	12.55	100.5	11.93	94.5	11.27	88.5	10.60	84.7	10.17
	17	15	112.1	12.10	106.1	11.46	100.5	10.86	94.5	10.22	88.5	9.60	84.7	9.25
	22	20	112.1	11.05	106.1	10.44	100.5	9.87	94.5	9.32	88.5	8.83	84.7	8.52
	27	24	112.1	10.20	106.1	9.62	100.5	9.14	94.5	8.70	88.5	8.25	84.7	7.97
	32	29	112.1	9.26	106.1	8.83	100.5	8.44	94.5	8.03	88.5	7.62	84.7	7.36
	37	34	112.1	8.51	106.1	8.13	100.5	7.76	94.5	7.38	88.5	7.00	84.7	6.75
	42	38	112.1	7.96	106.1	7.59	100.5	7.25	94.5	6.89	88.5	6.53	84.7	6.29
	47	43	112.1	7.29	106.1	6.95	100.5	6.63	94.5	6.29	88.5	5.95	84.7	5.73
	52	47	112.1	6.78	106.1	6.46	100.5	6.16	94.5	5.83	88.5	5.52	84.7	5.32
	57	52	112.1	6.16	106.1	5.86	100.5	5.59	94.5	5.30	88.5	5.01	84.7	4.82
	62	56	112.1	5.71	106.1	5.44	100.5	5.18	94.5	4.91	88.5	4.64	84.7	4.55
	67	61	112.1	5.18	106.1	4.93	100.5	4.71	94.5	4.48	88.5	4.35	84.7	4.19
	72	66	112.1	4.71	106.1	4.50	100.5	4.35	94.5	4.23	88.5	4.01	84.7	3.87
75	69	112.1	4.46	106.1	4.28	100.5	4.23	94.5	4.03	88.5	3.83	84.7	3.71	
80	74	112.1	4.12	106.1	4.05	100.5	3.86	94.5	3.66	88.5	3.47	84.7	3.33	
60%	-22	-23	77.4	15.40	76.4	15.84	75.6	16.27	74.8	16.75	74.1	17.24	72.6	17.37
	-17	-18	92.5	17.24	90.9	17.54	86.1	17.14	81.0	16.70	75.9	16.24	72.6	15.93
	-13	-14	96.1	15.78	90.9	15.37	86.1	14.97	81.0	14.53	75.9	14.07	72.6	13.77
	-8	-9	96.1	14.63	90.9	14.18	86.1	13.75	81.0	13.27	75.9	12.78	72.6	12.46
	-3	-4	96.1	13.84	90.9	13.35	86.1	12.87	81.0	12.35	75.9	11.82	72.6	11.47
	2	1	96.1	12.92	90.9	12.40	86.1	11.89	81.0	11.35	75.9	10.79	72.6	10.43
	7	6	96.1	11.91	90.9	11.37	86.1	10.86	81.0	10.31	75.9	9.75	72.6	9.39
	12	10	96.1	11.09	90.9	10.55	86.1	10.04	81.0	9.51	75.9	9.02	72.6	8.71
	17	15	96.1	10.05	90.9	9.54	86.1	9.11	81.0	8.69	75.9	8.26	72.6	7.99
	22	20	96.1	9.13	90.9	8.75	86.1	8.39	81.0	8.01	75.9	7.63	72.6	7.38
	27	24	96.1	8.52	90.9	8.17	86.1	7.84	81.0	7.49	75.9	7.13	72.6	6.91
	32	29	96.1	7.86	90.9	7.53	86.1	7.23	81.0	6.90	75.9	6.58	72.6	6.36
	37	34	96.1	7.22	90.9	6.91	86.1	6.63	81.0	6.32	75.9	6.02	72.6	5.82
	42	38	96.1	6.73	90.9	6.45	86.1	6.17	81.0	5.89	75.9	5.60	72.6	5.41
	47	43	96.1	6.14	90.9	5.87	86.1	5.62	81.0	5.35	75.9	5.08	72.6	4.91
	52	47	96.1	5.69	90.9	5.44	86.1	5.20	81.0	4.95	75.9	4.70	72.6	4.62
	57	52	96.1	5.16	90.9	4.93	86.1	4.72	81.0	4.53	75.9	4.37	72.6	4.21
	62	56	96.1	4.77	90.9	4.56	86.1	4.43	81.0	4.28	75.9	4.05	72.6	3.91
	67	61	96.1	4.34	90.9	4.29	86.1	4.11	81.0	3.91	75.9	3.71	72.6	3.58
	72	66	96.1	4.11	90.9	3.94	86.1	3.78	81.0	3.61	75.9	3.44	72.6	3.33
75	69	96.1	3.91	90.9	3.75	86.1	3.61	81.0	3.46	75.9	3.32	72.6	3.22	
80	74	96.1	3.56	90.9	3.41	86.1	3.26	81.0	3.09	75.9	2.94	72.6	2.83	

NOTE - Power Input = Compressor + Outdoor Fan Motor.
 MBH = 1000 BTUs per hour.

HEATING CAPACITY - SINGLE MODULE | VPB120L4

Combination (%)	Outdoor Temperature (°F)		Indoor Temperature - °F Dry Bulb											
			61		64		67		70		73		75	
	Dry Bulb	Wet Bulb	Total Cap.	Power Input	Total Cap.	Power Input	Total Cap.	Power Input	Total Cap.	Power Input	Total Cap.	Power Input	Total Cap.	Power Input
50%	-22	-23	75.3	16.34	75.8	17.09	71.8	16.80	67.5	16.47	63.2	16.13	60.5	15.90
	-17	-18	80.0	16.06	75.8	15.72	71.8	15.39	67.5	15.03	63.2	14.65	60.5	14.40
	-13	-14	80.0	13.95	75.8	13.61	71.8	13.28	67.5	12.92	63.2	12.54	60.5	12.29
	-8	-9	80.0	12.73	75.8	12.36	71.8	12.00	67.5	11.61	63.2	11.20	60.5	10.94
	-3	-4	80.0	11.82	75.8	11.42	71.8	11.03	67.5	10.61	63.2	10.17	60.5	9.83
	2	1	80.0	10.84	75.8	10.41	71.8	10.01	67.5	9.53	63.2	9.00	60.5	8.66
	7	6	80.0	9.82	75.8	9.39	71.8	8.98	67.5	8.56	63.2	8.13	60.5	7.86
	12	10	80.0	9.06	75.8	8.69	71.8	8.33	67.5	7.97	63.2	7.60	60.5	7.37
	17	15	80.0	8.27	75.8	7.95	71.8	7.65	67.5	7.33	63.2	7.01	60.5	6.81
	22	20	80.0	7.62	75.8	7.34	71.8	7.06	67.5	6.78	63.2	6.49	60.5	6.30
	27	24	80.0	7.12	75.8	6.85	71.8	6.60	67.5	6.33	63.2	6.06	60.5	5.89
	32	29	80.0	6.56	75.8	6.31	71.8	6.08	67.5	5.83	63.2	5.58	60.5	5.41
	37	34	80.0	6.00	75.8	5.77	71.8	5.55	67.5	5.32	63.2	5.08	60.5	4.93
	42	38	80.0	5.58	75.8	5.36	71.8	5.15	67.5	4.93	63.2	4.73	60.5	4.65
	47	43	80.0	5.06	75.8	4.85	71.8	4.66	67.5	4.56	63.2	4.35	60.5	4.21
	52	47	80.0	4.67	75.8	4.50	71.8	4.43	67.5	4.22	63.2	4.01	60.5	3.88
	57	52	80.0	4.34	75.8	4.18	71.8	4.00	67.5	3.82	63.2	3.63	60.5	3.51
62	56	80.0	4.04	75.8	3.88	71.8	3.72	67.5	3.55	63.2	3.38	60.5	3.27	
67	61	80.0	3.69	75.8	3.54	71.8	3.40	67.5	3.26	63.2	3.11	60.5	3.02	
72	66	80.0	3.40	75.8	3.28	71.8	3.16	67.5	3.04	63.2	2.92	60.5	2.84	
75	69	80.0	3.26	75.8	3.15	71.8	3.05	67.5	2.94	63.2	2.84	60.5	2.77	
80	74	80.0	2.99	75.8	2.86	71.8	2.74	67.5	2.62	63.2	2.47	60.5	2.39	

NOTE - Power Input = Compressor + Outdoor Fan Motor.
 MBH = 1000 BTUs per hour.

COOLING CAPACITY - TWO MODULE | VPB144L4

Combination (%)	Outdoor Temperature °F (Dry Bulb)	Indoor Temperature - °F (Dry Bulb / Wet Bulb)											
		67 / 57		71 / 60		75 / 63		80 / 67		85 / 71		90 / 75	
		Total Cap.	Power Input	Total Cap.	Power Input	Total Cap.	Power Input	Total Cap.	Power Input	Total Cap.	Power Input	Total Cap.	Power Input
		MBH	KW	MBH	KW	MBH	KW	MBH	KW	MBH	KW	MBH	KW
130%	-10	110.4	3.8	134.1	4.6	156.5	5.4	187.2	6.6	219.3	7.9	250.1	9.3
	-5	110.4	4.0	134.1	4.9	156.5	5.8	187.2	7.1	219.3	8.4	250.1	9.9
	10	110.4	4.1	134.1	5.0	156.5	5.9	187.2	7.2	219.3	8.6	250.1	10.1
	15	110.4	4.2	134.1	5.1	156.5	6.0	187.2	7.4	219.3	8.8	245.6	10.1
	20	110.4	4.3	134.1	5.2	156.5	6.2	187.2	7.5	219.3	9.0	240.6	10.1
	25	110.4	4.4	134.1	5.3	156.5	6.3	187.2	7.7	219.3	9.2	235.1	10.1
	30	110.4	4.5	134.1	5.5	156.5	6.5	187.2	7.9	219.3	9.4	229.6	10.1
	35	110.4	4.6	134.1	5.6	156.5	6.6	187.2	8.1	219.3	9.7	224.4	10.1
	40	110.4	4.7	134.1	5.7	156.5	6.8	187.2	8.3	219.3	9.9	221.0	10.2
	45	110.4	4.8	134.1	5.9	156.5	6.9	187.2	8.5	219.3	10.1	219.8	10.4
	50	110.4	4.9	134.1	6.0	156.5	7.1	187.2	8.7	216.1	10.3	219.0	10.6
	55	110.4	5.0	134.1	6.2	156.5	7.3	187.2	8.9	215.8	10.5	218.7	10.9
	60	110.4	5.2	134.1	6.4	156.5	7.5	187.2	9.2	216.5	10.8	218.8	11.2
	65	110.4	5.3	134.1	6.5	156.5	7.7	187.2	9.4	215.0	11.1	219.1	11.5
	70	110.4	5.8	134.1	7.1	156.5	8.4	187.2	10.2	215.4	12.0	219.5	12.6
	75	110.4	6.4	134.1	7.8	156.5	9.2	187.2	11.2	215.5	13.2	219.7	13.8
	80	110.4	7.0	134.1	8.6	156.5	10.1	187.2	12.3	215.2	14.5	219.3	15.1
	85	110.4	7.7	134.1	9.4	156.5	11.1	187.2	13.5	214.0	15.8	218.1	16.5
	90	110.4	8.4	134.1	10.3	156.5	12.2	187.2	14.8	211.5	17.1	215.5	17.9
	95	110.4	9.2	134.1	11.3	156.5	13.3	187.2	16.2	196.3	17.4	199.2	18.1
100	110.4	10.0	134.1	12.2	156.5	14.5	187.2	17.6	189.1	18.2	192.8	19.0	
105	110.4	10.8	134.1	13.2	156.5	15.6	174.9	17.8	180.1	18.7	183.5	19.5	
110	110.4	11.5	134.1	14.1	156.5	16.7	162.7	17.7	167.6	18.6	170.8	19.4	
115	110.4	12.2	134.1	15.0	141.2	15.9	146.6	16.9	151.0	17.8	153.9	18.5	
118	110.4	12.5	125.2	14.4	129.6	15.0	134.5	15.9	138.5	16.8	141.2	17.5	
125	88.7	10.5	92.6	11.1	95.8	11.6	99.5	12.3	102.4	12.9	104.4	13.5	
120%	-10	101.9	3.4	123.8	4.2	144.4	4.9	172.8	6.0	202.5	7.2	230.8	8.4
	-5	101.9	3.6	123.8	4.5	144.4	5.3	172.8	6.4	202.5	7.7	230.8	9.0
	10	101.9	3.7	123.8	4.5	144.4	5.4	172.8	6.5	202.5	7.8	230.8	9.2
	15	101.9	3.8	123.8	4.6	144.4	5.5	172.8	6.7	202.5	8.0	230.8	9.4
	20	101.9	3.9	123.8	4.7	144.4	5.6	172.8	6.8	202.5	8.2	230.8	9.6
	25	101.9	4.0	123.8	4.9	144.4	5.7	172.8	7.0	202.5	8.4	230.8	9.8
	30	101.9	4.0	123.8	5.0	144.4	5.9	172.8	7.2	202.5	8.6	225.5	9.8
	35	101.9	4.1	123.8	5.1	144.4	6.0	172.8	7.3	202.5	8.8	220.3	9.8
	40	101.9	4.2	123.8	5.2	144.4	6.2	172.8	7.5	202.5	9.0	216.9	9.9
	45	101.9	4.4	123.8	5.3	144.4	6.3	172.8	7.7	202.5	9.2	215.7	10.1
	50	101.9	4.5	123.8	5.5	144.4	6.5	172.8	7.9	202.5	9.5	214.9	10.3
	55	101.9	4.6	123.8	5.6	144.4	6.6	172.8	8.1	202.5	9.7	214.6	10.5
	60	101.9	4.7	123.8	5.8	144.4	6.8	172.8	8.3	202.5	10.0	214.7	10.8
	65	101.9	4.8	123.8	5.9	144.4	7.0	172.8	8.6	202.5	10.2	215.0	11.1
	70	101.9	5.3	123.8	6.5	144.4	7.6	172.8	9.3	202.5	11.1	215.3	12.1
	75	101.9	5.8	123.8	7.1	144.4	8.4	172.8	10.2	202.5	12.2	215.5	13.3
	80	101.9	6.3	123.8	7.8	144.4	9.2	172.8	11.2	202.5	13.4	215.2	14.6
	85	101.9	7.0	123.8	8.6	144.4	10.1	172.8	12.3	202.5	14.7	214.0	16.0
	90	101.9	7.6	123.8	9.4	144.4	11.1	172.8	13.5	202.5	16.2	211.5	17.3
	95	101.9	8.3	123.8	10.2	144.4	12.1	172.8	14.7	196.3	17.1	199.2	17.8
100	101.9	9.1	123.8	11.1	144.4	13.1	172.8	16.0	189.1	17.9	192.8	18.7	
105	101.9	9.8	123.8	12.0	144.4	14.2	172.8	17.3	180.1	18.4	183.5	19.2	
110	101.9	10.5	123.8	12.9	144.4	15.2	162.7	17.4	167.6	18.3	170.8	19.1	
115	101.9	11.1	123.8	13.6	141.2	15.7	146.6	16.6	151.0	17.5	153.9	18.2	
118	101.9	11.4	123.8	14.0	129.6	14.8	134.5	15.7	138.5	16.5	141.2	17.2	
125	88.7	10.3	92.6	10.9	95.8	11.4	99.5	12.1	102.4	12.7	104.4	13.3	

NOTE - Power Input = Compressor + Outdoor Fan Motor.
MBH = 1000 BTUs per hour.

COOLING CAPACITY - TWO MODULE | VPB144L4

Combination (%)	Outdoor Temperature °F (Dry Bulb)	Indoor Temperature - °F (Dry Bulb / Wet Bulb)											
		67 / 57		71 / 60		75 / 63		80 / 67		85 / 71		90 / 75	
		Total Cap.	Power Input	Total Cap.	Power Input	Total Cap.	Power Input	Total Cap.	Power Input	Total Cap.	Power Input	Total Cap.	Power Input
		MBH	kW	MBH	kW	MBH	kW	MBH	kW	MBH	kW	MBH	kW
110%	-10	93.4	3.1	113.5	3.8	132.4	4.5	158.4	5.4	185.6	6.5	211.6	7.6
	-5	93.4	3.3	113.5	4.0	132.4	4.7	158.4	5.8	185.6	6.9	211.6	8.1
	10	93.4	3.3	113.5	4.1	132.4	4.8	158.4	5.9	185.6	7.1	211.6	8.3
	15	93.4	3.4	113.5	4.2	132.4	5.0	158.4	6.0	185.6	7.2	211.6	8.4
	20	93.4	3.5	113.5	4.3	132.4	5.1	158.4	6.2	185.6	7.4	211.6	8.6
	25	93.4	3.6	113.5	4.4	132.4	5.2	158.4	6.3	185.6	7.6	211.6	8.8
	30	93.4	3.7	113.5	4.5	132.4	5.3	158.4	6.5	185.6	7.7	211.6	9.0
	35	93.4	3.7	113.5	4.6	132.4	5.4	158.4	6.6	185.6	7.9	211.6	9.3
	40	93.4	3.8	113.5	4.7	132.4	5.6	158.4	6.8	185.6	8.1	211.6	9.5
	45	93.4	3.9	113.5	4.8	132.4	5.7	158.4	6.9	185.6	8.3	211.5	9.7
	50	93.4	4.0	113.5	5.0	132.4	5.8	158.4	7.1	185.6	8.5	210.8	9.9
	55	93.4	4.1	113.5	5.1	132.4	6.0	158.4	7.3	185.6	8.8	210.5	10.2
	60	93.4	4.2	113.5	5.2	132.4	6.2	158.4	7.5	185.6	9.0	210.5	10.5
	65	93.4	4.4	113.5	5.4	132.4	6.3	158.4	7.7	185.6	9.3	210.8	10.8
	70	93.4	4.7	113.5	5.8	132.4	6.9	158.4	8.4	185.6	10.1	211.2	11.7
	75	93.4	5.2	113.5	6.4	132.4	7.6	158.4	9.2	185.6	11.0	211.4	12.9
	80	93.4	5.7	113.5	7.0	132.4	8.3	158.4	10.1	185.6	12.1	211.1	14.1
	85	93.4	6.3	113.5	7.7	132.4	9.1	158.4	11.1	185.6	13.3	209.9	15.4
	90	93.4	6.9	113.5	8.5	132.4	10.0	158.4	12.2	185.6	14.6	207.4	16.7
	95	93.4	7.5	113.5	9.2	132.4	10.9	158.4	13.3	185.6	15.9	199.2	17.5
100	93.4	8.2	113.5	10.0	132.4	11.9	158.4	14.5	185.6	17.3	192.8	18.4	
105	93.4	8.8	113.5	10.8	132.4	12.8	158.4	15.6	180.1	18.1	183.5	18.9	
110	93.4	9.4	113.5	11.6	132.4	13.7	158.4	16.7	167.6	18.1	170.8	18.9	
115	93.4	10.0	113.5	12.3	132.4	14.5	146.6	16.4	151.0	17.2	153.9	18.0	
118	93.4	10.3	113.5	12.6	129.6	14.6	134.5	15.4	138.5	16.2	141.2	17.0	
125	88.7	10.2	92.6	10.7	95.8	11.2	99.5	11.9	102.4	12.5	104.4	13.1	
100%	-10	84.9	2.8	103.2	3.4	120.4	4.0	144.0	4.9	168.7	5.8	192.4	6.8
	-5	84.9	2.9	103.2	3.6	120.4	4.3	144.0	5.2	168.7	6.2	192.4	7.2
	10	84.9	3.0	103.2	3.7	120.4	4.3	144.0	5.3	168.7	6.3	192.4	7.4
	15	84.9	3.1	103.2	3.8	120.4	4.4	144.0	5.4	168.7	6.5	192.4	7.6
	20	84.9	3.1	103.2	3.8	120.4	4.5	144.0	5.5	168.7	6.6	192.4	7.7
	25	84.9	3.2	103.2	3.9	120.4	4.6	144.0	5.7	168.7	6.8	192.4	7.9
	30	84.9	3.3	103.2	4.0	120.4	4.7	144.0	5.8	168.7	6.9	192.4	8.1
	35	84.9	3.3	103.2	4.1	120.4	4.9	144.0	5.9	168.7	7.1	192.4	8.3
	40	84.9	3.4	103.2	4.2	120.4	5.0	144.0	6.1	168.7	7.3	192.4	8.5
	45	84.9	3.5	103.2	4.3	120.4	5.1	144.0	6.2	168.7	7.5	192.4	8.7
	50	84.9	3.6	103.2	4.4	120.4	5.2	144.0	6.4	168.7	7.6	192.4	8.9
	55	84.9	3.7	103.2	4.6	120.4	5.4	144.0	6.6	168.7	7.8	192.4	9.2
	60	84.9	3.8	103.2	4.7	120.4	5.5	144.0	6.7	168.7	8.1	192.4	9.4
	65	84.9	3.9	103.2	4.8	120.4	5.7	144.0	6.9	168.7	8.3	192.4	9.7
	70	84.9	4.3	103.2	5.2	120.4	6.2	144.0	7.5	168.7	9.0	192.4	10.5
	75	84.9	4.7	103.2	5.7	120.4	6.8	144.0	8.3	168.7	9.9	192.4	11.6
	80	84.9	5.1	103.2	6.3	120.4	7.4	144.0	9.1	168.7	10.9	192.4	12.7
	85	84.9	5.6	103.2	6.9	120.4	8.2	144.0	9.9	168.7	11.9	192.4	13.9
	90	84.9	6.2	103.2	7.6	120.4	8.9	144.0	10.9	168.7	13.1	192.4	15.2
	95	84.9	6.7	103.2	8.3	120.4	9.8	144.0	11.9	168.7	14.3	192.4	16.7
100	84.9	7.3	103.2	9.0	120.4	10.6	144.0	12.9	168.7	15.5	192.4	18.1	
105	84.9	7.9	103.2	9.7	120.4	11.5	144.0	14.0	168.7	16.7	183.5	18.6	
110	84.9	8.5	103.2	10.4	120.4	12.3	144.0	15.0	167.6	17.8	170.8	18.6	
115	84.9	8.9	103.2	11.0	120.4	13.0	144.0	15.8	151.0	17.0	153.9	17.7	
118	84.9	9.2	103.2	11.3	120.4	13.3	134.5	15.2	138.5	16.0	141.2	16.7	
125	84.9	9.6	92.6	10.6	95.8	11.1	99.5	11.7	102.4	12.3	104.4	12.9	

NOTE - Power Input = Compressor + Outdoor Fan Motor.
 MBH = 1000 BTUs per hour.

COOLING CAPACITY - TWO MODULE | VPB144L4

Combination (%)	Outdoor Temperature °F (Dry Bulb)	Indoor Temperature - °F (Dry Bulb / Wet Bulb)											
		67 / 57		71 / 60		75 / 63		80 / 67		85 / 71		90 / 75	
		Total Cap.	Power Input	Total Cap.	Power Input	Total Cap.	Power Input	Total Cap.	Power Input	Total Cap.	Power Input	Total Cap.	Power Input
		MBH	KW	MBH	KW	MBH	KW	MBH	KW	MBH	KW	MBH	KW
90%	-10	76.4	2.4	92.8	3.0	108.3	3.5	129.6	4.3	151.8	5.2	173.1	6.0
	-5	76.4	2.6	92.8	3.2	108.3	3.8	129.6	4.6	151.8	5.5	173.1	6.4
	10	76.4	2.7	92.8	3.3	108.3	3.8	129.6	4.7	151.8	5.6	173.1	6.6
	15	76.4	2.7	92.8	3.3	108.3	3.9	129.6	4.8	151.8	5.7	173.1	6.7
	20	76.4	2.8	92.8	3.4	108.3	4.0	129.6	4.9	151.8	5.9	173.1	6.9
	25	76.4	2.8	92.8	3.5	108.3	4.1	129.6	5.0	151.8	6.0	173.1	7.0
	30	76.4	2.9	92.8	3.6	108.3	4.2	129.6	5.1	151.8	6.1	173.1	7.2
	35	76.4	3.0	92.8	3.6	108.3	4.3	129.6	5.3	151.8	6.3	173.1	7.3
	40	76.4	3.0	92.8	3.7	108.3	4.4	129.6	5.4	151.8	6.4	173.1	7.5
	45	76.4	3.1	92.8	3.8	108.3	4.5	129.6	5.5	151.8	6.6	173.1	7.7
	50	76.4	3.2	92.8	3.9	108.3	4.6	129.6	5.7	151.8	6.8	173.1	7.9
	55	76.4	3.3	92.8	4.0	108.3	4.8	129.6	5.8	151.8	7.0	173.1	8.1
	60	76.4	3.4	92.8	4.1	108.3	4.9	129.6	6.0	151.8	7.1	173.1	8.3
	65	76.4	3.5	92.8	4.3	108.3	5.0	129.6	6.1	151.8	7.3	173.1	8.6
	70	76.4	3.8	92.8	4.6	108.3	5.5	129.6	6.7	151.8	8.0	173.1	9.3
	75	76.4	4.1	92.8	5.1	108.3	6.0	129.6	7.3	151.8	8.8	173.1	10.2
	80	76.4	4.5	92.8	5.6	108.3	6.6	129.6	8.0	151.8	9.6	173.1	11.2
	85	76.4	5.0	92.8	6.1	108.3	7.2	129.6	8.8	151.8	10.6	173.1	12.3
	90	76.4	5.5	92.8	6.7	108.3	7.9	129.6	9.7	151.8	11.6	173.1	13.5
	95	76.4	6.0	92.8	7.3	108.3	8.7	129.6	10.6	151.8	12.6	173.1	14.8
100	76.4	6.5	92.8	8.0	108.3	9.4	129.6	11.5	151.8	13.7	173.1	16.1	
105	76.4	7.0	92.8	8.6	108.3	10.2	129.6	12.4	151.8	14.8	173.1	17.3	
110	76.4	7.5	92.8	9.2	108.3	10.9	129.6	13.3	151.8	15.9	170.8	18.3	
115	76.4	7.9	92.8	9.7	108.3	11.5	129.6	14.0	151.0	16.7	153.9	17.4	
118	76.4	8.2	92.8	10.0	108.3	11.8	129.6	14.4	138.5	15.8	141.2	16.5	
125	76.4	8.5	92.6	10.4	95.8	10.9	99.5	11.5	102.4	12.2	104.4	12.7	
80%	-10	67.9	2.1	82.5	2.6	96.3	3.1	115.2	3.8	135.0	4.5	153.9	5.3
	-5	67.9	2.3	82.5	2.8	96.3	3.3	115.2	4.0	135.0	4.8	153.9	5.6
	10	67.9	2.3	82.5	2.9	96.3	3.4	115.2	4.1	135.0	4.9	153.9	5.7
	15	67.9	2.4	82.5	2.9	96.3	3.4	115.2	4.2	135.0	5.0	153.9	5.9
	20	67.9	2.4	82.5	3.0	96.3	3.5	115.2	4.3	135.0	5.1	153.9	6.0
	25	67.9	2.5	82.5	3.1	96.3	3.6	115.2	4.4	135.0	5.3	153.9	6.1
	30	67.9	2.5	82.5	3.1	96.3	3.7	115.2	4.5	135.0	5.4	153.9	6.3
	35	67.9	2.6	82.5	3.2	96.3	3.8	115.2	4.6	135.0	5.5	153.9	6.4
	40	67.9	2.7	82.5	3.3	96.3	3.9	115.2	4.7	135.0	5.6	153.9	6.6
	45	67.9	2.7	82.5	3.4	96.3	4.0	115.2	4.8	135.0	5.8	153.9	6.8
	50	67.9	2.8	82.5	3.4	96.3	4.1	115.2	5.0	135.0	5.9	153.9	6.9
	55	67.9	2.9	82.5	3.5	96.3	4.2	115.2	5.1	135.0	6.1	153.9	7.1
	60	67.9	3.0	82.5	3.6	96.3	4.3	115.2	5.2	135.0	6.3	153.9	7.3
	65	67.9	3.0	82.5	3.7	96.3	4.4	115.2	5.4	135.0	6.4	153.9	7.5
	70	67.9	3.3	82.5	4.1	96.3	4.8	115.2	5.8	135.0	7.0	153.9	8.2
	75	67.9	3.6	82.5	4.5	96.3	5.3	115.2	6.4	135.0	7.7	153.9	9.0
	80	67.9	4.0	82.5	4.9	96.3	5.8	115.2	7.0	135.0	8.4	153.9	9.9
	85	67.9	4.4	82.5	5.4	96.3	6.3	115.2	7.7	135.0	9.3	153.9	10.8
	90	67.9	4.8	82.5	5.9	96.3	6.9	115.2	8.5	135.0	10.1	153.9	11.8
	95	67.9	5.2	82.5	6.4	96.3	7.6	115.2	9.2	135.0	11.1	153.9	12.9
100	67.9	5.7	82.5	7.0	96.3	8.2	115.2	10.1	135.0	12.0	153.9	14.1	
105	67.9	6.1	82.5	7.5	96.3	8.9	115.2	10.9	135.0	13.0	153.9	15.2	
110	67.9	6.6	82.5	8.1	96.3	9.5	115.2	11.6	135.0	13.9	153.9	16.2	
115	67.9	6.9	82.5	8.5	96.3	10.1	115.2	12.3	135.0	14.7	153.9	17.2	
118	67.9	7.1	82.5	8.8	96.3	10.4	115.2	12.6	135.0	15.1	141.2	16.2	
125	67.9	7.5	82.5	9.2	95.8	10.8	99.5	11.4	102.4	12.0	104.4	12.5	

NOTE - Power Input = Compressor + Outdoor Fan Motor.
MBH = 1000 BTUs per hour.

COOLING CAPACITY - TWO MODULE | VPB144L4

Combination (%)	Outdoor Temperature °F (Dry Bulb)	Indoor Temperature - °F (Dry Bulb / Wet Bulb)											
		67 / 57		71 / 60		75 / 63		80 / 67		85 / 71		90 / 75	
		Total Cap.	Power Input	Total Cap.	Power Input	Total Cap.	Power Input	Total Cap.	Power Input	Total Cap.	Power Input	Total Cap.	Power Input
		MBH	kW	MBH	kW	MBH	kW	MBH	kW	MBH	kW	MBH	kW
70%	-10	59.4	1.8	72.2	2.3	84.3	2.7	100.8	3.3	118.1	3.9	134.7	4.6
	-5	59.4	2.0	72.2	2.4	84.3	2.8	100.8	3.5	118.1	4.2	134.7	4.9
	10	59.4	2.0	72.2	2.5	84.3	2.9	100.8	3.5	118.1	4.2	134.7	5.0
	15	59.4	2.0	72.2	2.5	84.3	3.0	100.8	3.6	118.1	4.3	134.7	5.1
	20	59.4	2.1	72.2	2.6	84.3	3.0	100.8	3.7	118.1	4.4	134.7	5.2
	25	59.4	2.1	72.2	2.6	84.3	3.1	100.8	3.8	118.1	4.5	134.7	5.3
	30	59.4	2.2	72.2	2.7	84.3	3.2	100.8	3.9	118.1	4.6	134.7	5.4
	35	59.4	2.2	72.2	2.8	84.3	3.3	100.8	4.0	118.1	4.8	134.7	5.6
	40	59.4	2.3	72.2	2.8	84.3	3.3	100.8	4.1	118.1	4.9	134.7	5.7
	45	59.4	2.4	72.2	2.9	84.3	3.4	100.8	4.2	118.1	5.0	134.7	5.8
	50	59.4	2.4	72.2	3.0	84.3	3.5	100.8	4.3	118.1	5.1	134.7	6.0
	55	59.4	2.5	72.2	3.0	84.3	3.6	100.8	4.4	118.1	5.3	134.7	6.1
	60	59.4	2.5	72.2	3.1	84.3	3.7	100.8	4.5	118.1	5.4	134.7	6.3
	65	59.4	2.6	72.2	3.2	84.3	3.8	100.8	4.6	118.1	5.5	134.7	6.5
	70	59.4	2.8	72.2	3.5	84.3	4.1	100.8	5.0	118.1	6.0	134.7	7.0
	75	59.4	3.1	72.2	3.8	84.3	4.5	100.8	5.5	118.1	6.6	134.7	7.7
	80	59.4	3.4	72.2	4.2	84.3	5.0	100.8	6.1	118.1	7.3	134.7	8.5
	85	59.4	3.8	72.2	4.6	84.3	5.5	100.8	6.7	118.1	8.0	134.7	9.3
	90	59.4	4.1	72.2	5.1	84.3	6.0	100.8	7.3	118.1	8.7	134.7	10.2
	95	59.4	4.5	72.2	5.5	84.3	6.5	100.8	8.0	118.1	9.6	134.7	11.2
100	59.4	4.9	72.2	6.0	84.3	7.1	100.8	8.7	118.1	10.4	134.7	12.1	
105	59.4	5.3	72.2	6.5	84.3	7.7	100.8	9.4	118.1	11.2	134.7	13.1	
110	59.4	5.7	72.2	7.0	84.3	8.2	100.8	10.0	118.1	12.0	134.7	14.0	
115	59.4	6.0	72.2	7.4	84.3	8.7	100.8	10.6	118.1	12.7	134.7	14.8	
118	59.4	6.2	72.2	7.6	84.3	8.9	100.8	10.9	118.1	13.1	134.7	15.2	
125	59.4	6.4	72.2	7.9	84.3	9.3	99.5	11.2	102.4	11.8	104.4	12.3	
60%	-10	50.9	1.6	61.9	1.9	72.2	2.3	86.4	2.8	101.2	3.3	115.4	3.9
	-5	50.9	1.7	61.9	2.0	72.2	2.4	86.4	2.9	101.2	3.5	115.4	4.1
	10	50.9	1.7	61.9	2.1	72.2	2.5	86.4	3.0	101.2	3.6	115.4	4.2
	15	50.9	1.7	61.9	2.1	72.2	2.5	86.4	3.1	101.2	3.7	115.4	4.3
	20	50.9	1.8	61.9	2.2	72.2	2.6	86.4	3.1	101.2	3.7	115.4	4.4
	25	50.9	1.8	61.9	2.2	72.2	2.6	86.4	3.2	101.2	3.8	115.4	4.5
	30	50.9	1.9	61.9	2.3	72.2	2.7	86.4	3.3	101.2	3.9	115.4	4.6
	35	50.9	1.9	61.9	2.3	72.2	2.8	86.4	3.4	101.2	4.0	115.4	4.7
	40	50.9	1.9	61.9	2.4	72.2	2.8	86.4	3.4	101.2	4.1	115.4	4.8
	45	50.9	2.0	61.9	2.4	72.2	2.9	86.4	3.5	101.2	4.2	115.4	4.9
	50	50.9	2.0	61.9	2.5	72.2	3.0	86.4	3.6	101.2	4.3	115.4	5.1
	55	50.9	2.1	61.9	2.6	72.2	3.0	86.4	3.7	101.2	4.4	115.4	5.2
	60	50.9	2.2	61.9	2.6	72.2	3.1	86.4	3.8	101.2	4.6	115.4	5.3
	65	50.9	2.2	61.9	2.7	72.2	3.2	86.4	3.9	101.2	4.7	115.4	5.5
	70	50.9	2.4	61.9	3.0	72.2	3.5	86.4	4.3	101.2	5.1	115.4	6.0
	75	50.9	2.6	61.9	3.2	72.2	3.8	86.4	4.7	101.2	5.6	115.4	6.5
	80	50.9	2.9	61.9	3.6	72.2	4.2	86.4	5.1	101.2	6.1	115.4	7.2
	85	50.9	3.2	61.9	3.9	72.2	4.6	86.4	5.6	101.2	6.7	115.4	7.9
	90	50.9	3.5	61.9	4.3	72.2	5.1	86.4	6.2	101.2	7.4	115.4	8.6
	95	50.9	3.8	61.9	4.7	72.2	5.5	86.4	6.7	101.2	8.1	115.4	9.4
100	50.9	4.1	61.9	5.1	72.2	6.0	86.4	7.3	101.2	8.8	115.4	10.2	
105	50.9	4.5	61.9	5.5	72.2	6.5	86.4	7.9	101.2	9.5	115.4	11.1	
110	50.9	4.8	61.9	5.9	72.2	6.9	86.4	8.5	101.2	10.1	115.4	11.8	
115	50.9	5.1	61.9	6.2	72.2	7.3	86.4	9.0	101.2	10.7	115.4	12.5	
118	50.9	5.2	61.9	6.4	72.2	7.6	86.4	9.2	101.2	11.0	115.4	12.9	
125	50.9	5.4	61.9	6.7	72.2	7.9	86.4	9.6	101.2	11.5	104.4	12.1	

NOTE - Power Input = Compressor + Outdoor Fan Motor.
 MBH = 1000 BTUs per hour.

COOLING CAPACITY - TWO MODULE | VPB144L4

Combination (%)	Outdoor Temperature °F (Dry Bulb)	Indoor Temperature - °F (Dry Bulb / Wet Bulb)											
		67 / 57		71 / 60		75 / 63		80 / 67		85 / 71		90 / 75	
		Total Cap.	Power Input	Total Cap.	Power Input	Total Cap.	Power Input	Total Cap.	Power Input	Total Cap.	Power Input	Total Cap.	Power Input
		MBH	kW	MBH	kW	MBH	kW	MBH	kW	MBH	kW	MBH	kW
50%	-10	42.4	1.3	51.6	1.6	60.2	1.9	72.0	2.3	84.4	2.7	96.2	3.2
	-5	42.4	1.4	51.6	1.7	60.2	2.0	72.0	2.4	84.4	2.9	96.2	3.4
	10	42.4	1.4	51.6	1.7	60.2	2.0	72.0	2.5	84.4	2.9	96.2	3.4
	15	42.4	1.4	51.6	1.7	60.2	2.1	72.0	2.5	84.4	3.0	96.2	3.5
	20	42.4	1.5	51.6	1.8	60.2	2.1	72.0	2.6	84.4	3.1	96.2	3.6
	25	42.4	1.5	51.6	1.8	60.2	2.2	72.0	2.6	84.4	3.1	96.2	3.7
	30	42.4	1.5	51.6	1.9	60.2	2.2	72.0	2.7	84.4	3.2	96.2	3.8
	35	42.4	1.6	51.6	1.9	60.2	2.3	72.0	2.8	84.4	3.3	96.2	3.9
	40	42.4	1.6	51.6	2.0	60.2	2.3	72.0	2.8	84.4	3.4	96.2	3.9
	45	42.4	1.6	51.6	2.0	60.2	2.4	72.0	2.9	84.4	3.5	96.2	4.0
	50	42.4	1.7	51.6	2.1	60.2	2.4	72.0	3.0	84.4	3.6	96.2	4.2
	55	42.4	1.7	51.6	2.1	60.2	2.5	72.0	3.0	84.4	3.6	96.2	4.3
	60	42.4	1.8	51.6	2.2	60.2	2.6	72.0	3.1	84.4	3.7	96.2	4.4
	65	42.4	1.8	51.6	2.2	60.2	2.6	72.0	3.2	84.4	3.9	96.2	4.5
	70	42.4	2.0	51.6	2.4	60.2	2.9	72.0	3.5	84.4	4.2	96.2	4.9
	75	42.4	2.2	51.6	2.7	60.2	3.2	72.0	3.8	84.4	4.6	96.2	5.4
	80	42.4	2.4	51.6	2.9	60.2	3.5	72.0	4.2	84.4	5.1	96.2	5.9
	85	42.4	2.6	51.6	3.2	60.2	3.8	72.0	4.6	84.4	5.5	96.2	6.5
	90	42.4	2.9	51.6	3.5	60.2	4.2	72.0	5.1	84.4	6.1	96.2	7.1
	95	42.4	3.1	51.6	3.8	60.2	4.5	72.0	5.5	84.4	6.6	96.2	7.7
100	42.4	3.4	51.6	4.2	60.2	4.9	72.0	6.0	84.4	7.2	96.2	8.4	
105	42.4	3.7	51.6	4.5	60.2	5.3	72.0	6.5	84.4	7.8	96.2	9.1	
110	42.4	3.9	51.6	4.8	60.2	5.7	72.0	7.0	84.4	8.3	96.2	9.7	
115	42.4	4.2	51.6	5.1	60.2	6.0	72.0	7.4	84.4	8.8	96.2	10.3	
118	42.4	4.3	51.6	5.3	60.2	6.2	72.0	7.6	84.4	9.1	96.2	10.6	
125	42.4	4.5	51.6	5.5	60.2	6.5	72.0	7.9	84.4	9.5	96.2	11.0	

NOTE - Power Input = Compressor + Outdoor Fan Motor.
 MBH = 1000 BTUs per hour.

HEATING CAPACITY - TWO MODULE | VPB144L4

Combination (%)	Outdoor Temperature (°F)		Indoor Temperature - °F Dry Bulb											
			61		64		67		70		73		75	
	Dry Bulb	Wet Bulb	Total Cap. MBH	Power Input kW	Total Cap. MBH	Power Input kW	Total Cap. MBH	Power Input kW	Total Cap. MBH	Power Input kW	Total Cap. MBH	Power Input kW	Total Cap. MBH	Power Input kW
130%	-22	-23	107.3	19.5	105.2	19.7	103.3	20.0	101.4	20.3	99.7	20.6	98.7	20.9
	-17	-18	132.9	19.9	129.6	20.2	126.8	20.6	124.0	21.0	121.5	21.4	120.0	21.7
	-13	-14	157.2	20.4	153.0	20.8	149.4	21.2	145.9	21.6	142.9	22.1	141.1	22.4
	-8	-9	167.9	20.7	163.7	21.1	160.1	21.5	156.7	22.0	153.8	22.4	152.1	22.7
	-3	-4	172.8	20.9	168.9	21.3	165.6	21.7	162.5	22.2	159.9	22.7	158.4	23.0
	2	1	176.6	21.6	173.2	22.0	170.3	22.5	167.6	23.0	165.4	23.5	164.1	23.8
	7	6	181.6	22.0	178.6	22.5	176.1	23.0	173.9	23.5	172.0	24.1	170.9	24.4
	12	10	187.4	22.4	184.7	22.9	182.5	23.4	180.5	24.0	178.8	24.5	177.9	24.9
	17	15	196.7	23.0	194.4	23.5	192.5	24.0	190.8	24.6	189.4	25.2	188.7	24.9
	22	20	207.6	23.6	205.6	24.1	203.9	24.6	202.4	25.2	197.3	24.0	188.7	22.1
	27	24	218.0	24.1	216.2	24.7	214.7	25.2	210.6	24.3	197.3	21.5	188.7	19.8
	32	29	231.5	24.8	229.8	25.4	223.9	24.0	210.6	21.4	197.3	18.9	188.7	17.3
	37	34	249.7	25.7	236.4	23.2	223.9	21.0	210.6	18.8	197.3	16.6	188.7	15.4
	42	38	249.7	23.2	236.4	21.0	223.9	19.0	210.6	17.0	197.3	15.3	188.7	14.4
	47	43	249.7	20.5	236.4	18.5	223.9	16.8	210.6	15.3	197.3	14.0	188.7	13.2
	52	47	249.7	18.6	236.4	16.9	223.9	15.5	210.6	14.3	197.3	13.1	188.7	12.3
	57	52	249.7	16.6	236.4	15.3	223.9	14.2	210.6	13.0	197.3	11.9	188.7	11.2
	62	56	249.7	15.3	236.4	14.2	223.9	13.1	210.6	12.1	197.3	11.0	188.7	10.4
	67	61	249.7	13.9	236.4	12.8	223.9	11.9	210.6	10.9	197.3	10.0	188.7	9.5
	72	66	249.7	12.5	236.4	11.6	223.9	10.7	210.6	9.8	197.3	9.2	188.7	8.8
75	69	249.7	11.7	236.4	10.8	223.9	10.0	210.6	9.3	197.3	8.7	188.7	8.3	
80	74	249.7	10.5	236.4	9.7	223.9	9.1	210.6	8.5	197.3	7.9	188.7	7.6	
120%	-22	-23	105.7	19.6	103.7	19.9	101.9	20.2	100.1	20.5	98.5	20.8	97.5	21.0
	-17	-18	130.2	20.1	127.2	20.5	124.5	20.8	122.0	21.2	119.6	21.6	118.3	21.9
	-13	-14	153.4	20.7	149.6	21.1	146.4	21.5	143.2	21.9	140.5	22.4	138.9	22.7
	-8	-9	164.0	21.0	160.2	21.4	157.0	21.9	153.9	22.3	151.3	22.8	149.9	23.1
	-3	-4	169.0	21.2	165.5	21.7	162.6	22.1	159.9	22.6	157.6	23.1	156.4	23.4
	2	1	173.1	22.0	170.1	22.4	167.6	22.9	165.3	23.4	163.3	23.9	162.3	24.3
	7	6	178.4	22.5	175.8	23.0	173.7	23.4	171.7	24.0	170.2	24.5	169.3	24.9
	12	10	184.4	22.9	182.1	23.4	180.2	23.9	178.5	24.5	177.2	25.1	174.2	24.1
	17	15	194.0	23.5	192.0	24.0	190.4	24.6	189.0	25.1	182.1	23.3	174.2	21.5
	22	20	205.0	24.1	203.3	24.7	201.9	25.2	194.4	23.2	182.1	20.6	174.2	18.8
	27	24	215.6	24.7	218.2	25.8	206.7	23.4	194.4	20.8	182.1	18.4	174.2	16.8
	32	29	230.5	25.1	218.2	22.7	206.7	20.5	194.4	18.3	182.1	16.1	174.2	15.0
	37	34	230.5	22.0	218.2	19.9	206.7	18.0	194.4	16.0	182.1	14.6	174.2	13.8
	42	38	230.5	19.9	218.2	18.0	206.7	16.3	194.4	14.9	182.1	13.7	174.2	12.9
	47	43	230.5	17.6	218.2	15.9	206.7	14.8	194.4	13.7	182.1	12.6	174.2	11.8
	52	47	230.5	16.0	218.2	14.8	206.7	13.8	194.4	12.7	182.1	11.7	174.2	11.0
	57	52	230.5	14.6	218.2	13.5	206.7	12.6	194.4	11.6	182.1	10.6	174.2	10.0
	62	56	230.5	13.5	218.2	12.6	206.7	11.6	194.4	10.7	182.1	9.9	174.2	9.5
	67	61	230.5	12.2	218.2	11.3	206.7	10.5	194.4	9.7	182.1	9.1	174.2	8.7
	72	66	230.5	11.0	218.2	10.2	206.7	9.5	194.4	8.9	182.1	8.4	174.2	8.0
75	69	230.5	10.3	218.2	9.5	206.7	9.0	194.4	8.5	182.1	7.9	174.2	7.6	
80	74	230.5	9.2	218.2	8.7	206.7	8.2	194.4	7.7	182.1	7.3	174.2	6.9	

NOTE - Power Input = Compressor + Outdoor Fan Motor.
 MBH = 1000 BTUs per hour.

HEATING CAPACITY - TWO MODULE | VPB144L4

Combination (%)	Outdoor Temperature (°F)		Indoor Temperature - °F Dry Bulb											
			61		64		67		70		73		75	
	Dry Bulb	Wet Bulb	Total Cap. MBH	Power Input kW	Total Cap. MBH	Power Input kW	Total Cap. MBH	Power Input kW	Total Cap. MBH	Power Input kW	Total Cap. MBH	Power Input kW	Total Cap. MBH	Power Input kW
110%	-22	-23	104.0	19.8	102.1	20.1	100.4	20.3	98.7	20.7	97.2	21.0	96.2	21.2
	-17	-18	127.5	20.4	124.7	20.8	122.2	21.1	119.9	21.5	117.7	21.9	116.5	22.2
	-13	-14	149.6	21.1	146.2	21.5	143.2	21.9	140.5	22.3	138.1	22.8	136.7	23.1
	-8	-9	159.9	21.4	156.6	21.8	153.8	22.3	151.2	22.7	149.0	23.2	147.8	23.6
	-3	-4	165.1	21.7	162.1	22.1	159.6	22.6	157.3	23.0	155.5	23.6	154.5	23.9
	2	1	169.6	22.4	167.0	22.9	164.9	23.4	163.0	23.9	161.5	24.5	159.7	24.1
	7	6	175.3	23.0	173.1	23.5	171.3	24.0	169.7	24.5	166.9	24.1	159.7	22.3
	12	10	181.5	23.4	179.6	24.0	178.0	24.5	178.2	25.0	166.9	22.3	159.7	20.5
	17	15	191.3	24.1	189.7	24.7	189.5	24.9	178.2	22.2	166.9	19.7	159.7	18.0
	22	20	202.5	24.8	200.1	24.3	189.5	22.0	178.2	19.6	166.9	17.2	159.7	15.7
	27	24	211.3	24.1	200.1	21.8	189.5	19.7	178.2	17.5	166.9	15.3	159.7	14.4
	32	29	211.3	21.2	200.1	19.2	189.5	17.3	178.2	15.3	166.9	14.1	159.7	13.3
	37	34	211.3	18.6	200.1	16.8	189.5	15.3	178.2	14.1	166.9	13.0	159.7	12.3
	42	38	211.3	16.8	200.1	15.3	189.5	14.3	178.2	13.2	166.9	12.2	159.7	11.5
	47	43	211.3	15.1	200.1	14.0	189.5	13.1	178.2	12.1	166.9	11.1	159.7	10.5
	52	47	211.3	14.1	200.1	13.1	189.5	12.2	178.2	11.2	166.9	10.3	159.7	9.8
	57	52	211.3	12.8	200.1	11.9	189.5	11.1	178.2	10.2	166.9	9.5	159.7	9.1
	62	56	211.3	11.9	200.1	11.0	189.5	10.2	178.2	9.6	166.9	9.0	159.7	8.6
	67	61	211.3	10.7	200.1	9.9	189.5	9.4	178.2	8.8	166.9	8.3	159.7	8.0
	72	66	211.3	9.6	200.1	9.1	189.5	8.6	178.2	8.1	166.9	7.6	159.7	7.3
75	69	211.3	9.1	200.1	8.6	189.5	8.1	178.2	7.7	166.9	7.2	159.7	6.9	
80	74	211.3	8.3	200.1	7.8	189.5	7.4	178.2	7.0	166.9	6.5	159.7	6.2	
100%	-22	-23	102.2	20.0	100.4	20.3	98.8	20.6	97.2	20.9	95.8	21.2	94.9	21.5
	-17	-18	124.6	20.7	122.0	21.1	119.8	21.5	117.7	21.9	115.8	22.3	114.6	22.5
	-13	-14	145.7	21.5	142.6	21.9	140.1	22.3	137.7	22.8	135.7	23.2	134.5	23.5
	-8	-9	155.8	21.9	152.9	22.3	150.6	22.8	148.4	23.3	146.7	23.8	145.1	23.6
	-3	-4	161.3	22.2	158.7	22.6	156.7	23.1	154.9	23.6	151.8	23.3	145.1	21.9
	2	1	166.1	23.0	164.0	23.5	162.3	24.0	162.0	24.4	151.8	22.2	145.1	20.6
	7	6	172.2	23.6	170.4	24.1	172.2	25.1	162.0	22.7	151.8	20.3	145.1	18.8
	12	10	178.7	24.1	177.1	24.7	172.2	23.3	162.0	21.0	151.8	18.6	145.1	17.0
	17	15	192.1	25.2	181.9	22.9	172.2	20.7	162.0	18.4	151.8	16.1	145.1	14.6
	22	20	192.1	22.4	181.9	20.2	172.2	18.2	162.0	16.1	151.8	14.3	145.1	13.6
	27	24	192.1	20.0	181.9	18.0	172.2	16.2	162.0	14.6	151.8	13.4	145.1	12.7
	32	29	192.1	17.5	181.9	15.8	172.2	14.5	162.0	13.5	151.8	12.4	145.1	11.7
	37	34	192.1	15.4	181.9	14.3	172.2	13.4	162.0	12.4	151.8	11.4	145.1	10.8
	42	38	192.1	14.4	181.9	13.4	172.2	12.5	162.0	11.6	151.8	10.7	145.1	10.0
	47	43	192.1	13.2	181.9	12.3	172.2	11.4	162.0	10.6	151.8	9.8	145.1	9.4
	52	47	192.1	12.3	181.9	11.4	172.2	10.6	162.0	9.9	151.8	9.3	145.1	8.9
	57	52	192.1	11.1	181.9	10.3	172.2	9.7	162.0	9.2	151.8	8.6	145.1	8.3
	62	56	192.1	10.3	181.9	9.6	172.2	9.1	162.0	8.6	151.8	8.1	145.1	7.8
	67	61	192.1	9.4	181.9	8.9	172.2	8.4	162.0	8.0	151.8	7.5	145.1	7.2
	72	66	192.1	8.6	181.9	8.1	172.2	7.7	162.0	7.3	151.8	6.9	145.1	6.6
75	69	192.1	8.1	181.9	7.7	172.2	7.3	162.0	6.9	151.8	6.5	145.1	6.3	
80	74	192.1	7.4	181.9	7.0	172.2	6.7	162.0	6.2	151.8	5.9	145.1	5.6	

NOTE - Power Input = Compressor + Outdoor Fan Motor.
 MBH = 1000 BTUs per hour.

HEATING CAPACITY - TWO MODULE | VPB144L4

Combination (%)	Outdoor Temperature (°F)		Indoor Temperature - °F Dry Bulb											
			61		64		67		70		73		75	
	Dry Bulb	Wet Bulb	Total Cap. MBH	Power Input kW	Total Cap. MBH	Power Input kW	Total Cap. MBH	Power Input kW	Total Cap. MBH	Power Input kW	Total Cap. MBH	Power Input kW	Total Cap. MBH	Power Input kW
90%	-22	-23	100.2	20.2	98.6	20.5	97.1	20.8	95.7	21.2	94.3	21.5	93.6	21.8
	-17	-18	121.5	21.1	119.2	21.5	117.3	21.9	115.4	22.3	113.7	22.7	112.8	23.0
	-13	-14	141.6	22.0	139.0	22.4	136.9	22.8	135.0	23.3	133.4	23.8	130.6	23.4
	-8	-9	151.7	22.5	149.4	22.9	147.5	23.4	145.8	23.5	136.6	21.9	130.6	20.8
	-3	-4	157.5	22.8	155.5	23.3	155.0	23.7	145.8	21.9	136.6	20.0	130.6	18.8
	2	1	162.8	23.7	163.7	24.5	155.0	22.7	145.8	20.6	136.6	18.6	130.6	17.2
	7	6	172.9	24.9	163.7	22.9	155.0	20.9	145.8	18.8	136.6	16.6	130.6	15.2
	12	10	172.9	23.2	163.7	21.1	155.0	19.1	145.8	17.0	136.6	14.9	130.6	13.8
	17	15	172.9	20.7	163.7	18.6	155.0	16.7	145.8	14.7	136.6	13.5	130.6	12.8
	22	20	172.9	18.1	163.7	16.2	155.0	14.6	145.8	13.5	136.6	12.5	130.6	11.8
	27	24	172.9	16.1	163.7	14.6	155.0	13.7	145.8	12.7	136.6	11.7	130.6	11.1
	32	29	172.9	14.5	163.7	13.5	155.0	12.6	145.8	11.7	136.6	10.8	130.6	10.2
	37	34	172.9	13.3	163.7	12.4	155.0	11.6	145.8	10.7	136.6	9.9	130.6	9.5
	42	38	172.9	12.4	163.7	11.6	155.0	10.8	145.8	10.0	136.6	9.4	130.6	9.0
	47	43	172.9	11.3	163.7	10.6	155.0	9.9	145.8	9.3	136.6	8.8	130.6	8.5
	52	47	172.9	10.5	163.7	9.8	155.0	9.4	145.8	8.8	136.6	8.3	130.6	8.0
	57	52	172.9	9.6	163.7	9.1	155.0	8.7	145.8	8.2	136.6	7.8	130.6	7.5
	62	56	172.9	9.0	163.7	8.6	155.0	8.2	145.8	7.7	136.6	7.3	130.6	7.0
	67	61	172.9	8.3	163.7	7.9	155.0	7.5	145.8	7.1	136.6	6.8	130.6	6.5
	72	66	172.9	7.6	163.7	7.3	155.0	6.9	145.8	6.6	136.6	6.2	130.6	6.0
75	69	172.9	7.2	163.7	6.9	155.0	6.5	145.8	6.2	136.6	5.9	130.6	5.7	
80	74	172.9	6.5	163.7	6.2	155.0	5.9	145.8	5.5	136.6	5.2	130.6	5.1	
80%	-22	-23	98.1	20.6	96.6	20.9	95.3	21.2	94.0	21.6	92.8	21.9	92.1	22.2
	-17	-18	118.3	21.6	116.3	22.0	114.6	22.4	113.0	22.8	111.7	23.2	110.9	23.5
	-13	-14	137.6	22.6	135.5	23.1	133.9	23.5	129.6	23.0	121.4	21.6	116.1	20.7
	-8	-9	147.8	23.2	145.5	23.2	137.8	21.9	129.6	20.4	121.4	18.8	116.1	17.8
	-3	-4	153.7	23.1	145.5	21.5	137.8	20.0	129.6	18.4	121.4	16.6	116.1	15.5
	2	1	153.7	22.1	145.5	20.3	137.8	18.6	129.6	16.8	121.4	14.9	116.1	13.7
	7	6	153.7	20.3	145.5	18.5	137.8	16.7	129.6	14.8	121.4	13.3	116.1	12.6
	12	10	153.7	18.6	145.5	16.7	137.8	15.0	129.6	13.5	121.4	12.5	116.1	11.8
	17	15	153.7	16.2	145.5	14.5	137.8	13.5	129.6	12.5	121.4	11.6	116.1	10.9
	22	20	153.7	14.2	145.5	13.3	137.8	12.5	129.6	11.6	121.4	10.7	116.1	10.1
	27	24	153.7	13.3	145.5	12.5	137.8	11.7	129.6	10.8	121.4	10.0	116.1	9.5
	32	29	153.7	12.3	145.5	11.5	137.8	10.8	129.6	10.0	121.4	9.3	116.1	9.0
	37	34	153.7	11.3	145.5	10.6	137.8	9.9	129.6	9.3	121.4	8.8	116.1	8.5
	42	38	153.7	10.5	145.5	9.8	137.8	9.4	129.6	8.9	121.4	8.4	116.1	8.1
	47	43	153.7	9.6	145.5	9.2	137.8	8.8	129.6	8.3	121.4	7.9	116.1	7.6
	52	47	153.7	9.1	145.5	8.7	137.8	8.3	129.6	7.9	121.4	7.4	116.1	7.2
	57	52	153.7	8.5	145.5	8.1	137.8	7.7	129.6	7.3	121.4	6.9	116.1	6.7
	62	56	153.7	8.0	145.5	7.6	137.8	7.3	129.6	6.9	121.4	6.5	116.1	6.3
	67	61	153.7	7.3	145.5	7.0	137.8	6.7	129.6	6.4	121.4	6.0	116.1	5.8
	72	66	153.7	6.7	145.5	6.4	137.8	6.1	129.6	5.8	121.4	5.5	116.1	5.4
75	69	153.7	6.4	145.5	6.1	137.8	5.8	129.6	5.5	121.4	5.2	116.1	5.1	
80	74	153.7	5.7	145.5	5.4	137.8	5.2	129.6	4.9	121.4	4.7	116.1	4.6	

NOTE - Power Input = Compressor + Outdoor Fan Motor.
 MBH = 1000 BTUs per hour.

HEATING CAPACITY - TWO MODULE | VPB144L4

Combination (%)	Outdoor Temperature (°F)		Indoor Temperature - °F Dry Bulb											
			61		64		67		70		73		75	
	Dry Bulb	Wet Bulb	Total Cap. MBH	Power Input kW	Total Cap. MBH	Power Input kW	Total Cap. MBH	Power Input kW	Total Cap. MBH	Power Input kW	Total Cap. MBH	Power Input kW	Total Cap. MBH	Power Input kW
70%	-22	-23	95.8	21.0	94.5	21.3	93.3	21.7	92.2	22.0	91.2	22.4	90.5	22.7
	-17	-18	114.9	22.2	113.3	22.7	111.9	23.1	110.7	23.5	106.2	22.8	101.6	21.9
	-13	-14	134.5	23.5	127.3	22.4	120.6	21.2	113.4	20.0	106.2	18.6	101.6	17.7
	-8	-9	134.5	21.0	127.3	19.7	120.6	18.5	113.4	17.1	106.2	15.6	101.6	14.6
	-3	-4	134.5	19.1	127.3	17.7	120.6	16.3	113.4	14.7	106.2	13.2	101.6	12.4
	2	1	134.5	17.6	127.3	16.1	120.6	14.5	113.4	13.0	106.2	12.1	101.6	11.4
	7	6	134.5	15.7	127.3	14.1	120.6	13.0	113.4	12.1	106.2	11.2	101.6	10.6
	12	10	134.5	14.0	127.3	13.1	120.6	12.2	113.4	11.4	106.2	10.5	101.6	9.9
	17	15	134.5	12.9	127.3	12.1	120.6	11.3	113.4	10.5	106.2	9.7	101.6	9.2
	22	20	134.5	11.9	127.3	11.2	120.6	10.5	113.4	9.7	106.2	9.1	101.6	8.7
	27	24	134.5	11.2	127.3	10.4	120.6	9.8	113.4	9.2	106.2	8.7	101.6	8.4
	32	29	134.5	10.3	127.3	9.6	120.6	9.2	113.4	8.7	106.2	8.2	101.6	7.9
	37	34	134.5	9.5	127.3	9.0	120.6	8.6	113.4	8.2	106.2	7.8	101.6	7.5
	42	38	134.5	9.0	127.3	8.6	120.6	8.2	113.4	7.8	106.2	7.4	101.6	7.1
	47	43	134.5	8.4	127.3	8.0	120.6	7.7	113.4	7.3	106.2	6.9	101.6	6.7
	52	47	134.5	8.0	127.3	7.6	120.6	7.3	113.4	6.9	106.2	6.6	101.6	6.3
	57	52	134.5	7.4	127.3	7.1	120.6	6.8	113.4	6.4	106.2	6.1	101.6	5.9
	62	56	134.5	7.0	127.3	6.7	120.6	6.4	113.4	6.1	106.2	5.8	101.6	5.6
	67	61	134.5	6.4	127.3	6.1	120.6	5.9	113.4	5.6	106.2	5.3	101.6	5.3
	72	66	134.5	5.9	127.3	5.6	120.6	5.4	113.4	5.2	106.2	5.0	101.6	4.8
75	69	134.5	5.5	127.3	5.3	120.6	5.1	113.4	5.0	106.2	4.8	101.6	4.6	
80	74	134.5	4.9	127.3	4.7	120.6	4.6	113.4	4.5	106.2	4.2	101.6	4.1	
60%	-22	-23	93.3	21.6	92.2	22.0	91.2	22.3	90.3	22.7	91.1	23.5	87.1	22.8
	-17	-18	111.5	23.1	109.1	23.0	103.3	21.9	97.2	20.7	91.1	19.5	87.1	18.6
	-13	-14	115.3	20.0	109.1	18.9	103.3	17.8	97.2	16.6	91.1	15.4	87.1	14.5
	-8	-9	115.3	17.1	109.1	15.9	103.3	14.8	97.2	13.5	91.1	12.5	87.1	11.8
	-3	-4	115.3	14.9	109.1	13.6	103.3	12.5	97.2	11.6	91.1	10.8	87.1	10.2
	2	1	115.3	13.1	109.1	12.3	103.3	11.5	97.2	10.7	91.1	9.9	87.1	9.4
	7	6	115.3	12.1	109.1	11.4	103.3	10.7	97.2	9.9	91.1	9.1	87.1	8.7
	12	10	115.3	11.4	109.1	10.7	103.3	10.0	97.2	9.3	91.1	8.7	87.1	8.4
	17	15	115.3	10.5	109.1	9.9	103.3	9.2	97.2	8.7	91.1	8.3	87.1	8.0
	22	20	115.3	9.7	109.1	9.1	103.3	8.7	97.2	8.3	91.1	7.9	87.1	7.6
	27	24	115.3	9.1	109.1	8.7	103.3	8.4	97.2	7.9	91.1	7.5	87.1	7.3
	32	29	115.3	8.7	109.1	8.3	103.3	7.9	97.2	7.5	91.1	7.1	87.1	6.9
	37	34	115.3	8.1	109.1	7.8	103.3	7.5	97.2	7.1	91.1	6.7	87.1	6.5
	42	38	115.3	7.8	109.1	7.4	103.3	7.1	97.2	6.8	91.1	6.4	87.1	6.2
	47	43	115.3	7.3	109.1	6.9	103.3	6.6	97.2	6.3	91.1	6.0	87.1	5.8
	52	47	115.3	6.9	109.1	6.6	103.3	6.3	97.2	6.0	91.1	5.7	87.1	5.5
	57	52	115.3	6.4	109.1	6.1	103.3	5.9	97.2	5.6	91.1	5.4	87.1	5.2
	62	56	115.3	6.0	109.1	5.8	103.3	5.5	97.2	5.3	91.1	5.1	87.1	5.0
	67	61	115.3	5.5	109.1	5.3	103.3	5.2	97.2	5.0	91.1	4.8	87.1	4.6
	72	66	115.3	5.1	109.1	5.0	103.3	4.8	97.2	4.6	91.1	4.4	87.1	4.2
75	69	115.3	4.9	109.1	4.7	103.3	4.6	97.2	4.4	91.1	4.2	87.1	4.0	
80	74	115.3	4.4	109.1	4.2	103.3	4.0	97.2	3.8	91.1	3.6	87.1	3.5	

NOTE - Power Input = Compressor + Outdoor Fan Motor.
 MBH = 1000 BTUs per hour.

HEATING CAPACITY - TWO MODULE | VPB144L4

Combination (%)	Outdoor Temperature (°F)		Indoor Temperature - °F Dry Bulb											
			61		64		67		70		73		75	
	Dry Bulb	Wet Bulb	Total Cap. MBH	Power Input kW	Total Cap. MBH	Power Input kW	Total Cap. MBH	Power Input kW	Total Cap. MBH	Power Input kW	Total Cap. MBH	Power Input kW	Total Cap. MBH	Power Input kW
50%	-22	-23	90.6	22.5	90.9	23.2	86.1	22.3	81.0	21.3	75.9	20.2	72.6	19.4
	-17	-18	96.1	20.2	90.9	19.1	86.1	18.2	81.0	17.0	75.9	15.7	72.6	14.9
	-13	-14	96.1	16.1	90.9	15.1	86.1	14.1	81.0	13.1	75.9	12.1	72.6	11.5
	-8	-9	96.1	13.1	90.9	12.3	86.1	11.5	81.0	10.7	75.9	9.8	72.6	9.3
	-3	-4	96.1	11.3	90.9	10.6	86.1	9.9	81.0	9.2	75.9	8.5	72.6	8.1
	2	1	96.1	10.4	90.9	9.7	86.1	9.1	81.0	8.4	75.9	8.0	72.6	7.7
	7	6	96.1	9.6	90.9	9.0	86.1	8.5	81.0	8.1	75.9	7.6	72.6	7.4
	12	10	96.1	9.0	90.9	8.5	86.1	8.2	81.0	7.8	75.9	7.4	72.6	7.1
	17	15	96.1	8.5	90.9	8.1	86.1	7.8	81.0	7.4	75.9	7.0	72.6	6.8
	22	20	96.1	8.1	90.9	7.7	86.1	7.4	81.0	7.0	75.9	6.7	72.6	6.5
	27	24	96.1	7.7	90.9	7.4	86.1	7.1	81.0	6.7	75.9	6.4	72.6	6.2
	32	29	96.1	7.3	90.9	7.0	86.1	6.7	81.0	6.4	75.9	6.1	72.6	5.9
	37	34	96.1	6.9	90.9	6.6	86.1	6.3	81.0	6.0	75.9	5.8	72.6	5.6
	42	38	96.1	6.5	90.9	6.3	86.1	6.0	81.0	5.8	75.9	5.5	72.6	5.4
	47	43	96.1	6.1	90.9	5.9	86.1	5.7	81.0	5.4	75.9	5.2	72.6	5.1
	52	47	96.1	5.8	90.9	5.6	86.1	5.4	81.0	5.2	75.9	5.0	72.6	4.8
	57	52	96.1	5.4	90.9	5.3	86.1	5.1	81.0	4.9	75.9	4.7	72.6	4.5
62	56	96.1	5.2	90.9	5.0	86.1	4.8	81.0	4.6	75.9	4.4	72.6	4.3	
67	61	96.1	4.8	90.9	4.6	86.1	4.5	81.0	4.3	75.9	4.1	72.6	4.0	
72	66	96.1	4.4	90.9	4.3	86.1	4.1	81.0	3.9	75.9	3.8	72.6	3.7	
75	69	96.1	4.2	90.9	4.1	86.1	3.9	81.0	3.7	75.9	3.6	72.6	3.5	
80	74	96.1	3.7	90.9	3.5	86.1	3.4	81.0	3.2	75.9	3.1	72.6	3.0	

NOTE - Power Input = Compressor + Outdoor Fan Motor.
 MBH = 1000 BTUs per hour.

COOLING CAPACITY - TWO MODULE | VPB168L4

Combination (%)	Outdoor Temperature °F (Dry Bulb)	Indoor Temperature - °F (Dry Bulb / Wet Bulb)											
		67 / 57		71 / 60		75 / 63		80 / 67		85 / 71		90 / 75	
		Total Cap.	Power Input	Total Cap.	Power Input	Total Cap.	Power Input	Total Cap.	Power Input	Total Cap.	Power Input	Total Cap.	Power Input
		MBH	KW	MBH	KW	MBH	KW	MBH	KW	MBH	KW	MBH	KW
130%	-10	128.8	4.4	156.5	5.4	182.5	6.4	218.4	7.8	255.9	9.3	291.7	10.9
	-5	128.8	4.7	156.5	5.8	182.5	6.8	218.4	8.3	255.9	9.9	284.2	11.3
	10	128.8	4.8	156.5	5.9	182.5	7.0	218.4	8.5	255.9	10.1	281.5	11.4
	15	128.8	4.9	156.5	6.0	182.5	7.1	218.4	8.7	255.9	10.4	276.3	11.5
	20	128.8	5.0	156.5	6.1	182.5	7.3	218.4	8.8	255.9	10.6	270.8	11.5
	25	128.8	5.1	156.5	6.3	182.5	7.4	218.4	9.1	255.9	10.8	265.0	11.5
	30	128.8	5.2	156.5	6.4	182.5	7.6	218.4	9.3	252.2	10.9	259.3	11.5
	35	128.8	5.4	156.5	6.6	182.5	7.8	218.4	9.5	249.5	11.1	254.0	11.5
	40	128.8	5.5	156.5	6.8	182.5	8.0	218.4	9.7	248.1	11.3	250.8	11.7
	45	128.8	5.6	156.5	6.9	182.5	8.2	218.4	10.0	247.9	11.6	250.0	11.9
	50	128.8	5.8	156.5	7.1	182.5	8.4	218.4	10.2	246.3	11.8	249.6	12.2
	55	128.8	5.9	156.5	7.3	182.5	8.6	218.4	10.5	246.3	12.1	249.7	12.5
	60	128.8	6.1	156.5	7.5	182.5	8.8	218.4	10.8	247.3	12.5	249.9	12.9
	65	128.8	6.3	156.5	7.7	182.5	9.1	218.4	11.1	245.6	12.7	250.3	13.3
	70	128.8	6.8	156.5	8.4	182.5	9.9	218.4	12.0	245.8	13.9	250.6	14.5
	75	128.8	7.5	156.5	9.2	182.5	10.8	218.4	13.2	245.7	15.2	250.4	15.9
	80	128.8	8.2	156.5	10.1	182.5	11.9	218.4	14.5	244.7	16.6	249.4	17.4
	85	128.8	9.0	156.5	11.1	182.5	13.1	218.4	15.9	242.6	18.1	247.2	18.9
	90	128.8	9.9	156.5	12.1	182.5	14.3	218.4	17.5	238.8	19.5	243.4	20.4
	95	128.8	10.8	156.5	13.2	182.5	15.6	214.0	18.7	220.5	19.7	223.9	20.4
	100	128.8	11.7	156.5	14.4	182.5	17.0	208.6	19.8	211.4	20.5	215.5	21.4
105	128.8	12.6	156.5	15.5	182.5	18.4	194.3	19.9	200.0	20.9	203.9	21.8	
110	128.8	13.5	156.5	16.6	172.6	18.6	179.4	19.6	184.7	20.7	188.3	21.6	
115	128.8	14.3	147.8	16.6	154.2	17.5	160.1	18.5	164.9	19.5	168.0	20.4	
118	125.3	14.3	135.8	15.7	140.5	16.4	145.9	17.4	150.2	18.3	153.1	19.1	
125	93.7	11.2	97.8	11.8	101.2	12.3	105.1	13.0	108.2	13.7	110.3	14.3	
120%	-10	118.9	4.0	144.4	4.9	168.5	5.8	201.6	7.1	236.2	8.5	269.3	9.9
	-5	118.9	4.3	144.4	5.2	168.5	6.2	201.6	7.5	236.2	9.0	269.3	10.5
	10	118.9	4.4	144.4	5.4	168.5	6.3	201.6	7.7	236.2	9.2	269.2	10.8
	15	118.9	4.4	144.4	5.5	168.5	6.5	201.6	7.9	236.2	9.4	266.2	10.9
	20	118.9	4.5	144.4	5.6	168.5	6.6	201.6	8.0	236.2	9.6	263.2	11.0
	25	118.9	4.7	144.4	5.7	168.5	6.7	201.6	8.2	236.2	9.9	260.2	11.1
	30	118.9	4.8	144.4	5.8	168.5	6.9	201.6	8.4	236.2	10.1	254.6	11.1
	35	118.9	4.9	144.4	6.0	168.5	7.1	201.6	8.6	236.2	10.3	249.3	11.2
	40	118.9	5.0	144.4	6.1	168.5	7.2	201.6	8.8	236.2	10.6	246.1	11.3
	45	118.9	5.1	144.4	6.3	168.5	7.4	201.6	9.1	236.2	10.8	245.3	11.5
	50	118.9	5.2	144.4	6.5	168.5	7.6	201.6	9.3	236.2	11.1	244.9	11.8
	55	118.9	5.4	144.4	6.6	168.5	7.8	201.6	9.5	236.2	11.4	244.9	12.1
	60	118.9	5.5	144.4	6.8	168.5	8.0	201.6	9.8	236.2	11.7	245.2	12.5
	65	118.9	5.7	144.4	7.0	168.5	8.3	201.6	10.1	236.2	12.1	245.6	12.8
	70	118.9	6.2	144.4	7.6	168.5	9.0	201.6	10.9	236.2	13.1	245.8	14.0
	75	118.9	6.8	144.4	8.3	168.5	9.9	201.6	12.0	236.2	14.4	245.7	15.3
	80	118.9	7.5	144.4	9.2	168.5	10.8	201.6	13.2	235.7	15.8	244.7	16.8
	85	118.9	8.2	144.4	10.1	168.5	11.9	201.6	14.5	234.2	17.2	242.6	18.2
	90	118.9	9.0	144.4	11.0	168.5	13.0	201.6	15.9	231.8	18.6	238.8	19.7
	95	118.9	9.8	144.4	12.0	168.5	14.2	201.6	17.3	220.5	19.4	223.9	20.1
	100	118.9	10.6	144.4	13.1	168.5	15.5	201.6	18.8	211.4	20.2	215.5	21.1
105	118.9	11.5	144.4	14.1	168.5	16.7	193.2	19.5	200.0	20.6	203.9	21.5	
110	118.9	12.3	144.4	15.1	166.6	17.6	179.4	19.3	184.7	20.4	188.3	21.3	
115	118.9	13.0	142.7	15.8	154.2	17.3	160.1	18.3	164.9	19.2	168.0	20.1	
118	118.9	13.4	135.1	15.4	140.5	16.2	145.9	17.1	150.2	18.0	153.1	18.8	
125	93.7	11.0	97.8	11.6	101.2	12.1	105.1	12.8	108.2	13.5	110.3	14.1	

NOTE - Power Input = Compressor + Outdoor Fan Motor.
MBH = 1000 BTUs per hour.

COOLING CAPACITY - TWO MODULE | VPB168L4

Combination (%)	Outdoor Temperature °F (Dry Bulb)	Indoor Temperature - °F (Dry Bulb / Wet Bulb)											
		67 / 57		71 / 60		75 / 63		80 / 67		85 / 71		90 / 75	
		Total Cap.	Power Input	Total Cap.	Power Input	Total Cap.	Power Input	Total Cap.	Power Input	Total Cap.	Power Input	Total Cap.	Power Input
		MBH	kW	MBH	kW	MBH	kW	MBH	kW	MBH	kW	MBH	kW
110%	-10	108.9	3.6	132.4	4.4	154.5	5.3	184.8	6.4	216.5	7.7	246.9	9.0
	-5	108.9	3.8	132.4	4.7	154.5	5.6	184.8	6.8	216.5	8.2	246.9	9.5
	10	108.9	3.9	132.4	4.8	154.5	5.7	184.8	7.0	216.5	8.3	246.9	9.7
	15	108.9	4.0	132.4	4.9	154.5	5.8	184.8	7.1	216.5	8.5	246.9	9.9
	20	108.9	4.1	132.4	5.0	154.5	6.0	184.8	7.3	216.5	8.7	246.9	10.2
	25	108.9	4.2	132.4	5.2	154.5	6.1	184.8	7.4	216.5	8.9	246.9	10.4
	30	108.9	4.3	132.4	5.3	154.5	6.2	184.8	7.6	216.5	9.1	245.1	10.6
	35	108.9	4.4	132.4	5.4	154.5	6.4	184.8	7.8	216.5	9.3	242.4	10.7
	40	108.9	4.5	132.4	5.5	154.5	6.5	184.8	8.0	216.5	9.5	240.8	10.9
	45	108.9	4.6	132.4	5.7	154.5	6.7	184.8	8.2	216.5	9.8	240.6	11.1
	50	108.9	4.7	132.4	5.8	154.5	6.9	184.8	8.4	216.5	10.0	240.2	11.4
	55	108.9	4.9	132.4	6.0	154.5	7.1	184.8	8.6	216.5	10.3	240.2	11.7
	60	108.9	5.0	132.4	6.1	154.5	7.3	184.8	8.8	216.5	10.6	240.5	12.0
	65	108.9	5.1	132.4	6.3	154.5	7.5	184.8	9.1	216.5	10.9	240.9	12.4
	70	108.9	5.6	132.4	6.9	154.5	8.1	184.8	9.9	216.5	11.8	241.1	13.5
	75	108.9	6.1	132.4	7.5	154.5	8.9	184.8	10.8	216.5	13.0	240.9	14.8
	80	108.9	6.7	132.4	8.3	154.5	9.8	184.8	11.9	216.5	14.3	240.0	16.2
	85	108.9	7.4	132.4	9.1	154.5	10.7	184.8	13.1	216.5	15.7	237.9	17.6
	90	108.9	8.1	132.4	9.9	154.5	11.7	184.8	14.3	216.5	17.2	234.2	19.0
	95	108.9	8.8	132.4	10.9	154.5	12.8	184.8	15.6	216.5	18.7	223.9	19.8
100	108.9	9.6	132.4	11.8	154.5	13.9	184.8	17.0	209.7	19.7	215.5	20.7	
105	108.9	10.4	132.4	12.8	154.5	15.1	184.8	18.4	200.0	20.3	203.9	21.2	
110	108.9	11.1	132.4	13.6	154.5	16.1	177.2	18.8	184.7	20.1	188.3	20.9	
115	108.9	11.7	132.4	14.4	149.8	16.5	160.1	18.0	164.9	18.9	168.0	19.8	
118	108.9	12.1	129.9	14.6	140.5	15.9	145.9	16.8	150.2	17.7	153.1	18.5	
125	93.7	10.8	97.8	11.4	101.2	12.0	105.1	12.7	108.2	13.3	110.3	13.9	
100%	-10	99.0	3.2	120.4	4.0	140.4	4.7	168.0	5.7	196.8	6.9	224.4	8.0
	-5	99.0	3.4	120.4	4.2	140.4	5.0	168.0	6.1	196.8	7.3	224.4	8.5
	10	99.0	3.5	120.4	4.3	140.4	5.1	168.0	6.2	196.8	7.5	224.4	8.7
	15	99.0	3.6	120.4	4.4	140.4	5.2	168.0	6.4	196.8	7.6	224.4	8.9
	20	99.0	3.7	120.4	4.5	140.4	5.3	168.0	6.5	196.8	7.8	224.4	9.1
	25	99.0	3.8	120.4	4.6	140.4	5.5	168.0	6.6	196.8	8.0	224.4	9.3
	30	99.0	3.8	120.4	4.7	140.4	5.6	168.0	6.8	196.8	8.2	224.4	9.5
	35	99.0	3.9	120.4	4.8	140.4	5.7	168.0	7.0	196.8	8.3	224.4	9.7
	40	99.0	4.0	120.4	5.0	140.4	5.9	168.0	7.1	196.8	8.6	224.4	10.0
	45	99.0	4.1	120.4	5.1	140.4	6.0	168.0	7.3	196.8	8.8	224.4	10.2
	50	99.0	4.2	120.4	5.2	140.4	6.2	168.0	7.5	196.8	9.0	224.4	10.5
	55	99.0	4.4	120.4	5.4	140.4	6.3	168.0	7.7	196.8	9.2	224.4	10.8
	60	99.0	4.5	120.4	5.5	140.4	6.5	168.0	7.9	196.8	9.5	224.4	11.1
	65	99.0	4.6	120.4	5.7	140.4	6.7	168.0	8.1	196.8	9.7	224.4	11.4
	70	99.0	5.0	120.4	6.1	140.4	7.3	168.0	8.8	196.8	10.6	224.4	12.4
	75	99.0	5.5	120.4	6.7	140.4	8.0	168.0	9.7	196.8	11.6	224.4	13.6
	80	99.0	6.0	120.4	7.4	140.4	8.7	168.0	10.7	196.8	12.8	224.4	14.9
	85	99.0	6.6	120.4	8.1	140.4	9.6	168.0	11.7	196.8	14.0	224.4	16.4
	90	99.0	7.2	120.4	8.9	140.4	10.5	168.0	12.8	196.8	15.4	224.1	17.9
	95	99.0	7.9	120.4	9.7	140.4	11.5	168.0	14.0	196.8	16.8	220.5	19.2
100	99.0	8.6	120.4	10.6	140.4	12.5	168.0	15.2	196.8	18.2	215.3	20.4	
105	99.0	9.3	120.4	11.4	140.4	13.5	168.0	16.4	194.4	19.4	203.9	20.9	
110	99.0	9.9	120.4	12.2	140.4	14.4	168.0	17.6	184.7	19.8	188.3	20.6	
115	99.0	10.5	120.4	12.9	140.4	15.3	158.8	17.6	164.9	18.6	168.0	19.5	
118	99.0	10.8	120.4	13.3	135.9	15.2	145.9	16.6	150.2	17.5	153.1	18.2	
125	91.8	10.4	97.8	11.2	101.2	11.8	105.1	12.5	108.2	13.1	110.3	13.7	

NOTE - Power Input = Compressor + Outdoor Fan Motor.
MBH = 1000 BTUs per hour.

COOLING CAPACITY - TWO MODULE | VPB168L4

Combination (%)	Outdoor Temperature °F (Dry Bulb)	Indoor Temperature - °F (Dry Bulb / Wet Bulb)											
		67 / 57		71 / 60		75 / 63		80 / 67		85 / 71		90 / 75	
		Total Cap.	Power Input	Total Cap.	Power Input	Total Cap.	Power Input	Total Cap.	Power Input	Total Cap.	Power Input	Total Cap.	Power Input
		MBH	KW	MBH	KW	MBH	KW	MBH	KW	MBH	KW	MBH	KW
90%	-10	89.1	2.9	108.3	3.5	126.4	4.2	151.2	5.1	177.2	6.1	202.0	7.1
	-5	89.1	3.1	108.3	3.8	126.4	4.4	151.2	5.4	177.2	6.5	202.0	7.6
	10	89.1	3.1	108.3	3.8	126.4	4.5	151.2	5.5	177.2	6.6	202.0	7.7
	15	89.1	3.2	108.3	3.9	126.4	4.6	151.2	5.6	177.2	6.8	202.0	7.9
	20	89.1	3.3	108.3	4.0	126.4	4.7	151.2	5.8	177.2	6.9	202.0	8.1
	25	89.1	3.3	108.3	4.1	126.4	4.8	151.2	5.9	177.2	7.1	202.0	8.2
	30	89.1	3.4	108.3	4.2	126.4	5.0	151.2	6.0	177.2	7.2	202.0	8.4
	35	89.1	3.5	108.3	4.3	126.4	5.1	151.2	6.2	177.2	7.4	202.0	8.6
	40	89.1	3.6	108.3	4.4	126.4	5.2	151.2	6.3	177.2	7.6	202.0	8.9
	45	89.1	3.7	108.3	4.5	126.4	5.3	151.2	6.5	177.2	7.8	202.0	9.1
	50	89.1	3.8	108.3	4.6	126.4	5.5	151.2	6.7	177.2	8.0	202.0	9.3
	55	89.1	3.9	108.3	4.7	126.4	5.6	151.2	6.8	177.2	8.2	202.0	9.6
	60	89.1	4.0	108.3	4.9	126.4	5.8	151.2	7.0	177.2	8.4	202.0	9.8
	65	89.1	4.1	108.3	5.0	126.4	5.9	151.2	7.2	177.2	8.6	202.0	10.1
	70	89.1	4.4	108.3	5.5	126.4	6.4	151.2	7.8	177.2	9.4	202.0	11.0
	75	89.1	4.9	108.3	6.0	126.4	7.1	151.2	8.6	177.2	10.3	202.0	12.0
	80	89.1	5.3	108.3	6.6	126.4	7.8	151.2	9.5	177.2	11.3	202.0	13.2
	85	89.1	5.9	108.3	7.2	126.4	8.5	151.2	10.4	177.2	12.4	202.0	14.5
	90	89.1	6.4	108.3	7.9	126.4	9.3	151.2	11.4	177.2	13.6	202.0	15.9
	95	89.1	7.0	108.3	8.6	126.4	10.2	151.2	12.4	177.2	14.9	202.0	17.4
100	89.1	7.6	108.3	9.4	126.4	11.1	151.2	13.5	177.2	16.2	202.0	18.9	
105	89.1	8.2	108.3	10.1	126.4	12.0	151.2	14.6	177.2	17.5	198.7	20.0	
110	89.1	8.8	108.3	10.8	126.4	12.8	151.2	15.6	176.9	18.7	188.3	20.3	
115	89.1	9.3	108.3	11.5	126.4	13.5	151.2	16.5	164.9	18.4	168.0	19.2	
118	89.1	9.6	108.3	11.8	126.4	13.9	143.4	16.1	150.2	17.2	153.1	18.0	
125	87.6	9.8	97.8	11.1	101.2	11.6	105.1	12.3	108.2	12.9	110.3	13.5	
80%	-10	79.2	2.5	96.3	3.1	112.3	3.7	134.4	4.5	157.5	5.3	179.5	6.2
	-5	79.2	2.7	96.3	3.3	112.3	3.9	134.4	4.7	157.5	5.7	179.5	6.6
	10	79.2	2.7	96.3	3.4	112.3	4.0	134.4	4.8	157.5	5.8	179.5	6.8
	15	79.2	2.8	96.3	3.4	112.3	4.1	134.4	4.9	157.5	5.9	179.5	6.9
	20	79.2	2.9	96.3	3.5	112.3	4.1	134.4	5.0	157.5	6.0	179.5	7.1
	25	79.2	2.9	96.3	3.6	112.3	4.2	134.4	5.2	157.5	6.2	179.5	7.2
	30	79.2	3.0	96.3	3.7	112.3	4.3	134.4	5.3	157.5	6.3	179.5	7.4
	35	79.2	3.1	96.3	3.8	112.3	4.4	134.4	5.4	157.5	6.5	179.5	7.6
	40	79.2	3.1	96.3	3.9	112.3	4.5	134.4	5.5	157.5	6.6	179.5	7.8
	45	79.2	3.2	96.3	3.9	112.3	4.7	134.4	5.7	157.5	6.8	179.5	7.9
	50	79.2	3.3	96.3	4.1	112.3	4.8	134.4	5.8	157.5	7.0	179.5	8.2
	55	79.2	3.4	96.3	4.2	112.3	4.9	134.4	6.0	157.5	7.2	179.5	8.4
	60	79.2	3.5	96.3	4.3	112.3	5.0	134.4	6.1	157.5	7.4	179.5	8.6
	65	79.2	3.6	96.3	4.4	112.3	5.2	134.4	6.3	157.5	7.6	179.5	8.8
	70	79.2	3.9	96.3	4.8	112.3	5.6	134.4	6.9	157.5	8.2	179.5	9.6
	75	79.2	4.3	96.3	5.2	112.3	6.2	134.4	7.5	157.5	9.0	179.5	10.6
	80	79.2	4.7	96.3	5.8	112.3	6.8	134.4	8.3	157.5	9.9	179.5	11.6
	85	79.2	5.1	96.3	6.3	112.3	7.5	134.4	9.1	157.5	10.9	179.5	12.7
	90	79.2	5.6	96.3	6.9	112.3	8.2	134.4	10.0	157.5	11.9	179.5	13.9
	95	79.2	6.1	96.3	7.6	112.3	8.9	134.4	10.9	157.5	13.0	179.5	15.2
100	79.2	6.7	96.3	8.2	112.3	9.7	134.4	11.8	157.5	14.2	179.5	16.5	
105	79.2	7.2	96.3	8.9	112.3	10.5	134.4	12.8	157.5	15.3	179.5	17.9	
110	79.2	7.7	96.3	9.5	112.3	11.2	134.4	13.7	157.5	16.4	179.5	19.1	
115	79.2	8.2	96.3	10.0	112.3	11.9	134.4	14.5	156.9	17.2	168.0	18.9	
118	79.2	8.4	96.3	10.3	112.3	12.2	134.4	14.9	148.4	16.8	153.1	17.7	
125	79.2	8.8	92.8	10.4	101.2	11.4	105.1	12.1	108.2	12.7	110.3	13.3	

NOTE - Power Input = Compressor + Outdoor Fan Motor.
MBH = 1000 BTUs per hour.

COOLING CAPACITY - TWO MODULE | VPB168L4

Combination (%)	Outdoor Temperature °F (Dry Bulb)	Indoor Temperature - °F (Dry Bulb / Wet Bulb)											
		67 / 57		71 / 60		75 / 63		80 / 67		85 / 71		90 / 75	
		Total Cap.	Power Input	Total Cap.	Power Input	Total Cap.	Power Input	Total Cap.	Power Input	Total Cap.	Power Input	Total Cap.	Power Input
		MBH	kW	MBH	kW	MBH	kW	MBH	kW	MBH	kW	MBH	kW
70%	-10	69.3	2.2	84.3	2.7	98.3	3.2	117.6	3.8	137.8	4.6	157.1	5.4
	-5	69.3	2.3	84.3	2.8	98.3	3.3	117.6	4.1	137.8	4.9	157.1	5.7
	10	69.3	2.4	84.3	2.9	98.3	3.4	117.6	4.2	137.8	5.0	157.1	5.8
	15	69.3	2.4	84.3	3.0	98.3	3.5	117.6	4.3	137.8	5.1	157.1	6.0
	20	69.3	2.5	84.3	3.0	98.3	3.6	117.6	4.4	137.8	5.2	157.1	6.1
	25	69.3	2.5	84.3	3.1	98.3	3.7	117.6	4.5	137.8	5.3	157.1	6.2
	30	69.3	2.6	84.3	3.2	98.3	3.7	117.6	4.6	137.8	5.5	157.1	6.4
	35	69.3	2.6	84.3	3.2	98.3	3.8	117.6	4.7	137.8	5.6	157.1	6.5
	40	69.3	2.7	84.3	3.3	98.3	3.9	117.6	4.8	137.8	5.7	157.1	6.7
	45	69.3	2.8	84.3	3.4	98.3	4.0	117.6	4.9	137.8	5.9	157.1	6.9
	50	69.3	2.8	84.3	3.5	98.3	4.1	117.6	5.0	137.8	6.0	157.1	7.0
	55	69.3	2.9	84.3	3.6	98.3	4.2	117.6	5.2	137.8	6.2	157.1	7.2
	60	69.3	3.0	84.3	3.7	98.3	4.3	117.6	5.3	137.8	6.4	157.1	7.4
	65	69.3	3.1	84.3	3.8	98.3	4.5	117.6	5.4	137.8	6.5	157.1	7.6
	70	69.3	3.4	84.3	4.1	98.3	4.9	117.6	5.9	137.8	7.1	157.1	8.3
	75	69.3	3.7	84.3	4.5	98.3	5.3	117.6	6.5	137.8	7.8	157.1	9.1
	80	69.3	4.0	84.3	5.0	98.3	5.9	117.6	7.1	137.8	8.6	157.1	10.0
	85	69.3	4.4	84.3	5.4	98.3	6.4	117.6	7.8	137.8	9.4	157.1	11.0
	90	69.3	4.9	84.3	6.0	98.3	7.0	117.6	8.6	137.8	10.3	157.1	12.0
	95	69.3	5.3	84.3	6.5	98.3	7.7	117.6	9.4	137.8	11.2	157.1	13.1
100	69.3	5.8	84.3	7.1	98.3	8.4	117.6	10.2	137.8	12.2	157.1	14.3	
105	69.3	6.2	84.3	7.7	98.3	9.0	117.6	11.0	137.8	13.2	157.1	15.4	
110	69.3	6.7	84.3	8.2	98.3	9.7	117.6	11.8	137.8	14.1	157.1	16.5	
115	69.3	7.0	84.3	8.7	98.3	10.2	117.6	12.5	137.8	14.9	157.1	17.4	
118	69.3	7.2	84.3	8.9	98.3	10.5	117.6	12.8	137.8	15.4	149.8	17.1	
125	69.3	7.6	84.3	9.3	95.5	10.6	105.1	11.9	108.2	12.6	110.3	13.1	
60%	-10	59.4	1.8	72.2	2.3	84.3	2.7	100.8	3.2	118.1	3.9	134.7	4.5
	-5	59.4	1.9	72.2	2.4	84.3	2.8	100.8	3.4	118.1	4.1	134.7	4.8
	10	59.4	2.0	72.2	2.4	84.3	2.9	100.8	3.5	118.1	4.2	134.7	4.9
	15	59.4	2.0	72.2	2.5	84.3	3.0	100.8	3.6	118.1	4.3	134.7	5.0
	20	59.4	2.1	72.2	2.6	84.3	3.0	100.8	3.7	118.1	4.4	134.7	5.1
	25	59.4	2.1	72.2	2.6	84.3	3.1	100.8	3.8	118.1	4.5	134.7	5.3
	30	59.4	2.2	72.2	2.7	84.3	3.2	100.8	3.9	118.1	4.6	134.7	5.4
	35	59.4	2.2	72.2	2.7	84.3	3.2	100.8	3.9	118.1	4.7	134.7	5.5
	40	59.4	2.3	72.2	2.8	84.3	3.3	100.8	4.0	118.1	4.8	134.7	5.7
	45	59.4	2.3	72.2	2.9	84.3	3.4	100.8	4.1	118.1	5.0	134.7	5.8
	50	59.4	2.4	72.2	3.0	84.3	3.5	100.8	4.2	118.1	5.1	134.7	5.9
	55	59.4	2.5	72.2	3.0	84.3	3.6	100.8	4.4	118.1	5.2	134.7	6.1
	60	59.4	2.5	72.2	3.1	84.3	3.7	100.8	4.5	118.1	5.4	134.7	6.3
	65	59.4	2.6	72.2	3.2	84.3	3.8	100.8	4.6	118.1	5.5	134.7	6.4
	70	59.4	2.8	72.2	3.5	84.3	4.1	100.8	5.0	118.1	6.0	134.7	7.0
	75	59.4	3.1	72.2	3.8	84.3	4.5	100.8	5.5	118.1	6.6	134.7	7.7
	80	59.4	3.4	72.2	4.2	84.3	5.0	100.8	6.0	118.1	7.2	134.7	8.4
	85	59.4	3.7	72.2	4.6	84.3	5.4	100.8	6.6	118.1	7.9	134.7	9.3
	90	59.4	4.1	72.2	5.0	84.3	6.0	100.8	7.3	118.1	8.7	134.7	10.2
	95	59.4	4.5	72.2	5.5	84.3	6.5	100.8	7.9	118.1	9.5	134.7	11.1
100	59.4	4.9	72.2	6.0	84.3	7.1	100.8	8.6	118.1	10.3	134.7	12.1	
105	59.4	5.3	72.2	6.5	84.3	7.6	100.8	9.3	118.1	11.1	134.7	13.0	
110	59.4	5.6	72.2	6.9	84.3	8.2	100.8	10.0	118.1	11.9	134.7	13.9	
115	59.4	6.0	72.2	7.3	84.3	8.6	100.8	10.5	118.1	12.6	134.7	14.7	
118	59.4	6.1	72.2	7.5	84.3	8.9	100.8	10.8	118.1	13.0	134.7	15.1	
125	59.4	6.4	72.2	7.8	84.3	9.3	98.6	11.0	107.7	12.3	110.3	12.9	

NOTE - Power Input = Compressor + Outdoor Fan Motor.
 MBH = 1000 BTUs per hour.

COOLING CAPACITY - TWO MODULE | VPB168L4

Combination (%)	Outdoor Temperature °F (Dry Bulb)	Indoor Temperature - °F (Dry Bulb / Wet Bulb)											
		67 / 57		71 / 60		75 / 63		80 / 67		85 / 71		90 / 75	
		Total Cap.	Power Input	Total Cap.	Power Input	Total Cap.	Power Input	Total Cap.	Power Input	Total Cap.	Power Input	Total Cap.	Power Input
		MBH	kW	MBH	kW	MBH	kW	MBH	kW	MBH	kW	MBH	kW
50%	-10	48.5	1.5	60.2	1.9	70.2	2.2	84.0	2.7	98.4	3.2	112.2	3.7
	-5	49.5	1.6	60.2	2.0	70.2	2.3	84.0	2.8	98.4	3.4	112.2	4.0
	10	49.5	1.6	60.2	2.0	70.2	2.4	84.0	2.9	98.4	3.5	112.2	4.0
	15	49.5	1.7	60.2	2.1	70.2	2.4	84.0	3.0	98.4	3.5	112.2	4.1
	20	49.5	1.7	60.2	2.1	70.2	2.5	84.0	3.0	98.4	3.6	112.2	4.2
	25	49.5	1.7	60.2	2.1	70.2	2.5	84.0	3.1	98.4	3.7	112.2	4.3
	30	49.5	1.8	60.2	2.2	70.2	2.6	84.0	3.2	98.4	3.8	112.2	4.4
	35	49.5	1.8	60.2	2.3	70.2	2.7	84.0	3.2	98.4	3.9	112.2	4.5
	40	49.5	1.9	60.2	2.3	70.2	2.7	84.0	3.3	98.4	4.0	112.2	4.6
	45	49.5	1.9	60.2	2.4	70.2	2.8	84.0	3.4	98.4	4.1	112.2	4.8
	50	49.5	2.0	60.2	2.4	70.2	2.9	84.0	3.5	98.4	4.2	112.2	4.9
	55	49.5	2.0	60.2	2.5	70.2	2.9	84.0	3.6	98.4	4.3	112.2	5.0
	60	49.5	2.1	60.2	2.6	70.2	3.0	84.0	3.7	98.4	4.4	112.2	5.1
	65	49.5	2.1	60.2	2.6	70.2	3.1	84.0	3.8	98.4	4.5	112.2	5.3
	70	49.5	2.3	60.2	2.9	70.2	3.4	84.0	4.1	98.4	4.9	112.2	5.8
	75	49.5	2.6	60.2	3.1	70.2	3.7	84.0	4.5	98.4	5.4	112.2	6.3
	80	49.5	2.8	60.2	3.4	70.2	4.1	84.0	5.0	98.4	5.9	112.2	6.9
	85	49.5	3.1	60.2	3.8	70.2	4.5	84.0	5.4	98.4	6.5	112.2	7.6
	90	49.5	3.4	60.2	4.1	70.2	4.9	84.0	6.0	98.4	7.1	112.2	8.3
	95	49.5	3.7	60.2	4.5	70.2	5.3	84.0	6.5	98.4	7.8	112.2	9.1
100	49.5	4.0	60.2	4.9	70.2	5.8	84.0	7.1	98.4	8.5	112.2	9.9	
105	49.5	4.3	60.2	5.3	70.2	6.3	84.0	7.6	98.4	9.2	112.2	10.7	
110	49.5	4.6	60.2	5.7	70.2	6.7	84.0	8.2	98.4	9.8	112.2	11.4	
115	49.5	4.9	60.2	6.0	70.2	7.1	84.0	8.7	98.4	10.4	112.2	12.1	
118	49.5	5.0	60.2	6.2	70.2	7.3	84.0	8.9	98.4	10.7	112.2	12.4	
125	49.5	5.2	60.2	6.5	70.2	7.6	84.0	9.3	98.4	11.1	106.2	12.3	

NOTE - Power Input = Compressor + Outdoor Fan Motor.
 MBH = 1000 BTUs per hour.

HEATING CAPACITY - TWO MODULE | VPB168L4

Combination (%)	Outdoor Temperature (°F)		Indoor Temperature - °F Dry Bulb											
			61		64		67		70		73		75	
	Dry Bulb	Wet Bulb	Total Cap. MBH	Power Input kW	Total Cap. MBH	Power Input kW	Total Cap. MBH	Power Input kW	Total Cap. MBH	Power Input kW	Total Cap. MBH	Power Input kW	Total Cap. MBH	Power Input kW
130%	-22	-23	125.4	21.7	122.7	22.2	120.4	22.7	118.1	23.3	116.0	23.9	114.7	24.2
	-17	-18	153.4	22.5	150.2	23.1	147.3	23.6	144.6	24.2	142.0	24.8	140.5	25.2
	-13	-14	179.0	23.0	175.2	23.6	172.0	24.1	168.8	24.7	166.0	25.3	164.3	25.7
	-8	-9	188.8	23.4	185.3	24.0	182.4	24.5	179.5	25.2	176.9	25.8	175.4	26.2
	-3	-4	195.9	23.7	192.9	24.3	190.3	24.9	187.8	25.6	185.6	26.3	184.3	26.7
	2	1	202.0	24.8	199.3	25.4	196.9	26.0	194.7	26.7	192.7	27.4	191.5	27.9
	7	6	209.8	25.0	207.3	25.7	205.2	26.3	203.1	27.0	201.3	27.8	200.2	28.3
	12	10	217.5	25.3	215.1	26.0	213.2	26.6	211.2	27.4	209.5	28.1	208.5	28.6
	17	15	229.0	25.8	226.9	26.5	225.0	27.1	223.2	27.9	221.6	28.7	220.1	28.4
	22	20	241.8	26.3	239.8	27.0	238.0	27.7	236.3	28.5	230.2	27.3	220.1	25.5
	27	24	253.8	26.8	251.8	27.5	250.0	28.3	245.7	27.5	230.2	24.9	220.1	23.3
	32	29	268.9	27.5	266.9	28.3	261.2	27.1	245.7	24.7	230.2	22.3	220.1	20.8
	37	34	287.2	28.4	275.8	26.3	261.2	24.2	245.7	22.0	230.2	19.9	220.1	18.7
	42	38	291.4	26.2	275.8	24.1	261.2	22.1	245.7	20.1	230.2	18.4	220.1	17.3
	47	43	291.4	23.4	275.8	21.5	261.2	19.8	245.7	18.2	230.2	16.7	220.1	15.9
	52	47	291.4	21.5	275.8	19.8	261.2	18.3	245.7	16.9	230.2	15.6	220.1	14.8
	57	52	291.4	19.3	275.8	17.8	261.2	16.6	245.7	15.4	230.2	14.2	220.1	13.5
	62	56	291.4	17.8	275.8	16.5	261.2	15.4	245.7	14.3	230.2	13.2	220.1	12.5
	67	61	291.4	16.1	275.8	15.0	261.2	13.9	245.7	12.9	230.2	11.9	220.1	11.4
	72	66	291.4	14.5	275.8	13.5	261.2	12.6	245.7	11.7	230.2	10.9	220.1	10.4
75	69	291.4	13.6	275.8	12.7	261.2	11.8	245.7	11.0	230.2	10.3	220.1	9.8	
80	74	291.4	12.3	275.8	11.4	261.2	10.7	245.7	10.1	230.2	9.4	220.1	9.0	
120%	-22	-23	123.6	22.0	121.1	22.5	118.8	23.0	116.7	23.5	114.6	24.1	113.4	24.5
	-17	-18	150.8	22.8	147.7	23.4	145.1	23.9	142.5	24.5	140.1	25.1	138.7	25.5
	-13	-14	175.7	23.4	172.2	23.9	169.2	24.5	166.2	25.1	163.6	25.7	162.0	26.1
	-8	-9	185.5	23.8	182.3	24.4	179.6	25.0	177.0	25.6	174.6	26.2	173.3	26.7
	-3	-4	192.9	24.2	190.1	24.8	187.7	25.4	185.4	26.1	183.5	26.8	182.3	27.2
	2	1	199.1	25.3	196.6	25.9	194.5	26.5	192.4	27.2	190.7	28.0	189.6	28.5
	7	6	207.0	25.6	204.8	26.2	202.8	26.9	201.0	27.6	199.4	28.4	200.8	29.2
	12	10	214.8	25.9	212.7	26.6	210.9	27.2	209.2	28.0	210.0	29.1	203.2	27.7
	17	15	226.4	26.4	224.5	27.1	222.8	27.8	221.2	28.5	212.5	26.7	203.2	25.0
	22	20	239.2	27.0	237.3	27.7	235.7	28.4	226.8	26.5	212.5	24.0	203.2	22.5
	27	24	251.1	27.5	251.4	28.5	241.1	26.5	226.8	24.1	212.5	21.9	203.2	20.4
	32	29	269.0	28.1	254.6	25.7	241.1	23.7	226.8	21.6	212.5	19.5	203.2	18.4
	37	34	269.0	25.0	254.6	23.0	241.1	21.1	226.8	19.3	212.5	17.7	203.2	16.7
	42	38	269.0	22.8	254.6	21.0	241.1	19.4	226.8	17.8	212.5	16.5	203.2	15.7
	47	43	269.0	20.4	254.6	18.8	241.1	17.5	226.8	16.3	212.5	15.1	203.2	14.3
	52	47	269.0	18.7	254.6	17.4	241.1	16.3	226.8	15.2	212.5	14.0	203.2	13.3
	57	52	269.0	17.0	254.6	15.8	241.1	14.8	226.8	13.8	212.5	12.8	203.2	12.1
	62	56	269.0	15.7	254.6	14.7	241.1	13.7	226.8	12.8	212.5	11.9	203.2	11.3
	67	61	269.0	14.2	254.6	13.3	241.1	12.4	226.8	11.6	212.5	10.8	203.2	10.3
	72	66	269.0	12.8	254.6	12.0	241.1	11.3	226.8	10.6	212.5	9.9	203.2	9.5
75	69	269.0	12.0	254.6	11.3	241.1	10.6	226.8	10.0	212.5	9.3	203.2	9.0	
80	74	269.0	10.9	254.6	10.3	241.1	9.7	226.8	9.1	212.5	8.6	203.2	8.2	

NOTE - Power Input = Compressor + Outdoor Fan Motor.
 MBH = 1000 BTUs per hour.

HEATING CAPACITY - TWO MODULE | VPB168L4

Combination (%)	Outdoor Temperature (°F)		Indoor Temperature - °F Dry Bulb											
			61		64		67		70		73		75	
	Dry Bulb	Wet Bulb	Total Cap. MBH	Power Input kW	Total Cap. MBH	Power Input kW	Total Cap. MBH	Power Input kW	Total Cap. MBH	Power Input kW	Total Cap. MBH	Power Input kW	Total Cap. MBH	Power Input kW
110%	-22	-23	121.6	22.2	119.3	22.8	117.2	23.3	115.1	23.8	113.2	24.4	112.1	24.8
	-17	-18	148.0	23.2	145.2	23.7	142.7	24.3	140.3	24.9	138.1	25.5	136.7	25.9
	-13	-14	172.2	23.8	169.0	24.4	166.2	24.9	163.6	25.5	161.2	26.1	159.8	26.6
	-8	-9	182.1	24.3	179.2	24.9	176.8	25.5	174.4	26.1	172.4	26.8	171.2	27.2
	-3	-4	189.7	24.7	187.2	25.4	185.1	26.0	183.1	26.6	181.4	27.3	180.4	27.8
	2	1	196.1	25.8	193.9	26.5	192.0	27.2	190.2	27.9	188.7	28.7	186.3	28.3
	7	6	204.2	26.2	202.2	26.9	200.5	27.6	198.9	28.3	194.8	27.8	186.3	26.2
	12	10	212.1	26.6	210.2	27.3	208.6	28.0	207.9	28.4	194.8	25.9	186.3	24.4
	17	15	223.8	27.1	222.0	27.8	221.0	28.0	207.9	25.6	194.8	23.3	186.3	21.8
	22	20	236.6	27.8	233.4	27.3	221.0	25.2	207.9	23.0	194.8	20.9	186.3	19.5
	27	24	246.5	27.0	233.4	24.9	221.0	23.0	207.9	20.9	194.8	18.9	186.3	17.9
	32	29	246.5	24.2	233.4	22.3	221.0	20.5	207.9	18.7	194.8	17.3	186.3	16.4
	37	34	246.5	21.6	233.4	19.8	221.0	18.3	207.9	17.0	194.8	15.8	186.3	15.1
	42	38	246.5	19.7	233.4	18.2	221.0	17.0	207.9	15.9	194.8	14.8	186.3	14.1
	47	43	246.5	17.7	233.4	16.6	221.0	15.6	207.9	14.5	194.8	13.5	186.3	12.8
	52	47	246.5	16.4	233.4	15.4	221.0	14.5	207.9	13.5	194.8	12.5	186.3	12.0
	57	52	246.5	15.0	233.4	14.0	221.0	13.2	207.9	12.3	194.8	11.5	186.3	11.0
	62	56	246.5	13.9	233.4	13.0	221.0	12.2	207.9	11.4	194.8	10.7	186.3	10.3
	67	61	246.5	12.5	233.4	11.7	221.0	11.1	207.9	10.4	194.8	9.8	186.3	9.4
	72	66	246.5	11.3	233.4	10.7	221.0	10.1	207.9	9.5	194.8	8.9	186.3	8.6
75	69	246.5	10.7	233.4	10.1	221.0	9.5	207.9	9.0	194.8	8.5	186.3	8.1	
80	74	246.5	9.7	233.4	9.2	221.0	8.7	207.9	8.2	194.8	7.8	186.3	7.6	
100%	-22	-23	119.5	22.6	117.3	23.1	115.3	23.6	113.4	24.2	111.6	24.8	110.6	25.2
	-17	-18	145.1	23.6	142.5	24.2	140.2	24.7	138.0	25.3	136.0	26.0	134.8	26.4
	-13	-14	168.6	24.3	165.7	24.9	163.2	25.5	160.8	26.1	158.7	26.7	157.5	27.1
	-8	-9	178.6	24.9	176.0	25.5	173.9	26.1	171.9	26.7	170.1	27.4	169.3	27.6
	-3	-4	186.5	25.4	184.3	26.0	182.5	26.6	180.8	27.4	177.1	27.1	169.3	25.9
	2	1	193.1	26.6	191.2	27.2	189.6	27.9	189.0	28.5	177.1	26.3	169.3	25.0
	7	6	201.4	27.0	199.6	27.7	200.9	28.7	189.0	26.4	177.1	24.3	169.3	22.9
	12	10	209.3	27.4	209.8	28.3	200.9	26.7	189.0	24.6	177.1	22.5	169.3	21.1
	17	15	224.1	28.2	212.2	26.0	200.9	24.1	189.0	22.1	177.1	20.0	169.3	18.7
	22	20	224.1	25.3	212.2	23.4	200.9	21.6	189.0	19.7	177.1	18.0	169.3	17.1
	27	24	224.1	23.1	212.2	21.3	200.9	19.6	189.0	18.0	177.1	16.7	169.3	15.9
	32	29	224.1	20.6	212.2	19.0	200.9	17.7	189.0	16.4	177.1	15.4	169.3	14.7
	37	34	224.1	18.3	212.2	17.2	200.9	16.1	189.0	15.1	177.1	14.1	169.3	13.4
	42	38	224.1	17.0	212.2	16.0	200.9	15.1	189.0	14.1	177.1	13.1	169.3	12.5
	47	43	224.1	15.5	212.2	14.6	200.9	13.7	189.0	12.9	177.1	12.0	169.3	11.5
	52	47	224.1	14.4	212.2	13.6	200.9	12.8	189.0	12.0	177.1	11.3	169.3	10.8
	57	52	224.1	13.1	212.2	12.3	200.9	11.6	189.0	11.0	177.1	10.3	169.3	9.9
	62	56	224.1	12.1	212.2	11.4	200.9	10.8	189.0	10.2	177.1	9.6	169.3	9.2
	67	61	224.1	11.0	212.2	10.4	200.9	9.9	189.0	9.3	177.1	8.8	169.3	8.4
	72	66	224.1	10.0	212.2	9.5	200.9	9.0	189.0	8.5	177.1	8.0	169.3	7.8
75	69	224.1	9.4	212.2	9.0	200.9	8.5	189.0	8.1	177.1	7.7	169.3	7.5	
80	74	224.1	8.6	212.2	8.2	200.9	7.8	189.0	7.5	177.1	7.1	169.3	6.8	

NOTE - Power Input = Compressor + Outdoor Fan Motor.
 MBH = 1000 BTUs per hour.

HEATING CAPACITY - TWO MODULE | VPB168L4

Combination (%)	Outdoor Temperature (°F)		Indoor Temperature - °F Dry Bulb											
			61		64		67		70		73		75	
	Dry Bulb	Wet Bulb	Total Cap. MBH	Power Input kW	Total Cap. MBH	Power Input kW	Total Cap. MBH	Power Input kW	Total Cap. MBH	Power Input kW	Total Cap. MBH	Power Input kW	Total Cap. MBH	Power Input kW
90%	-22	-23	117.2	23.0	115.1	23.5	113.3	24.1	111.5	24.6	109.9	25.2	108.9	25.7
	-17	-18	142.1	24.2	139.7	24.7	137.6	25.3	135.6	25.9	133.8	26.5	132.7	27.0
	-13	-14	164.8	25.0	162.3	25.5	160.1	26.1	158.0	26.7	157.7	27.6	152.4	27.1
	-8	-9	175.0	25.6	172.8	26.2	171.0	26.9	170.1	27.4	159.4	25.9	152.4	24.9
	-3	-4	183.2	26.2	181.4	26.8	180.8	27.3	170.1	25.6	159.4	24.0	152.4	22.9
	2	1	190.1	27.5	191.0	28.4	180.8	26.6	170.1	24.8	159.4	23.0	152.4	21.8
	7	6	201.7	28.3	191.0	26.3	180.8	24.6	170.1	22.8	159.4	20.9	152.4	19.7
	12	10	201.7	26.3	191.0	24.5	180.8	22.8	170.1	20.9	159.4	19.1	152.4	18.0
	17	15	201.7	23.8	191.0	22.0	180.8	20.4	170.1	18.6	159.4	17.2	152.4	16.4
	22	20	201.7	21.3	191.0	19.6	180.8	18.2	170.1	16.9	159.4	15.8	152.4	15.1
	27	24	201.7	19.3	191.0	17.9	180.8	16.8	170.1	15.7	159.4	14.7	152.4	14.1
	32	29	201.7	17.4	191.0	16.3	180.8	15.4	170.1	14.5	159.4	13.6	152.4	13.0
	37	34	201.7	15.9	191.0	15.0	180.8	14.2	170.1	13.3	159.4	12.4	152.4	12.0
	42	38	201.7	14.8	191.0	14.0	180.8	13.2	170.1	12.4	159.4	11.7	152.4	11.2
	47	43	201.7	13.5	191.0	12.8	180.8	12.0	170.1	11.4	159.4	10.8	152.4	10.3
	52	47	201.7	12.6	191.0	11.8	180.8	11.3	170.1	10.7	159.4	10.1	152.4	9.7
	57	52	201.7	11.4	191.0	10.8	180.8	10.3	170.1	9.8	159.4	9.2	152.4	8.9
	62	56	201.7	10.6	191.0	10.1	180.8	9.6	170.1	9.1	159.4	8.6	152.4	8.3
	67	61	201.7	9.7	191.0	9.2	180.8	8.8	170.1	8.3	159.4	7.9	152.4	7.7
	72	66	201.7	8.8	191.0	8.4	180.8	8.0	170.1	7.7	159.4	7.3	152.4	7.0
75	69	201.7	8.3	191.0	7.9	180.8	7.6	170.1	7.3	159.4	6.9	152.4	6.7	
80	74	201.7	7.6	191.0	7.3	180.8	7.0	170.1	6.7	159.4	6.4	152.4	6.2	
80%	-22	-23	114.8	23.5	112.9	24.1	111.2	24.6	109.6	25.2	108.1	25.8	107.2	26.2
	-17	-18	138.8	24.8	136.7	25.4	134.9	26.0	133.1	26.6	131.5	27.3	130.6	27.7
	-13	-14	160.9	25.8	158.8	26.4	158.8	27.3	151.2	26.6	141.6	25.4	135.5	24.6
	-8	-9	171.4	26.5	169.7	26.8	160.8	25.6	151.2	24.4	141.6	23.0	135.5	22.1
	-3	-4	179.3	26.5	169.7	25.1	160.8	23.8	151.2	22.4	141.6	20.9	135.5	20.0
	2	1	179.3	25.8	169.7	24.3	160.8	22.8	151.2	21.3	141.6	19.7	135.5	18.6
	7	6	179.3	23.9	169.7	22.3	160.8	20.8	151.2	19.1	141.6	17.7	135.5	16.9
	12	10	179.3	22.1	169.7	20.5	160.8	19.0	151.2	17.6	141.6	16.4	135.5	15.7
	17	15	179.3	19.7	169.7	18.2	160.8	17.1	151.2	16.0	141.6	15.0	135.5	14.4
	22	20	179.3	17.6	169.7	16.6	160.8	15.6	151.2	14.7	141.6	13.8	135.5	13.2
	27	24	179.3	16.3	169.7	15.4	160.8	14.6	151.2	13.7	141.6	12.9	135.5	12.4
	32	29	179.3	15.0	169.7	14.2	160.8	13.4	151.2	12.6	141.6	11.9	135.5	11.5
	37	34	179.3	13.7	169.7	13.0	160.8	12.3	151.2	11.7	141.6	11.0	135.5	10.6
	42	38	179.3	12.8	169.7	12.1	160.8	11.5	151.2	10.9	141.6	10.4	135.5	10.0
	47	43	179.3	11.7	169.7	11.1	160.8	10.6	151.2	10.1	141.6	9.5	135.5	9.2
	52	47	179.3	10.9	169.7	10.4	160.8	9.9	151.2	9.4	141.6	8.9	135.5	8.6
	57	52	179.3	10.0	169.7	9.5	160.8	9.1	151.2	8.6	141.6	8.2	135.5	8.0
	62	56	179.3	9.3	169.7	8.8	160.8	8.4	151.2	8.0	141.6	7.7	135.5	7.4
	67	61	179.3	8.5	169.7	8.1	160.8	7.8	151.2	7.5	141.6	7.1	135.5	6.8
	72	66	179.3	7.7	169.7	7.5	160.8	7.2	151.2	6.8	141.6	6.5	135.5	6.3
75	69	179.3	7.4	169.7	7.1	160.8	6.8	151.2	6.5	141.6	6.2	135.5	6.0	
80	74	179.3	6.8	169.7	6.5	160.8	6.2	151.2	6.0	141.6	5.7	135.5	5.5	

NOTE - Power Input = Compressor + Outdoor Fan Motor.
 MBH = 1000 BTUs per hour.

HEATING CAPACITY - TWO MODULE | VPB168L4

Combination (%)	Outdoor Temperature (°F)		Indoor Temperature - °F Dry Bulb											
			61		64		67		70		73		75	
	Dry Bulb	Wet Bulb	Total Cap. MBH	Power Input kW	Total Cap. MBH	Power Input kW	Total Cap. MBH	Power Input kW	Total Cap. MBH	Power Input kW	Total Cap. MBH	Power Input kW	Total Cap. MBH	Power Input kW
70%	-22	-23	112.1	24.2	110.4	24.7	108.9	25.3	107.4	25.9	106.1	26.6	105.3	27.0
	-17	-18	135.3	25.7	133.5	26.3	132.0	26.9	130.9	27.6	123.9	26.9	118.5	26.1
	-13	-14	156.9	26.7	148.5	25.7	140.7	24.8	132.3	23.7	123.9	22.6	118.5	21.9
	-8	-9	156.9	24.6	148.5	23.5	140.7	22.5	132.3	21.3	123.9	20.1	118.5	19.3
	-3	-4	156.9	22.7	148.5	21.5	140.7	20.4	132.3	19.1	123.9	17.8	118.5	17.1
	2	1	156.9	21.7	148.5	20.4	140.7	19.1	132.3	17.8	123.9	16.7	118.5	16.1
	7	6	156.9	19.6	148.5	18.3	140.7	17.2	132.3	16.2	123.9	15.2	118.5	14.5
	12	10	156.9	17.9	148.5	16.9	140.7	16.0	132.3	15.0	123.9	14.1	118.5	13.5
	17	15	156.9	16.2	148.5	15.4	140.7	14.6	132.3	13.8	123.9	12.9	118.5	12.4
	22	20	156.9	14.9	148.5	14.1	140.7	13.4	132.3	12.7	123.9	12.0	118.5	11.6
	27	24	156.9	13.9	148.5	13.2	140.7	12.5	132.3	11.9	123.9	11.3	118.5	10.9
	32	29	156.9	12.8	148.5	12.1	140.7	11.6	132.3	11.0	123.9	10.5	118.5	10.1
	37	34	156.9	11.7	148.5	11.2	140.7	10.7	132.3	10.2	123.9	9.7	118.5	9.4
	42	38	156.9	11.0	148.5	10.5	140.7	10.1	132.3	9.6	123.9	9.1	118.5	8.8
	47	43	156.9	10.1	148.5	9.7	140.7	9.2	132.3	8.8	123.9	8.4	118.5	8.1
	52	47	156.9	9.4	148.5	9.0	140.7	8.6	132.3	8.2	123.9	7.9	118.5	7.6
	57	52	156.9	8.6	148.5	8.2	140.7	7.9	132.3	7.6	123.9	7.2	118.5	7.0
	62	56	156.9	8.0	148.5	7.8	140.7	7.5	132.3	7.1	123.9	6.7	118.5	6.5
	67	61	156.9	7.5	148.5	7.1	140.7	6.8	132.3	6.5	123.9	6.2	118.5	6.0
	72	66	156.9	6.8	148.5	6.5	140.7	6.3	132.3	6.0	123.9	5.8	118.5	5.6
75	69	156.9	6.5	148.5	6.2	140.7	6.0	132.3	5.8	123.9	5.5	118.5	5.4	
80	74	156.9	6.0	148.5	5.8	140.7	5.6	132.3	5.3	123.9	5.1	118.5	4.9	
60%	-22	-23	109.1	25.1	107.6	25.7	106.4	26.3	105.1	26.9	104.9	27.8	101.6	27.5
	-17	-18	132.6	27.0	127.3	26.7	120.6	25.9	113.4	24.9	106.2	23.9	101.6	23.2
	-13	-14	134.5	23.4	127.3	22.5	120.6	21.7	113.4	20.7	106.2	19.7	101.6	19.1
	-8	-9	134.5	21.0	127.3	20.1	120.6	19.1	113.4	18.1	106.2	17.2	101.6	16.6
	-3	-4	134.5	18.9	127.3	17.9	120.6	16.9	113.4	16.1	106.2	15.2	101.6	14.7
	2	1	134.5	17.6	127.3	16.7	120.6	15.9	113.4	15.0	106.2	14.1	101.6	13.4
	7	6	134.5	16.0	127.3	15.2	120.6	14.4	113.4	13.6	106.2	12.8	101.6	12.2
	12	10	134.5	14.8	127.3	14.1	120.6	13.4	113.4	12.6	106.2	12.0	101.6	11.6
	17	15	134.5	13.6	127.3	12.9	120.6	12.3	113.4	11.7	106.2	11.2	101.6	10.8
	22	20	134.5	12.5	127.3	11.9	120.6	11.4	113.4	10.9	106.2	10.4	101.6	10.1
	27	24	134.5	11.7	127.3	11.2	120.6	10.8	113.4	10.3	106.2	9.8	101.6	9.5
	32	29	134.5	10.8	127.3	10.4	120.6	10.0	113.4	9.6	106.2	9.1	101.6	8.8
	37	34	134.5	10.0	127.3	9.6	120.6	9.2	113.4	8.8	106.2	8.4	101.6	8.1
	42	38	134.5	9.4	127.3	9.0	120.6	8.6	113.4	8.3	106.2	8.0	101.6	7.7
	47	43	134.5	8.6	127.3	8.3	120.6	8.0	113.4	7.7	106.2	7.3	101.6	7.1
	52	47	134.5	8.0	127.3	7.8	120.6	7.5	113.4	7.2	106.2	6.8	101.6	6.6
	57	52	134.5	7.5	127.3	7.2	120.6	6.9	113.4	6.5	106.2	6.3	101.6	6.1
	62	56	134.5	6.9	127.3	6.7	120.6	6.4	113.4	6.1	106.2	5.9	101.6	5.7
	67	61	134.5	6.3	127.3	6.1	120.6	5.9	113.4	5.7	106.2	5.4	101.6	5.2
	72	66	134.5	5.8	127.3	5.7	120.6	5.5	113.4	5.3	106.2	5.0	101.6	4.9
75	69	134.5	5.6	127.3	5.4	120.6	5.2	113.4	5.0	106.2	4.8	101.6	4.7	
80	74	134.5	5.3	127.3	5.1	120.6	4.9	113.4	4.6	106.2	4.4	101.6	4.2	

NOTE - Power Input = Compressor + Outdoor Fan Motor.
 MBH = 1000 BTUs per hour.

HEATING CAPACITY - TWO MODULE | VPB168L4

Combination (%)	Outdoor Temperature (°F)		Indoor Temperature - °F Dry Bulb											
			61		64		67		70		73		75	
	Dry Bulb	Wet Bulb	Total Cap. MBH	Power Input kW	Total Cap. MBH	Power Input kW	Total Cap. MBH	Power Input kW	Total Cap. MBH	Power Input kW	Total Cap. MBH	Power Input kW	Total Cap. MBH	Power Input kW
50%	-22	-23	105.8	26.4	106.1	27.4	100.5	26.7	94.5	25.9	88.5	25.1	84.7	24.5
	-17	-18	112.1	24.0	106.1	23.2	100.5	22.5	94.5	21.6	88.5	20.7	84.7	20.1
	-13	-14	112.1	19.9	106.1	19.2	100.5	18.4	94.5	17.6	88.5	16.8	84.7	16.3
	-8	-9	112.1	17.4	106.1	16.7	100.5	16.0	94.5	15.3	88.5	14.5	84.7	13.6
	-3	-4	112.1	15.4	106.1	14.7	100.5	14.0	94.5	13.1	88.5	12.2	84.7	11.7
	2	1	112.1	14.3	106.1	13.6	100.5	12.9	94.5	12.1	88.5	11.5	84.7	11.1
	7	6	112.1	13.0	106.1	12.3	100.5	11.8	94.5	11.2	88.5	10.7	84.7	10.4
	12	10	112.1	12.1	106.1	11.6	100.5	11.1	94.5	10.6	88.5	10.2	84.7	9.9
	17	15	112.1	11.2	106.1	10.8	100.5	10.4	94.5	10.0	88.5	9.5	84.7	9.2
	22	20	112.1	10.4	106.1	10.1	100.5	9.7	94.5	9.3	88.5	8.9	84.7	8.7
	27	24	112.1	9.8	106.1	9.5	100.5	9.1	94.5	8.8	88.5	8.4	84.7	8.1
	32	29	112.1	9.1	106.1	8.8	100.5	8.5	94.5	8.1	88.5	7.8	84.7	7.6
	37	34	112.1	8.4	106.1	8.1	100.5	7.9	94.5	7.6	88.5	7.2	84.7	7.0
	42	38	112.1	7.9	106.1	7.7	100.5	7.4	94.5	7.1	88.5	6.8	84.7	6.6
	47	43	112.1	7.3	106.1	7.0	100.5	6.8	94.5	6.5	88.5	6.2	84.7	6.0
	52	47	112.1	6.8	106.1	6.6	100.5	6.3	94.5	6.1	88.5	5.8	84.7	5.6
	57	52	112.1	6.2	106.1	6.0	100.5	5.8	94.5	5.6	88.5	5.3	84.7	5.1
62	56	112.1	5.8	106.1	5.6	100.5	5.4	94.5	5.2	88.5	5.0	84.7	4.8	
67	61	112.1	5.4	106.1	5.2	100.5	5.0	94.5	4.8	88.5	4.6	84.7	4.5	
72	66	112.1	5.0	106.1	4.8	100.5	4.7	94.5	4.5	88.5	4.3	84.7	4.2	
75	69	112.1	4.8	106.1	4.6	100.5	4.5	94.5	4.3	88.5	4.2	84.7	4.1	
80	74	112.1	4.5	106.1	4.3	100.5	4.1	94.5	3.9	88.5	3.7	84.7	3.5	

NOTE - Power Input = Compressor + Outdoor Fan Motor.
 MBH = 1000 BTUs per hour.

COOLING CAPACITY - TWO MODULE | VPB192L4

Combination (%)	Outdoor Temperature °F (Dry Bulb)	Indoor Temperature - °F (Dry Bulb / Wet Bulb)											
		67 / 57		71 / 60		75 / 63		80 / 67		85 / 71		90 / 75	
		Total Cap.	Power Input	Total Cap.	Power Input	Total Cap.	Power Input	Total Cap.	Power Input	Total Cap.	Power Input	Total Cap.	Power Input
		MBH	KW	MBH	KW	MBH	KW	MBH	KW	MBH	KW	MBH	KW
130%	-10	147.2	5.2	178.8	6.4	208.6	7.6	249.6	9.3	292.4	11.1	326.0	12.7
	-5	147.2	5.6	178.8	6.9	208.6	8.1	249.6	9.9	292.4	11.8	315.4	13.0
	10	147.2	5.7	178.8	7.0	208.6	8.3	249.6	10.1	292.4	12.1	311.7	13.1
	15	147.2	5.8	178.8	7.2	208.6	8.4	249.6	10.3	289.8	12.2	305.4	13.1
	20	147.2	5.9	178.8	7.3	208.6	8.6	249.6	10.5	285.7	12.3	298.8	13.1
	25	147.2	6.1	178.8	7.5	208.6	8.8	249.6	10.8	281.4	12.4	291.7	13.1
	30	147.2	6.2	178.8	7.7	208.6	9.0	249.6	11.0	277.2	12.5	284.8	13.1
	35	147.2	6.4	178.8	7.8	208.6	9.3	249.6	11.3	273.3	12.6	278.2	13.1
	40	147.2	6.5	178.8	8.0	208.6	9.5	249.6	11.6	270.8	12.7	274.0	13.2
	45	147.2	6.7	178.8	8.2	208.6	9.7	249.6	11.8	269.7	13.0	272.4	13.5
	50	147.2	6.9	178.8	8.4	208.6	10.0	249.6	12.1	267.4	13.2	271.2	13.7
	55	147.2	7.0	178.8	8.7	208.6	10.2	249.6	12.5	266.6	13.5	270.4	14.1
	60	147.2	7.2	178.8	8.9	208.6	10.5	249.6	12.8	267.2	13.9	270.0	14.4
	65	147.2	7.4	178.8	9.1	208.6	10.8	249.6	13.2	264.6	14.2	269.6	14.8
	70	147.2	8.1	178.8	10.0	208.6	11.8	249.6	14.3	264.1	15.4	269.2	16.1
	75	147.2	8.9	178.8	10.9	208.6	12.9	246.6	15.5	263.2	16.8	268.3	17.6
	80	147.2	9.8	178.8	12.0	208.6	14.2	245.1	16.9	261.5	18.4	266.5	19.2
	85	147.2	10.7	178.8	13.2	208.6	15.5	242.8	18.4	258.6	19.9	263.5	20.8
	90	147.2	11.7	178.8	14.4	208.6	17.0	239.3	19.8	253.9	21.4	258.7	22.3
	95	147.2	12.8	178.8	15.7	208.6	18.6	226.6	20.4	233.5	21.5	237.3	22.4
100	147.2	13.9	178.8	17.1	202.4	19.6	220.1	21.5	223.5	22.3	227.8	23.3	
105	147.2	15.0	178.8	18.5	193.0	20.1	204.6	21.6	210.7	22.7	214.7	23.7	
110	147.2	16.1	167.5	18.4	181.0	20.0	188.1	21.2	193.7	22.3	197.4	23.3	
115	139.9	16.1	154.1	17.8	160.7	18.8	166.9	19.9	171.8	20.9	175.1	21.8	
118	130.1	15.3	140.8	16.7	145.7	17.5	151.3	18.5	155.8	19.5	158.8	20.3	
125	95.2	11.6	99.3	12.2	102.8	12.8	106.7	13.6	109.9	14.3	112.0	14.9	
120%	-10	135.8	4.8	165.1	5.9	192.6	6.9	230.4	8.4	269.9	10.1	307.8	11.8
	-5	135.8	5.1	165.1	6.2	192.6	7.4	230.4	9.0	269.9	10.7	302.6	12.3
	10	135.8	5.2	165.1	6.4	192.6	7.5	230.4	9.2	269.9	11.0	298.9	12.4
	15	135.8	5.3	165.1	6.5	192.6	7.7	230.4	9.4	269.9	11.2	294.8	12.5
	20	135.8	5.4	165.1	6.6	192.6	7.8	230.4	9.6	269.9	11.5	290.7	12.6
	25	135.8	5.5	165.1	6.8	192.6	8.0	230.4	9.8	269.9	11.7	286.4	12.7
	30	135.8	5.7	165.1	7.0	192.6	8.2	230.4	10.0	265.7	11.8	279.6	12.6
	35	135.8	5.8	165.1	7.1	192.6	8.4	230.4	10.2	261.8	11.9	273.1	12.6
	40	135.8	5.9	165.1	7.3	192.6	8.6	230.4	10.5	259.3	12.0	268.9	12.8
	45	135.8	6.1	165.1	7.5	192.6	8.8	230.4	10.8	258.2	12.3	267.2	13.0
	50	135.8	6.2	165.1	7.7	192.6	9.1	230.4	11.0	257.5	12.6	266.1	13.3
	55	135.8	6.4	165.1	7.9	192.6	9.3	230.4	11.3	256.9	12.9	265.3	13.6
	60	135.8	6.6	165.1	8.1	192.6	9.6	230.4	11.6	257.0	13.2	264.9	13.9
	65	135.8	6.8	165.1	8.3	192.6	9.8	230.4	12.0	255.3	13.5	264.5	14.3
	70	135.8	7.4	165.1	9.0	192.6	10.7	230.4	13.0	254.7	14.6	264.1	15.5
	75	135.8	8.1	165.1	9.9	192.6	11.7	230.4	14.3	253.7	16.0	263.2	17.0
	80	135.8	8.9	165.1	10.9	192.6	12.9	230.4	15.7	252.2	17.5	261.5	18.5
	85	135.8	9.7	165.1	12.0	192.6	14.1	230.4	17.2	249.9	19.0	258.5	20.1
	90	135.8	10.7	165.1	13.1	192.6	15.5	230.4	18.9	246.6	20.5	253.8	21.6
	95	135.8	11.6	165.1	14.3	192.6	16.9	219.4	19.5	233.5	21.1	237.3	22.0
100	135.8	12.7	165.1	15.6	192.6	18.4	212.9	20.6	223.5	22.0	227.8	23.0	
105	135.8	13.7	165.1	16.8	187.0	19.2	203.6	21.1	210.7	22.4	214.7	23.3	
110	135.8	14.6	162.3	17.7	175.0	19.1	188.1	20.9	193.7	22.0	197.4	22.9	
115	135.8	15.5	149.0	17.0	160.7	18.5	166.9	19.6	171.8	20.6	175.1	21.5	
118	125.8	14.6	140.1	16.4	145.7	17.2	151.3	18.2	155.8	19.2	158.8	20.0	
125	95.2	11.4	99.3	12.0	102.8	12.6	106.7	13.3	109.9	14.1	112.0	14.7	

NOTE - Power Input = Compressor + Outdoor Fan Motor.
 MBH = 1000 BTUs per hour.

COOLING CAPACITY - TWO MODULE | VPB192L4

Combination (%)	Outdoor Temperature °F (Dry Bulb)	Indoor Temperature - °F (Dry Bulb / Wet Bulb)											
		67 / 57		71 / 60		75 / 63		80 / 67		85 / 71		90 / 75	
		Total Cap.	Power Input	Total Cap.	Power Input	Total Cap.	Power Input	Total Cap.	Power Input	Total Cap.	Power Input	Total Cap.	Power Input
		MBH	kW	MBH	kW	MBH	kW	MBH	kW	MBH	kW	MBH	kW
110%	-10	124.5	4.3	151.3	5.3	176.5	6.2	211.2	7.6	247.5	9.1	282.1	10.6
	-5	124.5	4.6	151.3	5.6	176.5	6.6	211.2	8.1	247.5	9.7	282.1	11.3
	10	124.5	4.7	151.3	5.7	176.5	6.8	211.2	8.3	247.5	9.9	282.1	11.6
	15	124.5	4.8	151.3	5.9	176.5	6.9	211.2	8.4	247.5	10.1	282.0	11.8
	20	124.5	4.9	151.3	6.0	176.5	7.1	211.2	8.6	247.5	10.3	278.0	11.9
	25	124.5	5.0	151.3	6.1	176.5	7.2	211.2	8.8	247.5	10.6	273.7	12.0
	30	124.5	5.1	151.3	6.3	176.5	7.4	211.2	9.0	247.5	10.8	269.6	12.0
	35	124.5	5.2	151.3	6.4	176.5	7.6	211.2	9.3	247.5	11.1	265.7	12.1
	40	124.5	5.4	151.3	6.6	176.5	7.8	211.2	9.5	247.5	11.4	263.1	12.3
	45	124.5	5.5	151.3	6.8	176.5	8.0	211.2	9.7	247.5	11.6	262.1	12.6
	50	124.5	5.6	151.3	6.9	176.5	8.2	211.2	10.0	247.5	11.9	261.0	12.8
	55	124.5	5.8	151.3	7.1	176.5	8.4	211.2	10.2	247.5	12.3	260.2	13.1
	60	124.5	5.9	151.3	7.3	176.5	8.6	211.2	10.5	245.4	12.5	259.8	13.5
	65	124.5	6.1	151.3	7.5	176.5	8.9	211.2	10.8	243.9	12.7	259.5	13.8
	70	124.5	6.6	151.3	8.2	176.5	9.6	211.2	11.8	243.3	13.8	259.0	15.0
	75	124.5	7.3	151.3	9.0	176.5	10.6	211.2	12.9	242.4	15.1	258.1	16.4
	80	124.5	8.0	151.3	9.8	176.5	11.6	211.2	14.2	240.9	16.5	256.5	17.9
	85	124.5	8.8	151.3	10.8	176.5	12.7	211.2	15.5	238.6	17.9	253.6	19.4
	90	124.5	9.6	151.3	11.8	176.5	14.0	211.2	17.0	235.3	19.3	249.0	20.8
	95	124.5	10.5	151.3	12.9	176.5	15.3	211.2	18.6	228.1	20.4	237.3	21.7
100	124.5	11.4	151.3	14.0	176.5	16.6	207.7	19.9	221.7	21.5	227.8	22.6	
105	124.5	12.3	151.3	15.2	176.5	17.9	196.4	20.2	210.7	22.0	214.7	23.0	
110	124.5	13.2	151.3	16.2	169.0	18.3	186.0	20.3	193.7	21.6	197.4	22.6	
115	124.5	14.0	143.8	16.3	156.3	17.8	166.9	19.3	171.8	20.3	175.1	21.2	
118	121.6	14.0	134.9	15.6	145.7	17.0	151.3	17.9	155.8	18.9	158.8	19.7	
125	95.2	11.2	99.3	11.9	102.8	12.4	106.7	13.1	109.9	13.8	112.0	14.4	
100%	-10	113.2	3.9	137.6	4.7	160.5	5.6	192.0	6.8	225.0	8.2	256.5	9.5
	-5	113.2	4.1	137.6	5.0	160.5	5.9	192.0	7.2	225.0	8.7	256.5	10.1
	10	113.2	4.2	137.6	5.1	160.5	6.1	192.0	7.4	225.0	8.9	256.5	10.4
	15	113.2	4.3	137.6	5.3	160.5	6.2	192.0	7.6	225.0	9.1	256.5	10.6
	20	113.2	4.4	137.6	5.4	160.5	6.3	192.0	7.7	225.0	9.3	256.3	10.8
	25	113.2	4.5	137.6	5.5	160.5	6.5	192.0	7.9	225.0	9.5	254.7	11.0
	30	113.2	4.6	137.6	5.6	160.5	6.6	192.0	8.1	225.0	9.7	253.1	11.2
	35	113.2	4.7	137.6	5.8	160.5	6.8	192.0	8.3	225.0	9.9	251.6	11.4
	40	113.2	4.8	137.6	5.9	160.5	7.0	192.0	8.5	225.0	10.2	250.4	11.6
	45	113.2	4.9	137.6	6.0	160.5	7.1	192.0	8.7	225.0	10.4	249.5	11.8
	50	113.2	5.0	137.6	6.2	160.5	7.3	192.0	8.9	225.0	10.7	248.7	12.1
	55	113.2	5.2	137.6	6.4	160.5	7.5	192.0	9.2	225.0	11.0	248.1	12.4
	60	113.2	5.3	137.6	6.5	160.5	7.7	192.0	9.4	225.0	11.3	247.7	12.7
	65	113.2	5.5	137.6	6.7	160.5	7.9	192.0	9.7	225.0	11.6	247.2	13.0
	70	113.2	5.9	137.6	7.3	160.5	8.6	192.0	10.5	225.0	12.6	246.6	14.1
	75	113.2	6.5	137.6	8.0	160.5	9.5	192.0	11.5	225.0	13.8	245.6	15.4
	80	113.2	7.2	137.6	8.8	160.5	10.4	192.0	12.7	225.0	15.2	244.2	16.8
	85	113.2	7.9	137.6	9.7	160.5	11.4	192.0	13.9	225.0	16.7	241.9	18.3
	90	113.2	8.6	137.6	10.6	160.5	12.5	192.0	15.2	224.1	18.2	238.6	19.7
	95	113.2	9.4	137.6	11.6	160.5	13.7	192.0	16.7	219.5	19.4	233.9	21.1
100	113.2	10.2	137.6	12.6	160.5	14.8	192.0	18.1	213.3	20.5	227.6	22.2	
105	113.2	11.0	137.6	13.6	160.5	16.0	189.2	19.2	205.0	21.2	214.7	22.6	
110	113.2	11.8	137.6	14.5	160.5	17.2	178.8	19.4	193.7	21.3	197.4	22.3	
115	113.2	12.5	137.6	15.4	150.3	16.9	165.6	18.8	171.8	20.0	175.1	20.9	
118	113.2	12.9	129.8	14.8	141.1	16.2	151.3	17.7	155.8	18.6	158.8	19.4	
125	93.3	10.9	99.3	11.7	102.8	12.2	106.7	12.9	109.9	13.6	112.0	14.2	

NOTE - Power Input = Compressor + Outdoor Fan Motor.
 MBH = 1000 BTUs per hour.

COOLING CAPACITY - TWO MODULE | VPB192L4

Combination (%)	Outdoor Temperature °F (Dry Bulb)	Indoor Temperature - °F (Dry Bulb / Wet Bulb)											
		67 / 57		71 / 60		75 / 63		80 / 67		85 / 71		90 / 75	
		Total Cap.	Power Input	Total Cap.	Power Input	Total Cap.	Power Input	Total Cap.	Power Input	Total Cap.	Power Input	Total Cap.	Power Input
		MBH	KW	MBH	KW	MBH	KW	MBH	KW	MBH	KW	MBH	KW
90%	-10	101.9	3.4	123.8	4.2	144.4	5.0	172.8	6.0	202.5	7.2	230.8	8.5
	-5	101.9	3.6	123.8	4.5	144.4	5.3	172.8	6.4	202.5	7.7	230.8	9.0
	10	101.9	3.7	123.8	4.6	144.4	5.4	172.8	6.6	202.5	7.9	230.8	9.2
	15	101.9	3.8	123.8	4.7	144.4	5.5	172.8	6.7	202.5	8.0	230.8	9.4
	20	101.9	3.9	123.8	4.8	144.4	5.6	172.8	6.9	202.5	8.2	230.8	9.6
	25	101.9	4.0	123.8	4.9	144.4	5.8	172.8	7.0	202.5	8.4	230.8	9.8
	30	101.9	4.1	123.8	5.0	144.4	5.9	172.8	7.2	202.5	8.6	230.8	10.0
	35	101.9	4.2	123.8	5.1	144.4	6.0	172.8	7.3	202.5	8.8	230.8	10.3
	40	101.9	4.3	123.8	5.2	144.4	6.2	172.8	7.5	202.5	9.0	230.8	10.5
	45	101.9	4.4	123.8	5.4	144.4	6.3	172.8	7.7	202.5	9.2	230.8	10.8
	50	101.9	4.5	123.8	5.5	144.4	6.5	172.8	7.9	202.5	9.5	230.8	11.1
	55	101.9	4.6	123.8	5.6	144.4	6.7	172.8	8.1	202.5	9.7	230.8	11.4
	60	101.9	4.7	123.8	5.8	144.4	6.8	172.8	8.3	202.5	10.0	230.8	11.7
	65	101.9	4.8	123.8	6.0	144.4	7.0	172.8	8.6	202.5	10.3	230.8	12.0
	70	101.9	5.3	123.8	6.5	144.4	7.7	172.8	9.3	202.5	11.2	230.8	13.1
	75	101.9	5.8	123.8	7.1	144.4	8.4	172.8	10.2	202.5	12.3	230.8	14.3
	80	101.9	6.4	123.8	7.8	144.4	9.2	172.8	11.2	202.5	13.5	230.8	15.7
	85	101.9	7.0	123.8	8.6	144.4	10.1	172.8	12.3	202.5	14.8	229.4	17.1
	90	101.9	7.6	123.8	9.4	144.4	11.1	172.8	13.5	202.5	16.2	226.1	18.5
	95	101.9	8.3	123.8	10.3	144.4	12.1	172.8	14.8	202.5	17.7	224.3	20.0
100	101.9	9.1	123.8	11.2	144.4	13.2	172.8	16.0	202.3	19.2	218.0	21.1	
105	101.9	9.8	123.8	12.0	144.4	14.2	172.8	17.3	196.6	20.1	209.5	21.8	
110	101.9	10.5	123.8	12.9	144.4	15.2	171.6	18.4	185.9	20.3	197.4	21.9	
115	101.9	11.1	123.8	13.6	144.3	16.1	158.4	17.9	171.8	19.7	175.1	20.5	
118	101.9	11.4	123.8	14.0	135.1	15.4	148.8	17.2	155.8	18.3	158.8	19.1	
125	89.0	10.3	99.3	11.5	102.8	12.1	106.7	12.8	109.9	13.4	112.0	14.0	
80%	-10	90.6	3.0	110.0	3.7	128.4	4.3	153.6	5.3	180.0	6.3	205.2	7.4
	-5	90.6	3.2	110.0	3.9	128.4	4.6	153.6	5.6	180.0	6.7	205.2	7.9
	10	90.6	3.2	110.0	4.0	128.4	4.7	153.6	5.7	180.0	6.9	205.2	8.0
	15	90.6	3.3	110.0	4.1	128.4	4.8	153.6	5.9	180.0	7.0	205.2	8.2
	20	90.6	3.4	110.0	4.2	128.4	4.9	153.6	6.0	180.0	7.2	205.2	8.4
	25	90.6	3.5	110.0	4.3	128.4	5.0	153.6	6.1	180.0	7.4	205.2	8.6
	30	90.6	3.6	110.0	4.4	128.4	5.2	153.6	6.3	180.0	7.5	205.2	8.8
	35	90.6	3.6	110.0	4.5	128.4	5.3	153.6	6.4	180.0	7.7	205.2	9.0
	40	90.6	3.7	110.0	4.6	128.4	5.4	153.6	6.6	180.0	7.9	205.2	9.2
	45	90.6	3.8	110.0	4.7	128.4	5.5	153.6	6.8	180.0	8.1	205.2	9.5
	50	90.6	3.9	110.0	4.8	128.4	5.7	153.6	6.9	180.0	8.3	205.2	9.7
	55	90.6	4.0	110.0	4.9	128.4	5.8	153.6	7.1	180.0	8.5	205.2	10.0
	60	90.6	4.1	110.0	5.1	128.4	6.0	153.6	7.3	180.0	8.8	205.2	10.2
	65	90.6	4.2	110.0	5.2	128.4	6.2	153.6	7.5	180.0	9.0	205.2	10.5
	70	90.6	4.6	110.0	5.7	128.4	6.7	153.6	8.2	180.0	9.8	205.2	11.4
	75	90.6	5.1	110.0	6.2	128.4	7.4	153.6	9.0	180.0	10.7	205.2	12.5
	80	90.6	5.6	110.0	6.8	128.4	8.1	153.6	9.8	180.0	11.8	205.2	13.8
	85	90.6	6.1	110.0	7.5	128.4	8.9	153.6	10.8	180.0	12.9	205.2	15.1
	90	90.6	6.7	110.0	8.2	128.4	9.7	153.6	11.8	180.0	14.2	205.2	16.6
	95	90.6	7.3	110.0	9.0	128.4	10.6	153.6	12.9	180.0	15.5	205.2	18.1
100	90.6	7.9	110.0	9.8	128.4	11.5	153.6	14.1	180.0	16.8	205.2	19.7	
105	90.6	8.6	110.0	10.5	128.4	12.5	153.6	15.2	180.0	18.2	199.9	20.6	
110	90.6	9.2	110.0	11.3	128.4	13.3	153.6	16.2	177.4	19.2	189.0	20.8	
115	90.6	9.7	110.0	11.9	128.4	14.1	151.2	16.9	163.8	18.6	175.1	20.2	
118	90.6	10.0	110.0	12.3	128.4	14.5	141.6	16.2	154.0	17.9	158.8	18.9	
125	84.8	9.7	94.3	10.8	102.8	11.9	106.7	12.6	109.9	13.2	112.0	13.8	

NOTE - Power Input = Compressor + Outdoor Fan Motor.
 MBH = 1000 BTUs per hour.

COOLING CAPACITY - TWO MODULE | VPB192L4

Combination (%)	Outdoor Temperature °F (Dry Bulb)	Indoor Temperature - °F (Dry Bulb / Wet Bulb)											
		67 / 57		71 / 60		75 / 63		80 / 67		85 / 71		90 / 75	
		Total Cap.	Power Input	Total Cap.	Power Input	Total Cap.	Power Input	Total Cap.	Power Input	Total Cap.	Power Input	Total Cap.	Power Input
		MBH	kW	MBH	kW	MBH	kW	MBH	kW	MBH	kW	MBH	kW
70%	-10	79.2	2.6	96.3	3.2	112.3	3.7	134.4	4.6	157.5	5.5	179.5	6.4
	-5	79.2	2.7	96.3	3.4	112.3	4.0	134.4	4.9	157.5	5.8	179.5	6.8
	10	79.2	2.8	96.3	3.4	112.3	4.1	134.4	5.0	157.5	5.9	179.5	6.9
	15	79.2	2.9	96.3	3.5	112.3	4.2	134.4	5.1	157.5	6.1	179.5	7.1
	20	79.2	2.9	96.3	3.6	112.3	4.2	134.4	5.2	157.5	6.2	179.5	7.2
	25	79.2	3.0	96.3	3.7	112.3	4.3	134.4	5.3	157.5	6.3	179.5	7.4
	30	79.2	3.1	96.3	3.8	112.3	4.4	134.4	5.4	157.5	6.5	179.5	7.6
	35	79.2	3.1	96.3	3.9	112.3	4.6	134.4	5.5	157.5	6.6	179.5	7.8
	40	79.2	3.2	96.3	4.0	112.3	4.7	134.4	5.7	157.5	6.8	179.5	8.0
	45	79.2	3.3	96.3	4.0	112.3	4.8	134.4	5.8	157.5	7.0	179.5	8.2
	50	79.2	3.4	96.3	4.2	112.3	4.9	134.4	6.0	157.5	7.2	179.5	8.4
	55	79.2	3.5	96.3	4.3	112.3	5.0	134.4	6.1	157.5	7.4	179.5	8.6
	60	79.2	3.6	96.3	4.4	112.3	5.2	134.4	6.3	157.5	7.6	179.5	8.8
	65	79.2	3.7	96.3	4.5	112.3	5.3	134.4	6.5	157.5	7.8	179.5	9.1
	70	79.2	4.0	96.3	4.9	112.3	5.8	134.4	7.0	157.5	8.4	179.5	9.9
	75	79.2	4.4	96.3	5.4	112.3	6.3	134.4	7.7	157.5	9.3	179.5	10.8
	80	79.2	4.8	96.3	5.9	112.3	7.0	134.4	8.5	157.5	10.2	179.5	11.9
	85	79.2	5.3	96.3	6.5	112.3	7.6	134.4	9.3	157.5	11.2	179.5	13.0
	90	79.2	5.8	96.3	7.1	112.3	8.4	134.4	10.2	157.5	12.2	179.5	14.3
	95	79.2	6.3	96.3	7.7	112.3	9.2	134.4	11.2	157.5	13.4	179.5	15.6
100	79.2	6.9	96.3	8.4	112.3	9.9	134.4	12.1	157.5	14.5	179.5	17.0	
105	79.2	7.4	96.3	9.1	112.3	10.7	134.4	13.1	157.5	15.7	179.5	18.3	
110	79.2	7.9	96.3	9.7	112.3	11.5	134.4	14.0	157.5	16.8	179.4	19.6	
115	79.2	8.4	96.3	10.3	112.3	12.2	134.4	14.8	155.4	17.5	165.5	19.0	
118	79.2	8.6	96.3	10.6	112.3	12.5	134.4	15.2	145.6	16.8	155.5	18.2	
125	77.5	8.8	89.2	10.2	97.0	11.1	106.7	12.4	109.9	13.0	112.0	13.6	
60%	-10	67.9	2.2	82.5	2.7	96.3	3.2	115.2	3.9	135.0	4.6	153.9	5.4
	-5	67.9	2.3	82.5	2.8	96.3	3.4	115.2	4.1	135.0	4.9	153.9	5.7
	10	67.9	2.4	82.5	2.9	96.3	3.4	115.2	4.2	135.0	5.0	153.9	5.9
	15	67.9	2.4	82.5	3.0	96.3	3.5	115.2	4.3	135.0	5.1	153.9	6.0
	20	67.9	2.5	82.5	3.0	96.3	3.6	115.2	4.4	135.0	5.2	153.9	6.1
	25	67.9	2.5	82.5	3.1	96.3	3.7	115.2	4.5	135.0	5.4	153.9	6.3
	30	67.9	2.6	82.5	3.2	96.3	3.8	115.2	4.6	135.0	5.5	153.9	6.4
	35	67.9	2.7	82.5	3.3	96.3	3.8	115.2	4.7	135.0	5.6	153.9	6.6
	40	67.9	2.7	82.5	3.3	96.3	3.9	115.2	4.8	135.0	5.8	153.9	6.7
	45	67.9	2.8	82.5	3.4	96.3	4.0	115.2	4.9	135.0	5.9	153.9	6.9
	50	67.9	2.9	82.5	3.5	96.3	4.1	115.2	5.1	135.0	6.1	153.9	7.1
	55	67.9	2.9	82.5	3.6	96.3	4.3	115.2	5.2	135.0	6.2	153.9	7.3
	60	67.9	3.0	82.5	3.7	96.3	4.4	115.2	5.3	135.0	6.4	153.9	7.5
	65	67.9	3.1	82.5	3.8	96.3	4.5	115.2	5.5	135.0	6.6	153.9	7.7
	70	67.9	3.4	82.5	4.1	96.3	4.9	115.2	6.0	135.0	7.1	153.9	8.3
	75	67.9	3.7	82.5	4.5	96.3	5.4	115.2	6.5	135.0	7.8	153.9	9.1
	80	67.9	4.1	82.5	5.0	96.3	5.9	115.2	7.2	135.0	8.6	153.9	10.0
	85	67.9	4.5	82.5	5.5	96.3	6.5	115.2	7.9	135.0	9.4	153.9	11.0
	90	67.9	4.9	82.5	6.0	96.3	7.1	115.2	8.6	135.0	10.3	153.9	12.1
	95	67.9	5.3	82.5	6.5	96.3	7.7	115.2	9.4	135.0	11.3	153.9	13.2
100	67.9	5.8	82.5	7.1	96.3	8.4	115.2	10.2	135.0	12.3	153.9	14.3	
105	67.9	6.3	82.5	7.7	96.3	9.1	115.2	11.1	135.0	13.3	153.9	15.5	
110	67.9	6.7	82.5	8.2	96.3	9.7	115.2	11.8	135.0	14.2	153.9	16.6	
115	67.9	7.1	82.5	8.7	96.3	10.3	115.2	12.5	135.0	15.0	153.9	17.5	
118	67.9	7.3	82.5	8.9	96.3	10.6	115.2	12.9	135.0	15.4	145.9	17.0	
125	67.9	7.6	82.5	9.3	91.0	10.4	100.2	11.6	109.3	12.8	112.0	13.4	

NOTE - Power Input = Compressor + Outdoor Fan Motor.
 MBH = 1000 BTUs per hour.

COOLING CAPACITY - TWO MODULE | VPB192L4

Combination (%)	Outdoor Temperature °F (Dry Bulb)	Indoor Temperature - °F (Dry Bulb / Wet Bulb)											
		67 / 57		71 / 60		75 / 63		80 / 67		85 / 71		90 / 75	
		Total Cap.	Power Input	Total Cap.	Power Input	Total Cap.	Power Input	Total Cap.	Power Input	Total Cap.	Power Input	Total Cap.	Power Input
		MBH	kW	MBH	kW	MBH	kW	MBH	kW	MBH	kW	MBH	kW
50%	-10	53.8	1.7	68.8	2.2	80.2	2.6	96.0	3.2	112.5	3.8	128.2	4.4
	-5	56.6	1.9	68.8	2.3	80.2	2.8	96.0	3.4	112.5	4.0	128.2	4.7
	10	56.6	1.9	68.8	2.4	80.2	2.8	96.0	3.4	112.5	4.1	128.2	4.8
	15	56.6	2.0	68.8	2.4	80.2	2.9	96.0	3.5	112.5	4.2	128.2	4.9
	20	56.6	2.0	68.8	2.5	80.2	2.9	96.0	3.6	112.5	4.3	128.2	5.0
	25	56.6	2.1	68.8	2.6	80.2	3.0	96.0	3.7	112.5	4.4	128.2	5.1
	30	56.6	2.1	68.8	2.6	80.2	3.1	96.0	3.8	112.5	4.5	128.2	5.3
	35	56.6	2.2	68.8	2.7	80.2	3.2	96.0	3.9	112.5	4.6	128.2	5.4
	40	56.6	2.2	68.8	2.7	80.2	3.2	96.0	3.9	112.5	4.7	128.2	5.5
	45	56.6	2.3	68.8	2.8	80.2	3.3	96.0	4.0	112.5	4.8	128.2	5.7
	50	56.6	2.3	68.8	2.9	80.2	3.4	96.0	4.2	112.5	5.0	128.2	5.8
	55	56.6	2.4	68.8	3.0	80.2	3.5	96.0	4.3	112.5	5.1	128.2	6.0
	60	56.6	2.5	68.8	3.0	80.2	3.6	96.0	4.4	112.5	5.2	128.2	6.1
	65	56.6	2.5	68.8	3.1	80.2	3.7	96.0	4.5	112.5	5.4	128.2	6.3
	70	56.6	2.8	68.8	3.4	80.2	4.0	96.0	4.9	112.5	5.9	128.2	6.8
	75	56.6	3.0	68.8	3.7	80.2	4.4	96.0	5.4	112.5	6.4	128.2	7.5
	80	56.6	3.3	68.8	4.1	80.2	4.8	96.0	5.9	112.5	7.1	128.2	8.2
	85	56.6	3.7	68.8	4.5	80.2	5.3	96.0	6.5	112.5	7.8	128.2	9.1
	90	56.6	4.0	68.8	4.9	80.2	5.8	96.0	7.1	112.5	8.5	128.2	9.9
	95	56.6	4.4	68.8	5.4	80.2	6.4	96.0	7.7	112.5	9.3	128.2	10.8
100	56.6	4.8	68.8	5.8	80.2	6.9	96.0	8.4	112.5	10.1	128.2	11.8	
105	56.6	5.1	68.8	6.3	80.2	7.5	96.0	9.1	112.5	10.9	128.2	12.7	
110	56.6	5.5	68.8	6.8	80.2	8.0	96.0	9.7	112.5	11.7	128.2	13.6	
115	56.6	5.8	68.8	7.2	80.2	8.4	96.0	10.3	112.5	12.3	128.2	14.4	
118	56.6	6.0	68.8	7.4	80.2	8.7	96.0	10.6	112.5	12.7	128.2	14.8	
125	56.6	6.2	68.8	7.7	80.2	9.1	93.0	10.7	100.9	11.8	107.9	12.8	

NOTE - Power Input = Compressor + Outdoor Fan Motor.
 MBH = 1000 BTUs per hour.

HEATING CAPACITY - TWO MODULE | VPB192L4

Combination (%)	Outdoor Temperature (°F)		Indoor Temperature - °F Dry Bulb											
			61		64		67		70		73		75	
	Dry Bulb	Wet Bulb	Total Cap. MBH	Power Input kW	Total Cap. MBH	Power Input kW	Total Cap. MBH	Power Input kW	Total Cap. MBH	Power Input kW	Total Cap. MBH	Power Input kW	Total Cap. MBH	Power Input kW
130%	-22	-23	141.6	22.5	138.8	23.0	136.3	23.5	133.8	24.1	131.6	24.6	130.2	25.0
	-17	-18	171.5	24.0	168.0	24.5	165.0	25.1	162.0	25.7	159.4	26.3	157.7	26.7
	-13	-14	196.4	25.5	193.9	26.2	191.8	26.8	189.7	27.6	187.9	28.3	186.8	28.8
	-8	-9	209.2	26.2	207.2	26.9	205.6	27.6	204.0	28.4	202.6	29.2	201.8	29.8
	-3	-4	217.1	26.6	215.3	27.4	213.8	28.1	212.4	28.9	211.1	29.7	210.4	30.3
	2	1	225.0	27.2	223.3	27.9	221.8	28.7	220.5	29.5	219.3	30.3	218.6	30.9
	7	6	233.6	27.4	231.9	28.2	230.4	29.0	229.1	29.8	227.9	30.6	227.2	31.2
	12	10	241.9	27.7	240.3	28.5	238.8	29.3	237.5	30.1	236.2	30.9	235.5	31.5
	17	15	254.4	28.2	252.8	29.0	251.3	29.7	249.9	30.6	248.6	31.4	247.9	31.7
	22	20	268.1	28.8	266.5	29.5	265.0	30.3	263.5	31.1	263.1	31.4	251.6	29.3
	27	24	280.9	29.3	279.2	30.1	277.6	30.9	274.7	31.0	263.1	28.8	251.6	26.8
	32	29	297.0	30.0	295.2	30.8	291.3	30.6	280.8	28.8	263.1	25.8	251.6	23.9
	37	34	316.3	30.9	308.6	30.2	298.5	28.5	280.8	25.7	263.1	22.9	251.6	21.5
	42	38	324.7	30.1	315.2	28.7	298.5	26.1	280.8	23.4	263.1	21.3	251.6	20.1
	47	43	333.0	28.1	315.2	25.5	298.5	23.1	280.8	21.2	263.1	19.4	251.6	18.3
	52	47	333.0	25.7	315.2	23.2	298.5	21.4	280.8	19.7	263.1	18.1	251.6	17.1
	57	52	333.0	22.8	315.2	21.1	298.5	19.5	280.8	18.0	263.1	16.5	251.6	15.5
	62	56	333.0	21.1	315.2	19.6	298.5	18.1	280.8	16.7	263.1	15.2	251.6	14.4
	67	61	333.0	19.2	315.2	17.8	298.5	16.4	280.8	15.1	263.1	13.8	251.6	13.2
	72	66	333.0	17.4	315.2	16.1	298.5	14.8	280.8	13.6	263.1	12.6	251.6	12.0
75	69	333.0	16.3	315.2	15.0	298.5	13.9	280.8	12.9	263.1	12.0	251.6	11.4	
80	74	333.0	14.7	315.2	13.6	298.5	12.7	280.8	11.8	263.1	10.9	251.6	10.4	
120%	-22	-23	139.7	22.7	137.0	23.2	134.6	23.7	132.3	24.3	130.1	24.9	128.8	25.3
	-17	-18	168.7	24.3	165.4	24.9	162.6	25.4	159.8	26.0	157.3	26.7	155.8	27.1
	-13	-14	193.8	25.9	191.5	26.6	189.5	27.3	187.7	28.0	186.0	28.8	185.0	29.3
	-8	-9	206.8	26.7	205.1	27.4	203.5	28.2	202.1	29.0	200.9	29.8	200.2	30.3
	-3	-4	214.9	27.1	213.3	27.9	211.9	28.7	210.6	29.5	209.5	30.3	208.9	30.9
	2	1	222.8	27.7	221.3	28.5	220.0	29.3	218.7	30.1	217.7	31.0	216.9	31.5
	7	6	231.4	28.0	229.8	28.8	228.5	29.6	227.3	30.4	226.3	31.3	225.3	31.8
	12	10	239.7	28.4	238.2	29.2	236.9	29.9	235.7	30.8	234.6	31.6	232.2	31.1
	17	15	252.2	28.9	250.6	29.7	249.3	30.4	248.0	31.3	242.8	30.4	232.2	28.4
	22	20	265.8	29.5	264.2	30.3	262.9	31.1	259.2	30.5	242.8	27.5	232.2	25.6
	27	24	278.5	30.1	279.0	31.1	275.6	30.8	259.2	27.9	242.8	25.1	232.2	23.2
	32	29	295.1	30.6	291.0	30.3	275.6	27.7	259.2	25.0	242.8	22.4	232.2	21.1
	37	34	307.4	29.6	291.0	27.0	275.6	24.6	259.2	22.2	242.8	20.4	232.2	19.3
	42	38	307.4	27.1	291.0	24.6	275.6	22.4	259.2	20.7	242.8	19.0	232.2	18.0
	47	43	307.4	24.1	291.0	22.0	275.6	20.4	259.2	18.9	242.8	17.4	232.2	16.4
	52	47	307.4	22.0	291.0	20.4	275.6	19.0	259.2	17.6	242.8	16.1	232.2	15.2
	57	52	307.4	20.1	291.0	18.6	275.6	17.3	259.2	15.9	242.8	14.6	232.2	13.9
	62	56	307.4	18.6	291.0	17.3	275.6	16.0	259.2	14.8	242.8	13.6	232.2	13.0
	67	61	307.4	16.9	291.0	15.6	275.6	14.5	259.2	13.4	242.8	12.5	232.2	11.9
	72	66	307.4	15.2	291.0	14.1	275.6	13.2	259.2	12.3	242.8	11.4	232.2	10.9
75	69	307.4	14.2	291.0	13.2	275.6	12.4	259.2	11.6	242.8	10.8	232.2	10.3	
80	74	307.4	12.9	291.0	12.1	275.6	11.3	259.2	10.6	242.8	9.9	232.2	9.4	

NOTE - Power Input = Compressor + Outdoor Fan Motor.
 MBH = 1000 BTUs per hour.

HEATING CAPACITY - TWO MODULE | VPB192L4

Combination (%)	Outdoor Temperature (°F)		Indoor Temperature - °F Dry Bulb											
			61		64		67		70		73		75	
	Dry Bulb	Wet Bulb	Total Cap. MBH	Power Input kW	Total Cap. MBH	Power Input kW	Total Cap. MBH	Power Input kW	Total Cap. MBH	Power Input kW	Total Cap. MBH	Power Input kW	Total Cap. MBH	Power Input kW
110%	-22	-23	137.6	23.0	135.0	23.5	132.8	24.1	130.6	24.6	128.6	25.2	127.4	25.6
	-17	-18	165.7	24.7	162.7	25.3	160.0	25.8	157.4	26.4	155.1	27.1	153.7	27.5
	-13	-14	191.2	26.4	189.1	27.2	187.3	27.8	185.6	28.6	184.1	29.4	183.3	29.9
	-8	-9	204.5	27.3	202.9	28.1	201.6	28.8	200.3	29.6	199.3	30.5	198.7	31.0
	-3	-4	212.6	27.8	211.2	28.6	210.0	29.4	208.9	30.2	208.0	31.1	205.9	31.3
	2	1	220.6	28.4	219.2	29.2	218.1	30.0	217.1	30.9	215.4	31.6	212.9	31.2
	7	6	229.1	28.8	227.8	29.6	226.7	30.4	225.6	31.2	222.6	31.0	212.9	29.2
	12	10	237.5	29.1	236.1	29.9	235.0	30.7	237.6	31.9	222.6	29.1	212.9	27.3
	17	15	249.9	29.7	248.5	30.5	247.9	31.1	237.6	29.1	222.6	26.4	212.9	24.6
	22	20	263.4	30.3	261.4	30.7	252.6	29.0	237.6	26.3	222.6	23.6	212.9	22.1
	27	24	275.0	30.3	266.7	28.9	252.6	26.5	237.6	23.9	222.6	21.6	212.9	20.5
	32	29	281.8	28.4	266.7	25.9	252.6	23.6	237.6	21.5	222.6	19.8	212.9	18.8
	37	34	281.8	25.2	266.7	23.0	252.6	21.2	237.6	19.6	222.6	18.1	212.9	17.2
	42	38	281.8	22.9	266.7	21.2	252.6	19.8	237.6	18.3	222.6	16.9	212.9	16.0
	47	43	281.8	20.7	266.7	19.3	252.6	18.0	237.6	16.7	222.6	15.4	212.9	14.6
	52	47	281.8	19.3	266.7	18.0	252.6	16.7	237.6	15.5	222.6	14.3	212.9	13.6
	57	52	281.8	17.5	266.7	16.3	252.6	15.2	237.6	14.1	222.6	13.1	212.9	12.5
	62	56	281.8	16.3	266.7	15.1	252.6	14.1	237.6	13.2	222.6	12.3	212.9	11.7
	67	61	281.8	14.7	266.7	13.7	252.6	12.9	237.6	12.0	222.6	11.2	212.9	10.7
	72	66	281.8	13.2	266.7	12.4	252.6	11.7	237.6	11.0	222.6	10.3	212.9	9.8
75	69	281.8	12.5	266.7	11.8	252.6	11.1	237.6	10.4	222.6	9.7	212.9	9.3	
80	74	281.8	11.4	266.7	10.7	252.6	10.1	237.6	9.5	222.6	8.9	212.9	8.5	
100%	-22	-23	135.2	23.3	132.8	23.9	130.8	24.4	128.7	25.0	126.9	25.6	125.8	26.0
	-17	-18	162.6	25.1	159.8	25.7	157.4	26.3	155.0	26.9	152.9	27.6	151.6	28.0
	-13	-14	188.5	27.1	186.6	27.8	185.1	28.5	183.6	29.3	182.3	30.1	181.6	30.6
	-8	-9	202.1	28.0	200.7	28.8	199.6	29.6	198.6	30.5	199.8	31.6	193.5	30.8
	-3	-4	210.4	28.6	209.2	29.4	208.2	30.2	207.3	31.1	202.3	30.6	193.5	29.1
	2	1	218.4	29.3	217.3	30.1	216.3	30.9	216.0	31.5	202.3	29.1	193.5	27.5
	7	6	226.9	29.7	225.8	30.5	226.5	31.5	216.0	29.5	202.3	27.0	193.5	25.4
	12	10	235.3	30.1	234.1	30.9	229.7	30.1	216.0	27.6	202.3	25.1	193.5	23.4
	17	15	249.2	30.9	242.5	29.7	229.7	27.4	216.0	24.9	202.3	22.5	193.5	21.1
	22	20	256.1	29.2	242.5	26.8	229.7	24.6	216.0	22.3	202.3	20.5	193.5	19.4
	27	24	256.1	26.7	242.5	24.4	229.7	22.3	216.0	20.6	202.3	19.1	193.5	18.1
	32	29	256.1	23.8	242.5	21.8	229.7	20.3	216.0	18.9	202.3	17.5	193.5	16.6
	37	34	256.1	21.2	242.5	19.9	229.7	18.6	216.0	17.3	202.3	15.9	193.5	15.1
	42	38	256.1	19.8	242.5	18.5	229.7	17.3	216.0	16.0	202.3	14.8	193.5	14.1
	47	43	256.1	18.0	242.5	16.8	229.7	15.7	216.0	14.6	202.3	13.6	193.5	13.0
	52	47	256.1	16.7	242.5	15.6	229.7	14.6	216.0	13.6	202.3	12.8	193.5	12.2
	57	52	256.1	15.2	242.5	14.2	229.7	13.3	216.0	12.5	202.3	11.8	193.5	11.3
	62	56	256.1	14.0	242.5	13.2	229.7	12.5	216.0	11.7	202.3	11.0	193.5	10.5
	67	61	256.1	12.8	242.5	12.1	229.7	11.4	216.0	10.7	202.3	10.0	193.5	9.6
	72	66	256.1	11.7	242.5	11.0	229.7	10.4	216.0	9.8	202.3	9.2	193.5	8.8
75	69	256.1	11.0	242.5	10.4	229.7	9.8	216.0	9.2	202.3	8.7	193.5	8.3	
80	74	256.1	10.0	242.5	9.5	229.7	9.0	216.0	8.4	202.3	7.9	193.5	7.6	

NOTE - Power Input = Compressor + Outdoor Fan Motor.
 MBH = 1000 BTUs per hour.

HEATING CAPACITY - TWO MODULE | VPB192L4

Combination (%)	Outdoor Temperature (°F)		Indoor Temperature - °F Dry Bulb											
			61		64		67		70		73		75	
	Dry Bulb	Wet Bulb	Total Cap. MBH	Power Input kW	Total Cap. MBH	Power Input kW	Total Cap. MBH	Power Input kW	Total Cap. MBH	Power Input kW	Total Cap. MBH	Power Input kW	Total Cap. MBH	Power Input kW
90%	-22	-23	132.8	23.8	130.6	24.3	128.6	24.9	126.7	25.5	125.0	26.1	124.0	26.5
	-17	-18	159.3	25.7	156.8	26.3	154.6	26.9	152.5	27.5	150.6	28.2	149.4	28.6
	-13	-14	185.7	27.9	184.1	28.6	182.8	29.4	181.6	30.2	180.5	30.9	174.2	30.0
	-8	-9	199.8	29.0	198.7	29.8	197.8	30.6	194.4	30.6	182.1	28.7	174.2	27.5
	-3	-4	208.2	29.6	207.2	30.5	206.7	31.0	194.4	29.0	182.1	26.9	174.2	25.6
	2	1	216.3	30.4	218.2	31.5	206.7	29.5	194.4	27.3	182.1	25.1	174.2	23.7
	7	6	226.6	31.0	218.2	29.5	206.7	27.4	194.4	25.2	182.1	23.0	174.2	21.7
	12	10	230.5	29.8	218.2	27.6	206.7	25.5	194.4	23.3	182.1	21.3	174.2	20.2
	17	15	230.5	27.1	218.2	24.9	206.7	22.9	194.4	21.0	182.1	19.5	174.2	18.6
	22	20	230.5	24.4	218.2	22.3	206.7	20.7	194.4	19.3	182.1	17.9	174.2	17.0
	27	24	230.5	22.1	218.2	20.5	206.7	19.3	194.4	17.9	182.1	16.6	174.2	15.8
	32	29	230.5	20.1	218.2	18.8	206.7	17.6	194.4	16.4	182.1	15.2	174.2	14.5
	37	34	230.5	18.3	218.2	17.2	206.7	16.1	194.4	15.0	182.1	13.9	174.2	13.4
	42	38	230.5	17.0	218.2	15.9	206.7	14.9	194.4	14.0	182.1	13.1	174.2	12.6
	47	43	230.5	15.5	218.2	14.5	206.7	13.7	194.4	12.9	182.1	12.1	174.2	11.6
	52	47	230.5	14.4	218.2	13.5	206.7	12.8	194.4	12.1	182.1	11.4	174.2	10.9
	57	52	230.5	13.1	218.2	12.4	206.7	11.8	194.4	11.1	182.1	10.4	174.2	10.0
	62	56	230.5	12.2	218.2	11.6	206.7	11.0	194.4	10.4	182.1	9.7	174.2	9.3
	67	61	230.5	11.2	218.2	10.6	206.7	10.0	194.4	9.5	182.1	8.9	174.2	8.6
	72	66	230.5	10.2	218.2	9.7	206.7	9.2	194.4	8.6	182.1	8.2	174.2	7.8
75	69	230.5	9.6	218.2	9.1	206.7	8.7	194.4	8.2	182.1	7.7	174.2	7.4	
80	74	230.5	8.8	218.2	8.3	206.7	7.9	194.4	7.5	182.1	7.0	174.2	6.8	
80%	-22	-23	130.1	24.3	128.1	24.9	126.3	25.4	124.6	26.0	123.1	26.7	122.2	27.1
	-17	-18	155.8	26.4	153.6	27.0	151.7	27.6	149.8	28.3	148.2	28.9	147.2	29.4
	-13	-14	183.0	28.9	181.7	29.7	181.8	30.6	172.8	29.4	161.9	27.8	154.8	26.7
	-8	-9	197.6	30.2	194.0	30.1	183.7	28.5	172.8	26.9	161.9	25.2	154.8	24.2
	-3	-4	204.9	30.2	194.0	28.4	183.7	26.8	172.8	25.0	161.9	23.3	154.8	22.2
	2	1	204.9	28.7	194.0	26.8	183.7	25.0	172.8	23.2	161.9	21.5	154.8	20.4
	7	6	204.9	26.6	194.0	24.7	183.7	22.9	172.8	21.2	161.9	19.7	154.8	18.8
	12	10	204.9	24.7	194.0	22.8	183.7	21.2	172.8	19.7	161.9	18.4	154.8	17.6
	17	15	204.9	22.2	194.0	20.6	183.7	19.4	172.8	18.1	161.9	16.9	154.8	16.1
	22	20	204.9	20.1	194.0	18.9	183.7	17.8	172.8	16.6	161.9	15.5	154.8	14.7
	27	24	204.9	18.7	194.0	17.6	183.7	16.5	172.8	15.4	161.9	14.3	154.8	13.7
	32	29	204.9	17.1	194.0	16.1	183.7	15.1	172.8	14.1	161.9	13.3	154.8	12.8
	37	34	204.9	15.6	194.0	14.6	183.7	13.8	172.8	13.1	161.9	12.3	154.8	11.9
	42	38	204.9	14.5	194.0	13.6	183.7	13.0	172.8	12.3	161.9	11.6	154.8	11.2
	47	43	204.9	13.2	194.0	12.6	183.7	12.0	172.8	11.3	161.9	10.7	154.8	10.3
	52	47	204.9	12.4	194.0	11.8	183.7	11.2	172.8	10.6	161.9	10.0	154.8	9.6
	57	52	204.9	11.4	194.0	10.8	183.7	10.3	172.8	9.7	161.9	9.2	154.8	8.8
	62	56	204.9	10.6	194.0	10.1	183.7	9.6	172.8	9.1	161.9	8.6	154.8	8.2
	67	61	204.9	9.7	194.0	9.2	183.7	8.8	172.8	8.3	161.9	7.9	154.8	7.6
	72	66	204.9	8.8	194.0	8.4	183.7	8.0	172.8	7.6	161.9	7.2	154.8	7.1
75	69	204.9	8.3	194.0	8.0	183.7	7.6	172.8	7.2	161.9	7.0	154.8	6.7	
80	74	204.9	7.6	194.0	7.2	183.7	6.9	172.8	6.6	161.9	6.3	154.8	6.1	

NOTE - Power Input = Compressor + Outdoor Fan Motor.
 MBH = 1000 BTUs per hour.

HEATING CAPACITY - TWO MODULE | VPB192L4

Combination (%)	Outdoor Temperature (°F)		Indoor Temperature - °F Dry Bulb											
			61		64		67		70		73		75	
	Dry Bulb	Wet Bulb	Total Cap. MBH	Power Input kW	Total Cap. MBH	Power Input kW	Total Cap. MBH	Power Input kW	Total Cap. MBH	Power Input kW	Total Cap. MBH	Power Input kW	Total Cap. MBH	Power Input kW
70%	-22	-23	127.2	25.0	125.4	25.6	123.9	26.2	122.4	26.8	121.0	27.5	120.2	27.9
	-17	-18	152.1	27.3	150.2	27.9	148.6	28.5	147.1	29.2	141.6	28.9	135.5	28.1
	-13	-14	179.3	29.8	169.7	28.4	160.8	27.1	151.2	25.9	141.6	24.7	135.5	23.9
	-8	-9	179.3	27.3	169.7	25.9	160.8	24.5	151.2	23.3	141.6	22.0	135.5	21.1
	-3	-4	179.3	25.5	169.7	24.0	160.8	22.7	151.2	21.3	141.6	20.0	135.5	19.2
	2	1	179.3	23.7	169.7	22.3	160.8	20.9	151.2	19.6	141.6	18.4	135.5	17.7
	7	6	179.3	21.7	169.7	20.3	160.8	19.2	151.2	18.0	141.6	16.9	135.5	16.2
	12	10	179.3	20.1	169.7	19.0	160.8	17.9	151.2	16.9	141.6	15.8	135.5	15.1
	17	15	179.3	18.4	169.7	17.4	160.8	16.4	151.2	15.4	141.6	14.4	135.5	13.8
	22	20	179.3	16.9	169.7	15.9	160.8	15.0	151.2	14.1	141.6	13.3	135.5	12.8
	27	24	179.3	15.7	169.7	14.7	160.8	13.9	151.2	13.2	141.6	12.5	135.5	12.1
	32	29	179.3	14.3	169.7	13.5	160.8	12.9	151.2	12.3	141.6	11.7	135.5	11.2
	37	34	179.3	13.2	169.7	12.6	160.8	12.0	151.2	11.4	141.6	10.8	135.5	10.4
	42	38	179.3	12.4	169.7	11.8	160.8	11.3	151.2	10.7	141.6	10.2	135.5	9.8
	47	43	179.3	11.4	169.7	10.9	160.8	10.4	151.2	9.9	141.6	9.3	135.5	9.0
	52	47	179.3	10.7	169.7	10.2	160.8	9.7	151.2	9.2	141.6	8.7	135.5	8.4
	57	52	179.3	9.8	169.7	9.3	160.8	8.9	151.2	8.5	141.6	8.0	135.5	7.7
	62	56	179.3	9.1	169.7	8.7	160.8	8.3	151.2	7.9	141.6	7.5	135.5	7.3
	67	61	179.3	8.3	169.7	7.9	160.8	7.6	151.2	7.2	141.6	7.0	135.5	6.8
	72	66	179.3	7.6	169.7	7.3	160.8	7.0	151.2	6.8	141.6	6.5	135.5	6.2
75	69	179.3	7.2	169.7	6.9	160.8	6.7	151.2	6.5	141.6	6.2	135.5	6.0	
80	74	179.3	6.5	169.7	6.4	160.8	6.1	151.2	5.8	141.6	5.5	135.5	5.3	
60%	-22	-23	124.0	25.9	122.5	26.6	121.2	27.2	120.0	27.8	119.7	28.7	116.1	28.5
	-17	-18	148.2	28.5	145.5	28.8	137.8	27.9	129.6	26.8	121.4	25.8	116.1	25.1
	-13	-14	153.7	25.5	145.5	24.6	137.8	23.7	129.6	22.7	121.4	21.6	116.1	20.9
	-8	-9	153.7	23.0	145.5	22.0	137.8	21.0	129.6	19.9	121.4	18.9	116.1	18.3
	-3	-4	153.7	21.2	145.5	20.0	137.8	19.0	129.6	18.1	121.4	17.1	116.1	16.5
	2	1	153.7	19.4	145.5	18.4	137.8	17.6	129.6	16.6	121.4	15.7	116.1	15.1
	7	6	153.7	17.9	145.5	17.0	137.8	16.1	129.6	15.2	121.4	14.3	116.1	13.7
	12	10	153.7	16.7	145.5	15.8	137.8	15.0	129.6	14.1	121.4	13.3	116.1	12.8
	17	15	153.7	15.2	145.5	14.4	137.8	13.7	129.6	13.0	121.4	12.3	116.1	11.9
	22	20	153.7	13.9	145.5	13.2	137.8	12.7	129.6	12.1	121.4	11.5	116.1	11.1
	27	24	153.7	13.0	145.5	12.5	137.8	11.9	129.6	11.4	121.4	10.8	116.1	10.5
	32	29	153.7	12.1	145.5	11.6	137.8	11.1	129.6	10.6	121.4	10.1	116.1	9.7
	37	34	153.7	11.2	145.5	10.7	137.8	10.3	129.6	9.8	121.4	9.3	116.1	9.0
	42	38	153.7	10.5	145.5	10.1	137.8	9.7	129.6	9.2	121.4	8.8	116.1	8.5
	47	43	153.7	9.7	145.5	9.3	137.8	8.9	129.6	8.5	121.4	8.0	116.1	7.8
	52	47	153.7	9.0	145.5	8.7	137.8	8.3	129.6	7.9	121.4	7.5	116.1	7.3
	57	52	153.7	8.3	145.5	7.9	137.8	7.6	129.6	7.3	121.4	7.0	116.1	6.8
	62	56	153.7	7.7	145.5	7.4	137.8	7.1	129.6	6.9	121.4	6.6	116.1	6.3
	67	61	153.7	7.0	145.5	6.9	137.8	6.6	129.6	6.3	121.4	6.0	116.1	5.8
	72	66	153.7	6.6	145.5	6.4	137.8	6.1	129.6	5.9	121.4	5.6	116.1	5.4
75	69	153.7	6.3	145.5	6.1	137.8	5.8	129.6	5.6	121.4	5.3	116.1	5.2	
80	74	153.7	5.7	145.5	5.5	137.8	5.2	129.6	5.0	121.4	4.7	116.1	4.5	

NOTE - Power Input = Compressor + Outdoor Fan Motor.
 MBH = 1000 BTUs per hour.

HEATING CAPACITY - TWO MODULE | VPB192L4

Combination (%)	Outdoor Temperature (°F)		Indoor Temperature - °F Dry Bulb											
			61		64		67		70		73		75	
	Dry Bulb	Wet Bulb	Total Cap. MBH	Power Input kW	Total Cap. MBH	Power Input kW	Total Cap. MBH	Power Input kW	Total Cap. MBH	Power Input kW	Total Cap. MBH	Power Input kW	Total Cap. MBH	Power Input kW
50%	-22	-23	120.6	27.3	121.2	28.4	114.8	27.7	108.0	26.9	101.2	26.0	96.8	25.4
	-17	-18	128.1	25.9	121.2	25.1	114.8	24.3	108.0	23.4	101.2	22.4	96.8	21.7
	-13	-14	128.1	21.9	121.2	21.0	114.8	20.2	108.0	19.4	101.2	18.5	96.8	18.0
	-8	-9	128.1	19.2	121.2	18.4	114.8	17.7	108.0	16.9	101.2	16.1	96.8	15.5
	-3	-4	128.1	17.4	121.2	16.6	114.8	15.9	108.0	15.2	101.2	14.4	96.8	13.8
	2	1	128.1	15.9	121.2	15.2	114.8	14.5	108.0	13.7	101.2	12.9	96.8	12.5
	7	6	128.1	14.5	121.2	13.8	114.8	13.2	108.0	12.5	101.2	11.9	96.8	11.5
	12	10	128.1	13.5	121.2	12.9	114.8	12.4	108.0	11.8	101.2	11.2	96.8	10.9
	17	15	128.1	12.4	121.2	11.9	114.8	11.5	108.0	11.0	101.2	10.5	96.8	10.1
	22	20	128.1	11.6	121.2	11.1	114.8	10.7	108.0	10.2	101.2	9.8	96.8	9.5
	27	24	128.1	10.9	121.2	10.5	114.8	10.1	108.0	9.7	101.2	9.2	96.8	8.9
	32	29	128.1	10.1	121.2	9.7	114.8	9.4	108.0	9.0	101.2	8.6	96.8	8.3
	37	34	128.1	9.4	121.2	9.0	114.8	8.7	108.0	8.3	101.2	7.9	96.8	7.7
	42	38	128.1	8.8	121.2	8.4	114.8	8.1	108.0	7.8	101.2	7.4	96.8	7.3
	47	43	128.1	8.1	121.2	7.7	114.8	7.4	108.0	7.2	101.2	6.9	96.8	6.7
	52	47	128.1	7.5	121.2	7.2	114.8	7.1	108.0	6.8	101.2	6.4	96.8	6.2
	57	52	128.1	7.0	121.2	6.8	114.8	6.5	108.0	6.2	101.2	5.9	96.8	5.7
62	56	128.1	6.6	121.2	6.3	114.8	6.1	108.0	5.8	101.2	5.5	96.8	5.4	
67	61	128.1	6.0	121.2	5.8	114.8	5.6	108.0	5.3	101.2	5.1	96.8	5.0	
72	66	128.1	5.6	121.2	5.4	114.8	5.2	108.0	5.0	101.2	4.8	96.8	4.6	
75	69	128.1	5.3	121.2	5.1	114.8	5.0	108.0	4.8	101.2	4.6	96.8	4.5	
80	74	128.1	4.8	121.2	4.6	114.8	4.4	108.0	4.2	101.2	4.0	96.8	3.9	

NOTE - Power Input = Compressor + Outdoor Fan Motor.
 MBH = 1000 BTUs per hour.

COOLING CAPACITY - TWO MODULE | VPB216L4

Combination (%)	Outdoor Temperature °F (Dry Bulb)	Indoor Temperature - °F (Dry Bulb / Wet Bulb)											
		67 / 57		71 / 60		75 / 63		80 / 67		85 / 71		90 / 75	
		Total Cap.	Power Input	Total Cap.	Power Input	Total Cap.	Power Input	Total Cap.	Power Input	Total Cap.	Power Input	Total Cap.	Power Input
		MBH	KW	MBH	KW	MBH	KW	MBH	KW	MBH	KW	MBH	KW
130%	-10	165.5	5.5	201.2	6.7	234.7	7.9	280.8	9.7	329.0	11.6	367.6	13.3
	-5	165.5	5.8	201.2	7.1	234.7	8.4	280.8	10.3	329.0	12.3	349.5	13.4
	10	165.5	5.9	201.2	7.3	234.7	8.6	280.8	10.5	329.0	12.6	343.1	13.4
	15	165.5	6.1	201.2	7.5	234.7	8.8	280.8	10.7	326.4	12.8	336.0	13.4
	20	165.5	6.2	201.2	7.6	234.7	9.0	280.8	11.0	322.2	12.9	328.9	13.4
	25	165.5	6.3	201.2	7.8	234.7	9.2	280.8	11.2	317.9	13.0	321.5	13.4
	30	165.5	6.5	201.2	8.0	234.7	9.4	280.8	11.5	310.1	12.9	314.4	13.4
	35	165.5	6.7	201.2	8.2	234.7	9.7	280.8	11.8	303.5	13.0	307.8	13.5
	40	165.5	6.8	201.2	8.4	234.7	9.9	280.8	12.1	299.5	13.1	303.8	13.6
	45	165.5	7.0	201.2	8.6	234.7	10.1	280.8	12.4	298.3	13.4	302.6	13.9
	50	165.5	7.2	201.2	8.8	234.7	10.4	280.8	12.7	297.5	13.7	301.8	14.2
	55	165.5	7.4	201.2	9.0	234.7	10.7	280.8	13.0	297.1	14.0	301.4	14.6
	60	165.5	7.6	201.2	9.3	234.7	11.0	280.8	13.4	298.0	14.4	301.1	15.0
	65	165.5	7.8	201.2	9.5	234.7	11.3	280.8	13.7	295.2	14.7	300.8	15.4
	70	165.5	8.4	201.2	10.4	234.7	12.3	280.8	14.9	294.6	16.0	300.2	16.7
	75	165.5	9.3	201.2	11.4	234.7	13.5	277.8	16.2	293.3	17.4	299.0	18.2
	80	165.5	10.2	201.2	12.5	234.7	14.8	276.3	17.7	291.0	19.0	296.6	19.8
	85	165.5	11.2	201.2	13.7	234.7	16.2	274.0	19.2	287.1	20.6	292.6	21.5
	90	165.5	12.2	201.2	15.0	234.7	17.8	270.5	20.8	281.2	22.1	286.6	23.0
	95	165.5	13.4	201.2	16.4	234.7	19.4	253.4	21.2	257.7	22.1	262.0	23.0
100	165.5	14.5	201.2	17.9	228.4	20.5	241.5	22.0	245.8	22.9	250.5	23.9	
105	165.5	15.7	201.2	19.3	219.1	21.1	224.0	22.0	230.6	23.2	235.1	24.2	
110	165.5	16.8	189.8	19.4	197.2	20.4	204.8	21.5	210.9	22.7	214.9	23.7	
115	158.3	16.9	167.9	18.1	173.7	19.0	180.4	20.1	185.7	21.1	189.3	22.0	
118	145.0	15.9	151.3	16.8	156.6	17.6	162.6	18.6	167.5	19.6	170.7	20.4	
125	100.2	11.4	104.6	12.1	108.2	12.7	112.4	13.4	115.8	14.1	118.0	14.7	
120%	-10	152.8	5.0	185.7	6.1	216.6	7.2	259.2	8.8	303.7	10.5	346.2	12.3
	-5	152.8	5.3	185.7	6.5	216.6	7.7	259.2	9.4	303.7	11.2	341.1	12.9
	10	152.8	5.4	185.7	6.6	216.6	7.8	259.2	9.6	303.7	11.4	337.3	13.0
	15	152.8	5.5	185.7	6.8	216.6	8.0	259.2	9.8	303.7	11.7	330.2	13.0
	20	152.8	5.6	185.7	6.9	216.6	8.2	259.2	10.0	303.7	11.9	323.1	13.0
	25	152.8	5.8	185.7	7.1	216.6	8.4	259.2	10.2	303.7	12.2	315.8	13.0
	30	152.8	5.9	185.7	7.3	216.6	8.6	259.2	10.4	299.5	12.3	308.8	13.0
	35	152.8	6.0	185.7	7.4	216.6	8.8	259.2	10.7	295.6	12.4	302.2	13.0
	40	152.8	6.2	185.7	7.6	216.6	9.0	259.2	11.0	293.0	12.6	298.1	13.2
	45	152.8	6.3	185.7	7.8	216.6	9.2	259.2	11.2	292.0	12.9	296.9	13.4
	50	152.8	6.5	185.7	8.0	216.6	9.5	259.2	11.5	291.2	13.2	296.1	13.7
	55	152.8	6.7	185.7	8.2	216.6	9.7	259.2	11.8	290.6	13.5	295.7	14.1
	60	152.8	6.9	185.7	8.4	216.6	10.0	259.2	12.1	290.7	13.9	295.4	14.4
	65	152.8	7.1	185.7	8.7	216.6	10.2	259.2	12.5	289.1	14.2	295.2	14.8
	70	152.8	7.7	185.7	9.4	216.6	11.1	259.2	13.6	288.4	15.4	294.6	16.1
	75	152.8	8.4	185.7	10.4	216.6	12.2	259.2	14.9	287.5	16.8	293.3	17.6
	80	152.8	9.3	185.7	11.4	216.6	13.4	259.2	16.4	285.5	18.4	291.0	19.2
	85	152.8	10.2	185.7	12.5	216.6	14.7	259.2	18.0	281.7	19.9	287.1	20.7
	90	152.8	11.1	185.7	13.7	216.6	16.1	259.2	19.7	275.9	21.3	281.2	22.2
	95	152.8	12.1	185.7	14.9	216.6	17.6	248.2	20.5	257.7	21.7	262.0	22.6
100	152.8	13.2	185.7	16.2	216.6	19.2	241.7	21.7	245.8	22.5	250.5	23.5	
105	152.8	14.3	185.7	17.5	211.0	20.1	224.0	21.7	230.6	22.8	235.1	23.8	
110	152.8	15.3	182.9	18.5	197.2	20.0	204.8	21.2	210.9	22.3	214.9	23.3	
115	152.8	16.1	167.9	17.8	173.7	18.7	180.4	19.8	185.7	20.8	189.3	21.7	
118	142.8	15.4	151.3	16.5	156.6	17.3	162.6	18.3	167.5	19.3	170.7	20.1	
125	100.2	11.3	104.6	11.9	108.2	12.5	112.4	13.2	115.8	13.9	118.0	14.5	

NOTE - Power Input = Compressor + Outdoor Fan Motor.
 MBH = 1000 BTUs per hour.

COOLING CAPACITY - TWO MODULE | VPB216L4

Combination (%)	Outdoor Temperature °F (Dry Bulb)	Indoor Temperature - °F (Dry Bulb / Wet Bulb)											
		67 / 57		71 / 60		75 / 63		80 / 67		85 / 71		90 / 75	
		Total Cap.	Power Input	Total Cap.	Power Input	Total Cap.	Power Input	Total Cap.	Power Input	Total Cap.	Power Input	Total Cap.	Power Input
		MBH	kW	MBH	kW	MBH	kW	MBH	kW	MBH	kW	MBH	kW
110%	-10	140.1	4.5	170.2	5.5	198.6	6.5	237.6	7.9	278.4	9.5	317.4	11.1
	-5	140.1	4.8	170.2	5.9	198.6	6.9	237.6	8.4	278.4	10.1	317.4	11.8
	10	140.1	4.9	170.2	6.0	198.6	7.1	237.6	8.6	278.4	10.3	317.4	12.1
	15	140.1	5.0	170.2	6.1	198.6	7.2	237.6	8.8	278.4	10.6	317.3	12.3
	20	140.1	5.1	170.2	6.3	198.6	7.4	237.6	9.0	278.4	10.8	313.2	12.4
	25	140.1	5.2	170.2	6.4	198.6	7.6	237.6	9.2	278.4	11.0	309.0	12.5
	30	140.1	5.3	170.2	6.5	198.6	7.7	237.6	9.4	278.4	11.3	303.1	12.6
	35	140.1	5.5	170.2	6.7	198.6	7.9	237.6	9.7	278.4	11.6	296.5	12.6
	40	140.1	5.6	170.2	6.9	198.6	8.1	237.6	9.9	278.4	11.8	292.4	12.7
	45	140.1	5.7	170.2	7.0	198.6	8.3	237.6	10.1	278.4	12.1	291.2	13.0
	50	140.1	5.9	170.2	7.2	198.6	8.5	237.6	10.4	278.4	12.5	290.4	13.3
	55	140.1	6.0	170.2	7.4	198.6	8.8	237.6	10.7	278.4	12.8	290.0	13.6
	60	140.1	6.2	170.2	7.6	198.6	9.0	237.6	11.0	276.3	13.0	289.8	13.9
	65	140.1	6.4	170.2	7.8	198.6	9.2	237.6	11.3	274.9	13.3	289.5	14.3
	70	140.1	6.9	170.2	8.5	198.6	10.1	237.6	12.3	274.2	14.5	288.9	15.5
	75	140.1	7.6	170.2	9.3	198.6	11.0	237.6	13.5	273.3	15.8	287.7	17.0
	80	140.1	8.4	170.2	10.3	198.6	12.1	237.6	14.8	271.8	17.2	285.4	18.5
	85	140.1	9.2	170.2	11.3	198.6	13.3	237.6	16.2	269.6	18.8	281.6	20.0
	90	140.1	10.0	170.2	12.3	198.6	14.6	237.6	17.8	266.3	20.3	275.8	21.5
	95	140.1	11.0	170.2	13.5	198.6	15.9	237.6	19.4	259.1	21.5	262.0	22.3
100	140.1	11.9	170.2	14.7	198.6	17.3	234.1	20.8	245.8	22.2	250.5	23.2	
105	140.1	12.9	170.2	15.8	198.6	18.7	222.8	21.2	230.6	22.5	235.1	23.5	
110	140.1	13.8	170.2	16.9	191.1	19.2	204.8	20.9	210.9	22.0	214.9	23.0	
115	140.1	14.6	162.7	17.1	173.7	18.4	180.4	19.5	185.7	20.5	189.3	21.4	
118	137.1	14.6	151.3	16.3	156.6	17.0	162.6	18.0	167.5	19.0	170.7	19.8	
125	100.2	11.1	104.6	11.7	108.2	12.3	112.4	13.0	115.8	13.7	118.0	14.3	
100%	-10	127.3	4.0	154.7	4.9	180.5	5.8	216.0	7.1	253.1	8.5	288.5	9.9
	-5	127.3	4.3	154.7	5.3	180.5	6.2	216.0	7.6	253.1	9.1	288.5	10.6
	10	127.3	4.4	154.7	5.4	180.5	6.3	216.0	7.7	253.1	9.2	288.5	10.8
	15	127.3	4.5	154.7	5.5	180.5	6.5	216.0	7.9	253.1	9.5	288.5	11.0
	20	127.3	4.6	154.7	5.6	180.5	6.6	216.0	8.1	253.1	9.7	288.4	11.3
	25	127.3	4.7	154.7	5.7	180.5	6.8	216.0	8.2	253.1	9.9	286.7	11.5
	30	127.3	4.8	154.7	5.9	180.5	6.9	216.0	8.4	253.1	10.1	285.1	11.7
	35	127.3	4.9	154.7	6.0	180.5	7.1	216.0	8.6	253.1	10.4	283.7	11.9
	40	127.3	5.0	154.7	6.2	180.5	7.3	216.0	8.9	253.1	10.6	282.5	12.1
	45	127.3	5.1	154.7	6.3	180.5	7.4	216.0	9.1	253.1	10.9	281.5	12.4
	50	127.3	5.3	154.7	6.5	180.5	7.6	216.0	9.3	253.1	11.2	280.8	12.6
	55	127.3	5.4	154.7	6.6	180.5	7.8	216.0	9.6	253.1	11.4	280.2	13.0
	60	127.3	5.5	154.7	6.8	180.5	8.1	216.0	9.8	253.1	11.8	279.7	13.3
	65	127.3	5.7	154.7	7.0	180.5	8.3	216.0	10.1	253.1	12.1	279.3	13.6
	70	127.3	6.2	154.7	7.6	180.5	9.0	216.0	11.0	253.1	13.1	278.6	14.8
	75	127.3	6.8	154.7	8.4	180.5	9.9	216.0	12.0	253.1	14.4	277.7	16.2
	80	127.3	7.5	154.7	9.2	180.5	10.9	216.0	13.2	253.1	15.8	276.2	17.7
	85	127.3	8.2	154.7	10.1	180.5	11.9	216.0	14.5	253.1	17.4	274.0	19.2
	90	127.3	9.0	154.7	11.1	180.5	13.0	216.0	15.9	252.2	19.0	270.3	20.7
	95	127.3	9.8	154.7	12.1	180.5	14.3	216.0	17.4	247.6	20.3	262.0	22.0
100	127.3	10.7	154.7	13.1	180.5	15.5	216.0	18.9	241.4	21.5	250.5	22.8	
105	127.3	11.5	154.7	14.2	180.5	16.7	213.2	20.1	230.6	22.1	235.1	23.1	
110	127.3	12.3	154.7	15.2	180.5	17.9	202.8	20.4	210.9	21.7	214.9	22.6	
115	127.3	13.0	154.7	16.0	170.3	17.8	180.4	19.2	185.7	20.2	189.3	21.1	
118	127.3	13.4	147.0	15.6	156.6	16.8	162.6	17.8	167.5	18.7	170.7	19.5	
125	100.2	10.9	104.6	11.5	108.2	12.1	112.4	12.8	115.8	13.5	118.0	14.0	

NOTE - Power Input = Compressor + Outdoor Fan Motor.
 MBH = 1000 BTUs per hour.

COOLING CAPACITY - TWO MODULE | VPB216L4

Combination (%)	Outdoor Temperature °F (Dry Bulb)	Indoor Temperature - °F (Dry Bulb / Wet Bulb)											
		67 / 57		71 / 60		75 / 63		80 / 67		85 / 71		90 / 75	
		Total Cap.	Power Input	Total Cap.	Power Input	Total Cap.	Power Input	Total Cap.	Power Input	Total Cap.	Power Input	Total Cap.	Power Input
		MBH	KW	MBH	KW	MBH	KW	MBH	KW	MBH	KW	MBH	KW
90%	-10	114.6	3.6	139.3	4.4	162.5	5.2	194.4	6.3	227.8	7.6	259.7	8.8
	-5	114.6	3.8	139.3	4.7	162.5	5.5	194.4	6.7	227.8	8.0	259.7	9.4
	10	114.6	3.9	139.3	4.8	162.5	5.6	194.4	6.8	227.8	8.2	259.7	9.6
	15	114.6	4.0	139.3	4.9	162.5	5.7	194.4	7.0	227.8	8.4	259.7	9.8
	20	114.6	4.0	139.3	5.0	162.5	5.9	194.4	7.1	227.8	8.6	259.7	10.0
	25	114.6	4.1	139.3	5.1	162.5	6.0	194.4	7.3	227.8	8.8	259.7	10.2
	30	114.6	4.2	139.3	5.2	162.5	6.1	194.4	7.5	227.8	9.0	259.7	10.5
	35	114.6	4.3	139.3	5.3	162.5	6.3	194.4	7.7	227.8	9.2	259.7	10.7
	40	114.6	4.4	139.3	5.5	162.5	6.4	194.4	7.9	227.8	9.4	259.7	11.0
	45	114.6	4.5	139.3	5.6	162.5	6.6	194.4	8.0	227.8	9.6	259.7	11.3
	50	114.6	4.7	139.3	5.7	162.5	6.8	194.4	8.3	227.8	9.9	259.7	11.5
	55	114.6	4.8	139.3	5.9	162.5	7.0	194.4	8.5	227.8	10.2	259.7	11.9
	60	114.6	4.9	139.3	6.0	162.5	7.1	194.4	8.7	227.8	10.4	259.7	12.2
	65	114.6	5.1	139.3	6.2	162.5	7.3	194.4	8.9	227.8	10.7	259.7	12.5
	70	114.6	5.5	139.3	6.8	162.5	8.0	194.4	9.7	227.8	11.7	259.7	13.6
	75	114.6	6.0	139.3	7.4	162.5	8.8	194.4	10.7	227.8	12.8	259.7	14.9
	80	114.6	6.6	139.3	8.2	162.5	9.6	194.4	11.7	227.8	14.1	259.7	16.4
	85	114.6	7.3	139.3	8.9	162.5	10.6	194.4	12.9	227.8	15.4	258.2	17.9
	90	114.6	8.0	139.3	9.8	162.5	11.6	194.4	14.1	227.8	16.9	255.0	19.3
95	114.6	8.7	139.3	10.7	162.5	12.6	194.4	15.4	227.8	18.4	253.2	21.0	
100	114.6	9.5	139.3	11.6	162.5	13.7	194.4	16.7	227.6	20.0	246.8	22.2	
105	114.6	10.2	139.3	12.6	162.5	14.8	194.4	18.1	221.9	21.1	235.1	22.8	
110	114.6	10.9	139.3	13.4	162.5	15.9	193.2	19.2	210.9	21.3	214.9	22.3	
115	114.6	11.6	139.3	14.2	162.3	16.8	180.0	18.8	185.7	19.9	189.3	20.7	
118	114.6	11.9	139.3	14.6	153.1	16.2	162.6	17.5	167.5	18.4	170.7	19.2	
125	100.2	10.8	104.6	11.4	108.2	11.9	112.4	12.6	115.8	13.3	118.0	13.8	
80%	-10	101.9	3.1	123.8	3.8	144.4	4.5	172.8	5.5	202.5	6.6	230.8	7.7
	-5	101.9	3.3	123.8	4.1	144.4	4.8	172.8	5.9	202.5	7.0	230.8	8.2
	10	101.9	3.4	123.8	4.2	144.4	4.9	172.8	6.0	202.5	7.2	230.8	8.4
	15	101.9	3.5	123.8	4.3	144.4	5.0	172.8	6.1	202.5	7.3	230.8	8.6
	20	101.9	3.5	123.8	4.4	144.4	5.1	172.8	6.3	202.5	7.5	230.8	8.8
	25	101.9	3.6	123.8	4.5	144.4	5.3	172.8	6.4	202.5	7.7	230.8	9.0
	30	101.9	3.7	123.8	4.6	144.4	5.4	172.8	6.6	202.5	7.9	230.8	9.2
	35	101.9	3.8	123.8	4.7	144.4	5.5	172.8	6.7	202.5	8.0	230.8	9.4
	40	101.9	3.9	123.8	4.8	144.4	5.6	172.8	6.9	202.5	8.2	230.8	9.6
	45	101.9	4.0	123.8	4.9	144.4	5.8	172.8	7.1	202.5	8.4	230.8	9.9
	50	101.9	4.1	123.8	5.0	144.4	5.9	172.8	7.2	202.5	8.7	230.8	10.1
	55	101.9	4.2	123.8	5.2	144.4	6.1	172.8	7.4	202.5	8.9	230.8	10.4
	60	101.9	4.3	123.8	5.3	144.4	6.3	172.8	7.6	202.5	9.1	230.8	10.7
	65	101.9	4.4	123.8	5.4	144.4	6.4	172.8	7.8	202.5	9.4	230.8	11.0
	70	101.9	4.8	123.8	5.9	144.4	7.0	172.8	8.5	202.5	10.2	230.8	11.9
	75	101.9	5.3	123.8	6.5	144.4	7.7	172.8	9.4	202.5	11.2	230.8	13.1
	80	101.9	5.8	123.8	7.1	144.4	8.4	172.8	10.3	202.5	12.3	230.8	14.4
	85	101.9	6.4	123.8	7.8	144.4	9.3	172.8	11.3	202.5	13.5	230.8	15.8
	90	101.9	7.0	123.8	8.6	144.4	10.1	172.8	12.4	202.5	14.8	230.8	17.3
95	101.9	7.6	123.8	9.4	144.4	11.1	172.8	13.5	202.5	16.2	230.8	18.9	
100	101.9	8.3	123.8	10.2	144.4	12.0	172.8	14.7	202.5	17.6	230.8	20.5	
105	101.9	9.0	123.8	11.0	144.4	13.0	172.8	15.8	202.5	19.0	225.5	21.6	
110	101.9	9.6	123.8	11.8	144.4	13.9	172.8	16.9	199.9	20.0	214.6	21.9	
115	101.9	10.1	123.8	12.5	144.4	14.7	170.4	17.7	185.7	19.6	189.3	20.4	
118	101.9	10.4	123.8	12.8	144.4	15.1	160.8	17.1	167.5	18.1	170.7	18.9	
125	96.1	10.2	104.6	11.2	108.2	11.7	112.4	12.4	115.8	13.1	118.0	13.6	

NOTE - Power Input = Compressor + Outdoor Fan Motor.
 MBH = 1000 BTUs per hour.

COOLING CAPACITY - TWO MODULE | VPB216L4

Combination (%)	Outdoor Temperature °F (Dry Bulb)	Indoor Temperature - °F (Dry Bulb / Wet Bulb)											
		67 / 57		71 / 60		75 / 63		80 / 67		85 / 71		90 / 75	
		Total Cap.	Power Input	Total Cap.	Power Input	Total Cap.	Power Input	Total Cap.	Power Input	Total Cap.	Power Input	Total Cap.	Power Input
		MBH	kW	MBH	kW	MBH	kW	MBH	kW	MBH	kW	MBH	kW
70%	-10	89.1	2.7	108.3	3.3	126.4	3.9	151.2	4.8	177.2	5.7	202.0	6.7
	-5	89.1	2.9	108.3	3.5	126.4	4.2	151.2	5.1	177.2	6.1	202.0	7.1
	10	89.1	2.9	108.3	3.6	126.4	4.2	151.2	5.2	177.2	6.2	202.0	7.2
	15	89.1	3.0	108.3	3.7	126.4	4.3	151.2	5.3	177.2	6.3	202.0	7.4
	20	89.1	3.1	108.3	3.8	126.4	4.4	151.2	5.4	177.2	6.5	202.0	7.6
	25	89.1	3.1	108.3	3.8	126.4	4.5	151.2	5.5	177.2	6.6	202.0	7.7
	30	89.1	3.2	108.3	3.9	126.4	4.6	151.2	5.7	177.2	6.8	202.0	7.9
	35	89.1	3.3	108.3	4.0	126.4	4.7	151.2	5.8	177.2	6.9	202.0	8.1
	40	89.1	3.4	108.3	4.1	126.4	4.9	151.2	5.9	177.2	7.1	202.0	8.3
	45	89.1	3.4	108.3	4.2	126.4	5.0	151.2	6.1	177.2	7.3	202.0	8.5
	50	89.1	3.5	108.3	4.3	126.4	5.1	151.2	6.2	177.2	7.5	202.0	8.7
	55	89.1	3.6	108.3	4.4	126.4	5.3	151.2	6.4	177.2	7.7	202.0	9.0
	60	89.1	3.7	108.3	4.6	126.4	5.4	151.2	6.6	177.2	7.9	202.0	9.2
	65	89.1	3.8	108.3	4.7	126.4	5.5	151.2	6.8	177.2	8.1	202.0	9.5
	70	89.1	4.2	108.3	5.1	126.4	6.0	151.2	7.4	177.2	8.8	202.0	10.3
	75	89.1	4.6	108.3	5.6	126.4	6.6	151.2	8.1	177.2	9.7	202.0	11.3
	80	89.1	5.0	108.3	6.2	126.4	7.3	151.2	8.9	177.2	10.6	202.0	12.4
	85	89.1	5.5	108.3	6.8	126.4	8.0	151.2	9.7	177.2	11.6	202.0	13.6
	90	89.1	6.0	108.3	7.4	126.4	8.7	151.2	10.7	177.2	12.8	202.0	14.9
	95	89.1	6.6	108.3	8.1	126.4	9.5	151.2	11.6	177.2	13.9	202.0	16.3
100	89.1	7.2	108.3	8.8	126.4	10.4	151.2	12.6	177.2	15.2	202.0	17.7	
105	89.1	7.7	108.3	9.5	126.4	11.2	151.2	13.7	177.2	16.4	202.0	19.1	
110	89.1	8.3	108.3	10.2	126.4	12.0	151.2	14.6	177.2	17.5	201.8	20.4	
115	89.1	8.7	108.3	10.7	126.4	12.7	151.2	15.5	175.1	18.3	188.0	20.0	
118	89.1	9.0	108.3	11.0	126.4	13.0	151.2	15.9	165.2	17.7	170.7	18.7	
125	87.4	9.2	101.2	10.7	108.2	11.6	112.4	12.2	115.8	12.9	118.0	13.4	
60%	-10	76.4	2.3	92.8	2.8	108.3	3.3	129.6	4.0	151.8	4.8	173.1	5.6
	-5	76.4	2.4	92.8	3.0	108.3	3.5	129.6	4.3	151.8	5.1	173.1	6.0
	10	76.4	2.5	92.8	3.0	108.3	3.6	129.6	4.4	151.8	5.2	173.1	6.1
	15	76.4	2.5	92.8	3.1	108.3	3.7	129.6	4.5	151.8	5.4	173.1	6.2
	20	76.4	2.6	92.8	3.2	108.3	3.7	129.6	4.6	151.8	5.5	173.1	6.4
	25	76.4	2.6	92.8	3.2	108.3	3.8	129.6	4.7	151.8	5.6	173.1	6.5
	30	76.4	2.7	92.8	3.3	108.3	3.9	129.6	4.8	151.8	5.7	173.1	6.7
	35	76.4	2.8	92.8	3.4	108.3	4.0	129.6	4.9	151.8	5.9	173.1	6.8
	40	76.4	2.8	92.8	3.5	108.3	4.1	129.6	5.0	151.8	6.0	173.1	7.0
	45	76.4	2.9	92.8	3.6	108.3	4.2	129.6	5.1	151.8	6.2	173.1	7.2
	50	76.4	3.0	92.8	3.7	108.3	4.3	129.6	5.3	151.8	6.3	173.1	7.4
	55	76.4	3.1	92.8	3.8	108.3	4.4	129.6	5.4	151.8	6.5	173.1	7.6
	60	76.4	3.1	92.8	3.9	108.3	4.6	129.6	5.6	151.8	6.7	173.1	7.8
	65	76.4	3.2	92.8	4.0	108.3	4.7	129.6	5.7	151.8	6.8	173.1	8.0
	70	76.4	3.5	92.8	4.3	108.3	5.1	129.6	6.2	151.8	7.4	173.1	8.7
	75	76.4	3.9	92.8	4.7	108.3	5.6	129.6	6.8	151.8	8.2	173.1	9.5
	80	76.4	4.2	92.8	5.2	108.3	6.1	129.6	7.5	151.8	9.0	173.1	10.5
	85	76.4	4.6	92.8	5.7	108.3	6.7	129.6	8.2	151.8	9.8	173.1	11.5
	90	76.4	5.1	92.8	6.3	108.3	7.4	129.6	9.0	151.8	10.8	173.1	12.6
	95	76.4	5.6	92.8	6.8	108.3	8.1	129.6	9.8	151.8	11.8	173.1	13.8
100	76.4	6.0	92.8	7.4	108.3	8.8	129.6	10.7	151.8	12.8	173.1	14.9	
105	76.4	6.5	92.8	8.0	108.3	9.5	129.6	11.5	151.8	13.8	173.1	16.1	
110	76.4	7.0	92.8	8.6	108.3	10.1	129.6	12.3	151.8	14.8	173.1	17.3	
115	76.4	7.4	92.8	9.1	108.3	10.7	129.6	13.1	151.8	15.7	173.1	18.3	
118	76.4	7.6	92.8	9.3	108.3	11.0	129.6	13.4	151.8	16.1	165.1	17.9	
125	76.4	7.9	92.8	9.7	103.0	10.9	112.4	12.1	115.8	12.7	118.0	13.3	

NOTE - Power Input = Compressor + Outdoor Fan Motor.
 MBH = 1000 BTUs per hour.

COOLING CAPACITY - TWO MODULE | VPB216L4

Combination (%)	Outdoor Temperature °F (Dry Bulb)	Indoor Temperature - °F (Dry Bulb / Wet Bulb)											
		67 / 57		71 / 60		75 / 63		80 / 67		85 / 71		90 / 75	
		Total Cap.	Power Input	Total Cap.	Power Input	Total Cap.	Power Input	Total Cap.	Power Input	Total Cap.	Power Input	Total Cap.	Power Input
		MBH	kW	MBH	kW	MBH	kW	MBH	kW	MBH	kW	MBH	kW
50%	-10	59.9	1.8	77.4	2.3	90.3	2.7	108.0	3.3	126.5	4.0	144.3	4.6
	-5	63.7	2.0	77.4	2.4	90.3	2.9	108.0	3.5	126.5	4.2	144.3	4.9
	10	63.7	2.0	77.4	2.5	90.3	2.9	108.0	3.6	126.5	4.3	144.3	5.0
	15	63.7	2.1	77.4	2.6	90.3	3.0	108.0	3.7	126.5	4.4	144.3	5.1
	20	63.7	2.1	77.4	2.6	90.3	3.1	108.0	3.7	126.5	4.5	144.3	5.2
	25	63.7	2.2	77.4	2.7	90.3	3.1	108.0	3.8	126.5	4.6	144.3	5.4
	30	63.7	2.2	77.4	2.7	90.3	3.2	108.0	3.9	126.5	4.7	144.3	5.5
	35	63.7	2.3	77.4	2.8	90.3	3.3	108.0	4.0	126.5	4.8	144.3	5.6
	40	63.7	2.3	77.4	2.9	90.3	3.4	108.0	4.1	126.5	4.9	144.3	5.8
	45	63.7	2.4	77.4	2.9	90.3	3.5	108.0	4.2	126.5	5.1	144.3	5.9
	50	63.7	2.4	77.4	3.0	90.3	3.6	108.0	4.3	126.5	5.2	144.3	6.1
	55	63.7	2.5	77.4	3.1	90.3	3.6	108.0	4.4	126.5	5.3	144.3	6.2
	60	63.7	2.6	77.4	3.2	90.3	3.7	108.0	4.6	126.5	5.5	144.3	6.4
	65	63.7	2.7	77.4	3.3	90.3	3.9	108.0	4.7	126.5	5.6	144.3	6.6
	70	63.7	2.9	77.4	3.5	90.3	4.2	108.0	5.1	126.5	6.1	144.3	7.1
	75	63.7	3.2	77.4	3.9	90.3	4.6	108.0	5.6	126.5	6.7	144.3	7.8
	80	63.7	3.5	77.4	4.3	90.3	5.0	108.0	6.2	126.5	7.4	144.3	8.6
	85	63.7	3.8	77.4	4.7	90.3	5.5	108.0	6.8	126.5	8.1	144.3	9.4
	90	63.7	4.2	77.4	5.1	90.3	6.1	108.0	7.4	126.5	8.9	144.3	10.3
	95	63.7	4.6	77.4	5.6	90.3	6.6	108.0	8.1	126.5	9.7	144.3	11.3
100	63.7	5.0	77.4	6.1	90.3	7.2	108.0	8.8	126.5	10.5	144.3	12.3	
105	63.7	5.4	77.4	6.6	90.3	7.8	108.0	9.5	126.5	11.4	144.3	13.3	
110	63.7	5.7	77.4	7.1	90.3	8.3	108.0	10.1	126.5	12.2	144.3	14.2	
115	63.7	6.1	77.4	7.5	90.3	8.8	108.0	10.7	126.5	12.9	144.3	15.0	
118	63.7	6.2	77.4	7.7	90.3	9.1	108.0	11.0	126.5	13.2	144.3	15.4	
125	63.7	6.5	77.4	8.0	90.3	9.4	105.0	11.2	114.9	12.4	118.0	13.1	

NOTE - Power Input = Compressor + Outdoor Fan Motor.
 MBH = 1000 BTUs per hour.

HEATING CAPACITY - TWO MODULE | VPB216L4

Combination (%)	Outdoor Temperature (°F)		Indoor Temperature - °F Dry Bulb											
			61		64		67		70		73		75	
	Dry Bulb	Wet Bulb	Total Cap. MBH	Power Input kW	Total Cap. MBH	Power Input kW	Total Cap. MBH	Power Input kW	Total Cap. MBH	Power Input kW	Total Cap. MBH	Power Input kW	Total Cap. MBH	Power Input kW
130%	-22	-23	159.7	23.8	156.3	24.5	153.4	25.2	150.5	26.0	147.9	26.8	146.3	27.3
	-17	-18	192.0	25.7	188.6	26.4	185.6	27.1	182.6	27.8	179.9	28.6	178.3	29.1
	-13	-14	218.2	27.1	216.2	27.9	214.4	28.7	212.6	29.6	210.9	30.5	209.9	31.1
	-8	-9	230.1	27.9	228.9	28.8	227.8	29.6	226.7	30.6	225.7	31.5	225.1	32.2
	-3	-4	240.3	28.5	239.4	29.4	238.5	30.3	237.6	31.2	236.8	32.2	236.3	32.9
	2	1	250.4	29.3	249.4	30.2	248.5	31.1	247.5	32.1	246.6	33.1	246.0	33.8
	7	6	261.7	29.4	260.6	30.3	259.5	31.2	258.3	32.2	257.2	33.2	256.5	33.8
	12	10	272.1	29.6	270.7	30.5	269.5	31.4	268.2	32.3	266.9	33.3	266.1	34.0
	17	15	286.7	29.9	285.2	30.9	283.8	31.7	282.3	32.7	280.9	33.7	279.4	34.0
	22	20	302.4	30.4	300.6	31.3	299.0	32.2	297.4	33.2	295.9	33.6	283.0	31.7
	27	24	316.6	30.9	314.7	31.8	313.0	32.7	309.8	33.1	295.9	31.2	283.0	29.3
	32	29	334.4	31.6	332.3	32.5	328.6	32.6	315.9	31.1	295.9	28.3	283.0	26.5
	37	34	353.8	32.4	348.0	32.2	335.9	30.7	315.9	28.0	295.9	25.4	283.0	24.0
	42	38	366.3	32.0	354.7	30.8	335.9	28.3	315.9	25.7	295.9	23.6	283.0	22.3
	47	43	374.6	30.2	354.7	27.6	335.9	25.3	315.9	23.3	295.9	21.4	283.0	20.3
	52	47	374.6	27.7	354.7	25.3	335.9	23.4	315.9	21.6	295.9	20.0	283.0	18.9
	57	52	374.6	24.7	354.7	22.9	335.9	21.3	315.9	19.7	295.9	18.2	283.0	17.2
	62	56	374.6	22.9	354.7	21.2	335.9	19.8	315.9	18.3	295.9	16.8	283.0	16.0
	67	61	374.6	20.8	354.7	19.3	335.9	17.9	315.9	16.6	295.9	15.3	283.0	14.5
	72	66	374.6	18.8	354.7	17.5	335.9	16.2	315.9	15.0	295.9	13.9	283.0	13.2
75	69	374.6	17.7	354.7	16.4	335.9	15.2	315.9	14.2	295.9	13.1	283.0	12.5	
80	74	374.6	16.0	354.7	14.9	335.9	13.9	315.9	12.9	295.9	12.0	283.0	11.4	
120%	-22	-23	157.6	24.1	154.4	24.9	151.6	25.6	148.8	26.3	146.3	27.2	144.8	27.7
	-17	-18	189.2	26.1	185.9	26.8	183.1	27.5	180.3	28.2	177.7	29.0	176.2	29.6
	-13	-14	216.0	27.6	214.1	28.4	212.3	29.2	210.7	30.1	209.1	31.0	208.2	31.6
	-8	-9	228.4	28.5	227.2	29.4	226.2	30.2	225.2	31.2	224.2	32.2	223.6	32.8
	-3	-4	238.8	29.1	237.8	30.0	237.0	30.9	236.2	31.9	235.4	32.9	234.8	33.6
	2	1	248.8	30.0	247.8	30.9	246.9	31.8	245.9	32.8	245.0	33.8	244.2	34.5
	7	6	259.9	30.1	258.8	31.0	257.7	31.9	256.6	32.9	255.5	33.9	256.7	34.8
	12	10	270.1	30.3	268.8	31.2	267.6	32.1	266.3	33.1	267.4	34.4	261.2	33.6
	17	15	284.6	30.7	283.1	31.6	281.7	32.5	280.2	33.5	273.2	32.7	261.2	30.9
	22	20	300.0	31.2	298.3	32.1	296.7	33.0	291.6	32.7	273.2	30.0	261.2	28.3
	27	24	314.0	31.7	312.1	32.7	310.0	32.8	291.6	30.2	273.2	27.6	261.2	26.0
	32	29	333.5	32.5	327.4	32.3	310.0	29.9	291.6	27.4	273.2	25.0	261.2	23.7
	37	34	345.8	31.6	327.4	29.2	310.0	26.9	291.6	24.7	273.2	22.7	261.2	21.5
	42	38	345.8	29.1	327.4	26.8	310.0	24.7	291.6	22.9	273.2	21.1	261.2	20.1
	47	43	345.8	26.1	327.4	24.1	310.0	22.4	291.6	20.8	273.2	19.3	261.2	18.3
	52	47	345.8	24.0	327.4	22.3	310.0	20.8	291.6	19.3	273.2	17.9	261.2	17.0
	57	52	345.8	21.8	327.4	20.3	310.0	19.0	291.6	17.6	273.2	16.3	261.2	15.5
	62	56	345.8	20.2	327.4	18.8	310.0	17.6	291.6	16.3	273.2	15.1	261.2	14.4
	67	61	345.8	18.3	327.4	17.0	310.0	15.9	291.6	14.8	273.2	13.8	261.2	13.1
	72	66	345.8	16.5	327.4	15.4	310.0	14.4	291.6	13.5	273.2	12.5	261.2	11.9
75	69	345.8	15.5	327.4	14.5	310.0	13.6	291.6	12.7	273.2	11.8	261.2	11.3	
80	74	345.8	14.1	327.4	13.2	310.0	12.4	291.6	11.6	273.2	10.8	261.2	10.4	

NOTE - Power Input = Compressor + Outdoor Fan Motor.
 MBH = 1000 BTUs per hour.

HEATING CAPACITY - TWO MODULE | VPB216L4

Combination (%)	Outdoor Temperature (°F)		Indoor Temperature - °F Dry Bulb											
			61		64		67		70		73		75	
	Dry Bulb	Wet Bulb	Total Cap. MBH	Power Input kW	Total Cap. MBH	Power Input kW	Total Cap. MBH	Power Input kW	Total Cap. MBH	Power Input kW	Total Cap. MBH	Power Input kW	Total Cap. MBH	Power Input kW
110%	-22	-23	155.2	24.5	152.2	25.2	149.6	26.0	147.0	26.8	144.7	27.6	143.2	28.1
	-17	-18	186.3	26.5	183.2	27.2	180.5	27.9	177.9	28.7	175.4	29.5	174.0	30.1
	-13	-14	213.7	28.2	211.9	29.1	210.3	29.9	208.7	30.7	207.3	31.7	206.4	32.3
	-8	-9	226.6	29.2	225.5	30.1	224.6	31.0	223.6	31.9	222.7	32.9	222.2	33.6
	-3	-4	237.2	29.9	236.3	30.8	235.5	31.7	234.7	32.7	233.9	33.7	231.7	34.0
	2	1	247.1	30.7	246.1	31.7	245.3	32.6	244.3	33.7	242.6	34.5	239.5	34.2
	7	6	258.1	30.9	256.9	31.8	255.9	32.8	254.8	33.8	250.4	33.5	239.5	32.0
	12	10	268.1	31.1	266.8	32.1	265.6	33.0	267.3	34.2	250.4	31.6	239.5	30.1
	17	15	282.3	31.6	280.8	32.5	279.4	33.1	267.3	31.5	250.4	29.0	239.5	27.5
	22	20	297.4	32.1	294.8	32.5	284.2	31.2	267.3	28.8	250.4	26.4	239.5	25.1
	27	24	310.2	32.1	300.1	31.0	284.2	28.8	267.3	26.5	250.4	24.4	239.5	23.2
	32	29	317.0	30.4	300.1	28.1	284.2	26.0	267.3	24.1	250.4	22.3	239.5	21.2
	37	34	317.0	27.3	300.1	25.2	284.2	23.5	267.3	21.8	250.4	20.3	239.5	19.3
	42	38	317.0	25.0	300.1	23.3	284.2	21.8	267.3	20.3	250.4	18.9	239.5	18.0
	47	43	317.0	22.7	300.1	21.2	284.2	19.9	267.3	18.5	250.4	17.2	239.5	16.4
	52	47	317.0	21.0	300.1	19.7	284.2	18.4	267.3	17.2	250.4	16.0	239.5	15.3
	57	52	317.0	19.1	300.1	17.9	284.2	16.7	267.3	15.6	250.4	14.6	239.5	13.9
	62	56	317.0	17.7	300.1	16.5	284.2	15.5	267.3	14.5	250.4	13.6	239.5	12.9
	67	61	317.0	16.0	300.1	15.0	284.2	14.1	267.3	13.2	250.4	12.3	239.5	11.8
	72	66	317.0	14.5	300.1	13.6	284.2	12.8	267.3	12.0	250.4	11.2	239.5	10.7
75	69	317.0	13.6	300.1	12.8	284.2	12.1	267.3	11.3	250.4	10.6	239.5	10.1	
80	74	317.0	12.4	300.1	11.7	284.2	11.0	267.3	10.4	250.4	9.8	239.5	9.5	
100%	-22	-23	152.5	25.0	149.7	25.7	147.3	26.4	144.9	27.2	142.7	28.1	141.4	28.6
	-17	-18	183.2	27.0	180.3	27.8	177.8	28.5	175.3	29.3	173.1	30.1	171.7	30.7
	-13	-14	211.4	28.9	209.7	29.8	208.2	30.6	206.7	31.5	205.4	32.5	204.6	33.1
	-8	-9	224.9	30.0	223.8	30.9	222.9	31.9	222.0	32.9	223.2	34.2	217.7	33.6
	-3	-4	235.6	30.8	234.7	31.7	234.0	32.7	233.2	33.7	227.6	33.3	217.7	32.0
	2	1	245.4	31.7	244.4	32.7	243.6	33.7	243.0	34.3	227.6	32.1	217.7	30.8
	7	6	256.1	31.9	255.0	32.9	255.2	33.9	243.0	32.1	227.6	29.9	217.7	28.5
	12	10	265.9	32.2	266.8	33.4	258.4	32.3	243.0	30.2	227.6	28.0	217.7	26.6
	17	15	281.2	32.7	272.8	31.7	258.4	29.7	243.0	27.6	227.6	25.5	217.7	24.4
	22	20	288.2	31.2	272.8	29.1	258.4	27.1	243.0	25.1	227.6	23.4	217.7	22.2
	27	24	288.2	28.8	272.8	26.8	258.4	24.9	243.0	23.2	227.6	21.6	217.7	20.6
	32	29	288.2	26.0	272.8	24.2	258.4	22.7	243.0	21.2	227.6	19.8	217.7	18.8
	37	34	288.2	23.5	272.8	22.0	258.4	20.6	243.0	19.3	227.6	18.0	217.7	17.2
	42	38	288.2	21.7	272.8	20.4	258.4	19.2	243.0	18.0	227.6	16.7	217.7	16.1
	47	43	288.2	19.8	272.8	18.6	258.4	17.5	243.0	16.3	227.6	15.3	217.7	14.7
	52	47	288.2	18.3	272.8	17.2	258.4	16.2	243.0	15.2	227.6	14.3	217.7	13.7
	57	52	288.2	16.7	272.8	15.6	258.4	14.8	243.0	13.9	227.6	13.0	217.7	12.5
	62	56	288.2	15.4	272.8	14.5	258.4	13.7	243.0	12.9	227.6	12.1	217.7	11.6
	67	61	288.2	14.0	272.8	13.2	258.4	12.5	243.0	11.7	227.6	11.0	217.7	10.5
	72	66	288.2	12.7	272.8	12.0	258.4	11.3	243.0	10.6	227.6	10.0	217.7	9.7
75	69	288.2	11.9	272.8	11.3	258.4	10.7	243.0	10.1	227.6	9.6	217.7	9.2	
80	74	288.2	10.9	272.8	10.3	258.4	9.8	243.0	9.4	227.6	8.9	217.7	8.5	

NOTE - Power Input = Compressor + Outdoor Fan Motor.
 MBH = 1000 BTUs per hour.

HEATING CAPACITY - TWO MODULE | VPB216L4

Combination (%)	Outdoor Temperature (°F)		Indoor Temperature - °F Dry Bulb											
			61		64		67		70		73		75	
	Dry Bulb	Wet Bulb	Total Cap. MBH	Power Input kW	Total Cap. MBH	Power Input kW	Total Cap. MBH	Power Input kW	Total Cap. MBH	Power Input kW	Total Cap. MBH	Power Input kW	Total Cap. MBH	Power Input kW
90%	-22	-23	149.7	25.5	147.1	26.3	144.8	27.0	142.6	27.8	140.6	28.7	139.4	29.2
	-17	-18	179.9	27.7	177.2	28.4	174.9	29.2	172.7	30.0	170.6	30.9	169.4	31.4
	-13	-14	208.9	29.8	207.4	30.7	206.0	31.6	204.7	32.5	204.9	33.6	195.9	32.6
	-8	-9	223.1	31.1	222.1	32.0	221.3	33.0	218.7	33.3	204.9	31.6	195.9	30.5
	-3	-4	233.9	31.9	233.1	32.9	232.5	33.5	218.7	31.6	204.9	29.9	195.9	28.8
	2	1	243.6	32.9	245.5	34.1	232.5	32.3	218.7	30.4	204.9	28.6	195.9	27.4
	7	6	255.4	33.2	245.5	31.9	232.5	30.1	218.7	28.2	204.9	26.4	195.9	25.3
	12	10	259.4	31.9	245.5	30.0	232.5	28.2	218.7	26.3	204.9	24.7	195.9	23.7
	17	15	259.4	29.3	245.5	27.4	232.5	25.7	218.7	24.1	204.9	22.5	195.9	21.5
	22	20	259.4	26.7	245.5	24.9	232.5	23.5	218.7	22.0	204.9	20.5	195.9	19.7
	27	24	259.4	24.5	245.5	23.0	232.5	21.7	218.7	20.3	204.9	19.0	195.9	18.2
	32	29	259.4	22.3	245.5	21.0	232.5	19.8	218.7	18.6	204.9	17.4	195.9	16.7
	37	34	259.4	20.2	245.5	19.1	232.5	18.0	218.7	16.9	204.9	16.0	195.9	15.3
	42	38	259.4	18.8	245.5	17.7	232.5	16.8	218.7	15.8	204.9	14.9	195.9	14.3
	47	43	259.4	17.1	245.5	16.1	232.5	15.3	218.7	14.5	204.9	13.6	195.9	13.1
	52	47	259.4	15.9	245.5	15.0	232.5	14.3	218.7	13.5	204.9	12.7	195.9	12.2
	57	52	259.4	14.4	245.5	13.7	232.5	13.0	218.7	12.2	204.9	11.5	195.9	11.0
	62	56	259.4	13.4	245.5	12.7	232.5	12.0	218.7	11.3	204.9	10.7	195.9	10.2
	67	61	259.4	12.2	245.5	11.5	232.5	10.9	218.7	10.3	204.9	9.8	195.9	9.4
	72	66	259.4	11.0	245.5	10.4	232.5	9.9	218.7	9.5	204.9	9.0	195.9	8.6
75	69	259.4	10.4	245.5	9.9	232.5	9.5	218.7	9.0	204.9	8.5	195.9	8.2	
80	74	259.4	9.5	245.5	9.2	232.5	8.8	218.7	8.3	204.9	7.9	195.9	7.6	
80%	-22	-23	146.7	26.2	144.3	27.0	142.2	27.7	140.2	28.6	138.4	29.4	137.3	30.0
	-17	-18	176.3	28.5	174.0	29.3	171.9	30.1	169.9	30.9	168.0	31.8	166.9	32.4
	-13	-14	206.3	31.0	204.9	31.9	206.7	33.2	194.4	31.8	182.1	30.5	174.2	29.6
	-8	-9	221.2	32.4	218.2	32.6	206.7	31.2	194.4	29.8	182.1	28.4	174.2	27.5
	-3	-4	230.5	32.5	218.2	31.0	206.7	29.6	194.4	28.1	182.1	26.6	174.2	25.8
	2	1	230.5	31.3	218.2	29.8	206.7	28.3	194.4	26.7	182.1	25.4	174.2	24.5
	7	6	230.5	29.2	218.2	27.6	206.7	26.1	194.4	24.7	182.1	23.3	174.2	22.4
	12	10	230.5	27.3	218.2	25.7	206.7	24.4	194.4	23.0	182.1	21.7	174.2	20.8
	17	15	230.5	24.8	218.2	23.5	206.7	22.2	194.4	20.9	182.1	19.7	174.2	18.9
	22	20	230.5	22.7	218.2	21.4	206.7	20.3	194.4	19.1	182.1	18.0	174.2	17.2
	27	24	230.5	20.9	218.2	19.8	206.7	18.8	194.4	17.7	182.1	16.7	174.2	16.1
	32	29	230.5	19.1	218.2	18.1	206.7	17.2	194.4	16.2	182.1	15.4	174.2	14.8
	37	34	230.5	17.4	218.2	16.5	206.7	15.7	194.4	14.9	182.1	14.1	174.2	13.6
	42	38	230.5	16.2	218.2	15.4	206.7	14.7	194.4	13.9	182.1	13.2	174.2	12.7
	47	43	230.5	14.8	218.2	14.1	206.7	13.4	194.4	12.7	182.1	12.0	174.2	11.5
	52	47	230.5	13.7	218.2	13.1	206.7	12.4	194.4	11.8	182.1	11.1	174.2	10.7
	57	52	230.5	12.5	218.2	11.9	206.7	11.3	194.4	10.7	182.1	10.1	174.2	9.8
	62	56	230.5	11.6	218.2	11.0	206.7	10.4	194.4	9.9	182.1	9.4	174.2	9.1
	67	61	230.5	10.5	218.2	10.0	206.7	9.5	194.4	9.1	182.1	8.6	174.2	8.3
	72	66	230.5	9.5	218.2	9.2	206.7	8.8	194.4	8.3	182.1	7.9	174.2	7.7
75	69	230.5	9.1	218.2	8.7	206.7	8.3	194.4	7.9	182.1	7.6	174.2	7.4	
80	74	230.5	8.4	218.2	8.0	206.7	7.7	194.4	7.4	182.1	7.0	174.2	6.8	

NOTE - Power Input = Compressor + Outdoor Fan Motor.
 MBH = 1000 BTUs per hour.

HEATING CAPACITY - TWO MODULE | VPB216L4

Combination (%)	Outdoor Temperature (°F)		Indoor Temperature - °F Dry Bulb											
			61		64		67		70		73		75	
	Dry Bulb	Wet Bulb	Total Cap. MBH	Power Input kW	Total Cap. MBH	Power Input kW	Total Cap. MBH	Power Input kW	Total Cap. MBH	Power Input kW	Total Cap. MBH	Power Input kW	Total Cap. MBH	Power Input kW
70%	-22	-23	143.4	27.1	141.3	27.9	139.4	28.7	137.6	29.5	136.0	30.4	135.0	31.0
	-17	-18	172.5	29.6	170.4	30.4	168.6	31.2	167.3	32.2	159.4	31.9	152.4	31.3
	-13	-14	201.7	31.9	191.0	30.7	180.8	29.7	170.1	28.6	159.4	27.7	152.4	27.1
	-8	-9	201.7	29.9	191.0	28.7	180.8	27.6	170.1	26.6	159.4	25.6	152.4	24.9
	-3	-4	201.7	28.2	191.0	27.0	180.8	25.9	170.1	24.9	159.4	23.8	152.4	23.1
	2	1	201.7	26.9	191.0	25.7	180.8	24.6	170.1	23.5	159.4	22.3	152.4	21.6
	7	6	201.7	24.8	191.0	23.7	180.8	22.6	170.1	21.4	159.4	20.3	152.4	19.5
	12	10	201.7	23.2	191.0	22.1	180.8	21.0	170.1	19.9	159.4	18.8	152.4	18.0
	17	15	201.7	21.1	191.0	20.0	180.8	19.1	170.1	18.0	159.4	17.0	152.4	16.4
	22	20	201.7	19.2	191.0	18.3	180.8	17.4	170.1	16.5	159.4	15.7	152.4	15.2
	27	24	201.7	17.8	191.0	16.9	180.8	16.1	170.1	15.4	159.4	14.6	152.4	14.1
	32	29	201.7	16.2	191.0	15.5	180.8	14.9	170.1	14.2	159.4	13.5	152.4	13.0
	37	34	201.7	14.9	191.0	14.2	180.8	13.6	170.1	13.0	159.4	12.3	152.4	11.9
	42	38	201.7	13.9	191.0	13.3	180.8	12.7	170.1	12.1	159.4	11.5	152.4	11.1
	47	43	201.7	12.7	191.0	12.1	180.8	11.6	170.1	11.0	159.4	10.4	152.4	10.1
	52	47	201.7	11.7	191.0	11.2	180.8	10.7	170.1	10.2	159.4	9.7	152.4	9.4
	57	52	201.7	10.6	191.0	10.1	180.8	9.7	170.1	9.3	159.4	8.8	152.4	8.5
	62	56	201.7	9.8	191.0	9.5	180.8	9.1	170.1	8.6	159.4	8.2	152.4	7.9
	67	61	201.7	9.0	191.0	8.6	180.8	8.2	170.1	7.8	159.4	7.6	152.4	7.3
	72	66	201.7	8.2	191.0	7.9	180.8	7.6	170.1	7.3	159.4	7.0	152.4	6.7
75	69	201.7	7.8	191.0	7.5	180.8	7.3	170.1	7.0	159.4	6.7	152.4	6.5	
80	74	201.7	7.3	191.0	7.2	180.8	6.8	170.1	6.5	159.4	6.2	152.4	5.9	
60%	-22	-23	139.8	28.3	137.9	29.1	136.4	29.9	134.8	30.8	133.5	31.8	130.6	32.0
	-17	-18	169.3	31.3	163.7	31.3	155.0	30.7	145.8	29.9	136.6	29.2	130.6	28.6
	-13	-14	172.9	28.0	163.7	27.3	155.0	26.6	145.8	25.9	136.6	25.1	130.6	24.6
	-8	-9	172.9	26.0	163.7	25.3	155.0	24.5	145.8	23.7	136.6	22.9	130.6	22.3
	-3	-4	172.9	24.4	163.7	23.5	155.0	22.7	145.8	21.8	136.6	20.9	130.6	20.3
	2	1	172.9	23.0	163.7	22.1	155.0	21.3	145.8	20.3	136.6	19.2	130.6	18.5
	7	6	172.9	21.0	163.7	20.1	155.0	19.2	145.8	18.3	136.6	17.3	130.6	16.7
	12	10	172.9	19.5	163.7	18.6	155.0	17.8	145.8	16.9	136.6	16.0	130.6	15.5
	17	15	172.9	17.7	163.7	16.9	155.0	16.2	145.8	15.4	136.6	14.7	130.6	14.3
	22	20	172.9	16.1	163.7	15.5	155.0	14.9	145.8	14.2	136.6	13.6	130.6	13.2
	27	24	172.9	15.0	163.7	14.4	155.0	13.9	145.8	13.3	136.6	12.7	130.6	12.3
	32	29	172.9	13.8	163.7	13.3	155.0	12.8	145.8	12.2	136.6	11.7	130.6	11.3
	37	34	172.9	12.7	163.7	12.1	155.0	11.7	145.8	11.1	136.6	10.6	130.6	10.3
	42	38	172.9	11.8	163.7	11.3	155.0	10.8	145.8	10.3	136.6	9.9	130.6	9.6
	47	43	172.9	10.7	163.7	10.2	155.0	9.9	145.8	9.5	136.6	9.0	130.6	8.7
	52	47	172.9	9.9	163.7	9.6	155.0	9.2	145.8	8.7	136.6	8.3	130.6	8.1
	57	52	172.9	9.1	163.7	8.7	155.0	8.3	145.8	7.9	136.6	7.6	130.6	7.3
	62	56	172.9	8.4	163.7	8.0	155.0	7.7	145.8	7.4	136.6	7.1	130.6	6.8
	67	61	172.9	7.6	163.7	7.4	155.0	7.1	145.8	6.8	136.6	6.5	130.6	6.3
	72	66	172.9	7.1	163.7	6.8	155.0	6.6	145.8	6.3	136.6	6.0	130.6	5.8
75	69	172.9	6.8	163.7	6.5	155.0	6.3	145.8	6.1	136.6	5.8	130.6	5.7	
80	74	172.9	6.4	163.7	6.1	155.0	5.8	145.8	5.5	136.6	5.3	130.6	5.1	

NOTE - Power Input = Compressor + Outdoor Fan Motor.
 MBH = 1000 BTUs per hour.

HEATING CAPACITY - TWO MODULE | VPB216L4

Combination (%)	Outdoor Temperature (°F)		Indoor Temperature - °F Dry Bulb											
			61		64		67		70		73		75	
	Dry Bulb	Wet Bulb	Total Cap.	Power Input	Total Cap.	Power Input	Total Cap.	Power Input	Total Cap.	Power Input	Total Cap.	Power Input	Total Cap.	Power Input
50%	-22	-23	135.8	30.0	136.4	31.4	129.2	30.9	121.5	30.4	113.8	29.8	108.9	29.4
	-17	-18	144.1	28.7	136.4	28.2	129.2	27.6	121.5	27.0	113.8	26.4	108.9	26.0
	-13	-14	144.1	24.8	136.4	24.2	129.2	23.7	121.5	23.1	113.8	22.5	108.9	22.0
	-8	-9	144.1	22.7	136.4	22.0	129.2	21.4	121.5	20.8	113.8	20.1	108.9	19.3
	-3	-4	144.1	20.8	136.4	20.1	129.2	19.4	121.5	18.5	113.8	17.6	108.9	16.9
	2	1	144.1	19.3	136.4	18.5	129.2	17.7	121.5	16.9	113.8	15.9	108.9	15.4
	7	6	144.1	17.3	136.4	16.6	129.2	15.9	121.5	15.2	113.8	14.5	108.9	14.0
	12	10	144.1	16.0	136.4	15.4	129.2	14.8	121.5	14.2	113.8	13.6	108.9	13.2
	17	15	144.1	14.7	136.4	14.1	129.2	13.6	121.5	13.1	113.8	12.5	108.9	12.2
	22	20	144.1	13.5	136.4	13.0	129.2	12.6	121.5	12.1	113.8	11.6	108.9	11.3
	27	24	144.1	12.6	136.4	12.1	129.2	11.7	121.5	11.3	113.8	10.8	108.9	10.5
	32	29	144.1	11.6	136.4	11.2	129.2	10.8	121.5	10.3	113.8	10.0	108.9	9.7
	37	34	144.1	10.5	136.4	10.2	129.2	9.8	121.5	9.5	113.8	9.1	108.9	8.8
	42	38	144.1	9.8	136.4	9.5	129.2	9.1	121.5	8.8	113.8	8.4	108.9	8.2
	47	43	144.1	8.9	136.4	8.6	129.2	8.3	121.5	8.0	113.8	7.6	108.9	7.4
	52	47	144.1	8.2	136.4	7.9	129.2	7.7	121.5	7.4	113.8	7.0	108.9	6.8
	57	52	144.1	7.5	136.4	7.3	129.2	7.0	121.5	6.7	113.8	6.3	108.9	6.1
62	56	144.1	7.0	136.4	6.7	129.2	6.5	121.5	6.2	113.8	5.9	108.9	5.7	
67	61	144.1	6.4	136.4	6.1	129.2	5.9	121.5	5.7	113.8	5.4	108.9	5.3	
72	66	144.1	5.9	136.4	5.7	129.2	5.5	121.5	5.3	113.8	5.1	108.9	5.0	
75	69	144.1	5.7	136.4	5.5	129.2	5.3	121.5	5.2	113.8	5.0	108.9	4.9	
80	74	144.1	5.4	136.4	5.1	129.2	4.9	121.5	4.7	113.8	4.5	108.9	4.2	

NOTE - Power Input = Compressor + Outdoor Fan Motor.
 MBH = 1000 BTUs per hour.

COOLING CAPACITY - TWO MODULE | VPB240L4

Combination (%)	Outdoor Temperature °F (Dry Bulb)	Indoor Temperature - °F (Dry Bulb / Wet Bulb)											
		67 / 57		71 / 60		75 / 63		80 / 67		85 / 71		90 / 75	
		Total Cap.	Power Input	Total Cap.	Power Input	Total Cap.	Power Input	Total Cap.	Power Input	Total Cap.	Power Input	Total Cap.	Power Input
		MBH	KW	MBH	KW	MBH	KW	MBH	KW	MBH	KW	MBH	KW
130%	-10	183.9	6.6	223.5	8.1	260.8	9.6	312.0	11.7	365.6	14.0	401.8	15.7
	-5	183.9	7.0	223.5	8.6	260.8	10.2	312.0	12.4	365.6	14.9	380.8	15.8
	10	183.9	7.2	223.5	8.8	260.8	10.4	312.0	12.7	365.6	15.2	373.4	15.9
	15	183.9	7.3	223.5	9.0	260.8	10.6	312.0	12.9	360.4	15.3	365.2	15.9
	20	183.9	7.5	223.5	9.2	260.8	10.9	312.0	13.2	352.1	15.3	356.9	15.8
	25	183.9	7.6	223.5	9.4	260.8	11.1	312.0	13.5	343.4	15.2	348.2	15.8
	30	183.9	7.8	223.5	9.6	260.8	11.4	312.0	13.8	335.1	15.2	339.9	15.8
	35	183.9	8.0	223.5	9.9	260.8	11.6	312.0	14.2	327.2	15.2	332.0	15.8
	40	183.9	8.2	223.5	10.1	260.8	11.9	312.0	14.5	322.2	15.3	327.0	15.9
	45	183.9	8.4	223.5	10.3	260.8	12.2	312.0	14.9	320.2	15.6	325.0	16.2
	50	183.9	8.6	223.5	10.6	260.8	12.5	312.0	15.3	318.6	15.9	323.4	16.6
	55	183.9	8.9	223.5	10.9	260.8	12.9	312.0	15.7	317.4	16.3	322.2	17.0
	60	183.9	9.1	223.5	11.2	260.8	13.2	312.0	16.1	317.8	16.8	321.2	17.4
	65	183.9	9.4	223.5	11.5	260.8	13.6	312.0	16.6	314.1	17.0	320.2	17.8
	70	183.9	10.2	223.5	12.5	260.8	14.8	312.0	18.0	312.8	18.5	318.8	19.3
	75	183.9	11.2	223.5	13.7	260.8	16.2	306.1	19.4	310.9	20.1	316.8	21.0
	80	183.9	12.3	223.5	15.1	260.8	17.8	303.0	21.1	307.8	21.9	313.7	22.8
85	183.9	13.5	223.5	16.5	260.8	19.5	298.3	22.8	303.1	23.7	308.9	24.7	
90	183.9	14.7	223.5	18.1	260.8	21.4	291.4	24.4	296.2	25.3	301.9	26.4	
95	183.9	16.1	223.5	19.8	260.8	23.4	265.9	24.3	270.7	25.3	275.5	26.3	
100	183.9	17.5	223.5	21.5	248.2	24.2	253.0	25.1	257.8	26.2	262.8	27.3	
105	183.9	18.9	223.5	23.2	229.5	24.2	234.3	25.1	241.3	26.4	245.9	27.6	
110	183.9	20.2	200.8	22.3	205.6	23.2	213.5	24.5	219.9	25.8	224.1	26.9	
115	169.4	19.7	174.2	20.5	180.2	21.5	187.1	22.7	192.7	23.9	196.4	25.0	
118	149.8	17.9	156.4	18.9	161.8	19.8	168.0	21.0	173.0	22.1	176.3	23.0	
125	101.6	12.7	106.1	13.4	109.8	14.0	114.0	14.8	117.4	15.6	119.7	16.3	
120%	-10	169.8	6.0	206.3	7.4	240.7	8.7	288.0	10.6	337.4	12.7	384.7	14.8
	-5	169.8	6.4	206.3	7.8	240.7	9.2	288.0	11.3	337.4	13.5	374.4	15.3
	10	169.8	6.5	206.3	8.0	240.7	9.4	288.0	11.5	337.4	13.8	367.0	15.4
	15	169.8	6.7	206.3	8.2	240.7	9.7	288.0	11.8	337.4	14.1	358.8	15.3
	20	169.8	6.8	206.3	8.4	240.7	9.9	288.0	12.0	337.4	14.4	350.6	15.3
	25	169.8	7.0	206.3	8.5	240.7	10.1	288.0	12.3	337.4	14.7	342.0	15.3
	30	169.8	7.1	206.3	8.7	240.7	10.3	288.0	12.6	329.0	14.7	333.8	15.3
	35	169.8	7.3	206.3	9.0	240.7	10.6	288.0	12.9	321.2	14.7	326.0	15.3
	40	169.8	7.5	206.3	9.2	240.7	10.8	288.0	13.2	316.1	14.8	320.9	15.4
	45	169.8	7.7	206.3	9.4	240.7	11.1	288.0	13.5	314.0	15.1	318.8	15.7
	50	169.8	7.8	206.3	9.6	240.7	11.4	288.0	13.9	312.5	15.4	317.3	16.0
	55	169.8	8.1	206.3	9.9	240.7	11.7	288.0	14.2	311.3	15.7	316.1	16.4
	60	169.8	8.3	206.3	10.2	240.7	12.0	288.0	14.6	311.5	16.2	315.1	16.8
	65	169.8	8.5	206.3	10.5	240.7	12.3	288.0	15.0	308.2	16.5	314.1	17.2
	70	169.8	9.3	206.3	11.4	240.7	13.4	288.0	16.4	306.9	17.8	312.8	18.6
	75	169.8	10.2	206.3	12.5	240.7	14.7	288.0	18.0	305.0	19.5	310.9	20.3
	80	169.8	11.1	206.3	13.7	240.7	16.2	288.0	19.7	302.0	21.1	307.8	22.1
	85	169.8	12.2	206.3	15.0	240.7	17.8	288.0	21.6	297.4	22.8	303.1	23.9
	90	169.8	13.4	206.3	16.5	240.7	19.5	288.0	23.7	290.7	24.5	296.2	25.5
	95	169.8	14.6	206.3	18.0	240.7	21.2	265.9	23.9	270.7	24.9	275.5	25.9
	100	169.8	15.9	206.3	19.6	240.7	23.1	253.0	24.7	257.8	25.8	262.8	26.9
105	169.8	17.2	206.3	21.1	229.5	23.8	234.3	24.7	241.3	26.0	245.9	27.2	
110	169.8	18.4	200.8	22.0	205.6	22.8	213.5	24.1	219.9	25.4	224.1	26.5	
115	169.8	19.5	174.2	20.2	180.2	21.1	187.1	22.4	192.7	23.5	196.4	24.6	
118	149.8	17.6	156.4	18.6	161.8	19.5	168.0	20.6	173.0	21.7	176.3	22.7	
125	101.6	12.5	106.1	13.2	109.8	13.8	114.0	14.6	117.4	15.4	119.7	16.1	

NOTE - Power Input = Compressor + Outdoor Fan Motor.
MBH = 1000 BTUs per hour.

COOLING CAPACITY - TWO MODULE | VPB240L4

Combination (%)	Outdoor Temperature °F (Dry Bulb)	Indoor Temperature - °F (Dry Bulb / Wet Bulb)											
		67 / 57		71 / 60		75 / 63		80 / 67		85 / 71		90 / 75	
		Total Cap.	Power Input	Total Cap.	Power Input	Total Cap.	Power Input	Total Cap.	Power Input	Total Cap.	Power Input	Total Cap.	Power Input
		MBH	kW	MBH	kW	MBH	kW	MBH	kW	MBH	kW	MBH	kW
110%	-10	155.6	5.4	189.1	6.7	220.7	7.9	264.0	9.6	309.3	11.5	352.7	13.4
	-5	155.6	5.8	189.1	7.1	220.7	8.3	264.0	10.2	309.3	12.2	352.7	14.2
	10	155.6	5.9	189.1	7.2	220.7	8.5	264.0	10.4	309.3	12.4	352.7	14.5
	15	155.6	6.0	189.1	7.4	220.7	8.7	264.0	10.6	309.3	12.7	352.5	14.8
	20	155.6	6.1	189.1	7.5	220.7	8.9	264.0	10.8	309.3	13.0	344.3	14.8
	25	155.6	6.3	189.1	7.7	220.7	9.1	264.0	11.1	309.3	13.3	335.8	14.8
	30	155.6	6.4	189.1	7.9	220.7	9.3	264.0	11.4	309.3	13.6	327.6	14.8
	35	155.6	6.6	189.1	8.1	220.7	9.5	264.0	11.6	309.3	13.9	319.9	14.8
	40	155.6	6.7	189.1	8.3	220.7	9.8	264.0	11.9	309.3	14.3	314.7	14.9
	45	155.6	6.9	189.1	8.5	220.7	10.0	264.0	12.2	309.3	14.6	312.7	15.2
	50	155.6	7.1	189.1	8.7	220.7	10.3	264.0	12.5	309.3	15.0	311.2	15.5
	55	155.6	7.3	189.1	8.9	220.7	10.6	264.0	12.9	309.3	15.4	310.0	15.8
	60	155.6	7.5	189.1	9.2	220.7	10.8	264.0	13.2	305.1	15.6	309.0	16.2
	65	155.6	7.7	189.1	9.4	220.7	11.1	264.0	13.6	302.3	15.9	308.1	16.6
	70	155.6	8.4	189.1	10.3	220.7	12.1	264.0	14.8	301.0	17.2	306.8	18.0
	75	155.6	9.2	189.1	11.3	220.7	13.3	264.0	16.2	299.1	18.8	304.9	19.6
	80	155.6	10.1	189.1	12.4	220.7	14.6	264.0	17.8	296.2	20.4	301.9	21.3
	85	155.6	11.0	189.1	13.6	220.7	16.0	264.0	19.5	291.7	22.1	297.3	23.0
	90	155.6	12.1	189.1	14.9	220.7	17.6	264.0	21.4	285.1	23.6	290.5	24.7
	95	155.6	13.2	189.1	16.2	220.7	19.2	264.0	23.4	270.7	24.5	275.5	25.5
100	155.6	14.4	189.1	17.7	220.7	20.8	257.0	24.7	257.8	25.4	262.8	26.5	
105	155.6	15.5	189.1	19.1	220.7	22.5	234.3	24.4	241.3	25.6	245.9	26.8	
110	155.6	16.6	189.1	20.4	205.6	22.4	213.5	23.7	219.9	25.0	224.1	26.1	
115	155.6	17.6	174.2	19.9	180.2	20.8	187.1	22.0	192.7	23.2	196.4	24.2	
118	149.8	17.4	156.4	18.3	161.8	19.2	168.0	20.3	173.0	21.4	176.3	22.3	
125	101.6	12.3	106.1	13.0	109.8	13.6	114.0	14.4	117.4	15.2	119.7	15.8	
100%	-10	141.5	4.8	171.9	6.0	200.6	7.0	240.0	8.6	281.2	10.3	320.6	12.0
	-5	141.5	5.1	171.9	6.3	200.6	7.5	240.0	9.1	281.2	10.9	320.6	12.7
	10	141.5	5.3	171.9	6.5	200.6	7.6	240.0	9.3	281.2	11.1	320.6	13.0
	15	141.5	5.4	171.9	6.6	200.6	7.8	240.0	9.5	281.2	11.4	320.6	13.3
	20	141.5	5.5	171.9	6.8	200.6	8.0	240.0	9.7	281.2	11.6	320.3	13.6
	25	141.5	5.6	171.9	6.9	200.6	8.2	240.0	9.9	281.2	11.9	317.0	13.7
	30	141.5	5.8	171.9	7.1	200.6	8.3	240.0	10.2	281.2	12.2	313.8	13.9
	35	141.5	5.9	171.9	7.2	200.6	8.5	240.0	10.4	281.2	12.5	310.9	14.1
	40	141.5	6.0	171.9	7.4	200.6	8.8	240.0	10.7	281.2	12.8	308.5	14.4
	45	141.5	6.2	171.9	7.6	200.6	9.0	240.0	10.9	281.2	13.1	306.6	14.6
	50	141.5	6.3	171.9	7.8	200.6	9.2	240.0	11.2	281.2	13.4	305.1	14.9
	55	141.5	6.5	171.9	8.0	200.6	9.4	240.0	11.5	281.2	13.8	303.9	15.3
	60	141.5	6.7	171.9	8.2	200.6	9.7	240.0	11.8	281.2	14.2	303.0	15.6
	65	141.5	6.9	171.9	8.5	200.6	10.0	240.0	12.2	281.2	14.6	302.0	16.0
	70	141.5	7.5	171.9	9.2	200.6	10.9	240.0	13.2	281.2	15.8	300.8	17.4
	75	141.5	8.2	171.9	10.1	200.6	11.9	240.0	14.5	281.2	17.4	298.9	18.9
	80	141.5	9.0	171.9	11.1	200.6	13.1	240.0	15.9	281.2	19.1	296.0	20.6
	85	141.5	9.9	171.9	12.2	200.6	14.4	240.0	17.5	281.2	21.0	291.4	22.2
	90	141.5	10.8	171.9	13.3	200.6	15.7	240.0	19.2	279.5	22.8	284.8	23.8
	95	141.5	11.8	171.9	14.5	200.6	17.2	240.0	20.9	270.3	24.1	275.5	25.2
100	141.5	12.9	171.9	15.8	200.6	18.7	240.0	22.8	257.8	25.0	262.8	26.1	
105	141.5	13.9	171.9	17.1	200.6	20.2	234.3	24.0	241.3	25.3	245.9	26.4	
110	141.5	14.9	171.9	18.3	200.6	21.6	213.5	23.4	219.9	24.6	224.1	25.7	
115	141.5	15.7	171.9	19.3	180.2	20.5	187.1	21.7	192.7	22.8	196.4	23.8	
118	141.5	16.2	156.4	18.1	161.8	18.9	168.0	20.0	173.0	21.1	176.3	22.0	
125	101.6	12.1	106.1	12.8	109.8	13.4	114.0	14.2	117.4	14.9	119.7	15.6	

NOTE - Power Input = Compressor + Outdoor Fan Motor.
MBH = 1000 BTUs per hour.

COOLING CAPACITY - TWO MODULE | VPB240L4

Combination (%)	Outdoor Temperature °F (Dry Bulb)	Indoor Temperature - °F (Dry Bulb / Wet Bulb)											
		67 / 57		71 / 60		75 / 63		80 / 67		85 / 71		90 / 75	
		Total Cap.	Power Input	Total Cap.	Power Input	Total Cap.	Power Input	Total Cap.	Power Input	Total Cap.	Power Input	Total Cap.	Power Input
		MBH	KW	MBH	KW	MBH	KW	MBH	KW	MBH	KW	MBH	KW
90%	-10	127.3	4.3	154.7	5.3	180.5	6.2	216.0	7.6	253.1	9.1	288.5	10.6
	-5	127.3	4.6	154.7	5.6	180.5	6.6	216.0	8.1	253.1	9.7	288.5	11.3
	10	127.3	4.7	154.7	5.7	180.5	6.8	216.0	8.3	253.1	9.9	288.5	11.5
	15	127.3	4.8	154.7	5.9	180.5	6.9	216.0	8.4	253.1	10.1	288.5	11.8
	20	127.3	4.9	154.7	6.0	180.5	7.1	216.0	8.6	253.1	10.3	288.5	12.0
	25	127.3	5.0	154.7	6.1	180.5	7.2	216.0	8.8	253.1	10.6	288.5	12.3
	30	127.3	5.1	154.7	6.3	180.5	7.4	216.0	9.0	253.1	10.8	288.5	12.6
	35	127.3	5.2	154.7	6.4	180.5	7.6	216.0	9.2	253.1	11.1	288.5	12.9
	40	127.3	5.3	154.7	6.6	180.5	7.8	216.0	9.5	253.1	11.3	288.5	13.2
	45	127.3	5.5	154.7	6.7	180.5	8.0	216.0	9.7	253.1	11.6	288.5	13.6
	50	127.3	5.6	154.7	6.9	180.5	8.2	216.0	9.9	253.1	11.9	288.5	13.9
	55	127.3	5.8	154.7	7.1	180.5	8.4	216.0	10.2	253.1	12.2	288.5	14.3
	60	127.3	5.9	154.7	7.3	180.5	8.6	216.0	10.5	253.1	12.6	288.5	14.7
	65	127.3	6.1	154.7	7.5	180.5	8.8	216.0	10.8	253.1	12.9	288.5	15.1
	70	127.3	6.6	154.7	8.2	180.5	9.6	216.0	11.7	253.1	14.1	288.5	16.4
	75	127.3	7.3	154.7	8.9	180.5	10.6	216.0	12.9	253.1	15.4	288.5	18.0
	80	127.3	8.0	154.7	9.8	180.5	11.6	216.0	14.1	253.1	16.9	288.5	19.8
	85	127.3	8.8	154.7	10.8	180.5	12.7	216.0	15.5	253.1	18.6	285.6	21.5
	90	127.3	9.6	154.7	11.8	180.5	13.9	216.0	17.0	253.1	20.4	279.1	23.0
	95	127.3	10.5	154.7	12.9	180.5	15.2	216.0	18.6	253.1	22.2	275.5	24.8
	100	127.3	11.4	154.7	14.0	180.5	16.6	216.0	20.2	252.7	24.1	262.8	25.7
105	127.3	12.3	154.7	15.1	180.5	17.9	216.0	21.8	241.3	24.9	245.9	26.0	
110	127.3	13.2	154.7	16.2	180.5	19.1	213.5	23.0	219.9	24.3	224.1	25.3	
115	127.3	13.9	154.7	17.1	180.2	20.2	187.1	21.4	192.7	22.5	196.4	23.5	
118	127.3	14.3	154.7	17.6	161.8	18.6	168.0	19.7	173.0	20.8	176.3	21.7	
125	101.6	11.9	106.1	12.6	109.8	13.2	114.0	14.0	117.4	14.7	119.7	15.3	
80%	-10	113.2	3.8	137.6	4.6	160.5	5.5	192.0	6.7	225.0	8.0	256.5	9.3
	-5	113.2	4.0	137.6	4.9	160.5	5.8	192.0	7.1	225.0	8.5	256.5	9.9
	10	113.2	4.1	137.6	5.0	160.5	5.9	192.0	7.2	225.0	8.7	256.5	10.1
	15	113.2	4.2	137.6	5.1	160.5	6.1	192.0	7.4	225.0	8.8	256.5	10.3
	20	113.2	4.3	137.6	5.2	160.5	6.2	192.0	7.5	225.0	9.0	256.5	10.6
	25	113.2	4.4	137.6	5.4	160.5	6.3	192.0	7.7	225.0	9.2	256.5	10.8
	30	113.2	4.5	137.6	5.5	160.5	6.5	192.0	7.9	225.0	9.5	256.5	11.1
	35	113.2	4.6	137.6	5.6	160.5	6.6	192.0	8.1	225.0	9.7	256.5	11.3
	40	113.2	4.7	137.6	5.8	160.5	6.8	192.0	8.3	225.0	9.9	256.5	11.6
	45	113.2	4.8	137.6	5.9	160.5	7.0	192.0	8.5	225.0	10.2	256.5	11.9
	50	113.2	4.9	137.6	6.1	160.5	7.2	192.0	8.7	225.0	10.4	256.5	12.2
	55	113.2	5.1	137.6	6.2	160.5	7.3	192.0	8.9	225.0	10.7	256.5	12.5
	60	113.2	5.2	137.6	6.4	160.5	7.5	192.0	9.2	225.0	11.0	256.5	12.9
	65	113.2	5.3	137.6	6.6	160.5	7.7	192.0	9.4	225.0	11.3	256.5	13.2
	70	113.2	5.8	137.6	7.1	160.5	8.4	192.0	10.3	225.0	12.3	256.5	14.4
	75	113.2	6.4	137.6	7.8	160.5	9.3	192.0	11.3	225.0	13.5	256.5	15.8
	80	113.2	7.0	137.6	8.6	160.5	10.2	192.0	12.4	225.0	14.8	256.5	17.3
	85	113.2	7.7	137.6	9.4	160.5	11.1	192.0	13.6	225.0	16.3	256.5	19.0
	90	113.2	8.4	137.6	10.3	160.5	12.2	192.0	14.9	225.0	17.8	256.5	20.8
	95	113.2	9.2	137.6	11.3	160.5	13.3	192.0	16.3	225.0	19.5	256.5	22.7
	100	113.2	10.0	137.6	12.3	160.5	14.5	192.0	17.7	225.0	21.2	256.5	24.7
105	113.2	10.8	137.6	13.3	160.5	15.7	192.0	19.1	225.0	22.9	245.9	25.6	
110	113.2	11.5	137.6	14.2	160.5	16.8	192.0	20.4	219.9	23.9	224.1	25.0	
115	113.2	12.2	137.6	15.0	160.5	17.7	187.1	21.1	192.7	22.2	196.4	23.1	
118	113.2	12.6	137.6	15.4	160.5	18.2	168.0	19.4	173.0	20.5	176.3	21.4	
125	101.6	11.8	106.1	12.4	109.8	13.0	114.0	13.8	117.4	14.5	119.7	15.1	

NOTE - Power Input = Compressor + Outdoor Fan Motor.
 MBH = 1000 BTUs per hour.

COOLING CAPACITY - TWO MODULE | VPB240L4

Combination (%)	Outdoor Temperature °F (Dry Bulb)	Indoor Temperature - °F (Dry Bulb / Wet Bulb)											
		67 / 57		71 / 60		75 / 63		80 / 67		85 / 71		90 / 75	
		Total Cap.	Power Input	Total Cap.	Power Input	Total Cap.	Power Input	Total Cap.	Power Input	Total Cap.	Power Input	Total Cap.	Power Input
		MBH	kW	MBH	kW	MBH	kW	MBH	kW	MBH	kW	MBH	kW
70%	-10	99.0	3.2	120.4	4.0	140.4	4.7	168.0	5.7	196.8	6.9	224.4	8.0
	-5	99.0	3.4	120.4	4.2	140.4	5.0	168.0	6.1	196.8	7.3	224.4	8.5
	10	99.0	3.5	120.4	4.3	140.4	5.1	168.0	6.2	196.8	7.5	224.4	8.7
	15	99.0	3.6	120.4	4.4	140.4	5.2	168.0	6.4	196.8	7.6	224.4	8.9
	20	99.0	3.7	120.4	4.5	140.4	5.3	168.0	6.5	196.8	7.8	224.4	9.1
	25	99.0	3.8	120.4	4.6	140.4	5.5	168.0	6.7	196.8	8.0	224.4	9.3
	30	99.0	3.9	120.4	4.7	140.4	5.6	168.0	6.8	196.8	8.2	224.4	9.5
	35	99.0	3.9	120.4	4.8	140.4	5.7	168.0	7.0	196.8	8.4	224.4	9.8
	40	99.0	4.0	120.4	5.0	140.4	5.9	168.0	7.1	196.8	8.6	224.4	10.0
	45	99.0	4.1	120.4	5.1	140.4	6.0	168.0	7.3	196.8	8.8	224.4	10.2
	50	99.0	4.2	120.4	5.2	140.4	6.2	168.0	7.5	196.8	9.0	224.4	10.5
	55	99.0	4.4	120.4	5.4	140.4	6.3	168.0	7.7	196.8	9.2	224.4	10.8
	60	99.0	4.5	120.4	5.5	140.4	6.5	168.0	7.9	196.8	9.5	224.4	11.1
	65	99.0	4.6	120.4	5.7	140.4	6.7	168.0	8.1	196.8	9.8	224.4	11.4
	70	99.0	5.0	120.4	6.2	140.4	7.3	168.0	8.9	196.8	10.6	224.4	12.4
	75	99.0	5.5	120.4	6.8	140.4	8.0	168.0	9.7	196.8	11.7	224.4	13.6
	80	99.0	6.0	120.4	7.4	140.4	8.8	168.0	10.7	196.8	12.8	224.4	14.9
	85	99.0	6.6	120.4	8.1	140.4	9.6	168.0	11.7	196.8	14.0	224.4	16.4
	90	99.0	7.3	120.4	8.9	140.4	10.5	168.0	12.8	196.8	15.4	224.4	18.0
	95	99.0	7.9	120.4	9.7	140.4	11.5	168.0	14.0	196.8	16.8	224.4	19.6
100	99.0	8.6	120.4	10.6	140.4	12.5	168.0	15.2	196.8	18.3	224.4	21.3	
105	99.0	9.3	120.4	11.4	140.4	13.5	168.0	16.5	196.8	19.7	224.4	23.0	
110	99.0	10.0	120.4	12.2	140.4	14.4	168.0	17.6	196.8	21.1	224.1	24.6	
115	99.0	10.5	120.4	12.9	140.4	15.3	168.0	18.6	192.7	21.9	196.4	22.8	
118	99.0	10.8	120.4	13.3	140.4	15.7	168.0	19.2	173.0	20.2	176.3	21.1	
125	95.5	10.9	106.1	12.2	109.8	12.8	114.0	13.6	117.4	14.3	119.7	14.9	
60%	-10	84.9	2.7	103.2	3.4	120.4	4.0	144.0	4.9	168.7	5.8	192.4	6.8
	-5	84.9	2.9	103.2	3.6	120.4	4.2	144.0	5.2	168.7	6.2	192.4	7.2
	10	84.9	3.0	103.2	3.7	120.4	4.3	144.0	5.3	168.7	6.3	192.4	7.4
	15	84.9	3.0	103.2	3.7	120.4	4.4	144.0	5.4	168.7	6.4	192.4	7.5
	20	84.9	3.1	103.2	3.8	120.4	4.5	144.0	5.5	168.7	6.6	192.4	7.7
	25	84.9	3.2	103.2	3.9	120.4	4.6	144.0	5.6	168.7	6.7	192.4	7.9
	30	84.9	3.3	103.2	4.0	120.4	4.7	144.0	5.8	168.7	6.9	192.4	8.1
	35	84.9	3.3	103.2	4.1	120.4	4.8	144.0	5.9	168.7	7.1	192.4	8.2
	40	84.9	3.4	103.2	4.2	120.4	5.0	144.0	6.0	168.7	7.2	192.4	8.4
	45	84.9	3.5	103.2	4.3	120.4	5.1	144.0	6.2	168.7	7.4	192.4	8.7
	50	84.9	3.6	103.2	4.4	120.4	5.2	144.0	6.4	168.7	7.6	192.4	8.9
	55	84.9	3.7	103.2	4.5	120.4	5.3	144.0	6.5	168.7	7.8	192.4	9.1
	60	84.9	3.8	103.2	4.7	120.4	5.5	144.0	6.7	168.7	8.0	192.4	9.4
	65	84.9	3.9	103.2	4.8	120.4	5.6	144.0	6.9	168.7	8.2	192.4	9.6
	70	84.9	4.2	103.2	5.2	120.4	6.1	144.0	7.5	168.7	9.0	192.4	10.5
	75	84.9	4.6	103.2	5.7	120.4	6.7	144.0	8.2	168.7	9.8	192.4	11.5
	80	84.9	5.1	103.2	6.3	120.4	7.4	144.0	9.0	168.7	10.8	192.4	12.6
	85	84.9	5.6	103.2	6.9	120.4	8.1	144.0	9.9	168.7	11.9	192.4	13.9
	90	84.9	6.1	103.2	7.5	120.4	8.9	144.0	10.8	168.7	13.0	192.4	15.2
	95	84.9	6.7	103.2	8.2	120.4	9.7	144.0	11.8	168.7	14.2	192.4	16.6
	100	84.9	7.3	103.2	9.0	120.4	10.6	144.0	12.9	168.7	15.4	192.4	18.0
105	84.9	7.9	103.2	9.7	120.4	11.4	144.0	13.9	168.7	16.7	192.4	19.5	
110	84.9	8.4	103.2	10.3	120.4	12.2	144.0	14.9	168.7	17.8	192.4	20.8	
115	84.9	8.9	103.2	10.9	120.4	12.9	144.0	15.7	168.7	18.9	192.4	22.0	
118	84.9	9.2	103.2	11.2	120.4	13.3	144.0	16.2	168.7	19.4	176.3	20.8	
125	84.9	9.5	103.2	11.7	109.8	12.6	114.0	13.4	117.4	14.1	119.7	14.7	

NOTE - Power Input = Compressor + Outdoor Fan Motor.
MBH = 1000 BTUs per hour.

COOLING CAPACITY - TWO MODULE | VPB240L4

Combination (%)	Outdoor Temperature °F (Dry Bulb)	Indoor Temperature - °F (Dry Bulb / Wet Bulb)											
		67 / 57		71 / 60		75 / 63		80 / 67		85 / 71		90 / 75	
		Total Cap.	Power Input	Total Cap.	Power Input	Total Cap.	Power Input	Total Cap.	Power Input	Total Cap.	Power Input	Total Cap.	Power Input
		MBH	kW	MBH	kW	MBH	kW	MBH	kW	MBH	kW	MBH	kW
50%	-10	65.3	2.1	86.0	2.8	100.3	3.3	120.0	4.0	140.6	4.8	160.3	5.6
	-5	70.7	2.4	86.0	2.9	100.3	3.5	120.0	4.2	140.6	5.1	160.3	5.9
	10	70.7	2.4	86.0	3.0	100.3	3.6	120.0	4.3	140.6	5.2	160.3	6.1
	15	70.7	2.5	86.0	3.1	100.3	3.6	120.0	4.4	140.6	5.3	160.3	6.2
	20	70.7	2.6	86.0	3.1	100.3	3.7	120.0	4.5	140.6	5.4	160.3	6.3
	25	70.7	2.6	86.0	3.2	100.3	3.8	120.0	4.6	140.6	5.5	160.3	6.5
	30	70.7	2.7	86.0	3.3	100.3	3.9	120.0	4.7	140.6	5.7	160.3	6.6
	35	70.7	2.7	86.0	3.4	100.3	4.0	120.0	4.8	140.6	5.8	160.3	6.8
	40	70.7	2.8	86.0	3.4	100.3	4.1	120.0	5.0	140.6	5.9	160.3	6.9
	45	70.7	2.9	86.0	3.5	100.3	4.2	120.0	5.1	140.6	6.1	160.3	7.1
	50	70.7	3.0	86.0	3.6	100.3	4.3	120.0	5.2	140.6	6.3	160.3	7.3
	55	70.7	3.0	86.0	3.7	100.3	4.4	120.0	5.4	140.6	6.4	160.3	7.5
	60	70.7	3.1	86.0	3.8	100.3	4.5	120.0	5.5	140.6	6.6	160.3	7.7
	65	70.7	3.2	86.0	3.9	100.3	4.6	120.0	5.7	140.6	6.8	160.3	7.9
	70	70.7	3.5	86.0	4.3	100.3	5.0	120.0	6.2	140.6	7.4	160.3	8.6
	75	70.7	3.8	86.0	4.7	100.3	5.5	120.0	6.8	140.6	8.1	160.3	9.4
	80	70.7	4.2	86.0	5.2	100.3	6.1	120.0	7.4	140.6	8.9	160.3	10.4
	85	70.7	4.6	86.0	5.7	100.3	6.7	120.0	8.1	140.6	9.7	160.3	11.4
	90	70.7	5.0	86.0	6.2	100.3	7.3	120.0	8.9	140.6	10.7	160.3	12.5
	95	70.7	5.5	86.0	6.8	100.3	8.0	120.0	9.7	140.6	11.7	160.3	13.6
100	70.7	6.0	86.0	7.4	100.3	8.7	120.0	10.6	140.6	12.7	160.3	14.8	
105	70.7	6.5	86.0	7.9	100.3	9.4	120.0	11.4	140.6	13.7	160.3	16.0	
110	70.7	6.9	86.0	8.5	100.3	10.0	120.0	12.2	140.6	14.6	160.3	17.1	
115	70.7	7.3	86.0	9.0	100.3	10.6	120.0	12.9	140.6	15.5	160.3	18.1	
118	70.7	7.5	86.0	9.2	100.3	10.9	120.0	13.3	140.6	15.9	160.3	18.6	
125	70.7	7.8	86.0	9.6	100.3	11.4	114.0	13.2	117.4	13.9	119.7	14.5	

NOTE - Power Input = Compressor + Outdoor Fan Motor.
 MBH = 1000 BTUs per hour.

HEATING CAPACITY - TWO MODULE | VPB240L4

Combination (%)	Outdoor Temperature (°F)		Indoor Temperature - °F Dry Bulb											
			61		64		67		70		73		75	
	Dry Bulb	Wet Bulb	Total Cap.	Power Input	Total Cap.	Power Input	Total Cap.	Power Input	Total Cap.	Power Input	Total Cap.	Power Input	Total Cap.	Power Input
130%	-22	-23	176.0	26.9	172.4	27.7	169.3	28.4	166.2	29.3	163.5	30.1	161.8	30.7
	-17	-18	210.1	29.6	206.4	30.3	203.2	31.1	200.1	31.9	197.2	32.8	195.5	33.4
	-13	-14	235.6	32.1	234.8	33.1	234.1	34.0	233.5	35.1	232.8	36.2	232.5	37.0
	-8	-9	250.4	33.2	250.8	34.3	251.0	35.4	251.2	36.5	251.3	37.7	251.4	38.5
	-3	-4	261.5	33.9	261.8	35.0	262.1	36.1	262.2	37.3	262.3	38.5	262.4	39.3
	2	1	273.4	34.4	273.4	35.5	273.4	36.6	273.3	37.7	273.2	39.0	273.1	39.8
	7	6	285.5	34.5	285.2	35.6	284.8	36.7	284.3	37.8	283.8	39.0	283.4	39.8
	12	10	296.5	34.7	295.9	35.8	295.2	36.9	294.4	38.0	293.6	39.2	293.1	40.0
	17	15	312.2	35.2	311.1	36.2	310.1	37.3	309.0	38.4	307.9	39.6	307.2	40.4
	22	20	328.7	35.7	327.3	36.8	326.0	37.8	324.6	38.9	328.8	40.7	314.5	38.2
	27	24	343.8	36.3	342.1	37.3	340.6	38.4	338.9	39.5	328.8	37.8	314.5	35.3
	32	29	362.5	37.0	360.6	38.1	358.7	39.1	351.0	37.9	328.8	34.2	314.5	31.8
	37	34	383.0	37.9	380.7	39.0	373.2	37.7	351.0	34.1	328.8	30.6	314.5	28.9
	42	38	399.6	38.7	394.1	38.0	373.2	34.6	351.0	31.1	328.8	28.5	314.5	26.9
	47	43	416.2	37.4	394.1	33.9	373.2	30.7	351.0	28.3	328.8	26.0	314.5	24.5
	52	47	416.2	34.2	394.1	30.9	373.2	28.6	351.0	26.3	328.8	24.1	314.5	22.8
	57	52	416.2	30.3	394.1	28.1	373.2	26.0	351.0	24.0	328.8	21.9	314.5	20.7
	62	56	416.2	28.2	394.1	26.1	373.2	24.2	351.0	22.2	328.8	20.3	314.5	19.2
	67	61	416.2	25.7	394.1	23.7	373.2	21.9	351.0	20.1	328.8	18.5	314.5	17.5
	72	66	416.2	23.3	394.1	21.5	373.2	19.8	351.0	18.3	328.8	16.9	314.5	16.0
75	69	416.2	21.9	394.1	20.1	373.2	18.6	351.0	17.2	328.8	15.9	314.5	15.1	
80	74	416.2	19.7	394.1	18.2	373.2	17.0	351.0	15.7	328.8	14.5	314.5	13.8	
120%	-22	-23	173.8	27.2	170.3	28.0	167.4	28.8	164.4	29.6	161.8	30.5	160.2	31.1
	-17	-18	207.1	30.0	203.6	30.8	200.6	31.5	197.6	32.4	194.9	33.3	193.3	33.9
	-13	-14	234.1	32.7	233.4	33.7	232.7	34.7	232.1	35.8	231.5	36.9	231.2	37.7
	-8	-9	249.7	33.9	249.9	35.1	250.1	36.1	250.3	37.3	250.5	38.6	250.5	39.4
	-3	-4	260.8	34.7	261.0	35.8	261.2	36.9	261.3	38.1	261.4	39.4	261.5	40.2
	2	1	272.4	35.2	272.4	36.3	272.4	37.4	272.2	38.6	272.1	39.8	271.4	40.5
	7	6	284.3	35.3	283.9	36.4	283.4	37.5	282.9	38.7	282.4	39.9	281.2	40.5
	12	10	295.0	35.6	294.3	36.7	293.6	37.7	292.8	38.9	292.1	40.1	290.3	40.0
	17	15	310.3	36.0	309.3	37.1	308.2	38.2	307.1	39.3	303.5	39.3	290.3	37.0
	22	20	326.5	36.6	325.1	37.7	323.8	38.8	324.0	39.5	303.5	36.0	290.3	33.8
	27	24	341.3	37.2	339.7	38.3	344.5	40.0	324.0	36.6	303.5	33.2	290.3	31.0
	32	29	359.7	38.0	363.7	39.6	344.5	36.4	324.0	33.1	303.5	30.0	290.3	28.4
	37	34	384.2	39.0	363.7	35.7	344.5	32.7	324.0	29.7	303.5	27.4	290.3	25.9
	42	38	384.2	35.9	363.7	32.7	344.5	29.9	324.0	27.6	303.5	25.4	290.3	24.1
	47	43	384.2	31.9	363.7	29.3	344.5	27.2	324.0	25.2	303.5	23.2	290.3	21.9
	52	47	384.2	29.3	363.7	27.2	344.5	25.3	324.0	23.4	303.5	21.5	290.3	20.3
	57	52	384.2	26.7	363.7	24.8	344.5	23.0	324.0	21.2	303.5	19.5	290.3	18.6
	62	56	384.2	24.8	363.7	23.0	344.5	21.3	324.0	19.6	303.5	18.2	290.3	17.3
	67	61	384.2	22.5	363.7	20.8	344.5	19.3	324.0	17.9	303.5	16.6	290.3	15.8
	72	66	384.2	20.3	363.7	18.8	344.5	17.5	324.0	16.3	303.5	15.1	290.3	14.4
75	69	384.2	19.0	363.7	17.7	344.5	16.5	324.0	15.4	303.5	14.3	290.3	13.6	
80	74	384.2	17.3	363.7	16.1	344.5	15.1	324.0	14.1	303.5	13.1	290.3	12.5	

NOTE - Power Input = Compressor + Outdoor Fan Motor.
MBH = 1000 BTUs per hour.

HEATING CAPACITY - TWO MODULE | VPB240L4

Combination (%)	Outdoor Temperature (°F)		Indoor Temperature - °F Dry Bulb											
			61		64		67		70		73		75	
			Total Cap.	Power Input	Total Cap.	Power Input	Total Cap.	Power Input	Total Cap.	Power Input	Total Cap.	Power Input	Total Cap.	Power Input
	Dry Bulb	Wet Bulb	MBH	kW	MBH	kW	MBH	kW	MBH	kW	MBH	kW	MBH	kW
110%	-22	-23	171.1	27.7	167.9	28.5	165.2	29.2	162.5	30.1	160.1	31.0	158.6	31.6
	-17	-18	204.0	30.5	200.7	31.3	197.8	32.1	195.0	32.9	192.5	33.8	191.0	34.5
	-13	-14	232.7	33.4	232.0	34.5	231.4	35.5	230.8	36.6	230.2	37.7	229.9	38.5
	-8	-9	249.0	34.8	249.2	35.9	249.4	37.1	249.5	38.3	249.7	39.5	249.7	40.4
	-3	-4	260.1	35.6	260.3	36.8	260.4	37.9	260.5	39.1	260.6	40.4	257.2	40.5
	2	1	271.5	36.1	271.5	37.3	271.4	38.4	271.2	39.6	269.4	40.5	266.1	40.2
	7	6	283.0	36.3	282.5	37.4	282.1	38.5	281.6	39.8	278.2	39.8	266.1	37.8
	12	10	293.5	36.6	292.7	37.7	292.0	38.8	297.0	40.8	278.2	37.6	266.1	35.6
	17	15	308.4	37.1	307.3	38.2	306.3	39.3	297.0	37.7	278.2	34.6	266.1	32.6
	22	20	324.2	37.7	322.8	38.8	315.8	37.7	297.0	34.5	278.2	31.5	266.1	29.8
	27	24	338.7	38.4	333.4	37.7	315.8	34.8	297.0	31.7	278.2	29.1	266.1	27.7
	32	29	352.2	37.2	333.4	34.2	315.8	31.4	297.0	28.9	278.2	26.7	266.1	25.3
	37	34	352.2	33.4	333.4	30.5	315.8	28.4	297.0	26.3	278.2	24.3	266.1	23.0
	42	38	352.2	30.4	333.4	28.2	315.8	26.4	297.0	24.4	278.2	22.6	266.1	21.4
	47	43	352.2	27.6	333.4	25.7	315.8	24.0	297.0	22.2	278.2	20.5	266.1	19.5
	52	47	352.2	25.6	333.4	23.9	315.8	22.3	297.0	20.6	278.2	19.1	266.1	18.2
	57	52	352.2	23.3	333.4	21.7	315.8	20.2	297.0	18.8	278.2	17.5	266.1	16.7
	62	56	352.2	21.6	333.4	20.1	315.8	18.7	297.0	17.5	278.2	16.3	266.1	15.5
	67	61	352.2	19.5	333.4	18.2	315.8	17.1	297.0	15.9	278.2	14.8	266.1	14.1
	72	66	352.2	17.7	333.4	16.5	315.8	15.5	297.0	14.5	278.2	13.5	266.1	12.9
75	69	352.2	16.6	333.4	15.6	315.8	14.6	297.0	13.7	278.2	12.8	266.1	12.2	
80	74	352.2	15.1	333.4	14.2	315.8	13.4	297.0	12.5	278.2	11.7	266.1	11.2	
100%	-22	-23	168.3	28.2	165.3	29.0	162.7	29.8	160.2	30.6	157.9	31.5	156.6	32.2
	-17	-18	200.6	31.1	197.6	31.9	194.9	32.7	192.4	33.6	190.0	34.5	188.6	35.1
	-13	-14	231.3	34.3	230.6	35.4	230.0	36.4	229.5	37.6	229.0	38.8	228.7	39.6
	-8	-9	248.4	35.9	248.5	37.0	248.7	38.2	248.8	39.4	252.9	41.3	241.9	39.7
	-3	-4	259.4	36.7	259.6	37.9	259.7	39.1	259.7	40.4	252.9	39.7	241.9	38.0
	2	1	270.6	37.3	270.5	38.5	270.4	39.7	270.0	40.4	252.9	37.7	241.9	35.9
	7	6	281.7	37.5	281.2	38.7	280.7	39.8	270.0	38.0	252.9	35.2	241.9	33.4
	12	10	291.8	37.8	291.1	39.0	287.1	38.6	270.0	35.8	252.9	33.0	241.9	31.2
	17	15	306.3	38.4	303.1	38.2	287.1	35.6	270.0	32.8	252.9	30.2	241.9	28.8
	22	20	320.2	37.8	303.1	35.1	287.1	32.4	270.0	29.9	252.9	27.8	241.9	26.4
	27	24	320.2	34.9	303.1	32.2	287.1	29.8	270.0	27.7	252.9	25.8	241.9	24.5
	32	29	320.2	31.5	303.1	29.1	287.1	27.3	270.0	25.4	252.9	23.5	241.9	22.3
	37	34	320.2	28.3	303.1	26.5	287.1	24.8	270.0	23.1	252.9	21.4	241.9	20.3
	42	38	320.2	26.3	303.1	24.6	287.1	23.1	270.0	21.4	252.9	19.8	241.9	19.0
	47	43	320.2	23.9	303.1	22.4	287.1	20.9	270.0	19.5	252.9	18.2	241.9	17.4
	52	47	320.2	22.2	303.1	20.7	287.1	19.4	270.0	18.2	252.9	17.0	241.9	16.3
	57	52	320.2	20.1	303.1	18.8	287.1	17.7	270.0	16.6	252.9	15.6	241.9	14.9
	62	56	320.2	18.6	303.1	17.5	287.1	16.5	270.0	15.5	252.9	14.5	241.9	13.8
	67	61	320.2	17.0	303.1	15.9	287.1	15.0	270.0	14.1	252.9	13.2	241.9	12.6
	72	66	320.2	15.4	303.1	14.5	287.1	13.7	270.0	12.8	252.9	12.0	241.9	11.5
75	69	320.2	14.5	303.1	13.7	287.1	12.9	270.0	12.1	252.9	11.4	241.9	10.9	
80	74	320.2	13.2	303.1	12.5	287.1	11.8	270.0	11.1	252.9	10.5	241.9	10.0	

NOTE - Power Input = Compressor + Outdoor Fan Motor.
 MBH = 1000 BTUs per hour.

HEATING CAPACITY - TWO MODULE | VPB240L4

Combination (%)	Outdoor Temperature (°F)		Indoor Temperature - °F Dry Bulb											
			61		64		67		70		73		75	
	Dry Bulb	Wet Bulb	Total Cap.	Power Input	Total Cap.	Power Input	Total Cap.	Power Input	Total Cap.	Power Input	Total Cap.	Power Input	Total Cap.	Power Input
90%	-22	-23	165.3	28.8	162.5	29.6	160.1	30.4	157.8	31.3	155.7	32.2	154.5	32.8
	-17	-18	197.1	31.8	194.3	32.6	191.9	33.5	189.6	34.4	187.4	35.3	186.1	36.0
	-13	-14	229.8	35.4	229.2	36.6	228.7	37.6	228.2	38.8	227.6	39.8	217.7	38.4
	-8	-9	247.8	37.2	248.0	38.4	248.1	39.6	243.0	39.4	227.6	37.2	217.7	35.7
	-3	-4	258.9	38.2	258.9	39.4	258.4	40.1	243.0	37.7	227.6	35.4	217.7	33.9
	2	1	269.7	38.8	272.8	40.3	258.4	38.0	243.0	35.6	227.6	33.2	217.7	31.6
	7	6	280.3	39.0	272.8	37.9	258.4	35.6	243.0	33.1	227.6	30.8	217.7	29.5
	12	10	288.2	38.2	272.8	35.7	258.4	33.4	243.0	30.9	227.6	29.0	217.7	27.7
	17	15	288.2	35.2	272.8	32.7	258.4	30.4	243.0	28.5	227.6	26.6	217.7	25.4
	22	20	288.2	32.0	272.8	29.7	258.4	27.9	243.0	26.1	227.6	24.4	217.7	23.2
	27	24	288.2	29.3	272.8	27.6	258.4	25.9	243.0	24.2	227.6	22.5	217.7	21.4
	32	29	288.2	26.9	272.8	25.2	258.4	23.7	243.0	22.1	227.6	20.5	217.7	19.6
	37	34	288.2	24.4	272.8	22.9	258.4	21.5	243.0	20.0	227.6	18.8	217.7	18.0
	42	38	288.2	22.7	272.8	21.2	258.4	19.9	243.0	18.7	227.6	17.6	217.7	16.9
	47	43	288.2	20.6	272.8	19.3	258.4	18.2	243.0	17.2	227.6	16.1	217.7	15.5
	52	47	288.2	19.0	272.8	18.0	258.4	17.0	243.0	16.0	227.6	15.1	217.7	14.4
	57	52	288.2	17.4	272.8	16.4	258.4	15.6	243.0	14.6	227.6	13.7	217.7	13.2
	62	56	288.2	16.2	272.8	15.3	258.4	14.4	243.0	13.6	227.6	12.8	217.7	12.2
	67	61	288.2	14.7	272.8	13.9	258.4	13.1	243.0	12.3	227.6	11.6	217.7	11.1
72	66	288.2	13.3	272.8	12.6	258.4	11.9	243.0	11.3	227.6	10.6	217.7	10.2	
75	69	288.2	12.6	272.8	11.9	258.4	11.3	243.0	10.7	227.6	10.0	217.7	9.7	
80	74	288.2	11.5	272.8	10.9	258.4	10.4	243.0	9.8	227.6	9.2	217.7	8.9	
80%	-22	-23	162.1	29.5	159.5	30.4	157.4	31.2	155.3	32.1	153.4	33.1	152.2	33.7
	-17	-18	193.4	32.7	190.9	33.6	188.7	34.5	186.6	35.4	184.7	36.4	183.5	37.1
	-13	-14	228.4	36.9	227.9	38.1	229.7	39.4	216.0	37.5	202.3	35.6	193.5	34.4
	-8	-9	247.4	39.0	242.5	38.7	229.7	36.9	216.0	34.9	202.3	32.9	193.5	31.9
	-3	-4	256.1	39.1	242.5	37.0	229.7	35.1	216.0	33.0	202.3	31.2	193.5	30.2
	2	1	256.1	37.0	242.5	34.9	229.7	32.9	216.0	30.9	202.3	29.3	193.5	28.3
	7	6	256.1	34.5	242.5	32.4	229.7	30.4	216.0	28.8	202.3	27.2	193.5	26.1
	12	10	256.1	32.3	242.5	30.2	229.7	28.7	216.0	27.0	202.3	25.4	193.5	24.3
	17	15	256.1	29.4	242.5	27.8	229.7	26.3	216.0	24.7	202.3	23.2	193.5	22.1
	22	20	256.1	27.1	242.5	25.5	229.7	24.1	216.0	22.6	202.3	21.1	193.5	20.1
	27	24	256.1	25.1	242.5	23.6	229.7	22.3	216.0	20.8	202.3	19.5	193.5	18.8
	32	29	256.1	22.9	242.5	21.5	229.7	20.3	216.0	19.1	202.3	18.0	193.5	17.4
	37	34	256.1	20.8	242.5	19.5	229.7	18.5	216.0	17.6	202.3	16.6	193.5	16.0
	42	38	256.1	19.2	242.5	18.2	229.7	17.3	216.0	16.4	202.3	15.5	193.5	14.9
	47	43	256.1	17.6	242.5	16.7	229.7	15.9	216.0	15.0	202.3	14.2	193.5	13.6
	52	47	256.1	16.4	242.5	15.6	229.7	14.8	216.0	14.0	202.3	13.2	193.5	12.7
	57	52	256.1	15.0	242.5	14.2	229.7	13.5	216.0	12.7	202.3	12.0	193.5	11.5
62	56	256.1	13.9	242.5	13.2	229.7	12.5	216.0	11.8	202.3	11.1	193.5	10.7	
67	61	256.1	12.6	242.5	12.0	229.7	11.4	216.0	10.7	202.3	10.1	193.5	9.7	
72	66	256.1	11.5	242.5	10.9	229.7	10.4	216.0	9.8	202.3	9.3	193.5	9.2	
75	69	256.1	10.8	242.5	10.3	229.7	9.8	216.0	9.3	202.3	9.1	193.5	8.8	
80	74	256.1	9.9	242.5	9.5	229.7	9.1	216.0	8.7	202.3	8.3	193.5	8.0	

NOTE - Power Input = Compressor + Outdoor Fan Motor.
 MBH = 1000 BTUs per hour.

HEATING CAPACITY - TWO MODULE | VPB240L4

Combination (%)	Outdoor Temperature (°F)		Indoor Temperature - °F Dry Bulb											
			61		64		67		70		73		75	
	Dry Bulb	Wet Bulb	Total Cap. MBH	Power Input kW	Total Cap. MBH	Power Input kW	Total Cap. MBH	Power Input kW	Total Cap. MBH	Power Input kW	Total Cap. MBH	Power Input kW	Total Cap. MBH	Power Input kW
70%	-22	-23	158.6	30.5	156.3	31.4	154.4	32.2	152.6	33.2	150.9	34.2	149.9	34.8
	-17	-18	189.4	34.0	187.2	34.9	185.3	35.8	183.4	36.8	177.1	36.8	169.3	36.1
	-13	-14	224.1	37.8	212.2	36.2	200.9	34.7	189.0	33.3	177.1	32.2	169.3	31.5
	-8	-9	224.1	35.3	212.2	33.6	200.9	32.0	189.0	30.8	177.1	29.7	169.3	28.9
	-3	-4	224.1	33.5	212.2	31.7	200.9	30.4	189.0	29.1	177.1	27.8	169.3	27.0
	2	1	224.1	31.3	212.2	29.8	200.9	28.5	189.0	27.2	177.1	25.8	169.3	24.9
	7	6	224.1	29.0	212.2	27.7	200.9	26.4	189.0	25.0	177.1	23.6	169.3	22.7
	12	10	224.1	27.3	212.2	25.9	200.9	24.7	189.0	23.3	177.1	21.9	169.3	21.0
	17	15	224.1	25.0	212.2	23.7	200.9	22.5	189.0	21.1	177.1	19.8	169.3	19.1
	22	20	224.1	22.8	212.2	21.6	200.9	20.4	189.0	19.3	177.1	18.3	169.3	17.6
	27	24	224.1	21.1	212.2	19.9	200.9	18.9	189.0	18.0	177.1	17.1	169.3	16.5
	32	29	224.1	19.2	212.2	18.3	200.9	17.5	189.0	16.6	177.1	15.8	169.3	15.2
	37	34	224.1	17.6	212.2	16.8	200.9	16.1	189.0	15.3	177.1	14.5	169.3	14.0
	42	38	224.1	16.5	212.2	15.7	200.9	15.0	189.0	14.2	177.1	13.5	169.3	13.0
	47	43	224.1	15.1	212.2	14.4	200.9	13.7	189.0	13.0	177.1	12.3	169.3	11.9
	52	47	224.1	14.0	212.2	13.4	200.9	12.7	189.0	12.1	177.1	11.4	169.3	11.0
	57	52	224.1	12.7	212.2	12.1	200.9	11.6	189.0	11.0	177.1	10.4	169.3	10.0
	62	56	224.1	11.8	212.2	11.2	200.9	10.7	189.0	10.2	177.1	9.6	169.3	9.4
	67	61	224.1	10.7	212.2	10.2	200.9	9.7	189.0	9.3	177.1	9.0	169.3	8.7
	72	66	224.1	9.7	212.2	9.3	200.9	9.0	189.0	8.7	177.1	8.3	169.3	8.0
75	69	224.1	9.2	212.2	8.9	200.9	8.8	189.0	8.3	177.1	7.9	169.3	7.7	
80	74	224.1	8.5	212.2	8.4	200.9	8.0	189.0	7.6	177.1	7.2	169.3	6.9	
60%	-22	-23	154.7	31.9	152.8	32.8	151.2	33.7	149.6	34.6	148.3	35.7	145.1	35.9
	-17	-18	185.0	35.7	181.9	36.3	172.2	35.4	162.0	34.5	151.8	33.6	145.1	33.0
	-13	-14	192.1	32.6	181.9	31.8	172.2	31.0	162.0	30.0	151.8	29.1	145.1	28.5
	-8	-9	192.1	30.3	181.9	29.3	172.2	28.4	162.0	27.4	151.8	26.4	145.1	25.8
	-3	-4	192.1	28.6	181.9	27.6	172.2	26.6	162.0	25.5	151.8	24.5	145.1	23.7
	2	1	192.1	26.7	181.9	25.6	172.2	24.6	162.0	23.5	151.8	22.3	145.1	21.6
	7	6	192.1	24.6	181.9	23.5	172.2	22.5	162.0	21.3	151.8	20.2	145.1	19.4
	12	10	192.1	22.9	181.9	21.8	172.2	20.8	162.0	19.7	151.8	18.7	145.1	18.0
	17	15	192.1	20.8	181.9	19.7	172.2	18.9	162.0	18.0	151.8	17.1	145.1	16.5
	22	20	192.1	18.9	181.9	18.1	172.2	17.4	162.0	16.6	151.8	15.8	145.1	15.3
	27	24	192.1	17.6	181.9	16.9	172.2	16.2	162.0	15.5	151.8	14.8	145.1	14.3
	32	29	192.1	16.3	181.9	15.6	172.2	14.9	162.0	14.3	151.8	13.6	145.1	13.2
	37	34	192.1	14.9	181.9	14.3	172.2	13.7	162.0	13.1	151.8	12.4	145.1	12.0
	42	38	192.1	13.9	181.9	13.3	172.2	12.8	162.0	12.2	151.8	11.6	145.1	11.2
	47	43	192.1	12.7	181.9	12.1	172.2	11.6	162.0	11.1	151.8	10.5	145.1	10.1
	52	47	192.1	11.8	181.9	11.3	172.2	10.8	162.0	10.2	151.8	9.7	145.1	9.6
	57	52	192.1	10.7	181.9	10.2	172.2	9.8	162.0	9.4	151.8	9.0	145.1	8.7
	62	56	192.1	9.9	181.9	9.4	172.2	9.2	162.0	8.8	151.8	8.4	145.1	8.1
	67	61	192.1	9.0	181.9	8.9	172.2	8.5	162.0	8.1	151.8	7.7	145.1	7.4
	72	66	192.1	8.5	181.9	8.1	172.2	7.8	162.0	7.5	151.8	7.1	145.1	6.9
75	69	192.1	8.1	181.9	7.8	172.2	7.5	162.0	7.2	151.8	6.9	145.1	6.7	
80	74	192.1	7.4	181.9	7.0	172.2	6.7	162.0	6.4	151.8	6.1	145.1	5.9	

NOTE - Power Input = Compressor + Outdoor Fan Motor.
 MBH = 1000 BTUs per hour.

HEATING CAPACITY - TWO MODULE | VPB240L4

Combination (%)	Outdoor Temperature (°F)		Indoor Temperature - °F Dry Bulb											
			61		64		67		70		73		75	
	Dry Bulb	Wet Bulb	Total Cap. MBH	Power Input kW	Total Cap. MBH	Power Input kW	Total Cap. MBH	Power Input kW	Total Cap. MBH	Power Input kW	Total Cap. MBH	Power Input kW	Total Cap. MBH	Power Input kW
50%	-22	-23	150.5	33.8	151.6	35.3	143.5	34.7	135.0	34.1	126.5	33.4	120.9	32.9
	-17	-18	160.1	33.2	151.6	32.5	143.5	31.8	135.0	31.1	126.5	30.3	120.9	29.8
	-13	-14	160.1	28.9	151.6	28.2	143.5	27.5	135.0	26.7	126.5	25.9	120.9	25.4
	-8	-9	160.1	26.3	151.6	25.6	143.5	24.8	135.0	24.0	126.5	23.2	120.9	22.6
	-3	-4	160.1	24.4	151.6	23.6	143.5	22.8	135.0	21.9	126.5	21.0	120.9	20.3
	2	1	160.1	22.4	151.6	21.5	143.5	20.7	135.0	19.7	126.5	18.6	120.9	17.9
	7	6	160.1	20.3	151.6	19.4	143.5	18.6	135.0	17.7	126.5	16.8	120.9	16.3
	12	10	160.1	18.7	151.6	18.0	143.5	17.2	135.0	16.5	126.5	15.7	120.9	15.2
	17	15	160.1	17.1	151.6	16.4	143.5	15.8	135.0	15.2	126.5	14.5	120.9	14.1
	22	20	160.1	15.8	151.6	15.2	143.5	14.6	135.0	14.0	126.5	13.4	120.9	13.0
	27	24	160.1	14.7	151.6	14.2	143.5	13.7	135.0	13.1	126.5	12.5	120.9	12.2
	32	29	160.1	13.6	151.6	13.1	143.5	12.6	135.0	12.1	126.5	11.5	120.9	11.2
	37	34	160.1	12.4	151.6	11.9	143.5	11.5	135.0	11.0	126.5	10.5	120.9	10.2
	42	38	160.1	11.5	151.6	11.1	143.5	10.6	135.0	10.2	126.5	9.8	120.9	9.6
	47	43	160.1	10.5	151.6	10.0	143.5	9.6	135.0	9.4	126.5	9.0	120.9	8.7
	52	47	160.1	9.7	151.6	9.3	143.5	9.2	135.0	8.7	126.5	8.3	120.9	8.0
	57	52	160.1	9.0	151.6	8.7	143.5	8.3	135.0	7.9	126.5	7.5	120.9	7.3
62	56	160.1	8.4	151.6	8.0	143.5	7.7	135.0	7.3	126.5	7.0	120.9	6.8	
67	61	160.1	7.6	151.6	7.3	143.5	7.0	135.0	6.7	126.5	6.4	120.9	6.2	
72	66	160.1	7.0	151.6	6.8	143.5	6.5	135.0	6.3	126.5	6.0	120.9	5.9	
75	69	160.1	6.7	151.6	6.5	143.5	6.3	135.0	6.1	126.5	5.9	120.9	5.7	
80	74	160.1	6.2	151.6	5.9	143.5	5.7	135.0	5.4	126.5	5.1	120.9	4.9	

NOTE - Power Input = Compressor + Outdoor Fan Motor.
 MBH = 1000 BTUs per hour.

COOLING CAPACITY - THREE MODULE | VPB264L4

Combination (%)	Outdoor Temperature °F (Dry Bulb)	Indoor Temperature - °F (Dry Bulb / Wet Bulb)											
		67 / 57		71 / 60		75 / 63		80 / 67		85 / 71		90 / 75	
		Total Cap.	Power Input	Total Cap.	Power Input	Total Cap.	Power Input	Total Cap.	Power Input	Total Cap.	Power Input	Total Cap.	Power Input
		MBH	kW	MBH	kW	MBH	kW	MBH	kW	MBH	kW	MBH	kW
50%	-10	75.1	2.3	94.6	3.0	110.3	3.5	132.0	4.3	154.7	5.2	176.3	6.0
	-5	77.8	2.6	94.6	3.2	110.3	3.8	132.0	4.6	154.7	5.5	176.3	6.4
	10	77.8	2.7	94.6	3.3	110.3	3.9	132.0	4.7	154.7	5.6	176.3	6.6
	15	77.8	2.7	94.6	3.3	110.3	3.9	132.0	4.8	154.7	5.7	176.3	6.7
	20	77.8	2.8	94.6	3.4	110.3	4.0	132.0	4.9	154.7	5.9	176.3	6.9
	25	77.8	2.8	94.6	3.5	110.3	4.1	132.0	5.0	154.7	6.0	176.3	7.0
	30	77.8	2.9	94.6	3.6	110.3	4.2	132.0	5.1	154.7	6.1	176.3	7.2
	35	77.8	3.0	94.6	3.7	110.3	4.3	132.0	5.3	154.7	6.3	176.3	7.3
	40	77.8	3.0	94.6	3.7	110.3	4.4	132.0	5.4	154.7	6.4	176.3	7.5
	45	77.8	3.1	94.6	3.8	110.3	4.5	132.0	5.5	154.7	6.6	176.3	7.7
	50	77.8	3.2	94.6	3.9	110.3	4.6	132.0	5.7	154.7	6.8	176.3	7.9
	55	77.8	3.3	94.6	4.0	110.3	4.8	132.0	5.8	154.7	7.0	176.3	8.1
	60	77.8	3.4	94.6	4.1	110.3	4.9	132.0	6.0	154.7	7.1	176.3	8.3
	65	77.8	3.5	94.6	4.3	110.3	5.0	132.0	6.1	154.7	7.3	176.3	8.6
	70	77.8	3.8	94.6	4.6	110.3	5.5	132.0	6.7	154.7	8.0	176.3	9.3
	75	77.8	4.1	94.6	5.1	110.3	6.0	132.0	7.3	154.7	8.8	176.3	10.2
	80	77.8	4.5	94.6	5.6	110.3	6.6	132.0	8.0	154.7	9.6	176.3	11.2
	85	77.8	5.0	94.6	6.1	110.3	7.2	132.0	8.8	154.7	10.6	176.3	12.3
	90	77.8	5.5	94.6	6.7	110.3	7.9	132.0	9.7	154.7	11.6	176.3	13.5
	95	77.8	6.0	94.6	7.3	110.3	8.7	132.0	10.6	154.7	12.6	176.3	14.8
100	77.8	6.5	94.6	8.0	110.3	9.4	132.0	11.5	154.7	13.7	176.3	16.1	
105	77.8	7.0	94.6	8.6	110.3	10.2	132.0	12.4	154.7	14.8	176.3	17.3	
110	77.8	7.5	94.6	9.2	110.3	10.9	132.0	13.3	154.7	15.9	176.3	18.5	
115	77.8	7.9	94.6	9.7	110.3	11.5	132.0	14.0	154.7	16.8	176.3	19.6	
118	77.8	8.2	94.6	10.0	110.3	11.8	132.0	14.4	154.7	17.3	176.3	20.2	
125	77.8	8.5	94.6	10.5	110.3	12.3	129.0	14.7	143.1	16.5	156.0	18.3	

NOTE - Power Input = Compressor + Outdoor Fan Motor.
 MBH = 1000 BTUs per hour.

HEATING CAPACITY - THREE MODULE | VPB264L4

Combination (%)	Outdoor Temperature (°F)		Indoor Temperature - °F Dry Bulb											
			61		64		67		70		73		75	
	Dry Bulb	Wet Bulb	Total Cap.	Power Input	Total Cap.	Power Input	Total Cap.	Power Input	Total Cap.	Power Input	Total Cap.	Power Input	Total Cap.	Power Input
110%	-22	-23	189.6	32.5	186.0	33.2	183.0	33.9	180.0	34.6	177.2	35.4	175.5	35.9
	-17	-18	229.5	34.5	225.0	35.3	221.1	36.0	217.4	36.8	214.0	37.7	212.0	38.2
	-13	-14	266.0	36.6	262.2	37.5	258.9	38.4	255.9	39.4	253.2	40.4	251.6	41.1
	-8	-9	284.4	37.6	281.2	38.6	278.4	39.6	275.9	40.6	273.8	41.7	272.6	42.4
	-3	-4	295.1	38.3	292.2	39.3	289.8	40.3	287.6	41.3	285.8	42.5	283.1	42.9
	2	1	305.4	39.3	302.7	40.3	300.5	41.3	298.6	42.4	296.1	43.4	292.7	42.8
	7	6	316.8	39.9	314.3	40.9	312.3	41.9	310.5	43.1	306.1	42.6	292.7	40.0
	12	10	328.2	40.5	325.9	41.5	324.0	42.6	326.7	44.0	306.1	39.9	292.7	37.2
	17	15	345.5	41.3	343.3	42.4	342.6	43.2	326.7	39.9	306.1	35.9	292.7	33.3
	22	20	364.7	42.3	361.5	42.4	347.3	39.6	326.7	35.8	306.1	32.0	292.7	29.7
	27	24	380.7	42.0	366.8	39.5	347.3	36.0	326.7	32.4	306.1	29.0	292.7	27.4
	32	29	387.4	38.6	366.8	35.2	347.3	32.0	326.7	28.9	306.1	26.7	292.7	25.3
	37	34	387.4	34.2	366.8	31.1	347.3	28.6	326.7	26.5	306.1	24.4	292.7	23.1
	42	38	387.4	31.1	366.8	28.6	347.3	26.7	326.7	24.7	306.1	22.8	292.7	21.5
	47	43	387.4	28.0	366.8	26.1	347.3	24.4	326.7	22.5	306.1	20.7	292.7	19.6
	52	47	387.4	26.1	366.8	24.3	347.3	22.6	326.7	20.9	306.1	19.3	292.7	18.4
	57	52	387.4	23.7	366.8	22.1	347.3	20.6	326.7	19.0	306.1	17.8	292.7	17.0
	62	56	387.4	22.0	366.8	20.4	347.3	19.0	326.7	17.8	306.1	16.6	292.7	15.9
	67	61	387.4	19.8	366.8	18.4	347.3	17.4	326.7	16.3	306.1	15.3	292.7	14.6
	72	66	387.4	17.9	366.8	16.8	347.3	15.9	326.7	14.9	306.1	13.9	292.7	13.3
75	69	387.4	16.9	366.8	15.9	347.3	15.0	326.7	14.1	306.1	13.2	292.7	12.6	
80	74	387.4	15.4	366.8	14.5	347.3	13.7	326.7	12.9	306.1	12.0	292.7	11.5	
100%	-22	-23	186.3	33.0	183.0	33.7	180.2	34.3	177.3	35.1	174.8	35.9	173.2	36.4
	-17	-18	224.9	35.1	220.8	35.9	217.3	36.6	213.8	37.5	210.8	38.3	208.9	38.9
	-13	-14	261.3	37.5	257.9	38.4	255.1	39.3	252.5	40.3	250.2	41.3	248.9	42.0
	-8	-9	280.0	38.6	277.2	39.6	274.9	40.6	272.8	41.7	273.2	43.1	266.1	42.2
	-3	-4	291.0	39.3	288.5	40.4	286.5	41.4	284.8	42.5	278.2	41.9	266.1	39.8
	2	1	301.5	40.4	299.3	41.5	297.5	42.5	297.0	43.3	278.2	39.8	266.1	37.4
	7	6	313.0	41.1	311.0	42.2	312.6	43.7	297.0	40.5	278.2	36.8	266.1	34.4
	12	10	324.6	41.7	322.7	42.8	315.8	41.4	297.0	37.7	278.2	34.0	266.1	31.6
	17	15	345.3	43.0	333.4	40.8	315.8	37.4	297.0	33.8	278.2	30.3	266.1	28.2
	22	20	352.2	40.1	333.4	36.6	315.8	33.4	297.0	30.1	278.2	27.4	266.1	26.0
	27	24	352.2	36.4	333.4	33.2	315.8	30.2	297.0	27.6	278.2	25.6	266.1	24.2
	32	29	352.2	32.3	333.4	29.5	315.8	27.4	297.0	25.4	278.2	23.5	266.1	22.3
	37	34	352.2	28.7	333.4	26.8	315.8	25.1	297.0	23.3	278.2	21.5	266.1	20.3
	42	38	352.2	26.7	333.4	25.0	315.8	23.4	297.0	21.6	278.2	20.0	266.1	19.0
	47	43	352.2	24.4	333.4	22.8	315.8	21.3	297.0	19.7	278.2	18.4	266.1	17.6
	52	47	352.2	22.7	333.4	21.1	315.8	19.7	297.0	18.4	278.2	17.3	266.1	16.6
	57	52	352.2	20.6	333.4	19.2	315.8	18.0	297.0	17.0	278.2	15.9	266.1	15.3
	62	56	352.2	19.0	333.4	17.9	315.8	16.9	297.0	15.9	278.2	14.9	266.1	14.3
	67	61	352.2	17.3	333.4	16.4	315.8	15.5	297.0	14.6	278.2	13.7	266.1	13.1
	72	66	352.2	15.8	333.4	14.9	315.8	14.1	297.0	13.3	278.2	12.5	266.1	12.0
75	69	352.2	14.9	333.4	14.1	315.8	13.4	297.0	12.6	278.2	11.8	266.1	11.4	
80	74	352.2	13.6	333.4	12.9	315.8	12.2	297.0	11.5	278.2	10.8	266.1	10.3	

NOTE - Power Input = Compressor + Outdoor Fan Motor.
MBH = 1000 BTUs per hour.

HEATING CAPACITY - THREE MODULE | VPB264L4

Combination (%)	Outdoor Temperature (°F)		Indoor Temperature - °F Dry Bulb											
			61		64		67		70		73		75	
	Dry Bulb	Wet Bulb	Total Cap.	Power Input	Total Cap.	Power Input	Total Cap.	Power Input	Total Cap.	Power Input	Total Cap.	Power Input	Total Cap.	Power Input
			MBH	kW	MBH	kW	MBH	kW	MBH	kW	MBH	kW	MBH	kW
90%	-22	-23	182.9	33.5	179.8	34.2	177.2	34.9	174.6	35.7	172.2	36.5	170.8	37.0
	-17	-18	220.1	35.9	216.4	36.7	213.2	37.4	210.2	38.3	207.4	39.1	205.8	39.7
	-13	-14	256.5	38.5	253.7	39.5	251.3	40.4	249.1	41.4	247.2	42.4	239.5	41.3
	-8	-9	275.6	39.9	273.4	40.9	271.6	41.9	267.3	42.0	250.4	39.3	239.5	37.5
	-3	-4	286.9	40.7	285.0	41.7	284.2	42.4	267.3	39.5	250.4	36.6	239.5	34.6
	2	1	297.7	41.8	300.1	43.3	284.2	40.4	267.3	37.3	250.4	34.1	239.5	32.0
	7	6	313.1	43.1	300.1	40.6	284.2	37.6	267.3	34.3	250.4	31.0	239.5	29.1
	12	10	317.0	41.0	300.1	37.8	284.2	34.8	267.3	31.5	250.4	28.5	239.5	26.8
	17	15	317.0	37.1	300.1	33.9	284.2	31.0	267.3	28.1	250.4	26.0	239.5	24.7
	22	20	317.0	33.1	300.1	30.2	284.2	27.7	267.3	25.8	250.4	24.0	239.5	22.8
	27	24	317.0	29.9	300.1	27.6	284.2	25.9	267.3	24.1	250.4	22.3	239.5	21.1
	32	29	317.0	27.1	300.1	25.3	284.2	23.7	267.3	22.1	250.4	20.4	239.5	19.4
	37	34	317.0	24.8	300.1	23.2	284.2	21.7	267.3	20.1	250.4	18.7	239.5	18.0
	42	38	317.0	23.0	300.1	21.5	284.2	20.2	267.3	18.8	250.4	17.7	239.5	17.0
	47	43	317.0	21.0	300.1	19.6	284.2	18.4	267.3	17.4	250.4	16.4	239.5	15.7
	52	47	317.0	19.4	300.1	18.3	284.2	17.3	267.3	16.4	250.4	15.4	239.5	14.8
	57	52	317.0	17.7	300.1	16.8	284.2	16.0	267.3	15.1	250.4	14.2	239.5	13.6
	62	56	317.0	16.6	300.1	15.8	284.2	15.0	267.3	14.1	250.4	13.3	239.5	12.8
	67	61	317.0	15.2	300.1	14.4	284.2	13.7	267.3	12.9	250.4	12.2	239.5	11.7
	72	66	317.0	13.9	300.1	13.2	284.2	12.5	267.3	11.8	250.4	11.2	239.5	10.7
75	69	317.0	13.1	300.1	12.4	284.2	11.8	267.3	11.2	250.4	10.6	239.5	10.2	
80	74	317.0	11.9	300.1	11.3	284.2	10.7	267.3	10.2	250.4	9.6	239.5	9.2	
80%	-22	-23	179.2	34.2	176.4	34.9	174.0	35.7	171.6	36.4	169.5	37.3	168.2	37.8
	-17	-18	215.0	36.8	211.7	37.6	209.0	38.4	206.3	39.3	204.0	40.2	202.6	40.8
	-13	-14	251.8	39.9	249.4	40.9	248.7	42.0	237.6	40.5	222.6	38.3	212.9	36.7
	-8	-9	271.5	41.4	266.7	41.3	252.6	39.1	237.6	36.7	222.6	34.3	212.9	32.8
	-3	-4	281.8	41.3	266.7	38.9	252.6	36.5	237.6	33.9	222.6	31.3	212.9	29.7
	2	1	281.8	39.4	266.7	36.6	252.6	34.0	237.6	31.3	222.6	28.7	212.9	27.0
	7	6	281.8	36.5	266.7	33.6	252.6	31.0	237.6	28.4	222.6	26.1	212.9	24.9
	12	10	281.8	33.7	266.7	30.9	252.6	28.5	237.6	26.3	222.6	24.5	212.9	23.3
	17	15	281.8	30.0	266.7	27.6	252.6	25.9	237.6	24.2	222.6	22.5	212.9	21.4
	22	20	281.8	27.0	266.7	25.3	252.6	23.8	237.6	22.2	222.6	20.6	212.9	19.6
	27	24	281.8	25.1	266.7	23.6	252.6	22.2	237.6	20.6	222.6	19.2	212.9	18.3
	32	29	281.8	23.1	266.7	21.6	252.6	20.3	237.6	18.9	222.6	17.8	212.9	17.2
	37	34	281.8	21.1	266.7	19.7	252.6	18.6	237.6	17.6	222.6	16.6	212.9	16.0
	42	38	281.8	19.6	266.7	18.4	252.6	17.5	237.6	16.6	222.6	15.7	212.9	15.1
	47	43	281.8	17.9	266.7	17.0	252.6	16.2	237.6	15.4	222.6	14.5	212.9	14.0
	52	47	281.8	16.8	266.7	16.0	252.6	15.2	237.6	14.4	222.6	13.6	212.9	13.1
	57	52	281.8	15.5	266.7	14.7	252.6	14.0	237.6	13.3	222.6	12.5	212.9	12.1
	62	56	281.8	14.5	266.7	13.8	252.6	13.1	237.6	12.4	222.6	11.7	212.9	11.3
	67	61	281.8	13.2	266.7	12.6	252.6	12.0	237.6	11.4	222.6	10.8	212.9	10.4
	72	66	281.8	12.1	266.7	11.5	252.6	11.0	237.6	10.4	222.6	9.9	212.9	9.6
75	69	281.8	11.4	266.7	10.9	252.6	10.4	237.6	9.9	222.6	9.5	212.9	9.2	
80	74	281.8	10.3	266.7	9.8	252.6	9.4	237.6	9.0	222.6	8.6	212.9	8.4	

NOTE - Power Input = Compressor + Outdoor Fan Motor.
 MBH = 1000 BTUs per hour.

HEATING CAPACITY - THREE MODULE | VPB264L4

Combination (%)	Outdoor Temperature (°F)		Indoor Temperature - °F Dry Bulb											
			61		64		67		70		73		75	
	Dry Bulb	Wet Bulb	Total Cap.	Power Input	Total Cap.	Power Input	Total Cap.	Power Input	Total Cap.	Power Input	Total Cap.	Power Input	Total Cap.	Power Input
			MBH	kW	MBH	kW	MBH	kW	MBH	kW	MBH	kW	MBH	kW
70%	-22	-23	175.1	35.1	172.7	35.9	170.5	36.6	168.5	37.4	166.6	38.3	165.5	38.9
	-17	-18	209.6	38.0	206.9	38.9	204.6	39.7	202.4	40.6	194.8	39.9	186.3	38.7
	-13	-14	246.5	41.1	233.4	39.2	221.0	37.4	207.9	35.5	194.8	33.7	186.3	32.4
	-8	-9	246.5	37.5	233.4	35.4	221.0	33.4	207.9	31.5	194.8	29.5	186.3	28.2
	-3	-4	246.5	34.7	233.4	32.5	221.0	30.5	207.9	28.5	194.8	26.3	186.3	25.2
	2	1	246.5	32.3	233.4	30.0	221.0	28.0	207.9	25.9	194.8	24.3	186.3	23.2
	7	6	246.5	29.3	233.4	27.1	221.0	25.5	207.9	23.9	194.8	22.3	186.3	21.3
	12	10	246.5	26.9	233.4	25.3	221.0	23.9	207.9	22.4	194.8	20.9	186.3	19.9
	17	15	246.5	24.7	233.4	23.2	221.0	21.9	207.9	20.5	194.8	19.1	186.3	18.2
	22	20	246.5	22.7	233.4	21.3	221.0	20.1	207.9	18.8	194.8	17.7	186.3	17.1
	27	24	246.5	21.1	233.4	19.8	221.0	18.7	207.9	17.7	194.8	16.7	186.3	16.1
	32	29	246.5	19.3	233.4	18.2	221.0	17.4	207.9	16.5	194.8	15.6	186.3	15.1
	37	34	246.5	17.7	233.4	16.9	221.0	16.2	207.9	15.4	194.8	14.6	186.3	14.0
	42	38	246.5	16.7	233.4	16.0	221.0	15.2	207.9	14.5	194.8	13.7	186.3	13.2
	47	43	246.5	15.5	233.4	14.8	221.0	14.1	207.9	13.4	194.8	12.7	186.3	12.2
	52	47	246.5	14.5	233.4	13.9	221.0	13.2	207.9	12.6	194.8	11.9	186.3	11.5
	57	52	246.5	13.4	233.4	12.7	221.0	12.2	207.9	11.6	194.8	11.0	186.3	10.6
	62	56	246.5	12.5	233.4	11.9	221.0	11.4	207.9	10.8	194.8	10.3	186.3	10.0
67	61	246.5	11.4	233.4	10.9	221.0	10.4	207.9	9.9	194.8	9.6	186.3	9.3	
72	66	246.5	10.4	233.4	10.0	221.0	9.6	207.9	9.3	194.8	8.9	186.3	8.6	
75	69	246.5	9.9	233.4	9.5	221.0	9.2	207.9	8.9	194.8	8.5	186.3	8.2	
80	74	246.5	8.9	233.4	8.7	221.0	8.3	207.9	8.0	194.8	7.6	186.3	7.3	
60%	-22	-23	170.7	36.4	168.6	37.2	166.8	37.9	165.1	38.8	165.2	40.1	159.7	39.5
	-17	-18	204.0	39.7	200.1	39.9	189.5	38.5	178.2	36.9	166.9	35.2	159.7	34.1
	-13	-14	211.3	35.2	200.1	33.7	189.5	32.3	178.2	30.7	166.9	29.0	159.7	27.9
	-8	-9	211.3	31.3	200.1	29.7	189.5	28.2	178.2	26.5	166.9	25.0	159.7	24.0
	-3	-4	211.3	28.4	200.1	26.6	189.5	25.1	178.2	23.7	166.9	22.4	159.7	21.5
	2	1	211.3	25.7	200.1	24.4	189.5	23.1	178.2	21.8	166.9	20.5	159.7	19.6
	7	6	211.3	23.8	200.1	22.5	189.5	21.3	178.2	20.0	166.9	18.7	159.7	17.9
	12	10	211.3	22.2	200.1	21.0	189.5	19.8	178.2	18.6	166.9	17.5	159.7	16.9
	17	15	211.3	20.3	200.1	19.2	189.5	18.1	178.2	17.2	166.9	16.3	159.7	15.8
	22	20	211.3	18.6	200.1	17.7	189.5	16.9	178.2	16.1	166.9	15.3	159.7	14.8
	27	24	211.3	17.4	200.1	16.7	189.5	16.0	178.2	15.2	166.9	14.5	159.7	14.0
	32	29	211.3	16.3	200.1	15.6	189.5	14.9	178.2	14.2	166.9	13.5	159.7	13.1
	37	34	211.3	15.1	200.1	14.5	189.5	13.9	178.2	13.2	166.9	12.6	159.7	12.2
	42	38	211.3	14.3	200.1	13.7	189.5	13.1	178.2	12.5	166.9	11.9	159.7	11.5
	47	43	211.3	13.2	200.1	12.6	189.5	12.1	178.2	11.5	166.9	11.0	159.7	10.6
	52	47	211.3	12.4	200.1	11.8	189.5	11.3	178.2	10.8	166.9	10.3	159.7	10.0
	57	52	211.3	11.4	200.1	10.9	189.5	10.4	178.2	10.0	166.9	9.6	159.7	9.3
	62	56	211.3	10.6	200.1	10.2	189.5	9.8	178.2	9.5	166.9	9.0	159.7	8.7
67	61	211.3	9.7	200.1	9.5	189.5	9.1	178.2	8.8	166.9	8.3	159.7	8.1	
72	66	211.3	9.0	200.1	8.8	189.5	8.5	178.2	8.1	166.9	7.7	159.7	7.5	
75	69	211.3	8.7	200.1	8.4	189.5	8.1	178.2	7.7	166.9	7.4	159.7	7.1	
80	74	211.3	7.8	200.1	7.5	189.5	7.2	178.2	6.8	166.9	6.5	159.7	6.2	

NOTE - Power Input = Compressor + Outdoor Fan Motor.
 MBH = 1000 BTUs per hour.

HEATING CAPACITY - THREE MODULE | VPB264L4

Combination (%)	Outdoor Temperature (°F)		Indoor Temperature - °F Dry Bulb											
			61		64		67		70		73		75	
	Dry Bulb	Wet Bulb	Total Cap. MBH	Power Input kW	Total Cap. MBH	Power Input kW	Total Cap. MBH	Power Input kW	Total Cap. MBH	Power Input kW	Total Cap. MBH	Power Input kW	Total Cap. MBH	Power Input kW
50%	-22	-23	165.8	38.2	166.7	39.6	157.9	38.4	148.5	37.1	139.1	35.8	133.0	34.8
	-17	-18	176.1	35.7	166.7	34.4	157.9	33.1	148.5	31.6	139.1	30.0	133.0	29.0
	-13	-14	176.1	29.6	166.7	28.3	157.9	27.1	148.5	25.8	139.1	24.4	133.0	23.5
	-8	-9	176.1	25.5	166.7	24.3	157.9	23.2	148.5	22.0	139.1	20.8	133.0	20.1
	-3	-4	176.1	22.9	166.7	21.8	157.9	20.7	148.5	19.6	139.1	18.5	133.0	17.8
	2	1	176.1	21.0	166.7	19.9	157.9	18.9	148.5	17.8	139.1	16.8	133.0	16.2
	7	6	176.1	19.2	166.7	18.1	157.9	17.3	148.5	16.4	139.1	15.6	133.0	15.1
	12	10	176.1	17.8	166.7	17.0	157.9	16.3	148.5	15.6	139.1	14.8	133.0	14.3
	17	15	176.1	16.5	166.7	15.9	157.9	15.2	148.5	14.6	139.1	13.9	133.0	13.4
	22	20	176.1	15.5	166.7	14.9	157.9	14.3	148.5	13.7	139.1	13.0	133.0	12.6
	27	24	176.1	14.6	166.7	14.1	157.9	13.5	148.5	12.9	139.1	12.3	133.0	11.9
	32	29	176.1	13.7	166.7	13.1	157.9	12.6	148.5	12.1	139.1	11.5	133.0	11.2
	37	34	176.1	12.7	166.7	12.2	157.9	11.7	148.5	11.2	139.1	10.7	133.0	10.4
	42	38	176.1	11.9	166.7	11.5	157.9	11.0	148.5	10.5	139.1	10.1	133.0	9.9
	47	43	176.1	11.0	166.7	10.6	157.9	10.2	148.5	9.8	139.1	9.4	133.0	9.1
	52	47	176.1	10.3	166.7	9.9	157.9	9.7	148.5	9.3	139.1	8.9	133.0	8.6
	57	52	176.1	9.6	166.7	9.3	157.9	9.0	148.5	8.6	139.1	8.2	133.0	7.9
62	56	176.1	9.1	166.7	8.7	157.9	8.4	148.5	8.0	139.1	7.7	133.0	7.4	
67	61	176.1	8.4	166.7	8.1	157.9	7.7	148.5	7.4	139.1	7.1	133.0	6.9	
72	66	176.1	7.7	166.7	7.4	157.9	7.2	148.5	6.9	139.1	6.6	133.0	6.4	
75	69	176.1	7.3	166.7	7.1	157.9	6.8	148.5	6.6	139.1	6.3	133.0	6.2	
80	74	176.1	6.6	166.7	6.3	157.9	6.0	148.5	5.8	139.1	5.5	133.0	5.3	

NOTE - Power Input = Compressor + Outdoor Fan Motor.
 MBH = 1000 BTUs per hour.

COOLING CAPACITY - THREE MODULE | VPB288L4

Combination (%)	Outdoor Temperature °F (Dry Bulb)	Indoor Temperature - °F (Dry Bulb / Wet Bulb)											
		67 / 57		71 / 60		75 / 63		80 / 67		85 / 71		90 / 75	
		Total Cap.	Power Input	Total Cap.	Power Input	Total Cap.	Power Input	Total Cap.	Power Input	Total Cap.	Power Input	Total Cap.	Power Input
		MBH	kW	MBH	kW	MBH	kW	MBH	kW	MBH	kW	MBH	kW
70%	-10	118.9	3.8	144.4	4.7	168.5	5.6	201.6	6.8	236.2	8.1	269.3	9.5
	-5	118.9	4.1	144.4	5.0	168.5	5.9	201.6	7.2	236.2	8.6	269.3	10.1
	10	118.9	4.2	144.4	5.1	168.5	6.0	201.6	7.4	236.2	8.8	269.3	10.3
	15	118.9	4.3	144.4	5.2	168.5	6.2	201.6	7.5	236.2	9.0	269.3	10.5
	20	118.9	4.3	144.4	5.3	168.5	6.3	201.6	7.7	236.2	9.2	269.3	10.8
	25	118.9	4.4	144.4	5.5	168.5	6.5	201.6	7.9	236.2	9.4	269.3	11.0
	30	118.9	4.6	144.4	5.6	168.5	6.6	201.6	8.0	236.2	9.6	269.3	11.3
	35	118.9	4.7	144.4	5.7	168.5	6.8	201.6	8.2	236.2	9.9	269.3	11.5
	40	118.9	4.8	144.4	5.9	168.5	6.9	201.6	8.4	236.2	10.1	269.3	11.8
	45	118.9	4.9	144.4	6.0	168.5	7.1	201.6	8.7	236.2	10.4	269.3	12.1
	50	118.9	5.0	144.4	6.2	168.5	7.3	201.6	8.9	236.2	10.6	269.3	12.4
	55	118.9	5.2	144.4	6.3	168.5	7.5	201.6	9.1	236.2	10.9	269.3	12.7
	60	118.9	5.3	144.4	6.5	168.5	7.7	201.6	9.4	236.2	11.2	269.3	13.1
	65	118.9	5.4	144.4	6.7	168.5	7.9	201.6	9.6	236.2	11.5	269.3	13.5
	70	118.9	5.9	144.4	7.3	168.5	8.6	201.6	10.5	236.2	12.5	269.3	14.6
	75	118.9	6.5	144.4	8.0	168.5	9.4	201.6	11.5	236.2	13.8	269.3	16.1
	80	118.9	7.1	144.4	8.8	168.5	10.3	201.6	12.6	236.2	15.1	269.3	17.6
	85	118.9	7.8	144.4	9.6	168.5	11.4	201.6	13.8	236.2	16.6	269.3	19.4
	90	118.9	8.6	144.4	10.5	168.5	12.4	201.6	15.2	236.2	18.2	269.3	21.2
	95	118.9	9.4	144.4	11.5	168.5	13.6	201.6	16.6	236.2	19.8	269.3	23.2
100	118.9	10.2	144.4	12.5	168.5	14.8	201.6	18.0	236.2	21.6	269.3	25.2	
105	118.9	11.0	144.4	13.5	168.5	16.0	201.6	19.4	236.2	23.3	269.3	27.2	
110	118.9	11.8	144.4	14.5	168.5	17.1	201.6	20.8	236.2	24.9	269.1	29.1	
115	118.9	12.4	144.4	15.3	168.5	18.1	201.6	22.0	234.1	26.1	255.3	29.0	
118	118.9	12.8	144.4	15.7	168.5	18.6	201.6	22.6	224.3	25.6	238.0	27.7	
125	117.1	13.1	137.3	15.5	150.4	17.1	162.1	18.7	167.0	19.7	170.2	20.6	
60%	-10	101.9	3.2	123.8	4.0	144.4	4.7	172.8	5.7	202.5	6.9	230.8	8.0
	-5	101.9	3.4	123.8	4.2	144.4	5.0	172.8	6.1	202.5	7.3	230.8	8.5
	10	101.9	3.5	123.8	4.3	144.4	5.1	172.8	6.2	202.5	7.5	230.8	8.7
	15	101.9	3.6	123.8	4.4	144.4	5.2	172.8	6.4	202.5	7.6	230.8	8.9
	20	101.9	3.7	123.8	4.5	144.4	5.3	172.8	6.5	202.5	7.8	230.8	9.1
	25	101.9	3.8	123.8	4.6	144.4	5.5	172.8	6.6	202.5	8.0	230.8	9.3
	30	101.9	3.8	123.8	4.7	144.4	5.6	172.8	6.8	202.5	8.1	230.8	9.5
	35	101.9	3.9	123.8	4.8	144.4	5.7	172.8	7.0	202.5	8.3	230.8	9.7
	40	101.9	4.0	123.8	5.0	144.4	5.9	172.8	7.1	202.5	8.5	230.8	10.0
	45	101.9	4.1	123.8	5.1	144.4	6.0	172.8	7.3	202.5	8.8	230.8	10.2
	50	101.9	4.2	123.8	5.2	144.4	6.2	172.8	7.5	202.5	9.0	230.8	10.5
	55	101.9	4.4	123.8	5.4	144.4	6.3	172.8	7.7	202.5	9.2	230.8	10.8
	60	101.9	4.5	123.8	5.5	144.4	6.5	172.8	7.9	202.5	9.5	230.8	11.1
	65	101.9	4.6	123.8	5.6	144.4	6.7	172.8	8.1	202.5	9.7	230.8	11.4
	70	101.9	5.0	123.8	6.1	144.4	7.3	172.8	8.8	202.5	10.6	230.8	12.4
	75	101.9	5.5	123.8	6.7	144.4	8.0	172.8	9.7	202.5	11.6	230.8	13.6
	80	101.9	6.0	123.8	7.4	144.4	8.7	172.8	10.7	202.5	12.8	230.8	14.9
	85	101.9	6.6	123.8	8.1	144.4	9.6	172.8	11.7	202.5	14.0	230.8	16.4
	90	101.9	7.2	123.8	8.9	144.4	10.5	172.8	12.8	202.5	15.4	230.8	17.9
	95	101.9	7.9	123.8	9.7	144.4	11.5	172.8	14.0	202.5	16.8	230.8	19.6
100	101.9	8.6	123.8	10.6	144.4	12.5	172.8	15.2	202.5	18.2	230.8	21.3	
105	101.9	9.3	123.8	11.4	144.4	13.5	172.8	16.4	202.5	19.7	230.8	23.0	
110	101.9	9.9	123.8	12.2	144.4	14.4	172.8	17.6	202.5	21.1	230.8	24.6	
115	101.9	10.5	123.8	12.9	144.4	15.3	172.8	18.6	202.5	22.3	230.8	26.0	
118	101.9	10.8	123.8	13.3	144.4	15.7	172.8	19.1	202.5	22.9	222.8	25.7	
125	101.9	11.3	123.8	13.9	139.2	15.7	155.6	17.8	166.4	19.4	170.2	20.3	

NOTE - Power Input = Compressor + Outdoor Fan Motor.
 MBH = 1000 BTUs per hour.

COOLING CAPACITY - THREE MODULE | VPB288L4

Combination (%)	Outdoor Temperature °F (Dry Bulb)	Indoor Temperature - °F (Dry Bulb / Wet Bulb)											
		67 / 57		71 / 60		75 / 63		80 / 67		85 / 71		90 / 75	
		Total Cap.	Power Input	Total Cap.	Power Input	Total Cap.	Power Input	Total Cap.	Power Input	Total Cap.	Power Input	Total Cap.	Power Input
		MBH	kW	MBH	kW	MBH	kW	MBH	kW	MBH	kW	MBH	kW
50%	-10	81.1	2.5	103.2	3.3	120.4	3.9	144.0	4.7	168.7	5.6	192.4	6.6
	-5	84.9	2.8	103.2	3.5	120.4	4.1	144.0	5.0	168.7	6.0	192.4	7.0
	10	84.9	2.9	103.2	3.6	120.4	4.2	144.0	5.1	168.7	6.1	192.4	7.2
	15	84.9	3.0	103.2	3.6	120.4	4.3	144.0	5.2	168.7	6.3	192.4	7.3
	20	84.9	3.0	103.2	3.7	120.4	4.4	144.0	5.3	168.7	6.4	192.4	7.5
	25	84.9	3.1	103.2	3.8	120.4	4.5	144.0	5.5	168.7	6.5	192.4	7.6
	30	84.9	3.2	103.2	3.9	120.4	4.6	144.0	5.6	168.7	6.7	192.4	7.8
	35	84.9	3.2	103.2	4.0	120.4	4.7	144.0	5.7	168.7	6.9	192.4	8.0
	40	84.9	3.3	103.2	4.1	120.4	4.8	144.0	5.9	168.7	7.0	192.4	8.2
	45	84.9	3.4	103.2	4.2	120.4	4.9	144.0	6.0	168.7	7.2	192.4	8.4
	50	84.9	3.5	103.2	4.3	120.4	5.1	144.0	6.2	168.7	7.4	192.4	8.6
	55	84.9	3.6	103.2	4.4	120.4	5.2	144.0	6.3	168.7	7.6	192.4	8.9
	60	84.9	3.7	103.2	4.5	120.4	5.3	144.0	6.5	168.7	7.8	192.4	9.1
	65	84.9	3.8	103.2	4.6	120.4	5.5	144.0	6.7	168.7	8.0	192.4	9.3
	70	84.9	4.1	103.2	5.1	120.4	6.0	144.0	7.3	168.7	8.7	192.4	10.2
	75	84.9	4.5	103.2	5.5	120.4	6.5	144.0	8.0	168.7	9.6	192.4	11.2
	80	84.9	5.0	103.2	6.1	120.4	7.2	144.0	8.8	168.7	10.5	192.4	12.3
	85	84.9	5.4	103.2	6.7	120.4	7.9	144.0	9.6	168.7	11.5	192.4	13.4
	90	84.9	6.0	103.2	7.3	120.4	8.6	144.0	10.5	168.7	12.6	192.4	14.7
	95	84.9	6.5	103.2	8.0	120.4	9.4	144.0	11.5	168.7	13.8	192.4	16.1
100	84.9	7.1	103.2	8.7	120.4	10.3	144.0	12.5	168.7	15.0	192.4	17.5	
105	84.9	7.6	103.2	9.4	120.4	11.1	144.0	13.5	168.7	16.2	192.4	18.9	
110	84.9	8.2	103.2	10.0	120.4	11.9	144.0	14.4	168.7	17.3	192.4	20.2	
115	84.9	8.6	103.2	10.6	120.4	12.5	144.0	15.3	168.7	18.3	192.4	21.4	
118	84.9	8.9	103.2	10.9	120.4	12.9	144.0	15.7	168.7	18.8	192.4	22.0	
125	84.9	9.3	103.2	11.4	120.4	13.4	141.0	16.0	157.1	18.1	166.1	19.6	

NOTE - Power Input = Compressor + Outdoor Fan Motor.
 MBH = 1000 BTUs per hour.

HEATING CAPACITY - THREE MODULE | VPB288L4

Combination (%)	Outdoor Temperature (°F)		Indoor Temperature - °F Dry Bulb											
			61		64		67		70		73		75	
	Dry Bulb	Wet Bulb	Total Cap.	Power Input	Total Cap.	Power Input	Total Cap.	Power Input	Total Cap.	Power Input	Total Cap.	Power Input	Total Cap.	Power Input
			MBH	kW	MBH	kW	MBH	kW	MBH	kW	MBH	kW	MBH	kW
130%	-22	-23	213.3	35.2	208.9	36.1	205.1	37.0	201.3	37.9	197.8	38.9	195.6	39.6
	-17	-18	258.5	37.4	253.4	38.3	248.9	39.2	244.6	40.2	240.6	41.2	238.3	41.9
	-13	-14	296.8	39.2	292.7	40.2	289.1	41.3	285.6	42.4	282.4	43.6	280.5	44.3
	-8	-9	314.0	40.2	310.7	41.3	307.9	42.4	305.1	43.6	302.6	44.9	301.1	45.7
	-3	-4	326.7	40.9	323.8	42.0	321.3	43.2	318.9	44.4	316.7	45.7	315.5	46.6
	2	1	338.7	42.1	336.0	43.3	333.6	44.5	331.3	45.7	329.2	47.1	328.0	48.0
	7	6	352.5	42.4	349.9	43.6	347.5	44.8	345.3	46.1	343.2	47.4	342.0	48.3
	12	10	365.7	42.8	363.1	44.0	360.7	45.2	358.5	46.5	356.4	47.9	355.1	48.8
	17	15	385.1	43.5	382.4	44.7	380.1	45.9	377.7	47.2	375.6	48.6	373.7	48.7
	22	20	406.1	44.3	403.4	45.5	401.0	46.7	398.6	48.1	394.6	47.9	377.4	44.9
	27	24	425.7	45.1	422.9	46.3	420.3	47.5	415.1	47.5	394.6	44.0	377.4	41.2
	32	29	450.1	46.1	447.2	47.4	440.6	46.8	421.2	43.9	394.6	39.6	377.4	36.9
	37	34	478.7	47.4	466.2	46.0	447.8	43.3	421.2	39.3	394.6	35.4	377.4	33.3
	42	38	491.2	45.8	472.9	43.3	447.8	39.7	421.2	35.9	394.6	32.8	377.4	31.0
	47	43	499.5	42.4	472.9	38.7	447.8	35.4	421.2	32.5	394.6	29.9	377.4	28.3
	52	47	499.5	38.8	472.9	35.4	447.8	32.7	421.2	30.2	394.6	27.8	377.4	26.3
	57	52	499.5	34.6	472.9	32.1	447.8	29.8	421.2	27.5	394.6	25.3	377.4	23.9
	62	56	499.5	32.1	472.9	29.7	447.8	27.7	421.2	25.5	394.6	23.5	377.4	22.2
	67	61	499.5	29.1	472.9	27.0	447.8	25.1	421.2	23.1	394.6	21.3	377.4	20.3
72	66	499.5	26.3	472.9	24.4	447.8	22.6	421.2	20.9	394.6	19.4	377.4	18.5	
75	69	499.5	24.7	472.9	22.9	447.8	21.2	421.2	19.8	394.6	18.3	377.4	17.5	
80	74	499.5	22.3	472.9	20.7	447.8	19.3	421.2	18.0	394.6	16.8	377.4	16.0	
120%	-22	-23	210.5	35.6	206.2	36.5	202.5	37.4	198.9	38.4	195.5	39.4	193.5	40.1
	-17	-18	254.3	37.9	249.5	38.8	245.3	39.7	241.3	40.8	237.5	41.8	235.3	42.5
	-13	-14	292.7	39.9	288.9	40.9	285.5	42.0	282.3	43.1	279.3	44.3	277.6	45.1
	-8	-9	310.3	40.9	307.3	42.1	304.7	43.2	302.1	44.4	299.9	45.7	298.6	46.6
	-3	-4	323.2	41.7	320.6	42.9	318.3	44.1	316.1	45.3	314.2	46.7	313.0	47.5
	2	1	335.3	43.0	332.8	44.2	330.7	45.4	328.6	46.7	326.7	48.1	325.3	48.9
	7	6	349.2	43.3	346.7	44.6	344.5	45.8	342.5	47.1	340.6	48.5	341.4	49.6
	12	10	362.3	43.8	359.8	45.0	357.7	46.2	355.6	47.6	356.0	49.2	348.3	47.9
	17	15	381.6	44.5	379.1	45.8	376.9	47.0	374.7	48.4	364.2	46.5	348.3	43.7
	22	20	402.5	45.4	399.9	46.7	397.6	47.9	388.8	46.5	364.2	42.3	348.3	39.6
	27	24	421.8	46.3	421.3	47.8	413.4	46.7	388.8	42.7	364.2	38.7	348.3	36.1
	32	29	448.8	47.3	436.5	45.8	413.4	42.2	388.8	38.4	364.2	34.7	348.3	32.8
	37	34	461.1	44.7	436.5	41.1	413.4	37.7	388.8	34.3	364.2	31.6	348.3	29.9
	42	38	461.1	41.0	436.5	37.6	413.4	34.5	388.8	31.8	364.2	29.4	348.3	27.8
	47	43	461.1	36.6	436.5	33.6	413.4	31.3	388.8	29.0	364.2	26.8	348.3	25.4
	52	47	461.1	33.6	436.5	31.2	413.4	29.1	388.8	27.0	364.2	24.9	348.3	23.6
	57	52	461.1	30.5	436.5	28.4	413.4	26.5	388.8	24.5	364.2	22.7	348.3	21.6
	62	56	461.1	28.3	436.5	26.3	413.4	24.6	388.8	22.7	364.2	21.1	348.3	20.1
	67	61	461.1	25.6	436.5	23.8	413.4	22.2	388.8	20.7	364.2	19.3	348.3	18.3
72	66	461.1	23.1	436.5	21.5	413.4	20.1	388.8	18.8	364.2	17.5	348.3	16.7	
75	69	461.1	21.7	436.5	20.2	413.4	19.0	388.8	17.8	364.2	16.6	348.3	15.8	
80	74	461.1	19.6	436.5	18.4	413.4	17.4	388.8	16.2	364.2	15.2	348.3	14.5	

NOTE - Power Input = Compressor + Outdoor Fan Motor.
 MBH = 1000 BTUs per hour.

HEATING CAPACITY - THREE MODULE | VPB288L4

Combination (%)	Outdoor Temperature (°F)		Indoor Temperature - °F Dry Bulb											
			61		64		67		70		73		75	
	Dry Bulb	Wet Bulb	Total Cap. MBH	Power Input kW	Total Cap. MBH	Power Input kW	Total Cap. MBH	Power Input kW	Total Cap. MBH	Power Input kW	Total Cap. MBH	Power Input kW	Total Cap. MBH	Power Input kW
110%	-22	-23	207.2	36.1	203.2	37.0	199.8	37.9	196.4	38.9	193.3	40.0	191.4	40.6
	-17	-18	250.0	38.5	245.5	39.4	241.6	40.4	237.8	41.4	234.3	42.5	232.2	43.2
	-13	-14	288.5	40.7	285.0	41.8	281.9	42.8	279.0	44.0	276.3	45.2	274.7	46.0
	-8	-9	306.6	41.9	303.8	43.0	301.4	44.2	299.2	45.4	297.2	46.8	296.0	47.6
	-3	-4	319.7	42.7	317.3	43.9	315.3	45.1	313.3	46.4	311.6	47.8	309.0	48.3
	2	1	331.9	44.0	329.6	45.3	327.7	46.5	325.8	47.9	323.4	49.1	319.3	48.5
	7	6	345.7	44.5	343.5	45.7	341.5	47.0	339.7	48.3	333.9	47.8	319.3	45.3
	12	10	358.8	45.0	356.6	46.2	354.6	47.5	356.4	48.9	333.9	44.9	319.3	42.3
	17	15	378.0	45.8	375.7	47.1	374.2	47.8	356.4	44.7	333.9	40.8	319.3	38.3
	22	20	398.7	46.7	394.8	46.9	378.9	44.3	356.4	40.5	333.9	36.8	319.3	34.6
	27	24	415.9	46.4	400.1	44.0	378.9	40.6	356.4	37.0	333.9	33.7	319.3	31.9
	32	29	422.6	43.0	400.1	39.6	378.9	36.4	356.4	33.3	333.9	30.8	319.3	29.2
	37	34	422.6	38.5	400.1	35.3	378.9	32.7	356.4	30.3	333.9	28.1	319.3	26.7
	42	38	422.6	35.1	400.1	32.5	378.9	30.4	356.4	28.2	333.9	26.2	319.3	24.9
	47	43	422.6	31.7	400.1	29.6	378.9	27.7	356.4	25.8	333.9	23.9	319.3	22.7
	52	47	422.6	29.4	400.1	27.5	378.9	25.8	356.4	23.9	333.9	22.2	319.3	21.2
	57	52	422.6	26.8	400.1	25.0	378.9	23.4	356.4	21.8	333.9	20.3	319.3	19.4
	62	56	422.6	24.8	400.1	23.1	378.9	21.7	356.4	20.3	333.9	19.0	319.3	18.1
	67	61	422.6	22.4	400.1	20.9	378.9	19.7	356.4	18.5	333.9	17.3	319.3	16.5
	72	66	422.6	20.2	400.1	19.0	378.9	18.0	356.4	16.9	333.9	15.8	319.3	15.1
	75	69	422.6	19.1	400.1	18.0	378.9	17.0	356.4	15.9	333.9	14.9	319.3	14.3
80	74	422.6	17.4	400.1	16.4	378.9	15.5	356.4	14.6	333.9	13.7	319.3	13.2	
100%	-22	-23	203.6	36.7	199.9	37.6	196.7	38.5	193.5	39.5	190.6	40.6	188.9	41.3
	-17	-18	245.5	39.2	241.3	40.2	237.7	41.1	234.2	42.2	231.0	43.3	229.0	44.0
	-13	-14	284.2	41.6	281.0	42.7	278.2	43.8	275.6	45.0	273.2	46.3	271.8	47.1
	-8	-9	302.8	43.0	300.3	44.2	298.2	45.4	296.3	46.7	296.6	48.4	290.3	47.7
	-3	-4	316.2	43.9	314.1	45.2	312.3	46.4	310.6	47.8	303.5	47.2	290.3	45.1
	2	1	328.4	45.4	326.4	46.7	324.7	47.9	324.0	48.8	303.5	45.3	290.3	43.1
	7	6	342.2	45.9	340.2	47.2	341.3	48.7	324.0	45.6	303.5	42.1	290.3	39.8
	12	10	355.2	46.4	355.3	48.0	344.5	46.2	324.0	42.7	303.5	39.2	290.3	36.9
	17	15	377.3	47.5	363.7	45.3	344.5	42.1	324.0	38.6	303.5	35.3	290.3	33.3
	22	20	384.2	44.5	363.7	41.1	344.5	38.0	324.0	34.8	303.5	32.1	290.3	30.5
	27	24	384.2	40.7	363.7	37.6	344.5	34.7	324.0	32.0	303.5	29.7	290.3	28.3
	32	29	384.2	36.5	363.7	33.7	344.5	31.5	324.0	29.3	303.5	27.3	290.3	26.0
	37	34	384.2	32.7	363.7	30.6	344.5	28.7	324.0	26.8	303.5	24.9	290.3	23.7
	42	38	384.2	30.4	363.7	28.4	344.5	26.7	324.0	24.9	303.5	23.2	290.3	22.1
	47	43	384.2	27.7	363.7	25.9	344.5	24.3	324.0	22.7	303.5	21.3	290.3	20.4
	52	47	384.2	25.7	363.7	24.1	344.5	22.6	324.0	21.2	303.5	19.9	290.3	19.1
	57	52	384.2	23.3	363.7	21.8	344.5	20.6	324.0	19.4	303.5	18.2	290.3	17.4
	62	56	384.2	21.5	363.7	20.3	344.5	19.2	324.0	18.1	303.5	16.9	290.3	16.2
	67	61	384.2	19.6	363.7	18.5	344.5	17.5	324.0	16.5	303.5	15.4	290.3	14.8
	72	66	384.2	17.8	363.7	16.8	344.5	15.9	324.0	15.0	303.5	14.1	290.3	13.6
	75	69	384.2	16.8	363.7	15.9	344.5	15.1	324.0	14.2	303.5	13.5	290.3	12.9
80	74	384.2	15.3	363.7	14.5	344.5	13.8	324.0	13.1	303.5	12.4	290.3	11.9	

NOTE - Power Input = Compressor + Outdoor Fan Motor.
 MBH = 1000 BTUs per hour.

HEATING CAPACITY - THREE MODULE | VPB288L4

Combination (%)	Outdoor Temperature (°F)		Indoor Temperature - °F Dry Bulb											
			61		64		67		70		73		75	
	Dry Bulb	Wet Bulb	Total Cap. MBH	Power Input kW	Total Cap. MBH	Power Input kW	Total Cap. MBH	Power Input kW	Total Cap. MBH	Power Input kW	Total Cap. MBH	Power Input kW	Total Cap. MBH	Power Input kW
90%	-22	-23	199.9	37.4	196.4	38.3	193.4	39.3	190.5	40.3	187.8	41.4	186.2	42.1
	-17	-18	240.6	40.1	236.8	41.1	233.6	42.1	230.4	43.2	227.5	44.3	225.8	45.0
	-13	-14	279.7	42.8	276.9	44.0	274.5	45.1	272.2	46.3	271.6	47.7	261.2	46.5
	-8	-9	298.9	44.4	296.8	45.6	295.1	46.9	291.6	47.3	273.2	44.7	261.2	43.0
	-3	-4	312.7	45.5	310.9	46.8	310.0	47.6	291.6	44.7	273.2	41.9	261.2	40.1
	2	1	325.0	47.0	327.4	48.7	310.0	45.8	291.6	42.8	273.2	39.8	261.2	37.8
	7	6	341.9	47.9	327.4	45.5	310.0	42.6	291.6	39.5	273.2	36.4	261.2	34.6
	12	10	345.8	45.6	327.4	42.6	310.0	39.7	291.6	36.6	273.2	33.7	261.2	32.1
	17	15	345.8	41.6	327.4	38.5	310.0	35.7	291.6	33.0	273.2	30.7	261.2	29.3
	22	20	345.8	37.5	327.4	34.7	310.0	32.3	291.6	30.2	273.2	28.1	261.2	26.9
	27	24	345.8	34.2	327.4	31.8	310.0	29.9	291.6	28.0	273.2	26.1	261.2	24.9
	32	29	345.8	31.0	327.4	29.1	310.0	27.4	291.6	25.7	273.2	24.0	261.2	22.9
	37	34	345.8	28.2	327.4	26.6	310.0	25.0	291.6	23.4	273.2	21.9	261.2	21.1
	42	38	345.8	26.3	327.4	24.7	310.0	23.3	291.6	21.9	273.2	20.6	261.2	19.8
	47	43	345.8	23.9	327.4	22.5	310.0	21.3	291.6	20.1	273.2	18.9	261.2	18.2
	52	47	345.8	22.2	327.4	20.9	310.0	19.9	291.6	18.8	273.2	17.7	261.2	17.0
	57	52	345.8	20.2	327.4	19.2	310.0	18.2	291.6	17.2	273.2	16.1	261.2	15.5
	62	56	345.8	18.8	327.4	17.8	310.0	16.9	291.6	16.0	273.2	15.0	261.2	14.4
	67	61	345.8	17.1	327.4	16.2	310.0	15.4	291.6	14.5	273.2	13.8	261.2	13.3
	72	66	345.8	15.6	327.4	14.8	310.0	14.0	291.6	13.4	273.2	12.7	261.2	12.2
75	69	345.8	14.7	327.4	14.0	310.0	13.4	291.6	12.7	273.2	12.0	261.2	11.6	
80	74	345.8	13.4	327.4	12.9	310.0	12.3	291.6	11.7	273.2	11.0	261.2	10.7	
80%	-22	-23	195.8	38.3	192.6	39.3	189.9	40.2	187.2	41.3	184.8	42.4	183.3	43.1
	-17	-18	235.5	41.3	232.1	42.3	229.2	43.3	226.4	44.4	223.8	45.6	222.3	46.3
	-13	-14	275.1	44.4	272.7	45.6	273.6	47.2	259.2	45.5	242.8	43.3	232.2	41.9
	-8	-9	295.1	46.2	291.0	46.4	275.6	44.3	259.2	42.0	242.8	39.7	232.2	38.3
	-3	-4	307.4	46.3	291.0	43.8	275.6	41.6	259.2	39.1	242.8	36.7	232.2	35.3
	2	1	307.4	44.5	291.0	41.9	275.6	39.5	259.2	36.9	242.8	34.5	232.2	32.9
	7	6	307.4	41.3	291.0	38.6	275.6	36.1	259.2	33.7	242.8	31.5	232.2	30.1
	12	10	307.4	38.4	291.0	35.8	275.6	33.5	259.2	31.3	242.8	29.3	232.2	28.0
	17	15	307.4	34.6	291.0	32.3	275.6	30.4	259.2	28.5	242.8	26.7	232.2	25.6
	22	20	307.4	31.3	291.0	29.5	275.6	27.8	259.2	26.2	242.8	24.5	232.2	23.4
	27	24	307.4	29.0	291.0	27.4	275.6	25.9	259.2	24.3	242.8	22.8	232.2	21.9
	32	29	307.4	26.5	291.0	25.1	275.6	23.7	259.2	22.3	242.8	21.0	232.2	20.3
	37	34	307.4	24.2	291.0	22.9	275.6	21.7	259.2	20.5	242.8	19.4	232.2	18.7
	42	38	307.4	22.5	291.0	21.3	275.6	20.3	259.2	19.3	242.8	18.2	232.2	17.5
	47	43	307.4	20.6	291.0	19.6	275.6	18.7	259.2	17.7	242.8	16.7	232.2	16.1
	52	47	307.4	19.2	291.0	18.3	275.6	17.4	259.2	16.5	242.8	15.6	232.2	15.0
	57	52	307.4	17.5	291.0	16.7	275.6	15.9	259.2	15.0	242.8	14.2	232.2	13.8
	62	56	307.4	16.3	291.0	15.5	275.6	14.8	259.2	14.0	242.8	13.3	232.2	12.8
	67	61	307.4	14.8	291.0	14.1	275.6	13.5	259.2	12.9	242.8	12.2	232.2	11.7
	72	66	307.4	13.5	291.0	13.0	275.6	12.4	259.2	11.8	242.8	11.2	232.2	10.9
75	69	307.4	12.9	291.0	12.3	275.6	11.8	259.2	11.2	242.8	10.8	232.2	10.4	
80	74	307.4	11.8	291.0	11.3	275.6	10.8	259.2	10.4	242.8	9.9	232.2	9.5	

NOTE - Power Input = Compressor + Outdoor Fan Motor.
 MBH = 1000 BTUs per hour.

HEATING CAPACITY - THREE MODULE | VPB288L4

Combination (%)	Outdoor Temperature (°F)		Indoor Temperature - °F Dry Bulb											
			61		64		67		70		73		75	
			Total Cap.	Power Input	Total Cap.	Power Input	Total Cap.	Power Input	Total Cap.	Power Input	Total Cap.	Power Input	Total Cap.	Power Input
	MBH	kW	MBH	kW	MBH	kW	MBH	kW	MBH	kW	MBH	kW		
70%	Dry Bulb	Wet Bulb												
	-22	-23	191.3	39.4	188.5	40.5	186.1	41.4	183.7	42.5	181.6	43.7	180.3	44.4
	-17	-18	230.0	42.7	227.1	43.8	224.6	44.9	222.7	46.1	212.5	45.4	203.2	44.3
	-13	-14	269.0	45.7	254.6	44.0	241.1	42.3	226.8	40.5	212.5	38.9	203.2	37.8
	-8	-9	269.0	42.4	254.6	40.5	241.1	38.6	226.8	36.9	212.5	35.1	203.2	33.9
	-3	-4	269.0	39.6	254.6	37.6	241.1	35.7	226.8	33.9	212.5	31.9	203.2	30.8
	2	1	269.0	37.5	254.6	35.4	241.1	33.5	226.8	31.5	212.5	29.8	203.2	28.7
	7	6	269.0	34.3	254.6	32.3	241.1	30.6	226.8	28.9	212.5	27.2	203.2	26.0
	12	10	269.0	31.7	254.6	30.0	241.1	28.5	226.8	26.8	212.5	25.2	203.2	24.2
	17	15	269.0	28.9	254.6	27.4	241.1	26.0	226.8	24.5	212.5	23.0	203.2	22.1
	22	20	269.0	26.5	254.6	25.1	241.1	23.7	226.8	22.4	212.5	21.2	203.2	20.5
	27	24	269.0	24.6	254.6	23.2	241.1	22.1	226.8	21.0	212.5	19.9	203.2	19.2
	32	29	269.0	22.4	254.6	21.3	241.1	20.4	226.8	19.4	212.5	18.5	203.2	17.8
	37	34	269.0	20.6	254.6	19.7	241.1	18.8	226.8	17.9	212.5	17.0	203.2	16.4
	42	38	269.0	19.3	254.6	18.4	241.1	17.6	226.8	16.8	212.5	15.9	203.2	15.4
	47	43	269.0	17.7	254.6	16.9	241.1	16.2	226.8	15.4	212.5	14.6	203.2	14.1
	52	47	269.0	16.5	254.6	15.8	241.1	15.1	226.8	14.3	212.5	13.7	203.2	13.2
	57	52	269.0	15.1	254.6	14.4	241.1	13.8	226.8	13.1	212.5	12.5	203.2	12.0
	62	56	269.0	14.0	254.6	13.4	241.1	12.9	226.8	12.2	212.5	11.6	203.2	11.3
	67	61	269.0	12.9	254.6	12.3	241.1	11.7	226.8	11.2	212.5	10.7	203.2	10.4
72	66	269.0	11.7	254.6	11.2	241.1	10.8	226.8	10.4	212.5	10.0	203.2	9.6	
75	69	269.0	11.1	254.6	10.7	241.1	10.4	226.8	10.0	212.5	9.5	203.2	9.2	
80	74	269.0	10.3	254.6	10.0	241.1	9.6	226.8	9.2	212.5	8.7	203.2	8.4	
60%	-22	-23	186.4	41.0	184.0	42.1	182.0	43.1	180.0	44.3	179.0	45.7	174.2	45.5
	-17	-18	225.1	44.9	218.2	44.9	206.7	43.7	194.4	42.3	182.1	40.8	174.2	39.8
	-13	-14	230.5	39.8	218.2	38.6	206.7	37.3	194.4	35.9	182.1	34.4	174.2	33.5
	-8	-9	230.5	36.3	218.2	34.9	206.7	33.5	194.4	32.0	182.1	30.6	174.2	29.6
	-3	-4	230.5	33.4	218.2	31.9	206.7	30.4	194.4	29.1	182.1	27.6	174.2	26.7
	2	1	230.5	31.1	218.2	29.7	206.7	28.4	194.4	26.9	182.1	25.4	174.2	24.4
	7	6	230.5	28.5	218.2	27.1	206.7	25.8	194.4	24.4	182.1	23.0	174.2	22.1
	12	10	230.5	26.4	218.2	25.1	206.7	23.9	194.4	22.6	182.1	21.4	174.2	20.7
	17	15	230.5	24.1	218.2	22.9	206.7	21.8	194.4	20.8	182.1	19.8	174.2	19.2
	22	20	230.5	22.0	218.2	21.1	206.7	20.2	194.4	19.3	182.1	18.4	174.2	17.8
	27	24	230.5	20.6	218.2	19.7	206.7	19.0	194.4	18.1	182.1	17.3	174.2	16.7
	32	29	230.5	19.1	218.2	18.3	206.7	17.6	194.4	16.8	182.1	16.0	174.2	15.5
	37	34	230.5	17.6	218.2	16.8	206.7	16.2	194.4	15.4	182.1	14.7	174.2	14.2
	42	38	230.5	16.4	218.2	15.7	206.7	15.1	194.4	14.4	182.1	13.8	174.2	13.4
	47	43	230.5	15.0	218.2	14.4	206.7	13.8	194.4	13.3	182.1	12.6	174.2	12.2
	52	47	230.5	14.0	218.2	13.5	206.7	12.9	194.4	12.3	182.1	11.7	174.2	11.4
	57	52	230.5	12.8	218.2	12.3	206.7	11.8	194.4	11.3	182.1	10.8	174.2	10.5
	62	56	230.5	11.9	218.2	11.4	206.7	11.0	194.4	10.6	182.1	10.1	174.2	9.8
	67	61	230.5	10.9	218.2	10.6	206.7	10.2	194.4	9.7	182.1	9.3	174.2	9.0
	72	66	230.5	10.1	218.2	9.8	206.7	9.4	194.4	9.0	182.1	8.6	174.2	8.4
75	69	230.5	9.7	218.2	9.3	206.7	9.0	194.4	8.6	182.1	8.3	174.2	8.1	
80	74	230.5	9.0	218.2	8.6	206.7	8.3	194.4	7.8	182.1	7.4	174.2	7.2	

NOTE - Power Input = Compressor + Outdoor Fan Motor.
 MBH = 1000 BTUs per hour.

HEATING CAPACITY - THREE MODULE | VPB288L4

Combination (%)	Outdoor Temperature (°F)		Indoor Temperature - °F Dry Bulb											
			61		64		67		70		73		75	
	Dry Bulb	Wet Bulb	Total Cap. MBH	Power Input kW	Total Cap. MBH	Power Input kW	Total Cap. MBH	Power Input kW	Total Cap. MBH	Power Input kW	Total Cap. MBH	Power Input kW	Total Cap. MBH	Power Input kW
50%	-22	-23	181.1	43.3	181.9	45.1	172.2	44.1	162.0	43.0	151.8	41.9	145.1	41.1
	-17	-18	192.1	40.7	181.9	39.6	172.2	38.5	162.0	37.3	151.8	36.0	145.1	35.1
	-13	-14	192.1	34.5	181.9	33.4	172.2	32.3	162.0	31.2	151.8	30.0	145.1	29.2
	-8	-9	192.1	30.7	181.9	29.6	172.2	28.6	162.0	27.4	151.8	26.3	145.1	25.1
	-3	-4	192.1	27.8	181.9	26.7	172.2	25.6	162.0	24.3	151.8	22.9	145.1	22.0
	2	1	192.1	25.7	181.9	24.5	172.2	23.4	162.0	22.1	151.8	21.0	145.1	20.2
	7	6	192.1	23.2	181.9	22.2	172.2	21.2	162.0	20.2	151.8	19.3	145.1	18.6
	12	10	192.1	21.6	181.9	20.7	172.2	19.9	162.0	19.0	151.8	18.1	145.1	17.6
	17	15	192.1	19.9	181.9	19.1	172.2	18.4	162.0	17.6	151.8	16.9	145.1	16.4
	22	20	192.1	18.4	181.9	17.7	172.2	17.1	162.0	16.4	151.8	15.7	145.1	15.2
	27	24	192.1	17.3	181.9	16.6	172.2	16.0	162.0	15.4	151.8	14.7	145.1	14.3
	32	29	192.1	16.0	181.9	15.4	172.2	14.8	162.0	14.2	151.8	13.7	145.1	13.3
	37	34	192.1	14.7	181.9	14.1	172.2	13.7	162.0	13.1	151.8	12.5	145.1	12.2
	42	38	192.1	13.7	181.9	13.3	172.2	12.8	162.0	12.2	151.8	11.7	145.1	11.4
	47	43	192.1	12.6	181.9	12.1	172.2	11.6	162.0	11.2	151.8	10.8	145.1	10.4
	52	47	192.1	11.7	181.9	11.2	172.2	10.9	162.0	10.5	151.8	10.0	145.1	9.7
	57	52	192.1	10.8	181.9	10.4	172.2	10.0	162.0	9.5	151.8	9.1	145.1	8.8
62	56	192.1	10.1	181.9	9.7	172.2	9.3	162.0	8.9	151.8	8.5	145.1	8.2	
67	61	192.1	9.2	181.9	8.9	172.2	8.6	162.0	8.2	151.8	7.9	145.1	7.6	
72	66	192.1	8.5	181.9	8.2	172.2	8.0	162.0	7.7	151.8	7.4	145.1	7.2	
75	69	192.1	8.2	181.9	7.9	172.2	7.7	162.0	7.4	151.8	7.1	145.1	7.0	
80	74	192.1	7.6	181.9	7.3	172.2	7.0	162.0	6.6	151.8	6.3	145.1	6.0	

NOTE - Power Input = Compressor + Outdoor Fan Motor.
 MBH = 1000 BTUs per hour.

COOLING CAPACITY - THREE MODULE | VPB312L4

Combination (%)	Outdoor Temperature °F (Dry Bulb)	Indoor Temperature - °F (Dry Bulb / Wet Bulb)											
		67 / 57		71 / 60		75 / 63		80 / 67		85 / 71		90 / 75	
		Total Cap.	Power Input	Total Cap.	Power Input	Total Cap.	Power Input	Total Cap.	Power Input	Total Cap.	Power Input	Total Cap.	Power Input
		MBH	KW	MBH	KW	MBH	KW	MBH	KW	MBH	KW	MBH	KW
130%	-10	239.1	8.5	290.6	10.5	339.0	12.4	405.6	15.1	475.2	18.0	526.9	20.5
	-5	239.1	9.1	290.6	11.1	339.0	13.1	405.6	16.0	475.2	19.2	505.8	20.8
	10	239.1	9.2	290.6	11.4	339.0	13.4	405.6	16.4	475.2	19.6	498.4	21.0
	15	239.1	9.5	290.6	11.6	339.0	13.7	405.6	16.7	470.0	19.8	488.0	21.0
	20	239.1	9.7	290.6	11.9	339.0	14.0	405.6	17.1	461.7	19.9	477.2	21.0
	25	239.1	9.9	290.6	12.1	339.0	14.3	405.6	17.5	453.1	19.9	465.8	20.9
	30	239.1	10.1	290.6	12.4	339.0	14.7	405.6	17.9	444.8	20.0	454.7	20.9
	35	239.1	10.4	290.6	12.7	339.0	15.0	405.6	18.3	436.9	20.1	444.2	20.9
	40	239.1	10.6	290.6	13.0	339.0	15.4	405.6	18.8	431.9	20.3	437.6	21.1
	45	239.1	10.9	290.6	13.4	339.0	15.8	405.6	19.2	429.8	20.7	434.9	21.5
	50	239.1	11.2	290.6	13.7	339.0	16.2	405.6	19.7	426.6	21.1	432.9	21.9
	55	239.1	11.4	290.6	14.1	339.0	16.6	405.6	20.2	425.3	21.6	431.5	22.5
	60	239.1	11.8	290.6	14.5	339.0	17.1	405.6	20.8	426.1	22.2	430.6	23.0
	65	239.1	12.1	290.6	14.9	339.0	17.5	405.6	21.4	421.6	22.6	429.7	23.6
	70	239.1	13.1	290.6	16.2	339.0	19.1	405.6	23.3	420.5	24.5	428.6	25.6
	75	239.1	14.4	290.6	17.7	339.0	20.9	399.7	25.1	418.6	26.8	426.7	28.0
	80	239.1	15.8	290.6	19.5	339.0	23.0	396.6	27.4	415.4	29.2	423.4	30.5
	85	239.1	17.4	290.6	21.4	339.0	25.2	391.9	29.7	410.1	31.6	418.0	33.0
	90	239.1	19.0	290.6	23.4	339.0	27.6	385.0	31.9	402.0	33.9	409.7	35.4
	95	239.1	20.8	290.6	25.6	339.0	30.2	359.5	32.4	368.9	34.0	375.1	35.4
	100	239.1	22.6	290.6	27.8	326.5	31.6	346.6	33.9	352.4	35.3	359.2	36.8
	105	239.1	24.4	290.6	30.0	307.8	32.0	321.8	34.0	331.3	35.8	337.7	37.4
	110	239.1	26.1	267.9	29.5	283.8	31.5	294.9	33.3	303.6	35.1	309.5	36.6
	115	224.5	25.9	241.2	27.9	250.8	29.4	260.4	31.1	268.2	32.7	273.3	34.2
	118	204.9	24.2	219.0	26.0	226.6	27.3	235.3	28.9	242.3	30.4	246.9	31.7
125	146.0	17.8	152.4	18.8	157.7	19.7	163.8	20.9	168.6	22.0	171.9	22.9	
120%	-10	220.7	7.7	268.2	9.5	312.9	11.2	374.4	13.7	438.7	16.4	500.1	19.2
	-5	220.7	8.2	268.2	10.1	312.9	11.9	374.4	14.6	438.7	17.4	489.8	19.9
	10	220.7	8.4	268.2	10.3	312.9	12.2	374.4	14.9	438.7	17.8	482.4	20.0
	15	220.7	8.6	268.2	10.6	312.9	12.5	374.4	15.2	438.7	18.2	474.2	20.1
	20	220.7	8.8	268.2	10.8	312.9	12.7	374.4	15.5	438.7	18.6	466.0	20.2
	25	220.7	9.0	268.2	11.0	312.9	13.0	374.4	15.9	438.7	19.0	457.4	20.2
	30	220.7	9.2	268.2	11.3	312.9	13.3	374.4	16.3	430.2	19.1	446.5	20.2
	35	220.7	9.4	268.2	11.6	312.9	13.7	374.4	16.6	422.4	19.2	436.1	20.2
	40	220.7	9.6	268.2	11.8	312.9	14.0	374.4	17.1	417.3	19.4	429.3	20.4
	45	220.7	9.9	268.2	12.1	312.9	14.3	374.4	17.5	415.3	19.8	426.7	20.8
	50	220.7	10.1	268.2	12.5	312.9	14.7	374.4	17.9	413.7	20.2	424.7	21.2
	55	220.7	10.4	268.2	12.8	312.9	15.1	374.4	18.4	412.5	20.7	423.4	21.7
	60	220.7	10.7	268.2	13.1	312.9	15.5	374.4	18.9	412.7	21.2	422.4	22.2
	65	220.7	11.0	268.2	13.5	312.9	15.9	374.4	19.4	409.4	21.7	421.6	22.8
	70	220.7	11.9	268.2	14.7	312.9	17.3	374.4	21.1	408.2	23.5	420.5	24.7
	75	220.7	13.1	268.2	16.1	312.9	19.0	374.4	23.2	406.2	25.6	418.6	27.0
	80	220.7	14.4	268.2	17.7	312.9	20.9	374.4	25.5	403.2	27.9	415.4	29.4
	85	220.7	15.8	268.2	19.4	312.9	22.9	374.4	28.0	398.6	30.3	410.1	31.9
	90	220.7	17.3	268.2	21.3	312.9	25.1	374.4	30.6	391.9	32.6	402.0	34.2
	95	220.7	18.9	268.2	23.2	312.9	27.4	352.3	31.4	368.9	33.5	375.1	34.8
	100	220.7	20.6	268.2	25.3	312.9	29.8	339.4	32.8	352.4	34.7	359.2	36.3
	105	220.7	22.2	268.2	27.3	301.7	31.0	320.7	33.4	331.3	35.2	337.7	36.8
	110	220.7	23.7	262.7	28.6	277.8	30.4	294.9	32.8	303.6	34.5	309.5	36.0
	115	220.7	25.1	236.1	27.0	250.8	28.9	260.4	30.6	268.2	32.2	273.3	33.6
	118	200.7	23.4	218.3	25.6	226.6	26.8	235.3	28.4	242.3	29.9	246.9	31.2
125	146.0	17.6	152.4	18.5	157.7	19.4	163.8	20.5	168.6	21.6	171.9	22.6	

NOTE - Power Input = Compressor + Outdoor Fan Motor.
MBH = 1000 BTUs per hour.

COOLING CAPACITY - THREE MODULE | VPB312L4

Combination (%)	Outdoor Temperature °F (Dry Bulb)	Indoor Temperature - °F (Dry Bulb / Wet Bulb)											
		67 / 57		71 / 60		75 / 63		80 / 67		85 / 71		90 / 75	
		Total Cap.	Power Input	Total Cap.	Power Input	Total Cap.	Power Input	Total Cap.	Power Input	Total Cap.	Power Input	Total Cap.	Power Input
		MBH	kW	MBH	kW	MBH	kW	MBH	kW	MBH	kW	MBH	kW
110%	-10	202.3	7.0	245.9	8.6	286.9	10.1	343.2	12.4	402.1	14.8	458.5	17.3
	-5	202.3	7.4	245.9	9.1	286.9	10.8	343.2	13.1	402.1	15.7	458.5	18.4
	10	202.3	7.6	245.9	9.3	286.9	11.0	343.2	13.4	402.1	16.1	458.5	18.8
	15	202.3	7.8	245.9	9.5	286.9	11.3	343.2	13.7	402.1	16.4	458.3	19.2
	20	202.3	7.9	245.9	9.7	286.9	11.5	343.2	14.0	402.1	16.8	450.1	19.2
	25	202.3	8.1	245.9	10.0	286.9	11.8	343.2	14.3	402.1	17.2	441.6	19.3
	30	202.3	8.3	245.9	10.2	286.9	12.0	343.2	14.7	402.1	17.6	433.4	19.4
	35	202.3	8.5	245.9	10.4	286.9	12.3	343.2	15.0	402.1	18.0	425.7	19.4
	40	202.3	8.7	245.9	10.7	286.9	12.6	343.2	15.4	402.1	18.4	420.5	19.7
	45	202.3	8.9	245.9	11.0	286.9	12.9	343.2	15.8	402.1	18.9	418.4	20.1
	50	202.3	9.1	245.9	11.2	286.9	13.3	343.2	16.2	402.1	19.4	416.5	20.5
	55	202.3	9.4	245.9	11.5	286.9	13.6	343.2	16.6	402.1	19.9	415.2	21.0
	60	202.3	9.6	245.9	11.9	286.9	14.0	343.2	17.1	397.9	20.2	414.3	21.5
	65	202.3	9.9	245.9	12.2	286.9	14.4	343.2	17.5	395.1	20.6	413.5	22.0
	70	202.3	10.8	245.9	13.3	286.9	15.7	343.2	19.1	393.8	22.4	412.4	23.9
	75	202.3	11.8	245.9	14.6	286.9	17.2	343.2	20.9	391.9	24.4	410.6	26.1
	80	202.3	13.0	245.9	16.0	286.9	18.9	343.2	23.0	389.0	26.6	407.4	28.4
	85	202.3	14.3	245.9	17.5	286.9	20.7	343.2	25.2	384.5	28.8	402.2	30.8
	90	202.3	15.6	245.9	19.2	286.9	22.7	343.2	27.6	377.9	31.0	394.2	33.0
	95	202.3	17.1	245.9	21.0	286.9	24.8	343.2	30.2	363.5	32.5	375.1	34.3
100	202.3	18.6	245.9	22.8	286.9	26.9	336.2	32.1	350.6	34.1	359.2	35.7	
105	202.3	20.0	245.9	24.6	286.9	29.1	313.5	32.2	331.3	34.7	337.7	36.2	
110	202.3	21.4	245.9	26.4	271.8	29.4	292.7	32.1	303.6	34.0	309.5	35.5	
115	202.3	22.7	230.9	26.1	246.4	28.1	260.4	30.1	268.2	31.7	273.3	33.1	
118	196.5	22.6	213.1	24.7	226.6	26.4	235.3	28.0	242.3	29.4	246.9	30.7	
125	146.0	17.3	152.4	18.3	157.7	19.1	163.8	20.2	168.6	21.3	171.9	22.2	
100%	-10	183.9	6.3	223.5	7.7	260.8	9.1	312.0	11.1	365.6	13.3	416.8	15.5
	-5	183.9	6.7	223.5	8.2	260.8	9.7	312.0	11.8	365.6	14.1	416.8	16.5
	10	183.9	6.8	223.5	8.4	260.8	9.9	312.0	12.0	365.6	14.4	416.8	16.8
	15	183.9	6.9	223.5	8.5	260.8	10.1	312.0	12.3	365.6	14.7	416.8	17.2
	20	183.9	7.1	223.5	8.7	260.8	10.3	312.0	12.5	365.6	15.0	416.5	17.5
	25	183.9	7.3	223.5	8.9	260.8	10.5	312.0	12.8	365.6	15.4	413.1	17.8
	30	183.9	7.4	223.5	9.1	260.8	10.8	312.0	13.1	365.6	15.7	410.0	18.1
	35	183.9	7.6	223.5	9.3	260.8	11.0	312.0	13.5	365.6	16.1	407.1	18.4
	40	183.9	7.8	223.5	9.6	260.8	11.3	312.0	13.8	365.6	16.5	404.7	18.7
	45	183.9	8.0	223.5	9.8	260.8	11.6	312.0	14.1	365.6	16.9	402.7	19.1
	50	183.9	8.2	223.5	10.1	260.8	11.9	312.0	14.5	365.6	17.4	401.2	19.5
	55	183.9	8.4	223.5	10.3	260.8	12.2	312.0	14.9	365.6	17.8	400.1	19.9
	60	183.9	8.6	223.5	10.6	260.8	12.5	312.0	15.3	365.6	18.3	399.2	20.4
	65	183.9	8.9	223.5	10.9	260.8	12.9	312.0	15.7	365.6	18.8	398.2	20.9
	70	183.9	9.7	223.5	11.9	260.8	14.0	312.0	17.1	365.6	20.5	397.0	22.7
	75	183.9	10.6	223.5	13.0	260.8	15.4	312.0	18.8	365.6	22.5	395.1	24.8
	80	183.9	11.6	223.5	14.3	260.8	16.9	312.0	20.6	365.6	24.7	392.1	27.0
	85	183.9	12.8	223.5	15.7	260.8	18.5	312.0	22.6	365.6	27.1	387.6	29.3
	90	183.9	14.0	223.5	17.2	260.8	20.3	312.0	24.8	363.8	29.5	381.0	31.5
	95	183.9	15.3	223.5	18.8	260.8	22.2	312.0	27.0	354.7	31.4	371.7	33.5
100	183.9	16.6	223.5	20.4	260.8	24.1	312.0	29.4	342.2	32.9	359.0	35.1	
105	183.9	17.9	223.5	22.1	260.8	26.0	306.3	31.1	325.6	33.7	337.7	35.7	
110	183.9	19.2	223.5	23.6	260.8	27.9	285.5	30.9	303.6	33.5	309.5	35.0	
115	183.9	20.3	223.5	25.0	240.4	27.1	259.1	29.6	268.2	31.3	273.3	32.6	
118	183.9	20.9	207.9	23.8	222.0	25.6	235.3	27.6	242.3	29.0	246.9	30.3	
125	144.1	16.8	152.4	18.0	157.7	18.8	163.8	19.9	168.6	21.0	171.9	21.9	

NOTE - Power Input = Compressor + Outdoor Fan Motor.
MBH = 1000 BTUs per hour.

COOLING CAPACITY - THREE MODULE | VPB312L4

Combination (%)	Outdoor Temperature °F (Dry Bulb)	Indoor Temperature - °F (Dry Bulb / Wet Bulb)											
		67 / 57		71 / 60		75 / 63		80 / 67		85 / 71		90 / 75	
		Total Cap.	Power Input	Total Cap.	Power Input	Total Cap.	Power Input	Total Cap.	Power Input	Total Cap.	Power Input	Total Cap.	Power Input
		MBH	kW	MBH	kW	MBH	kW	MBH	kW	MBH	kW	MBH	kW
70%	-10	128.8	4.2	156.5	5.2	182.5	6.1	218.4	7.4	255.9	8.9	291.7	10.4
	-5	128.8	4.5	156.5	5.5	182.5	6.5	218.4	7.9	255.9	9.4	291.7	11.0
	10	128.8	4.6	156.5	5.6	182.5	6.6	218.4	8.0	255.9	9.6	291.7	11.3
	15	128.8	4.7	156.5	5.7	182.5	6.7	218.4	8.2	255.9	9.9	291.7	11.5
	20	128.8	4.8	156.5	5.8	182.5	6.9	218.4	8.4	255.9	10.1	291.7	11.8
	25	128.8	4.9	156.5	6.0	182.5	7.1	218.4	8.6	255.9	10.3	291.7	12.0
	30	128.8	5.0	156.5	6.1	182.5	7.2	218.4	8.8	255.9	10.5	291.7	12.3
	35	128.8	5.1	156.5	6.3	182.5	7.4	218.4	9.0	255.9	10.8	291.7	12.6
	40	128.8	5.2	156.5	6.4	182.5	7.6	218.4	9.2	255.9	11.1	291.7	12.9
	45	128.8	5.4	156.5	6.6	182.5	7.8	218.4	9.5	255.9	11.3	291.7	13.2
	50	128.8	5.5	156.5	6.7	182.5	8.0	218.4	9.7	255.9	11.6	291.7	13.6
	55	128.8	5.6	156.5	6.9	182.5	8.2	218.4	10.0	255.9	11.9	291.7	13.9
	60	128.8	5.8	156.5	7.1	182.5	8.4	218.4	10.2	255.9	12.3	291.7	14.3
	65	128.8	5.9	156.5	7.3	182.5	8.6	218.4	10.5	255.9	12.6	291.7	14.7
	70	128.8	6.5	156.5	8.0	182.5	9.4	218.4	11.4	255.9	13.7	291.7	16.0
	75	128.8	7.1	156.5	8.7	182.5	10.3	218.4	12.6	255.9	15.0	291.7	17.6
	80	128.8	7.8	156.5	9.6	182.5	11.3	218.4	13.8	255.9	16.5	291.7	19.3
	85	128.8	8.6	156.5	10.5	182.5	12.4	218.4	15.1	255.9	18.1	291.7	21.2
	90	128.8	9.4	156.5	11.5	182.5	13.6	218.4	16.6	255.9	19.9	291.7	23.2
	95	128.8	10.2	156.5	12.6	182.5	14.9	218.4	18.1	255.9	21.7	291.7	25.3
	100	128.8	11.1	156.5	13.7	182.5	16.2	218.4	19.7	255.9	23.6	291.7	27.5
	105	128.8	12.0	156.5	14.8	182.5	17.4	218.4	21.3	255.9	25.5	291.7	29.7
110	128.8	12.9	156.5	15.8	182.5	18.7	218.4	22.7	255.9	27.2	291.4	31.8	
115	128.8	13.6	156.5	16.7	182.5	19.7	218.4	24.1	251.8	28.3	263.7	30.3	
118	128.8	14.0	156.5	17.2	182.5	20.3	218.4	24.7	232.1	26.8	243.6	28.6	
125	125.3	14.2	142.2	16.2	151.9	17.5	163.8	19.1	168.6	20.1	171.9	21.0	
60%	-10	110.4	3.5	134.1	4.4	156.5	5.1	187.2	6.3	219.3	7.5	250.1	8.8
	-5	110.4	3.8	134.1	4.6	156.5	5.5	187.2	6.7	219.3	8.0	250.1	9.3
	10	110.4	3.8	134.1	4.7	156.5	5.6	187.2	6.8	219.3	8.1	250.1	9.5
	15	110.4	3.9	134.1	4.8	156.5	5.7	187.2	7.0	219.3	8.3	250.1	9.7
	20	110.4	4.0	134.1	4.9	156.5	5.8	187.2	7.1	219.3	8.5	250.1	9.9
	25	110.4	4.1	134.1	5.0	156.5	6.0	187.2	7.3	219.3	8.7	250.1	10.2
	30	110.4	4.2	134.1	5.2	156.5	6.1	187.2	7.4	219.3	8.9	250.1	10.4
	35	110.4	4.3	134.1	5.3	156.5	6.2	187.2	7.6	219.3	9.1	250.1	10.7
	40	110.4	4.4	134.1	5.4	156.5	6.4	187.2	7.8	219.3	9.3	250.1	10.9
	45	110.4	4.5	134.1	5.6	156.5	6.6	187.2	8.0	219.3	9.6	250.1	11.2
	50	110.4	4.6	134.1	5.7	156.5	6.7	187.2	8.2	219.3	9.8	250.1	11.5
	55	110.4	4.8	134.1	5.9	156.5	6.9	187.2	8.4	219.3	10.1	250.1	11.8
	60	110.4	4.9	134.1	6.0	156.5	7.1	187.2	8.6	219.3	10.4	250.1	12.1
	65	110.4	5.0	134.1	6.2	156.5	7.3	187.2	8.9	219.3	10.6	250.1	12.4
	70	110.4	5.5	134.1	6.7	156.5	7.9	187.2	9.7	219.3	11.6	250.1	13.5
	75	110.4	6.0	134.1	7.4	156.5	8.7	187.2	10.6	219.3	12.7	250.1	14.8
	80	110.4	6.6	134.1	8.1	156.5	9.6	187.2	11.7	219.3	14.0	250.1	16.3
	85	110.4	7.2	134.1	8.9	156.5	10.5	187.2	12.8	219.3	15.3	250.1	17.9
	90	110.4	7.9	134.1	9.7	156.5	11.5	187.2	14.0	219.3	16.8	250.1	19.6
	95	110.4	8.7	134.1	10.6	156.5	12.6	187.2	15.3	219.3	18.3	250.1	21.4
	100	110.4	9.4	134.1	11.6	156.5	13.6	187.2	16.6	219.3	19.9	250.1	23.3
	105	110.4	10.2	134.1	12.5	156.5	14.7	187.2	18.0	219.3	21.5	250.1	25.1
110	110.4	10.9	134.1	13.4	156.5	15.8	187.2	19.2	219.3	23.0	250.1	26.9	
115	110.4	11.5	134.1	14.1	156.5	16.7	187.2	20.3	219.3	24.4	250.1	28.4	
118	110.4	11.8	134.1	14.5	156.5	17.2	187.2	20.9	219.3	25.0	234.0	27.3	
125	110.4	12.3	134.1	15.2	145.9	16.6	157.2	18.2	168.0	19.7	171.9	20.7	

NOTE - Power Input = Compressor + Outdoor Fan Motor.
MBH = 1000 BTUs per hour.

COOLING CAPACITY - THREE MODULE | VPB312L4

Combination (%)	Outdoor Temperature °F (Dry Bulb)	Indoor Temperature - °F (Dry Bulb / Wet Bulb)											
		67 / 57		71 / 60		75 / 63		80 / 67		85 / 71		90 / 75	
		Total Cap.	Power Input	Total Cap.	Power Input	Total Cap.	Power Input	Total Cap.	Power Input	Total Cap.	Power Input	Total Cap.	Power Input
		MBH	kW	MBH	kW	MBH	kW	MBH	kW	MBH	kW	MBH	kW
50%	-10	86.5	2.7	111.8	3.6	130.4	4.2	156.0	5.1	182.8	6.2	208.4	7.2
	-5	92.0	3.1	111.8	3.8	130.4	4.5	156.0	5.5	182.8	6.6	208.4	7.7
	10	92.0	3.2	111.8	3.9	130.4	4.6	156.0	5.6	182.8	6.7	208.4	7.8
	15	92.0	3.2	111.8	4.0	130.4	4.7	156.0	5.7	182.8	6.8	208.4	8.0
	20	92.0	3.3	111.8	4.1	130.4	4.8	156.0	5.8	182.8	7.0	208.4	8.2
	25	92.0	3.4	111.8	4.1	130.4	4.9	156.0	6.0	182.8	7.2	208.4	8.4
	30	92.0	3.5	111.8	4.2	130.4	5.0	156.0	6.1	182.8	7.3	208.4	8.5
	35	92.0	3.5	111.8	4.3	130.4	5.1	156.0	6.3	182.8	7.5	208.4	8.8
	40	92.0	3.6	111.8	4.5	130.4	5.3	156.0	6.4	182.8	7.7	208.4	9.0
	45	92.0	3.7	111.8	4.6	130.4	5.4	156.0	6.6	182.8	7.9	208.4	9.2
	50	92.0	3.8	111.8	4.7	130.4	5.5	156.0	6.7	182.8	8.1	208.4	9.4
	55	92.0	3.9	111.8	4.8	130.4	5.7	156.0	6.9	182.8	8.3	208.4	9.7
	60	92.0	4.0	111.8	4.9	130.4	5.8	156.0	7.1	182.8	8.5	208.4	9.9
	65	92.0	4.1	111.8	5.1	130.4	6.0	156.0	7.3	182.8	8.8	208.4	10.2
	70	92.0	4.5	111.8	5.5	130.4	6.5	156.0	7.9	182.8	9.5	208.4	11.1
	75	92.0	4.9	111.8	6.1	130.4	7.2	156.0	8.7	182.8	10.4	208.4	12.2
	80	92.0	5.4	111.8	6.7	130.4	7.9	156.0	9.6	182.8	11.5	208.4	13.4
	85	92.0	5.9	111.8	7.3	130.4	8.6	156.0	10.5	182.8	12.6	208.4	14.7
	90	92.0	6.5	111.8	8.0	130.4	9.4	156.0	11.5	182.8	13.8	208.4	16.1
	95	92.0	7.1	111.8	8.7	130.4	10.3	156.0	12.6	182.8	15.1	208.4	17.6
100	92.0	7.7	111.8	9.5	130.4	11.2	156.0	13.7	182.8	16.4	208.4	19.1	
105	92.0	8.3	111.8	10.3	130.4	12.1	156.0	14.8	182.8	17.7	208.4	20.6	
110	92.0	8.9	111.8	11.0	130.4	13.0	156.0	15.8	182.8	18.9	208.4	22.1	
115	92.0	9.4	111.8	11.6	130.4	13.7	156.0	16.7	182.8	20.0	208.4	23.4	
118	92.0	9.7	111.8	11.9	130.4	14.1	156.0	17.2	182.8	20.6	208.4	24.0	
125	92.0	10.1	111.8	12.5	130.4	14.7	150.0	17.2	159.6	18.6	167.8	20.0	

NOTE - Power Input = Compressor + Outdoor Fan Motor.
 MBH = 1000 BTUs per hour.

HEATING CAPACITY - THREE MODULE | VPB312L4

Combination (%)	Outdoor Temperature (°F)		Indoor Temperature - °F Dry Bulb											
			61		64		67		70		73		75	
	Dry Bulb	Wet Bulb	Total Cap. MBH	Power Input kW	Total Cap. MBH	Power Input kW	Total Cap. MBH	Power Input kW	Total Cap. MBH	Power Input kW	Total Cap. MBH	Power Input kW	Total Cap. MBH	Power Input kW
130%	-22	-23	229.6	36.8	225.0	37.7	220.9	38.7	217.0	39.7	213.3	40.6	211.1	25.6
	-17	-18	276.5	39.7	271.2	40.7	266.6	41.7	262.1	42.7	258.0	43.6	255.5	27.3
	-13	-14	314.2	42.6	311.3	43.8	308.8	45.0	306.4	46.3	304.3	47.5	303.0	29.4
	-8	-9	334.4	43.9	332.6	45.2	331.1	46.5	329.6	47.9	328.2	49.2	327.5	30.4
	-3	-4	347.9	44.7	346.3	46.1	344.8	47.4	343.5	48.8	342.3	50.1	341.6	30.9
	2	1	361.7	45.5	360.0	46.9	358.5	48.2	357.1	49.6	355.8	50.9	355.1	31.5
	7	6	376.3	45.9	374.5	47.2	372.8	48.5	371.2	50.0	369.7	51.2	368.9	31.8
	12	10	390.2	46.3	388.2	47.6	386.4	48.9	384.7	50.4	383.1	51.6	382.1	32.2
	17	15	410.5	47.0	408.3	48.3	406.4	49.6	404.4	51.1	402.6	52.3	401.5	32.4
	22	20	432.5	47.8	430.1	49.1	428.0	50.5	425.8	52.2	427.5	51.3	408.8	29.9
	27	24	452.8	48.6	450.2	50.0	447.9	51.3	444.2	50.6	427.5	47.1	408.8	27.3
	32	29	478.3	49.7	475.5	51.1	470.7	50.3	456.3	46.6	427.5	42.3	408.8	24.4
	37	34	507.8	51.1	498.9	49.8	485.1	46.3	456.3	41.6	427.5	37.9	408.8	22.0
	42	38	524.5	49.8	512.3	46.6	485.1	42.2	456.3	38.1	427.5	35.2	408.8	20.5
	47	43	541.1	45.7	512.3	41.5	485.1	37.8	456.3	34.6	427.5	32.1	408.8	18.7
	52	47	541.1	41.7	512.3	38.0	485.1	35.1	456.3	32.2	427.5	29.9	408.8	17.4
	57	52	541.1	37.3	512.3	34.6	485.1	32.0	456.3	29.4	427.5	27.2	408.8	15.8
	62	56	541.1	34.7	512.3	32.1	485.1	29.7	456.3	27.2	427.5	25.2	408.8	14.7
	67	61	541.1	31.5	512.3	29.1	485.1	26.9	456.3	24.7	427.5	22.9	408.8	13.4
	72	66	541.1	28.5	512.3	26.3	485.1	24.3	456.3	22.4	427.5	20.9	408.8	12.3
75	69	541.1	26.8	512.3	24.7	485.1	22.8	456.3	21.2	427.5	19.8	408.8	11.6	
80	74	541.1	24.1	512.3	22.4	485.1	20.8	456.3	19.3	427.5	18.1	408.8	10.6	
120%	-22	-23	226.6	37.3	222.2	38.2	218.3	39.1	214.5	40.2	211.0	41.1	208.9	25.8
	-17	-18	272.2	40.3	267.2	41.2	262.8	42.2	258.6	43.3	254.7	44.2	252.4	27.6
	-13	-14	310.9	43.4	308.2	44.6	305.9	45.8	303.7	47.1	301.8	48.3	300.6	29.9
	-8	-9	331.7	44.8	330.0	46.1	328.6	47.5	327.3	48.9	326.1	50.2	325.5	31.0
	-3	-4	345.2	45.7	343.8	47.0	342.5	48.4	341.3	49.9	340.2	51.2	339.6	31.6
	2	1	359.0	46.5	357.5	47.9	356.1	49.3	354.9	50.7	353.7	52.0	352.5	32.1
	7	6	373.5	46.9	371.8	48.3	370.3	49.6	368.8	51.1	367.5	52.3	365.9	32.4
	12	10	387.2	47.4	385.4	48.7	383.7	50.1	382.1	51.5	380.6	52.4	377.4	31.8
	17	15	407.3	48.1	405.3	49.5	403.4	50.8	401.6	51.7	394.6	49.6	377.4	29.0
	22	20	429.1	49.0	426.8	50.4	424.8	51.6	421.2	49.2	394.6	45.0	377.4	26.1
	27	24	449.1	49.9	448.8	51.8	447.8	49.8	421.2	45.2	394.6	41.1	377.4	23.7
	32	29	474.9	51.2	472.9	49.2	447.8	44.9	421.2	40.6	394.6	37.1	377.4	21.5
	37	34	499.5	48.2	472.9	44.0	447.8	40.0	421.2	36.4	394.6	33.8	377.4	19.7
	42	38	499.5	44.1	472.9	40.2	447.8	36.8	421.2	33.9	394.6	31.5	377.4	18.3
	47	43	499.5	39.2	472.9	36.1	447.8	33.5	421.2	30.9	394.6	28.7	377.4	16.7
	52	47	499.5	36.1	472.9	33.6	447.8	31.1	421.2	28.7	394.6	26.6	377.4	15.5
	57	52	499.5	32.9	472.9	30.6	447.8	28.3	421.2	26.1	394.6	24.3	377.4	14.2
	62	56	499.5	30.5	472.9	28.3	447.8	26.2	421.2	24.2	394.6	22.6	377.4	13.3
	67	61	499.5	27.7	472.9	25.6	447.8	23.8	421.2	22.1	394.6	20.7	377.4	12.2
	72	66	499.5	24.9	472.9	23.2	447.8	21.6	421.2	20.1	394.6	18.9	377.4	11.1
75	69	499.5	23.4	472.9	21.8	447.8	20.4	421.2	19.0	394.6	17.8	377.4	10.5	
80	74	499.5	21.3	472.9	19.9	447.8	18.6	421.2	17.4	394.6	16.3	377.4	9.6	

NOTE - Power Input = Compressor + Outdoor Fan Motor.
 MBH = 1000 BTUs per hour.

HEATING CAPACITY - THREE MODULE | VPB312L4

Combination (%)	Outdoor Temperature (°F)		Indoor Temperature - °F Dry Bulb											
			61		64		67		70		73		75	
	Dry Bulb	Wet Bulb	Total Cap. MBH	Power Input kW	Total Cap. MBH	Power Input kW	Total Cap. MBH	Power Input kW	Total Cap. MBH	Power Input kW	Total Cap. MBH	Power Input kW	Total Cap. MBH	Power Input kW
110%	-22	-23	223.1	37.8	219.0	38.7	215.4	39.7	211.9	40.7	208.7	41.6	206.7	26.2
	-17	-18	267.7	40.9	263.0	41.9	258.9	42.9	255.0	44.0	251.4	44.9	249.2	28.1
	-13	-14	307.5	44.3	305.1	45.5	303.0	46.8	301.0	48.1	299.3	49.3	298.3	30.5
	-8	-9	328.9	45.9	327.5	47.2	326.2	48.6	325.1	50.1	324.1	51.4	323.6	31.7
	-3	-4	342.6	46.8	341.3	48.2	340.2	49.6	339.2	51.1	338.3	52.1	334.5	31.9
	2	1	356.4	47.7	355.0	49.1	353.8	50.5	352.7	51.9	350.1	52.4	345.9	31.9
	7	6	370.7	48.2	369.1	49.5	367.7	50.9	366.4	51.8	361.7	50.6	345.9	29.8
	12	10	384.2	48.7	382.5	50.0	381.0	51.8	386.1	51.5	361.7	47.6	345.9	27.8
	17	15	404.1	49.5	402.2	50.9	401.0	50.7	386.1	47.1	361.7	43.3	345.9	25.1
	22	20	425.5	50.5	422.9	50.2	410.5	46.9	386.1	42.6	361.7	39.1	345.9	22.6
	27	24	444.3	49.9	433.5	47.0	410.5	43.0	386.1	39.0	361.7	35.9	345.9	20.9
	32	29	457.9	46.1	433.5	42.2	410.5	38.6	386.1	35.3	361.7	32.9	345.9	19.2
	37	34	457.9	41.1	433.5	37.7	410.5	34.9	386.1	32.3	361.7	30.1	345.9	17.5
	42	38	457.9	37.6	433.5	34.9	410.5	32.4	386.1	30.0	361.7	28.0	345.9	16.3
	47	43	457.9	34.1	433.5	31.8	410.5	29.6	386.1	27.3	361.7	25.5	345.9	14.9
	52	47	457.9	31.7	433.5	29.5	410.5	27.4	386.1	25.4	361.7	23.7	345.9	13.9
	57	52	457.9	29.6	433.5	27.5	410.5	25.7	386.1	23.8	361.7	22.2	345.9	21.2
	62	56	457.9	27.4	433.5	25.5	410.5	23.8	386.1	22.2	361.7	20.7	345.9	19.8
	67	61	457.9	24.8	433.5	23.1	410.5	21.7	386.1	20.3	361.7	18.9	345.9	18.1
	72	66	457.9	22.4	433.5	21.0	410.5	19.8	386.1	18.5	361.7	17.3	345.9	16.5
75	69	457.9	21.1	433.5	19.8	410.5	18.7	386.1	17.5	361.7	16.3	345.9	15.6	
80	74	457.9	19.2	433.5	18.1	410.5	17.0	386.1	16.0	361.7	14.9	345.9	14.3	
100%	-22	-23	219.4	38.0	215.5	38.9	212.1	39.9	208.8	40.9	205.8	42.0	204.0	42.7
	-17	-18	262.9	41.3	258.6	42.2	254.8	43.2	251.2	44.3	247.9	45.5	245.9	46.2
	-13	-14	304.1	44.9	301.9	46.2	300.1	47.4	298.3	48.8	296.8	50.2	296.0	51.1
	-8	-9	326.3	46.6	325.0	48.0	324.0	49.4	323.0	50.9	326.3	53.0	314.5	51.4
	-3	-4	340.1	47.7	338.9	49.1	338.0	50.5	337.2	52.0	328.8	51.2	314.5	48.8
	2	1	353.7	48.6	352.5	50.1	351.5	51.5	351.0	52.4	328.8	48.6	314.5	46.1
	7	6	367.8	49.1	366.4	50.6	366.8	52.2	351.0	49.2	328.8	45.2	314.5	42.7
	12	10	381.2	49.7	379.6	51.1	373.2	50.1	351.0	46.2	328.8	42.2	314.5	39.6
	17	15	402.4	50.8	394.1	49.5	373.2	45.8	351.0	41.9	328.8	38.1	314.5	36.0
	22	20	416.2	48.9	394.1	45.0	373.2	41.4	351.0	37.8	328.8	34.8	314.5	33.1
	27	24	416.2	44.8	394.1	41.1	373.2	37.8	351.0	34.9	328.8	32.4	314.5	30.7
	32	29	416.2	40.1	394.1	36.9	373.2	34.4	351.0	32.0	328.8	29.6	314.5	28.1
	37	34	416.2	35.9	394.1	33.6	373.2	31.4	351.0	29.2	328.8	27.0	314.5	25.6
	42	38	416.2	33.4	394.1	31.2	373.2	29.2	351.0	27.1	328.8	25.1	314.5	23.9
	47	43	416.2	30.4	394.1	28.4	373.2	26.6	351.0	24.7	328.8	23.0	314.5	22.1
	52	47	416.2	28.2	394.1	26.4	373.2	24.6	351.0	23.0	328.8	21.6	314.5	20.7
	57	52	416.2	25.6	394.1	23.9	373.2	22.5	351.0	21.1	328.8	19.8	314.5	19.0
	62	56	416.2	23.7	394.1	22.3	373.2	21.0	351.0	19.7	328.8	18.5	314.5	17.7
	67	61	416.2	21.6	394.1	20.3	373.2	19.2	351.0	18.0	328.8	16.8	314.5	16.1
	72	66	416.2	19.6	394.1	18.5	373.2	17.5	351.0	16.4	328.8	15.4	314.5	14.7
75	69	416.2	18.5	394.1	17.5	373.2	16.5	351.0	15.5	328.8	14.6	314.5	14.0	
80	74	416.2	16.9	394.1	15.9	373.2	15.1	351.0	14.2	328.8	13.3	314.5	12.8	

NOTE - Power Input = Compressor + Outdoor Fan Motor.
 MBH = 1000 BTUs per hour.

HEATING CAPACITY - THREE MODULE | VPB312L4

Combination (%)	Outdoor Temperature (°F)		Indoor Temperature - °F Dry Bulb											
			61		64		67		70		73		75	
	Dry Bulb	Wet Bulb	Total Cap. MBH	Power Input kW	Total Cap. MBH	Power Input kW	Total Cap. MBH	Power Input kW	Total Cap. MBH	Power Input kW	Total Cap. MBH	Power Input kW	Total Cap. MBH	Power Input kW
90%	-22	-23	215.4	38.7	211.8	39.7	208.7	40.6	205.7	41.7	202.9	42.8	201.2	43.5
	-17	-18	257.9	42.2	254.0	43.2	250.6	44.2	247.3	45.3	244.3	46.5	242.5	47.3
	-13	-14	300.6	46.3	298.7	47.6	297.2	48.9	295.7	50.3	294.3	51.5	283.0	49.9
	-8	-9	323.7	48.3	322.7	49.7	321.9	51.1	315.9	51.0	295.9	48.0	283.0	46.0
	-3	-4	337.6	49.4	336.7	50.9	335.9	51.7	315.9	48.5	295.9	45.2	283.0	43.1
	2	1	351.2	50.5	354.7	52.4	335.9	49.2	315.9	45.8	295.9	42.3	283.0	40.1
	7	6	366.8	51.3	354.7	49.2	335.9	45.9	315.9	42.4	295.9	38.9	283.0	37.0
	12	10	374.6	49.6	354.7	46.1	335.9	42.8	315.9	39.3	295.9	36.3	283.0	34.5
	17	15	374.6	45.3	354.7	41.8	335.9	38.6	315.9	35.7	295.9	33.3	283.0	31.7
	22	20	374.6	40.9	354.7	37.7	335.9	35.1	315.9	32.8	295.9	30.5	283.0	29.0
	27	24	374.6	37.3	354.7	34.8	335.9	32.7	315.9	30.5	295.9	28.3	283.0	26.9
	32	29	374.6	34.0	354.7	31.8	335.9	29.9	315.9	27.8	295.9	25.8	283.0	24.6
	37	34	374.6	31.0	354.7	29.0	335.9	27.2	315.9	25.3	295.9	23.7	283.0	22.7
	42	38	374.6	28.8	354.7	26.9	335.9	25.3	315.9	23.6	295.9	22.2	283.0	21.4
	47	43	374.6	26.1	354.7	24.5	335.9	23.1	315.9	21.8	295.9	20.5	283.0	19.7
	52	47	374.6	24.2	354.7	22.8	335.9	21.6	315.9	20.4	295.9	19.2	283.0	18.4
	57	52	374.6	22.1	354.7	20.9	335.9	19.8	315.9	18.7	295.9	17.5	283.0	16.8
	62	56	374.6	20.6	354.7	19.5	335.9	18.5	315.9	17.4	295.9	16.4	283.0	15.7
	67	61	374.6	18.8	354.7	17.8	335.9	16.9	315.9	15.9	295.9	14.9	283.0	14.3
	72	66	374.6	17.1	354.7	16.2	335.9	15.3	315.9	14.5	295.9	13.6	283.0	13.1
75	69	374.6	16.1	354.7	15.3	335.9	14.5	315.9	13.7	295.9	12.9	283.0	12.4	
80	74	374.6	14.7	354.7	14.0	335.9	13.3	315.9	12.6	295.9	11.8	283.0	11.4	
80%	-22	-23	211.1	39.6	207.9	40.6	205.0	41.6	202.3	42.7	199.8	43.8	198.3	44.6
	-17	-18	252.5	43.4	249.0	44.4	246.0	45.5	243.1	46.6	240.5	47.8	239.0	48.6
	-13	-14	297.2	48.0	295.6	49.4	296.6	51.0	280.8	48.9	263.1	46.3	251.6	44.6
	-8	-9	321.3	50.4	315.2	50.1	298.5	47.6	280.8	45.0	263.1	42.2	251.6	40.7
	-3	-4	333.0	50.4	315.2	47.6	298.5	45.0	280.8	42.1	263.1	39.4	251.6	37.9
	2	1	333.0	47.9	315.2	44.9	298.5	42.1	280.8	39.2	263.1	36.7	251.6	35.0
	7	6	333.0	44.5	315.2	41.5	298.5	38.7	280.8	36.1	263.1	33.7	251.6	32.3
	12	10	333.0	41.5	315.2	38.5	298.5	36.1	280.8	33.7	263.1	31.6	251.6	30.2
	17	15	333.0	37.4	315.2	35.0	298.5	33.0	280.8	30.9	263.1	28.9	251.6	27.5
	22	20	333.0	34.1	315.2	32.1	298.5	30.3	280.8	28.3	263.1	26.4	251.6	25.1
	27	24	333.0	31.7	315.2	29.8	298.5	28.0	280.8	26.2	263.1	24.4	251.6	23.5
	32	29	333.0	28.9	315.2	27.2	298.5	25.6	280.8	24.0	263.1	22.6	251.6	21.8
	37	34	333.0	26.3	315.2	24.7	298.5	23.4	280.8	22.2	263.1	20.9	251.6	20.1
	42	38	333.0	24.4	315.2	23.1	298.5	22.0	280.8	20.8	263.1	19.6	251.6	18.9
	47	43	333.0	22.4	315.2	21.3	298.5	20.2	280.8	19.1	263.1	18.1	251.6	17.4
	52	47	333.0	20.9	315.2	19.9	298.5	18.9	280.8	17.9	263.1	16.9	251.6	16.2
	57	52	333.0	19.2	315.2	18.2	298.5	17.3	280.8	16.3	263.1	15.4	251.6	14.8
	62	56	333.0	17.8	315.2	16.9	298.5	16.1	280.8	15.2	263.1	14.3	251.6	13.8
	67	61	333.0	16.2	315.2	15.4	298.5	14.7	280.8	13.9	263.1	13.1	251.6	12.6
	72	66	333.0	14.8	315.2	14.0	298.5	13.4	280.8	12.7	263.1	12.0	251.6	11.8
75	69	333.0	14.0	315.2	13.3	298.5	12.7	280.8	12.0	263.1	11.7	251.6	11.3	
80	74	333.0	12.7	315.2	12.1	298.5	11.6	280.8	11.2	263.1	10.6	251.6	10.3	

NOTE - Power Input = Compressor + Outdoor Fan Motor.
 MBH = 1000 BTUs per hour.

HEATING CAPACITY - THREE MODULE | VPB312L4

Combination (%)	Outdoor Temperature (°F)		Indoor Temperature - °F Dry Bulb											
			61		64		67		70		73		75	
	Dry Bulb	Wet Bulb	Total Cap. MBH	Power Input kW	Total Cap. MBH	Power Input kW	Total Cap. MBH	Power Input kW	Total Cap. MBH	Power Input kW	Total Cap. MBH	Power Input kW	Total Cap. MBH	Power Input kW
70%	-22	-23	206.5	40.8	203.6	41.9	201.1	42.9	198.7	44.0	196.5	45.2	195.2	46.0
	-17	-18	246.8	44.9	243.8	46.0	241.3	47.1	238.8	48.3	230.2	48.0	220.1	46.8
	-13	-14	291.4	49.4	275.8	47.2	261.2	45.1	245.7	43.1	230.2	41.3	220.1	40.2
	-8	-9	291.4	45.6	275.8	43.3	261.2	41.1	245.7	39.2	230.2	37.3	220.1	36.1
	-3	-4	291.4	42.9	275.8	40.4	261.2	38.4	245.7	36.4	230.2	34.3	220.1	33.1
	2	1	291.4	39.9	275.8	37.7	261.2	35.7	245.7	33.6	230.2	31.8	220.1	30.6
	7	6	291.4	36.8	275.8	34.6	261.2	32.8	245.7	31.0	230.2	29.2	220.1	28.0
	12	10	291.4	34.2	275.8	32.4	261.2	30.7	245.7	28.9	230.2	27.1	220.1	25.9
	17	15	291.4	31.4	275.8	29.7	261.2	28.0	245.7	26.3	230.2	24.6	220.1	23.7
	22	20	291.4	28.7	275.8	27.1	261.2	25.6	245.7	24.1	230.2	22.7	220.1	21.9
	27	24	291.4	26.6	275.8	25.0	261.2	23.7	245.7	22.5	230.2	21.3	220.1	20.6
	32	29	291.4	24.2	275.8	23.0	261.2	22.0	245.7	20.9	230.2	19.8	220.1	19.1
	37	34	291.4	22.3	275.8	21.3	261.2	20.3	245.7	19.3	230.2	18.3	220.1	17.7
	42	38	291.4	20.9	275.8	19.9	261.2	19.0	245.7	18.1	230.2	17.1	220.1	16.5
	47	43	291.4	19.2	275.8	18.3	261.2	17.5	245.7	16.6	230.2	15.7	220.1	15.2
	52	47	291.4	17.9	275.8	17.1	261.2	16.3	245.7	15.5	230.2	14.6	220.1	14.1
	57	52	291.4	16.4	275.8	15.6	261.2	14.9	245.7	14.1	230.2	13.4	220.1	12.9
	62	56	291.4	15.2	275.8	14.5	261.2	13.8	245.7	13.1	230.2	12.4	220.1	12.2
	67	61	291.4	13.9	275.8	13.2	261.2	12.6	245.7	12.0	230.2	11.6	220.1	11.3
	72	66	291.4	12.6	275.8	12.1	261.2	11.7	245.7	11.3	230.2	10.8	220.1	10.4
75	69	291.4	12.0	275.8	11.5	261.2	11.3	245.7	10.8	230.2	10.3	220.1	9.9	
80	74	291.4	10.9	275.8	10.7	261.2	10.2	245.7	9.8	230.2	9.2	220.1	8.9	
60%	-22	-23	201.4	42.5	198.9	43.5	196.8	44.6	194.8	45.8	193.8	47.2	188.7	47.1
	-17	-18	240.7	47.0	236.4	47.6	223.9	46.2	210.6	44.7	197.3	43.2	188.7	42.1
	-13	-14	249.7	42.4	236.4	41.1	223.9	39.7	210.6	38.2	197.3	36.7	188.7	35.6
	-8	-9	249.7	38.7	236.4	37.2	223.9	35.7	210.6	34.1	197.3	32.6	188.7	31.6
	-3	-4	249.7	36.0	236.4	34.3	223.9	32.8	210.6	31.3	197.3	29.8	188.7	28.8
	2	1	249.7	33.2	236.4	31.7	223.9	30.3	210.6	28.8	197.3	27.2	188.7	26.2
	7	6	249.7	30.6	236.4	29.1	223.9	27.7	210.6	26.2	197.3	24.7	188.7	23.7
	12	10	249.7	28.6	236.4	27.1	223.9	25.7	210.6	24.3	197.3	22.9	188.7	22.1
	17	15	249.7	26.0	236.4	24.6	223.9	23.4	210.6	22.3	197.3	21.2	188.7	20.5
	22	20	249.7	23.7	236.4	22.6	223.9	21.7	210.6	20.7	197.3	19.7	188.7	19.0
	27	24	249.7	22.1	236.4	21.2	223.9	20.3	210.6	19.4	197.3	18.5	188.7	17.9
	32	29	249.7	20.5	236.4	19.7	223.9	18.8	210.6	18.0	197.3	17.1	188.7	16.6
	37	34	249.7	18.9	236.4	18.1	223.9	17.4	210.6	16.6	197.3	15.8	188.7	15.3
	42	38	249.7	17.7	236.4	17.0	223.9	16.3	210.6	15.5	197.3	14.7	188.7	14.2
	47	43	249.7	16.3	236.4	15.6	223.9	14.9	210.6	14.2	197.3	13.5	188.7	13.0
	52	47	249.7	15.1	236.4	14.5	223.9	13.9	210.6	13.2	197.3	12.5	188.7	12.3
	57	52	249.7	13.8	236.4	13.2	223.9	12.6	210.6	12.1	197.3	11.7	188.7	11.3
	62	56	249.7	12.8	236.4	12.3	223.9	11.9	210.6	11.5	197.3	10.9	188.7	10.5
	67	61	249.7	11.7	236.4	11.5	223.9	11.0	210.6	10.5	197.3	10.0	188.7	9.7
	72	66	249.7	11.0	236.4	10.6	223.9	10.2	210.6	9.7	197.3	9.3	188.7	9.0
75	69	249.7	10.5	236.4	10.1	223.9	9.7	210.6	9.3	197.3	8.9	188.7	8.6	
80	74	249.7	9.5	236.4	9.1	223.9	8.7	210.6	8.3	197.3	7.9	188.7	7.6	

NOTE - Power Input = Compressor + Outdoor Fan Motor.
 MBH = 1000 BTUs per hour.

HEATING CAPACITY - THREE MODULE | VPB312L4

Combination (%)	Outdoor Temperature (°F)		Indoor Temperature - °F Dry Bulb											
			61		64		67		70		73		75	
	Dry Bulb	Wet Bulb	Total Cap.	Power Input	Total Cap.	Power Input	Total Cap.	Power Input	Total Cap.	Power Input	Total Cap.	Power Input	Total Cap.	Power Input
50%	-22	-23	195.8	44.8	197.0	46.7	186.6	45.7	175.5	44.5	164.4	43.3	157.2	42.4
	-17	-18	208.1	43.1	197.0	41.9	186.6	40.8	175.5	39.5	164.4	38.1	157.2	37.1
	-13	-14	208.1	36.8	197.0	35.6	186.6	34.4	175.5	33.2	164.4	31.9	157.2	31.1
	-8	-9	208.1	32.8	197.0	31.6	186.6	30.5	175.5	29.3	164.4	28.0	157.2	27.2
	-3	-4	208.1	30.0	197.0	28.8	186.6	27.7	175.5	26.5	164.4	25.2	157.2	24.3
	2	1	208.1	27.5	197.0	26.3	186.6	25.2	175.5	23.9	164.4	22.6	157.2	21.7
	7	6	208.1	25.0	197.0	23.9	186.6	22.8	175.5	21.7	164.4	20.6	157.2	19.9
	12	10	208.1	23.2	197.0	22.2	186.6	21.3	175.5	20.3	164.4	19.4	157.2	18.7
	17	15	208.1	21.3	197.0	20.4	186.6	19.7	175.5	18.8	164.4	18.0	157.2	17.4
	22	20	208.1	19.7	197.0	19.0	186.6	18.3	175.5	17.5	164.4	16.7	157.2	16.2
	27	24	208.1	18.5	197.0	17.8	186.6	17.1	175.5	16.4	164.4	15.7	157.2	15.2
	32	29	208.1	17.2	197.0	16.5	186.6	15.9	175.5	15.2	164.4	14.5	157.2	14.1
	37	34	208.1	15.8	197.0	15.2	186.6	14.6	175.5	14.0	164.4	13.4	157.2	12.9
	42	38	208.1	14.8	197.0	14.2	186.6	13.6	175.5	13.0	164.4	12.5	157.2	12.3
	47	43	208.1	13.5	197.0	12.9	186.6	12.4	175.5	12.1	164.4	11.6	157.2	11.2
	52	47	208.1	12.5	197.0	12.1	186.6	11.8	175.5	11.3	164.4	10.7	157.2	10.4
	57	52	208.1	11.6	197.0	11.2	186.6	10.8	175.5	10.3	164.4	9.8	157.2	9.5
62	56	208.1	10.9	197.0	10.5	186.6	10.1	175.5	9.6	164.4	9.1	157.2	8.9	
67	61	208.1	10.0	197.0	9.6	186.6	9.2	175.5	8.8	164.4	8.4	157.2	8.2	
72	66	208.1	9.2	197.0	8.9	186.6	8.6	175.5	8.2	164.4	7.9	157.2	7.7	
75	69	208.1	8.8	197.0	8.5	186.6	8.2	175.5	7.9	164.4	7.6	157.2	7.5	
80	74	208.1	8.0	197.0	7.7	186.6	7.3	175.5	7.0	164.4	6.6	157.2	6.4	

NOTE - Power Input = Compressor + Outdoor Fan Motor.
 MBH = 1000 BTUs per hour.

COOLING CAPACITY - THREE MODULE | VPB336L4

Combination (%)	Outdoor Temperature °F (Dry Bulb)	Indoor Temperature - °F (Dry Bulb / Wet Bulb)											
		67 / 57		71 / 60		75 / 63		80 / 67		85 / 71		90 / 75	
		Total Cap.	Power Input	Total Cap.	Power Input	Total Cap.	Power Input	Total Cap.	Power Input	Total Cap.	Power Input	Total Cap.	Power Input
		MBH	KW	MBH	KW	MBH	KW	MBH	KW	MBH	KW	MBH	KW
130%	-10	257.5	9.9	312.9	12.2	365.1	14.4	436.8	17.5	511.8	21.0	568.6	23.8
	-5	257.5	10.5	312.9	12.9	365.1	15.3	436.8	18.6	511.8	22.3	539.9	24.0
	10	257.5	10.7	312.9	13.2	365.1	15.6	436.8	19.0	511.8	22.8	529.8	24.1
	15	257.5	11.0	312.9	13.5	365.1	15.9	436.8	19.4	506.6	23.0	518.6	24.1
	20	257.5	11.2	312.9	13.8	365.1	16.3	436.8	19.8	498.3	23.1	507.3	24.1
	25	257.5	11.5	312.9	14.1	365.1	16.7	436.8	20.3	489.6	23.2	495.6	24.1
	30	257.5	11.7	312.9	14.4	365.1	17.0	436.8	20.8	477.7	23.2	484.4	24.1
	35	257.5	12.0	312.9	14.8	365.1	17.5	436.8	21.3	467.1	23.2	473.8	24.1
	40	257.5	12.3	312.9	15.1	365.1	17.9	436.8	21.8	460.6	23.4	467.3	24.4
	45	257.5	12.6	312.9	15.5	365.1	18.3	436.8	22.3	458.4	23.9	465.1	24.8
	50	257.5	13.0	312.9	15.9	365.1	18.8	436.8	22.9	456.8	24.4	463.5	25.4
	55	257.5	13.3	312.9	16.3	365.1	19.3	436.8	23.5	455.7	25.0	462.5	26.0
	60	257.5	13.7	312.9	16.8	365.1	19.8	436.8	24.2	456.9	25.8	461.7	26.7
	65	257.5	14.0	312.9	17.3	365.1	20.4	436.8	24.8	452.3	26.2	460.9	27.4
	70	257.5	15.3	312.9	18.8	365.1	22.2	436.8	27.0	451.0	28.4	459.7	29.7
	75	257.5	16.8	312.9	20.6	365.1	24.3	430.9	29.2	448.8	31.0	457.4	32.4
	80	257.5	18.4	312.9	22.6	365.1	26.7	427.8	31.9	444.9	33.8	453.4	35.3
	85	257.5	20.2	312.9	24.8	365.1	29.3	423.1	34.6	438.7	36.6	447.1	38.2
	90	257.5	22.1	312.9	27.2	365.1	32.1	416.2	37.2	429.3	39.2	437.5	40.9
	95	257.5	24.2	312.9	29.7	365.1	35.1	386.4	37.7	393.1	39.2	399.8	40.8
	100	257.5	26.3	312.9	32.3	352.5	36.8	368.0	39.0	374.7	40.6	381.9	42.4
105	257.5	28.4	312.9	34.9	333.8	37.5	341.1	39.0	351.3	41.1	358.0	42.9	
110	257.5	30.4	290.2	34.5	300.0	36.0	311.6	38.1	320.8	40.1	327.0	41.9	
115	242.9	30.2	255.0	32.0	263.8	33.5	274.0	35.5	282.1	37.3	287.5	39.0	
118	219.8	28.0	229.5	29.6	237.5	31.0	246.6	32.8	254.0	34.5	258.8	36.1	
125	151.0	20.1	157.7	21.2	163.1	22.2	169.4	23.5	174.5	24.7	177.8	25.8	
120%	-10	237.7	9.0	288.9	11.1	337.0	13.1	403.2	15.9	472.4	19.1	538.6	22.3
	-5	237.7	9.6	288.9	11.7	337.0	13.9	403.2	16.9	472.4	20.3	528.2	23.2
	10	237.7	9.8	288.9	12.0	337.0	14.2	403.2	17.3	472.4	20.7	520.8	23.3
	15	237.7	10.0	288.9	12.3	337.0	14.5	403.2	17.7	472.4	21.1	509.6	23.3
	20	237.7	10.2	288.9	12.5	337.0	14.8	403.2	18.0	472.4	21.6	498.4	23.3
	25	237.7	10.4	288.9	12.8	337.0	15.1	403.2	18.5	472.4	22.1	486.8	23.3
	30	237.7	10.7	288.9	13.1	337.0	15.5	403.2	18.9	463.9	22.2	475.7	23.3
	35	237.7	10.9	288.9	13.4	337.0	15.9	403.2	19.3	456.1	22.3	465.2	23.3
	40	237.7	11.2	288.9	13.8	337.0	16.3	403.2	19.8	451.0	22.6	458.5	23.5
	45	237.7	11.5	288.9	14.1	337.0	16.7	403.2	20.3	449.0	23.1	456.3	24.0
	50	237.7	11.8	288.9	14.5	337.0	17.1	403.2	20.8	447.4	23.6	454.7	24.5
	55	237.7	12.1	288.9	14.9	337.0	17.5	403.2	21.4	446.2	24.1	453.7	25.1
	60	237.7	12.4	288.9	15.3	337.0	18.0	403.2	22.0	446.5	24.8	453.0	25.8
	65	237.7	12.8	288.9	15.7	337.0	18.5	403.2	22.6	443.2	25.3	452.2	26.4
	70	237.7	13.9	288.9	17.1	337.0	20.1	403.2	24.6	441.9	27.4	451.0	28.7
	75	237.7	15.2	288.9	18.7	337.0	22.1	403.2	27.0	440.0	30.0	448.8	31.3
	80	237.7	16.7	288.9	20.6	337.0	24.3	403.2	29.6	436.5	32.6	444.9	34.1
	85	237.7	18.4	288.9	22.6	337.0	26.6	403.2	32.5	430.4	35.3	438.7	36.9
	90	237.7	20.1	288.9	24.7	337.0	29.2	403.2	35.6	421.2	37.9	429.3	39.5
	95	237.7	22.0	288.9	27.0	337.0	31.9	381.1	36.6	393.1	38.6	399.8	40.2
	100	237.7	23.9	288.9	29.4	337.0	34.7	368.2	38.4	374.7	40.0	381.9	41.7
105	237.7	25.8	288.9	31.7	325.8	36.1	341.1	38.4	351.3	40.4	358.0	42.2	
110	237.7	27.6	283.3	33.2	300.0	35.5	311.6	37.5	320.8	39.5	327.0	41.3	
115	237.7	29.2	255.0	31.5	263.8	33.0	274.0	34.9	282.1	36.8	287.5	38.4	
118	217.7	27.4	229.5	29.2	237.5	30.5	246.6	32.3	254.0	34.0	258.8	35.5	
125	151.0	19.8	157.7	20.9	163.1	21.9	169.4	23.1	174.5	24.3	177.8	25.4	

NOTE - Power Input = Compressor + Outdoor Fan Motor.
MBH = 1000 BTUs per hour.

COOLING CAPACITY - THREE MODULE | VPB336L4

Combination (%)	Outdoor Temperature °F (Dry Bulb)	Indoor Temperature - °F (Dry Bulb / Wet Bulb)											
		67 / 57		71 / 60		75 / 63		80 / 67		85 / 71		90 / 75	
		Total Cap.	Power Input	Total Cap.	Power Input	Total Cap.	Power Input	Total Cap.	Power Input	Total Cap.	Power Input	Total Cap.	Power Input
		MBH	kW	MBH	kW	MBH	kW	MBH	kW	MBH	kW	MBH	kW
110%	-10	217.9	8.1	264.8	10.0	308.9	11.8	369.6	14.4	433.0	17.2	493.7	20.1
	-5	217.9	8.6	264.8	10.6	308.9	12.5	369.6	15.3	433.0	18.3	493.7	21.3
	10	217.9	8.8	264.8	10.8	308.9	12.8	369.6	15.6	433.0	18.7	493.7	21.8
	15	217.9	9.0	264.8	11.1	308.9	13.1	369.6	15.9	433.0	19.1	493.6	22.3
	20	217.9	9.2	264.8	11.3	308.9	13.4	369.6	16.3	433.0	19.5	485.4	22.4
	25	217.9	9.4	264.8	11.6	308.9	13.7	369.6	16.7	433.0	20.0	476.9	22.5
	30	217.9	9.6	264.8	11.8	308.9	14.0	369.6	17.0	433.0	20.4	466.9	22.5
	35	217.9	9.9	264.8	12.1	308.9	14.3	369.6	17.5	433.0	20.9	456.5	22.5
	40	217.9	10.1	264.8	12.4	308.9	14.7	369.6	17.9	433.0	21.4	449.7	22.7
	45	217.9	10.4	264.8	12.7	308.9	15.0	369.6	18.3	433.0	22.0	447.5	23.2
	50	217.9	10.6	264.8	13.1	308.9	15.4	369.6	18.8	433.0	22.5	446.0	23.7
	55	217.9	10.9	264.8	13.4	308.9	15.8	369.6	19.3	433.0	23.1	445.0	24.3
	60	217.9	11.2	264.8	13.8	308.9	16.3	369.6	19.8	428.9	23.5	444.3	24.9
	65	217.9	11.5	264.8	14.2	308.9	16.7	369.6	20.4	426.0	24.0	443.5	25.5
	70	217.9	12.5	264.8	15.4	308.9	18.2	369.6	22.2	424.8	26.0	442.3	27.7
	75	217.9	13.8	264.8	16.9	308.9	20.0	369.6	24.3	422.9	28.4	440.1	30.2
	80	217.9	15.1	264.8	18.6	308.9	21.9	369.6	26.7	419.9	31.0	436.3	32.9
	85	217.9	16.6	264.8	20.4	308.9	24.1	369.6	29.3	415.4	33.6	430.2	35.6
	90	217.9	18.2	264.8	22.3	308.9	26.3	369.6	32.1	408.8	36.2	421.0	38.2
	95	217.9	19.8	264.8	24.4	308.9	28.8	369.6	35.1	394.4	38.1	399.8	39.6
100	217.9	21.6	264.8	26.5	308.9	31.3	362.6	37.4	374.7	39.4	381.9	41.1	
105	217.9	23.3	264.8	28.6	308.9	33.8	339.9	37.7	351.3	39.8	358.0	41.6	
110	217.9	24.9	264.8	30.6	293.9	34.3	311.6	37.0	320.8	38.9	327.0	40.6	
115	217.9	26.4	249.8	30.5	263.8	32.5	274.0	34.4	282.1	36.2	287.5	37.8	
118	212.0	26.3	229.5	28.7	237.5	30.1	246.6	31.8	254.0	33.5	258.8	35.0	
125	151.0	19.5	157.7	20.6	163.1	21.5	169.4	22.8	174.5	24.0	177.8	25.0	
100%	-10	198.1	7.3	240.7	8.9	280.8	10.6	336.0	12.9	393.7	15.4	448.8	18.0
	-5	198.1	7.7	240.7	9.5	280.8	11.2	336.0	13.7	393.7	16.4	448.8	19.1
	10	198.1	7.9	240.7	9.7	280.8	11.5	336.0	14.0	393.7	16.7	448.8	19.5
	15	198.1	8.1	240.7	9.9	280.8	11.7	336.0	14.3	393.7	17.1	448.8	20.0
	20	198.1	8.2	240.7	10.1	280.8	12.0	336.0	14.6	393.7	17.5	448.5	20.4
	25	198.1	8.4	240.7	10.4	280.8	12.2	336.0	14.9	393.7	17.9	445.2	20.7
	30	198.1	8.6	240.7	10.6	280.8	12.5	336.0	15.3	393.7	18.3	442.0	21.0
	35	198.1	8.8	240.7	10.9	280.8	12.8	336.0	15.6	393.7	18.7	439.2	21.4
	40	198.1	9.1	240.7	11.1	280.8	13.1	336.0	16.0	393.7	19.2	436.8	21.8
	45	198.1	9.3	240.7	11.4	280.8	13.5	336.0	16.4	393.7	19.7	434.8	22.2
	50	198.1	9.5	240.7	11.7	280.8	13.8	336.0	16.8	393.7	20.2	433.3	22.7
	55	198.1	9.8	240.7	12.0	280.8	14.2	336.0	17.3	393.7	20.7	432.2	23.2
	60	198.1	10.0	240.7	12.3	280.8	14.6	336.0	17.8	393.7	21.3	431.2	23.8
	65	198.1	10.3	240.7	12.7	280.8	15.0	336.0	18.2	393.7	21.9	430.3	24.4
	70	198.1	11.2	240.7	13.8	280.8	16.3	336.0	19.8	393.7	23.8	429.0	26.5
	75	198.1	12.3	240.7	15.1	280.8	17.9	336.0	21.8	393.7	26.1	427.1	28.9
	80	198.1	13.5	240.7	16.6	280.8	19.6	336.0	23.9	393.7	28.7	424.2	31.5
	85	198.1	14.8	240.7	18.2	280.8	21.5	336.0	26.3	393.7	31.4	419.7	34.2
	90	198.1	16.3	240.7	20.0	280.8	23.6	336.0	28.8	392.0	34.3	412.8	36.9
	95	198.1	17.8	240.7	21.8	280.8	25.8	336.0	31.4	382.8	36.5	399.8	39.0
100	198.1	19.3	240.7	23.7	280.8	28.0	336.0	34.1	370.3	38.4	381.9	40.5	
105	198.1	20.8	240.7	25.6	280.8	30.2	330.3	36.2	351.3	39.2	358.0	41.0	
110	198.1	22.3	240.7	27.4	280.8	32.4	309.5	36.2	320.8	38.3	327.0	40.0	
115	198.1	23.6	240.7	29.0	260.4	31.6	274.0	33.9	282.1	35.7	287.5	37.2	
118	198.1	24.3	225.1	27.8	237.5	29.6	246.6	31.3	254.0	33.0	258.8	34.4	
125	151.0	19.2	157.7	20.2	163.1	21.2	169.4	22.4	174.5	23.6	177.8	24.6	

NOTE - Power Input = Compressor + Outdoor Fan Motor.
 MBH = 1000 BTUs per hour.

COOLING CAPACITY - THREE MODULE | VPB336L4

Combination (%)	Outdoor Temperature °F (Dry Bulb)	Indoor Temperature - °F (Dry Bulb / Wet Bulb)											
		67 / 57		71 / 60		75 / 63		80 / 67		85 / 71		90 / 75	
		Total Cap.	Power Input	Total Cap.	Power Input	Total Cap.	Power Input	Total Cap.	Power Input	Total Cap.	Power Input	Total Cap.	Power Input
		MBH	KW	MBH	KW	MBH	KW	MBH	KW	MBH	KW	MBH	KW
90%	-10	178.3	6.4	216.6	7.9	252.8	9.4	302.4	11.4	354.3	13.7	404.0	15.9
	-5	178.3	6.9	216.6	8.4	252.8	9.9	302.4	12.1	354.3	14.5	404.0	17.0
	10	178.3	7.0	216.6	8.6	252.8	10.2	302.4	12.4	354.3	14.8	404.0	17.3
	15	178.3	7.2	216.6	8.8	252.8	10.4	302.4	12.7	354.3	15.2	404.0	17.7
	20	178.3	7.3	216.6	9.0	252.8	10.6	302.4	12.9	354.3	15.5	404.0	18.1
	25	178.3	7.5	216.6	9.2	252.8	10.9	302.4	13.2	354.3	15.8	404.0	18.5
	30	178.3	7.7	216.6	9.4	252.8	11.1	302.4	13.5	354.3	16.2	404.0	18.9
	35	178.3	7.8	216.6	9.6	252.8	11.4	302.4	13.9	354.3	16.6	404.0	19.4
	40	178.3	8.0	216.6	9.9	252.8	11.6	302.4	14.2	354.3	17.0	404.0	19.9
	45	178.3	8.2	216.6	10.1	252.8	11.9	302.4	14.6	354.3	17.4	404.0	20.4
	50	178.3	8.4	216.6	10.4	252.8	12.2	302.4	14.9	354.3	17.9	404.0	20.9
	55	178.3	8.7	216.6	10.6	252.8	12.6	302.4	15.3	354.3	18.4	404.0	21.4
	60	178.3	8.9	216.6	10.9	252.8	12.9	302.4	15.7	354.3	18.9	404.0	22.0
	65	178.3	9.1	216.6	11.2	252.8	13.3	302.4	16.2	354.3	19.4	404.0	22.6
	70	178.3	9.9	216.6	12.2	252.8	14.4	302.4	17.6	354.3	21.1	404.0	24.6
	75	178.3	10.9	216.6	13.4	252.8	15.9	302.4	19.3	354.3	23.1	404.0	27.0
	80	178.3	12.0	216.6	14.7	252.8	17.4	302.4	21.2	354.3	25.4	404.0	29.7
	85	178.3	13.2	216.6	16.2	252.8	19.1	302.4	23.3	354.3	27.9	401.0	32.3
	90	178.3	14.4	216.6	17.7	252.8	20.9	302.4	25.5	354.3	30.5	394.6	34.8
	95	178.3	15.7	216.6	19.4	252.8	22.9	302.4	27.9	354.3	33.4	390.9	37.6
	100	178.3	17.1	216.6	21.0	252.8	24.8	302.4	30.3	353.9	36.2	378.2	39.5
105	178.3	18.5	216.6	22.7	252.8	26.8	302.4	32.7	342.5	37.8	358.0	40.4	
110	178.3	19.8	216.6	24.3	252.8	28.7	299.9	34.7	320.8	37.8	327.0	39.4	
115	178.3	20.9	216.6	25.7	252.4	30.3	273.5	33.3	282.1	35.1	287.5	36.7	
118	178.3	21.5	216.6	26.4	234.0	28.8	246.6	30.9	254.0	32.5	258.8	33.9	
125	151.0	18.9	157.7	19.9	163.1	20.9	169.4	22.1	174.5	23.3	177.8	24.3	
80%	-10	158.5	5.6	192.6	6.9	224.7	8.2	268.8	10.0	314.9	12.0	359.1	14.0
	-5	158.5	6.0	192.6	7.4	224.7	8.7	268.8	10.6	314.9	12.7	359.1	14.8
	10	158.5	6.1	192.6	7.5	224.7	8.9	268.8	10.8	314.9	13.0	359.1	15.2
	15	158.5	6.3	192.6	7.7	224.7	9.1	268.8	11.1	314.9	13.3	359.1	15.5
	20	158.5	6.4	192.6	7.9	224.7	9.3	268.8	11.3	314.9	13.6	359.1	15.8
	25	158.5	6.5	192.6	8.0	224.7	9.5	268.8	11.6	314.9	13.9	359.1	16.2
	30	158.5	6.7	192.6	8.2	224.7	9.7	268.8	11.9	314.9	14.2	359.1	16.6
	35	158.5	6.9	192.6	8.4	224.7	10.0	268.8	12.1	314.9	14.5	359.1	17.0
	40	158.5	7.0	192.6	8.6	224.7	10.2	268.8	12.4	314.9	14.9	359.1	17.4
	45	158.5	7.2	192.6	8.9	224.7	10.5	268.8	12.7	314.9	15.3	359.1	17.8
	50	158.5	7.4	192.6	9.1	224.7	10.7	268.8	13.1	314.9	15.7	359.1	18.3
	55	158.5	7.6	192.6	9.3	224.7	11.0	268.8	13.4	314.9	16.1	359.1	18.8
	60	158.5	7.8	192.6	9.6	224.7	11.3	268.8	13.8	314.9	16.5	359.1	19.3
	65	158.5	8.0	192.6	9.8	224.7	11.6	268.8	14.2	314.9	17.0	359.1	19.8
	70	158.5	8.7	192.6	10.7	224.7	12.6	268.8	15.4	314.9	18.5	359.1	21.6
	75	158.5	9.6	192.6	11.8	224.7	13.9	268.8	16.9	314.9	20.3	359.1	23.7
	80	158.5	10.5	192.6	12.9	224.7	15.2	268.8	18.6	314.9	22.3	359.1	26.0
	85	158.5	11.5	192.6	14.2	224.7	16.7	268.8	20.4	314.9	24.4	359.1	28.5
	90	158.5	12.6	192.6	15.5	224.7	18.3	268.8	22.3	314.9	26.8	359.1	31.2
	95	158.5	13.8	192.6	17.0	224.7	20.0	268.8	24.4	314.9	29.2	359.1	34.1
	100	158.5	15.0	192.6	18.4	224.7	21.8	268.8	26.5	314.9	31.8	359.1	37.1
105	158.5	16.2	192.6	19.9	224.7	23.5	268.8	28.6	314.9	34.3	348.5	38.8	
110	158.5	17.3	192.6	21.3	224.7	25.1	268.8	30.6	309.8	36.1	326.7	38.8	
115	158.5	18.3	192.6	22.5	224.7	26.6	263.9	31.8	282.1	34.6	287.5	36.1	
118	158.5	18.8	192.6	23.2	224.7	27.3	244.8	30.2	254.0	32.0	258.8	33.4	
125	146.9	18.2	157.7	19.7	163.1	20.6	169.4	21.8	174.5	22.9	177.8	23.9	

NOTE - Power Input = Compressor + Outdoor Fan Motor.
 MBH = 1000 BTUs per hour.

COOLING CAPACITY - THREE MODULE | VPB336L4

Combination (%)	Outdoor Temperature °F (Dry Bulb)	Indoor Temperature - °F (Dry Bulb / Wet Bulb)											
		67 / 57		71 / 60		75 / 63		80 / 67		85 / 71		90 / 75	
		Total Cap.	Power Input	Total Cap.	Power Input	Total Cap.	Power Input	Total Cap.	Power Input	Total Cap.	Power Input	Total Cap.	Power Input
		MBH	kW	MBH	kW	MBH	kW	MBH	kW	MBH	kW	MBH	kW
70%	-10	138.7	4.9	168.5	6.0	196.6	7.1	235.2	8.6	275.6	10.3	314.2	12.0
	-5	138.7	5.2	168.5	6.4	196.6	7.5	235.2	9.2	275.6	11.0	314.2	12.8
	10	138.7	5.3	168.5	6.5	196.6	7.7	235.2	9.4	275.6	11.2	314.2	13.1
	15	138.7	5.4	168.5	6.6	196.6	7.8	235.2	9.6	275.6	11.4	314.2	13.4
	20	138.7	5.5	168.5	6.8	196.6	8.0	235.2	9.8	275.6	11.7	314.2	13.7
	25	138.7	5.6	168.5	6.9	196.6	8.2	235.2	10.0	275.6	12.0	314.2	14.0
	30	138.7	5.8	168.5	7.1	196.6	8.4	235.2	10.2	275.6	12.2	314.2	14.3
	35	138.7	5.9	168.5	7.3	196.6	8.6	235.2	10.5	275.6	12.5	314.2	14.6
	40	138.7	6.1	168.5	7.5	196.6	8.8	235.2	10.7	275.6	12.8	314.2	15.0
	45	138.7	6.2	168.5	7.6	196.6	9.0	235.2	11.0	275.6	13.2	314.2	15.4
	50	138.7	6.4	168.5	7.8	196.6	9.3	235.2	11.3	275.6	13.5	314.2	15.8
	55	138.7	6.5	168.5	8.0	196.6	9.5	235.2	11.6	275.6	13.9	314.2	16.2
	60	138.7	6.7	168.5	8.3	196.6	9.8	235.2	11.9	275.6	14.2	314.2	16.6
	65	138.7	6.9	168.5	8.5	196.6	10.0	235.2	12.2	275.6	14.6	314.2	17.1
	70	138.7	7.5	168.5	9.2	196.6	10.9	235.2	13.3	275.6	15.9	314.2	18.6
	75	138.7	8.3	168.5	10.1	196.6	12.0	235.2	14.6	275.6	17.5	314.2	20.4
	80	138.7	9.1	168.5	11.1	196.6	13.1	235.2	16.0	275.6	19.2	314.2	22.4
	85	138.7	9.9	168.5	12.2	196.6	14.4	235.2	17.6	275.6	21.1	314.2	24.6
	90	138.7	10.9	168.5	13.4	196.6	15.8	235.2	19.3	275.6	23.1	314.2	26.9
	95	138.7	11.9	168.5	14.6	196.6	17.3	235.2	21.0	275.6	25.2	314.2	29.4
100	138.7	12.9	168.5	15.9	196.6	18.8	235.2	22.9	275.6	27.4	314.2	32.0	
105	138.7	14.0	168.5	17.2	196.6	20.3	235.2	24.7	275.6	29.6	314.2	34.5	
110	138.7	14.9	168.5	18.4	196.6	21.7	235.2	26.4	275.6	31.7	313.8	36.9	
115	138.7	15.8	168.5	19.4	196.6	22.9	235.2	28.0	271.4	33.0	286.2	35.5	
118	138.7	16.3	168.5	20.0	196.6	23.6	235.2	28.7	251.7	31.3	258.8	33.0	
125	135.2	16.5	154.3	19.0	163.1	20.3	169.4	21.5	174.5	22.6	177.8	23.6	
60%	-10	118.9	4.1	144.4	5.1	168.5	6.0	201.6	7.3	236.2	8.7	269.3	10.2
	-5	118.9	4.4	144.4	5.4	168.5	6.3	201.6	7.7	236.2	9.3	269.3	10.8
	10	118.9	4.5	144.4	5.5	168.5	6.5	201.6	7.9	236.2	9.5	269.3	11.1
	15	118.9	4.6	144.4	5.6	168.5	6.6	201.6	8.1	236.2	9.7	269.3	11.3
	20	118.9	4.7	144.4	5.7	168.5	6.8	201.6	8.3	236.2	9.9	269.3	11.5
	25	118.9	4.8	144.4	5.9	168.5	6.9	201.6	8.4	236.2	10.1	269.3	11.8
	30	118.9	4.9	144.4	6.0	168.5	7.1	201.6	8.6	236.2	10.3	269.3	12.1
	35	118.9	5.0	144.4	6.1	168.5	7.3	201.6	8.8	236.2	10.6	269.3	12.4
	40	118.9	5.1	144.4	6.3	168.5	7.4	201.6	9.1	236.2	10.9	269.3	12.7
	45	118.9	5.3	144.4	6.5	168.5	7.6	201.6	9.3	236.2	11.1	269.3	13.0
	50	118.9	5.4	144.4	6.6	168.5	7.8	201.6	9.5	236.2	11.4	269.3	13.3
	55	118.9	5.5	144.4	6.8	168.5	8.0	201.6	9.8	236.2	11.7	269.3	13.7
	60	118.9	5.7	144.4	7.0	168.5	8.2	201.6	10.0	236.2	12.0	269.3	14.1
	65	118.9	5.8	144.4	7.2	168.5	8.5	201.6	10.3	236.2	12.4	269.3	14.4
	70	118.9	6.4	144.4	7.8	168.5	9.2	201.6	11.2	236.2	13.5	269.3	15.7
	75	118.9	7.0	144.4	8.6	168.5	10.1	201.6	12.3	236.2	14.8	269.3	17.3
	80	118.9	7.7	144.4	9.4	168.5	11.1	201.6	13.5	236.2	16.2	269.3	18.9
	85	118.9	8.4	144.4	10.3	168.5	12.2	201.6	14.9	236.2	17.8	269.3	20.8
	90	118.9	9.2	144.4	11.3	168.5	13.4	201.6	16.3	236.2	19.5	269.3	22.8
	95	118.9	10.1	144.4	12.4	168.5	14.6	201.6	17.8	236.2	21.3	269.3	24.9
100	118.9	10.9	144.4	13.4	168.5	15.9	201.6	19.3	236.2	23.2	269.3	27.0	
105	118.9	11.8	144.4	14.5	168.5	17.1	201.6	20.9	236.2	25.0	269.3	29.2	
110	118.9	12.6	144.4	15.5	168.5	18.3	201.6	22.3	236.2	26.7	269.3	31.2	
115	118.9	13.4	144.4	16.4	168.5	19.4	201.6	23.6	236.2	28.3	269.3	33.0	
118	118.9	13.7	144.4	16.9	168.5	19.9	201.6	24.3	236.2	29.1	253.3	31.9	
125	118.9	14.3	144.4	17.6	157.9	19.4	169.4	21.2	174.5	22.3	177.8	23.3	

NOTE - Power Input = Compressor + Outdoor Fan Motor.
MBH = 1000 BTUs per hour.

COOLING CAPACITY - THREE MODULE | VPB336L4

Combination (%)	Outdoor Temperature °F (Dry Bulb)	Indoor Temperature - °F (Dry Bulb / Wet Bulb)											
		67 / 57		71 / 60		75 / 63		80 / 67		85 / 71		90 / 75	
		Total Cap.	Power Input	Total Cap.	Power Input	Total Cap.	Power Input	Total Cap.	Power Input	Total Cap.	Power Input	Total Cap.	Power Input
		MBH	kW	MBH	kW	MBH	kW	MBH	kW	MBH	kW	MBH	kW
50%	-10	92.5	3.2	120.4	4.2	140.4	4.9	168.0	6.0	196.8	7.2	224.4	8.4
	-5	99.0	3.6	120.4	4.4	140.4	5.2	168.0	6.4	196.8	7.6	224.4	8.9
	10	99.0	3.7	120.4	4.5	140.4	5.3	168.0	6.5	196.8	7.8	224.4	9.1
	15	99.0	3.8	120.4	4.6	140.4	5.4	168.0	6.6	196.8	7.9	224.4	9.3
	20	99.0	3.8	120.4	4.7	140.4	5.6	168.0	6.8	196.8	8.1	224.4	9.5
	25	99.0	3.9	120.4	4.8	140.4	5.7	168.0	6.9	196.8	8.3	224.4	9.7
	30	99.0	4.0	120.4	4.9	140.4	5.8	168.0	7.1	196.8	8.5	224.4	9.9
	35	99.0	4.1	120.4	5.1	140.4	6.0	168.0	7.3	196.8	8.7	224.4	10.2
	40	99.0	4.2	120.4	5.2	140.4	6.1	168.0	7.4	196.8	8.9	224.4	10.4
	45	99.0	4.3	120.4	5.3	140.4	6.3	168.0	7.6	196.8	9.1	224.4	10.7
	50	99.0	4.4	120.4	5.4	140.4	6.4	168.0	7.8	196.8	9.4	224.4	11.0
	55	99.0	4.5	120.4	5.6	140.4	6.6	168.0	8.0	196.8	9.6	224.4	11.2
	60	99.0	4.7	120.4	5.7	140.4	6.8	168.0	8.3	196.8	9.9	224.4	11.5
	65	99.0	4.8	120.4	5.9	140.4	7.0	168.0	8.5	196.8	10.2	224.4	11.9
	70	99.0	5.2	120.4	6.4	140.4	7.6	168.0	9.2	196.8	11.1	224.4	12.9
	75	99.0	5.7	120.4	7.0	140.4	8.3	168.0	10.1	196.8	12.1	224.4	14.2
	80	99.0	6.3	120.4	7.7	140.4	9.1	168.0	11.1	196.8	13.3	224.4	15.6
	85	99.0	6.9	120.4	8.5	140.4	10.0	168.0	12.2	196.8	14.6	224.4	17.1
	90	99.0	7.6	120.4	9.3	140.4	11.0	168.0	13.4	196.8	16.0	224.4	18.7
	95	99.0	8.3	120.4	10.2	140.4	12.0	168.0	14.6	196.8	17.5	224.4	20.4
100	99.0	9.0	120.4	11.0	140.4	13.0	168.0	15.9	196.8	19.0	224.4	22.2	
105	99.0	9.7	120.4	11.9	140.4	14.1	168.0	17.1	196.8	20.5	224.4	24.0	
110	99.0	10.4	120.4	12.7	140.4	15.1	168.0	18.3	196.8	22.0	224.4	25.7	
115	99.0	11.0	120.4	13.5	140.4	15.9	168.0	19.4	196.8	23.3	224.4	27.2	
118	99.0	11.3	120.4	13.9	140.4	16.4	168.0	20.0	196.8	23.9	224.4	27.9	
125	99.0	11.8	120.4	14.5	140.4	17.1	162.0	20.0	173.7	21.9	177.8	22.9	

NOTE - Power Input = Compressor + Outdoor Fan Motor.
 MBH = 1000 BTUs per hour.

HEATING CAPACITY - THREE MODULE | VPB336L4

Combination (%)	Outdoor Temperature (°F)		Indoor Temperature - °F Dry Bulb											
			61		64		67		70		73		75	
	Dry Bulb	Wet Bulb	Total Cap. MBH	Power Input kW	Total Cap. MBH	Power Input kW	Total Cap. MBH	Power Input kW	Total Cap. MBH	Power Input kW	Total Cap. MBH	Power Input kW	Total Cap. MBH	Power Input kW
130%	-22	-23	247.7	40.2	242.5	41.4	238.0	42.6	233.6	43.9	229.6	45.0	227.2	29.1
	-17	-18	297.1	43.7	291.8	44.8	287.2	46.0	282.7	47.3	278.5	48.4	276.0	31.0
	-13	-14	336.0	46.7	333.6	48.0	331.4	49.5	329.3	51.0	327.4	52.3	326.2	33.1
	-8	-9	355.3	48.2	354.2	49.7	353.3	51.2	352.3	52.8	351.4	54.3	350.8	34.3
	-3	-4	371.1	49.2	370.3	50.7	369.6	52.3	368.8	54.0	368.0	55.4	367.5	35.0
	2	1	387.1	50.3	386.1	51.8	385.2	53.4	384.2	55.1	383.2	56.6	382.5	36.0
	7	6	404.5	50.4	403.1	52.0	401.8	53.5	400.5	55.2	399.1	56.7	398.2	36.0
	12	10	420.3	50.7	418.7	52.3	417.1	53.8	415.4	55.5	413.8	57.0	412.7	36.2
	17	15	442.8	51.4	440.8	52.9	438.9	54.4	436.8	56.1	434.8	57.6	432.9	36.2
	22	20	466.7	52.1	464.3	53.7	462.0	55.2	459.7	57.2	460.3	56.3	440.3	33.8
	27	24	488.5	53.0	485.8	54.5	483.3	56.0	479.3	55.5	460.3	52.2	440.3	31.2
	32	29	515.7	54.1	512.6	55.6	508.0	55.1	491.4	51.5	460.3	47.2	440.3	28.2
	37	34	545.3	55.4	538.3	54.6	522.5	51.0	491.4	46.3	460.3	42.6	440.3	25.6
	42	38	566.1	54.5	551.7	51.3	522.5	46.8	491.4	42.7	460.3	39.6	440.3	23.7
	47	43	582.7	50.3	551.7	45.9	522.5	42.1	491.4	38.8	460.3	36.0	440.3	21.6
	52	47	582.7	46.1	551.7	42.2	522.5	39.1	491.4	36.0	460.3	33.5	440.3	20.1
	57	52	582.7	41.4	551.7	38.4	522.5	35.5	491.4	32.8	460.3	30.4	440.3	18.3
	62	56	582.7	38.4	551.7	35.6	522.5	33.0	491.4	30.4	460.3	28.2	440.3	17.0
	67	61	582.7	34.9	551.7	32.3	522.5	29.9	491.4	27.6	460.3	25.7	440.3	15.5
	72	66	582.7	31.6	551.7	29.2	522.5	27.1	491.4	25.1	460.3	23.4	440.3	14.1
75	69	582.7	29.7	551.7	27.5	522.5	25.5	491.4	23.6	460.3	22.1	440.3	13.3	
80	74	582.7	26.8	551.7	25.0	522.5	23.2	491.4	21.6	460.3	20.2	440.3	12.2	
120%	-22	-23	244.5	40.8	239.6	41.9	235.3	43.1	231.0	44.5	227.2	45.6	224.9	29.5
	-17	-18	292.8	44.3	287.7	45.4	283.4	46.6	279.1	47.9	275.1	49.1	272.8	31.5
	-13	-14	333.1	47.5	330.7	48.9	328.7	50.4	326.7	51.9	324.9	53.3	323.8	33.7
	-8	-9	353.2	49.2	352.2	50.7	351.3	52.3	350.3	53.9	349.4	55.4	348.9	34.9
	-3	-4	369.1	50.2	368.4	51.8	367.6	53.4	366.8	55.1	366.1	56.6	365.6	35.7
	2	1	385.0	51.4	384.0	53.0	383.1	54.6	382.0	56.3	381.0	57.8	379.9	36.7
	7	6	402.1	51.6	400.7	53.2	399.4	54.8	398.0	56.5	396.7	57.9	397.3	37.0
	12	10	417.6	52.0	416.0	53.5	414.4	55.1	412.7	56.8	413.5	58.1	406.4	35.7
	17	15	439.7	52.6	437.7	54.2	435.8	55.8	433.8	56.8	424.9	54.7	406.4	32.9
	22	20	463.2	53.5	460.8	55.0	458.6	56.4	453.6	54.1	424.9	50.1	406.4	30.1
	27	24	484.7	54.4	482.0	56.3	482.3	54.6	453.6	50.0	424.9	46.1	406.4	27.7
	32	29	513.4	55.9	509.2	54.0	482.3	49.6	453.6	45.3	424.9	41.9	406.4	25.2
	37	34	537.9	52.9	509.2	48.6	482.3	44.6	453.6	41.0	424.9	38.1	406.4	22.9
	42	38	537.9	48.6	509.2	44.6	482.3	41.2	453.6	38.0	424.9	35.4	406.4	21.4
	47	43	537.9	43.5	509.2	40.3	482.3	37.4	453.6	34.6	424.9	32.3	406.4	19.5
	52	47	537.9	40.2	509.2	37.4	482.3	34.7	453.6	32.1	424.9	30.0	406.4	18.1
	57	52	537.9	36.5	509.2	34.0	482.3	31.6	453.6	29.2	424.9	27.3	406.4	16.5
	62	56	537.9	33.8	509.2	31.5	482.3	29.3	453.6	27.1	424.9	25.4	406.4	15.4
	67	61	537.9	30.7	509.2	28.5	482.3	26.5	453.6	24.7	424.9	23.1	406.4	14.0
	72	66	537.9	27.7	509.2	25.8	482.3	24.1	453.6	22.5	424.9	21.0	406.4	12.7
75	69	537.9	26.0	509.2	24.3	482.3	22.8	453.6	21.2	424.9	19.9	406.4	12.0	
80	74	537.9	23.7	509.2	22.2	482.3	20.8	453.6	19.4	424.9	18.2	406.4	11.0	

NOTE - Power Input = Compressor + Outdoor Fan Motor.
 MBH = 1000 BTUs per hour.

HEATING CAPACITY - THREE MODULE | VPB336L4

Combination (%)	Outdoor Temperature (°F)		Indoor Temperature - °F Dry Bulb											
			61		64		67		70		73		75	
	Dry Bulb	Wet Bulb	Total Cap. MBH	Power Input kW	Total Cap. MBH	Power Input kW	Total Cap. MBH	Power Input kW	Total Cap. MBH	Power Input kW	Total Cap. MBH	Power Input kW	Total Cap. MBH	Power Input kW
110%	-22	-23	240.7	41.4	236.2	42.6	232.2	43.8	228.3	45.1	224.7	46.3	222.5	29.9
	-17	-18	288.2	45.0	283.5	46.2	279.4	47.4	275.4	48.7	271.7	49.9	269.5	32.0
	-13	-14	330.1	48.6	327.9	50.0	326.0	51.5	324.1	53.0	322.4	54.4	321.3	34.4
	-8	-9	351.1	50.4	350.1	51.9	349.3	53.5	348.4	55.2	347.5	56.8	347.0	35.8
	-3	-4	367.2	51.5	366.4	53.2	365.7	54.8	364.9	56.5	364.2	57.7	360.4	36.2
	2	1	382.9	52.8	381.9	54.4	380.9	56.1	379.9	57.6	377.3	58.4	372.5	36.4
	7	6	399.6	53.0	398.2	54.6	396.9	56.3	395.6	57.4	389.5	56.0	372.5	34.1
	12	10	414.8	53.4	413.1	55.0	411.6	57.1	415.8	56.6	389.5	52.8	372.5	32.0
	17	15	436.5	54.1	434.5	55.7	432.6	55.6	415.8	52.1	389.5	48.4	372.5	29.3
	22	20	459.5	55.1	456.2	54.9	442.1	51.7	415.8	47.5	389.5	44.1	372.5	26.7
	27	24	479.6	54.5	466.8	51.7	442.1	47.7	415.8	43.8	389.5	40.9	372.5	24.7
	32	29	493.1	50.7	466.8	46.8	442.1	43.2	415.8	39.9	389.5	37.3	372.5	22.5
	37	34	493.1	45.5	466.8	42.1	442.1	39.2	415.8	36.3	389.5	34.0	372.5	20.6
	42	38	493.1	41.8	466.8	39.0	442.1	36.3	415.8	33.7	389.5	31.6	372.5	19.1
	47	43	493.1	38.0	466.8	35.4	442.1	33.1	415.8	30.7	389.5	28.8	372.5	17.4
	52	47	493.1	35.2	466.8	32.9	442.1	30.7	415.8	28.5	389.5	26.8	372.5	16.3
	57	52	493.1	32.0	466.8	29.9	442.1	27.9	415.8	26.0	389.5	24.5	372.5	14.8
	62	56	493.1	29.6	466.8	27.7	442.1	25.9	415.8	24.2	389.5	22.8	372.5	13.8
	67	61	493.1	26.8	466.8	25.1	442.1	23.6	415.8	22.0	389.5	20.7	372.5	12.5
	72	66	493.1	24.3	466.8	22.8	442.1	21.4	415.8	20.0	389.5	18.8	372.5	11.4
75	69	493.1	22.9	466.8	21.5	442.1	20.2	415.8	18.9	389.5	17.8	372.5	10.8	
80	74	493.1	20.8	466.8	19.6	442.1	18.5	415.8	17.3	389.5	16.4	372.5	10.1	
100%	-22	-23	236.7	42.1	232.4	43.4	228.7	44.6	225.0	45.9	221.7	47.2	219.7	30.5
	-17	-18	283.5	45.9	279.1	47.1	275.3	48.4	271.5	49.7	268.1	50.9	266.0	32.7
	-13	-14	327.0	49.8	325.0	51.3	323.2	52.8	321.5	54.4	319.9	55.8	318.9	35.3
	-8	-9	349.1	51.2	348.1	52.9	347.3	54.4	346.5	56.2	349.7	58.6	338.7	57.1
	-3	-4	365.3	52.5	364.5	54.2	363.8	55.8	363.1	57.6	354.1	56.8	338.7	54.5
	2	1	380.7	53.8	379.7	55.5	378.8	57.2	378.0	58.3	354.1	54.5	338.7	52.0
	7	6	397.0	54.1	395.6	55.8	395.5	57.5	378.0	54.6	354.1	50.8	338.7	48.3
	12	10	411.8	54.6	412.3	56.5	401.9	55.2	378.0	51.4	354.1	47.6	338.7	45.1
	17	15	434.4	55.4	424.4	54.3	401.9	50.8	378.0	47.0	354.1	43.4	338.7	41.4
	22	20	448.3	53.5	424.4	49.8	401.9	46.3	378.0	42.8	354.1	39.8	338.7	37.9
	27	24	448.3	49.4	424.4	45.8	401.9	42.5	378.0	39.6	354.1	36.8	338.7	35.1
	32	29	448.3	44.6	424.4	41.4	401.9	38.8	378.0	36.2	354.1	33.7	338.7	32.1
	37	34	448.3	40.2	424.4	37.6	401.9	35.3	378.0	33.0	354.1	30.7	338.7	29.2
	42	38	448.3	37.3	424.4	34.9	401.9	32.8	378.0	30.6	354.1	28.5	338.7	27.3
	47	43	448.3	33.9	424.4	31.8	401.9	29.9	378.0	27.9	354.1	26.1	338.7	25.0
	52	47	448.3	31.5	424.4	29.5	401.9	27.7	378.0	26.0	354.1	24.4	338.7	23.3
	57	52	448.3	28.6	424.4	26.7	401.9	25.3	378.0	23.7	354.1	22.2	338.7	21.2
	62	56	448.3	26.4	424.4	24.9	401.9	23.5	378.0	22.0	354.1	20.6	338.7	19.7
	67	61	448.3	24.0	424.4	22.6	401.9	21.4	378.0	20.0	354.1	18.7	338.7	17.9
	72	66	448.3	21.8	424.4	20.5	401.9	19.4	378.0	18.2	354.1	17.1	338.7	16.5
75	69	448.3	20.5	424.4	19.4	401.9	18.3	378.0	17.2	354.1	16.3	338.7	15.6	
80	74	448.3	18.7	424.4	17.7	401.9	16.8	378.0	15.9	354.1	15.0	338.7	14.5	

NOTE - Power Input = Compressor + Outdoor Fan Motor.
 MBH = 1000 BTUs per hour.

HEATING CAPACITY - THREE MODULE | VPB336L4

Combination (%)	Outdoor Temperature (°F)		Indoor Temperature - °F Dry Bulb											
			61		64		67		70		73		75	
	Dry Bulb	Wet Bulb	Total Cap. MBH	Power Input kW	Total Cap. MBH	Power Input kW	Total Cap. MBH	Power Input kW	Total Cap. MBH	Power Input kW	Total Cap. MBH	Power Input kW	Total Cap. MBH	Power Input kW
90%	-22	-23	232.4	42.6	228.4	43.9	224.9	45.1	221.5	46.4	218.4	47.8	216.6	48.8
	-17	-18	278.4	46.6	274.4	47.8	270.9	49.1	267.5	50.4	264.3	51.8	262.4	52.8
	-13	-14	323.8	50.8	322.0	52.3	320.4	53.8	318.8	55.5	318.7	57.1	304.8	55.3
	-8	-9	347.0	53.1	346.1	54.7	345.3	56.4	340.2	56.6	318.7	53.6	304.8	51.7
	-3	-4	363.3	54.5	362.6	56.2	361.7	57.2	340.2	54.0	318.7	50.8	304.8	48.8
	2	1	378.4	55.9	381.9	58.0	361.7	54.8	340.2	51.6	318.7	48.3	304.8	46.2
	7	6	395.6	56.3	381.9	54.3	361.7	51.2	340.2	47.8	318.7	44.6	304.8	42.9
	12	10	403.4	54.4	381.9	51.1	361.7	48.0	340.2	44.6	318.7	41.9	304.8	40.1
	17	15	403.4	50.1	381.9	46.8	361.7	43.7	340.2	40.9	318.7	38.3	304.8	36.6
	22	20	403.4	45.6	381.9	42.4	361.7	40.0	340.2	37.4	318.7	35.0	304.8	33.4
	27	24	403.4	41.8	381.9	39.3	361.7	37.0	340.2	34.6	318.7	32.4	304.8	30.9
	32	29	403.4	38.2	381.9	35.8	361.7	33.8	340.2	31.7	318.7	29.6	304.8	28.3
	37	34	403.4	34.7	381.9	32.7	361.7	30.8	340.2	28.8	318.7	27.1	304.8	26.0
	42	38	403.4	32.2	381.9	30.3	361.7	28.5	340.2	26.9	318.7	25.3	304.8	24.3
	47	43	403.4	29.3	381.9	27.5	361.7	26.1	340.2	24.6	318.7	23.2	304.8	22.3
	52	47	403.4	27.1	381.9	25.7	361.7	24.3	340.2	22.9	318.7	21.6	304.8	20.7
	57	52	403.4	24.7	381.9	23.4	361.7	22.2	340.2	20.9	318.7	19.6	304.8	18.8
	62	56	403.4	23.0	381.9	21.7	361.7	20.6	340.2	19.4	318.7	18.2	304.8	17.4
	67	61	403.4	20.8	381.9	19.7	361.7	18.7	340.2	17.6	318.7	16.6	304.8	16.0
	72	66	403.4	18.9	381.9	17.9	361.7	17.0	340.2	16.1	318.7	15.2	304.8	14.6
75	69	403.4	17.8	381.9	16.9	361.7	16.1	340.2	15.3	318.7	14.4	304.8	13.9	
80	74	403.4	16.3	381.9	15.6	361.7	14.9	340.2	14.2	318.7	13.3	304.8	12.9	
80%	-22	-23	227.7	43.8	224.1	45.0	220.9	46.3	217.8	47.7	215.0	49.1	213.4	50.0
	-17	-18	273.0	48.0	269.4	49.3	266.3	50.5	263.2	51.9	260.3	53.4	258.7	54.4
	-13	-14	320.5	52.8	318.9	54.4	321.5	56.5	302.4	54.1	283.3	51.6	270.9	50.0
	-8	-9	344.9	55.4	339.5	55.5	321.5	53.0	302.4	50.5	283.3	47.9	270.9	46.5
	-3	-4	358.6	55.6	339.5	52.9	321.5	50.3	302.4	47.6	283.3	45.1	270.9	43.7
	2	1	358.6	53.2	339.5	50.4	321.5	47.8	302.4	45.0	283.3	42.8	270.9	41.3
	7	6	358.6	49.6	339.5	46.7	321.5	44.1	302.4	41.8	283.3	39.4	270.9	37.9
	12	10	358.6	46.4	339.5	43.6	321.5	41.4	302.4	39.1	283.3	36.7	270.9	35.2
	17	15	358.6	42.2	339.5	40.0	321.5	37.8	302.4	35.6	283.3	33.4	270.9	32.0
	22	20	358.6	38.7	339.5	36.5	321.5	34.5	302.4	32.5	283.3	30.5	270.9	29.1
	27	24	358.6	35.8	339.5	33.8	321.5	32.0	302.4	30.0	283.3	28.2	270.9	27.2
	32	29	358.6	32.6	339.5	30.8	321.5	29.2	302.4	27.5	283.3	26.0	270.9	25.1
	37	34	358.6	29.7	339.5	28.0	321.5	26.7	302.4	25.3	283.3	23.9	270.9	23.0
	42	38	358.6	27.5	339.5	26.2	321.5	24.9	302.4	23.6	283.3	22.3	270.9	21.5
	47	43	358.6	25.2	339.5	24.0	321.5	22.8	302.4	21.6	283.3	20.4	270.9	19.6
	52	47	358.6	23.5	339.5	22.3	321.5	21.2	302.4	20.0	283.3	18.9	270.9	18.2
	57	52	358.6	21.3	339.5	20.3	321.5	19.3	302.4	18.2	283.3	17.2	270.9	16.6
	62	56	358.6	19.8	339.5	18.8	321.5	17.8	302.4	16.9	283.3	16.0	270.9	15.4
	67	61	358.6	17.9	339.5	17.0	321.5	16.3	302.4	15.5	283.3	14.6	270.9	14.0
	72	66	358.6	16.3	339.5	15.6	321.5	14.9	302.4	14.1	283.3	13.4	270.9	13.2
75	69	358.6	15.5	339.5	14.8	321.5	14.1	302.4	13.4	283.3	13.0	270.9	12.6	
80	74	358.6	14.3	339.5	13.6	321.5	13.1	302.4	12.6	283.3	12.0	270.9	11.5	

NOTE - Power Input = Compressor + Outdoor Fan Motor.
 MBH = 1000 BTUs per hour.

HEATING CAPACITY - THREE MODULE | VPB336L4

Combination (%)	Outdoor Temperature (°F)		Indoor Temperature - °F Dry Bulb											
			61		64		67		70		73		75	
	Dry Bulb	Wet Bulb	Total Cap. MBH	Power Input kW	Total Cap. MBH	Power Input kW	Total Cap. MBH	Power Input kW	Total Cap. MBH	Power Input kW	Total Cap. MBH	Power Input kW	Total Cap. MBH	Power Input kW
70%	-22	-23	222.7	45.2	219.4	46.6	216.6	47.8	213.9	49.3	211.4	50.7	210.0	51.7
	-17	-18	267.2	49.8	264.0	51.1	261.3	52.5	259.0	54.0	247.9	53.7	237.1	52.6
	-13	-14	313.8	54.2	297.1	52.2	281.3	50.2	264.6	48.4	247.9	46.8	237.1	45.8
	-8	-9	313.8	50.8	297.1	48.6	281.3	46.5	264.6	44.9	247.9	43.2	237.1	42.1
	-3	-4	313.8	48.0	297.1	45.7	281.3	43.9	264.6	42.1	247.9	40.3	237.1	39.1
	2	1	313.8	45.4	297.1	43.3	281.3	41.5	264.6	39.6	247.9	37.7	237.1	36.4
	7	6	313.8	42.0	297.1	40.1	281.3	38.3	264.6	36.3	247.9	34.3	237.1	33.0
	12	10	313.8	39.4	297.1	37.4	281.3	35.6	264.6	33.7	247.9	31.7	237.1	30.5
	17	15	313.8	35.9	297.1	34.0	281.3	32.4	264.6	30.6	247.9	28.8	237.1	27.8
	22	20	313.8	32.7	297.1	31.0	281.3	29.5	264.6	27.9	247.9	26.5	237.1	25.6
	27	24	313.8	30.3	297.1	28.7	281.3	27.3	264.6	26.0	247.9	24.7	237.1	23.9
	32	29	313.8	27.6	297.1	26.3	281.3	25.2	264.6	24.0	247.9	22.8	237.1	22.0
	37	34	313.8	25.3	297.1	24.2	281.3	23.1	264.6	22.0	247.9	20.9	237.1	20.2
	42	38	313.8	23.6	297.1	22.6	281.3	21.6	264.6	20.5	247.9	19.5	237.1	18.8
	47	43	313.8	21.6	297.1	20.6	281.3	19.7	264.6	18.7	247.9	17.7	237.1	17.1
	52	47	313.8	20.0	297.1	19.1	281.3	18.2	264.6	17.3	247.9	16.5	237.1	15.9
	57	52	313.8	18.2	297.1	17.3	281.3	16.6	264.6	15.8	247.9	14.9	237.1	14.4
	62	56	313.8	16.8	297.1	16.1	281.3	15.4	264.6	14.6	247.9	13.8	237.1	13.5
	67	61	313.8	15.4	297.1	14.7	281.3	14.0	264.6	13.3	247.9	12.9	237.1	12.4
	72	66	313.8	14.0	297.1	13.4	281.3	12.9	264.6	12.5	247.9	11.9	237.1	11.5
75	69	313.8	13.3	297.1	12.7	281.3	12.5	264.6	12.0	247.9	11.4	237.1	11.0	
80	74	313.8	12.4	297.1	12.1	281.3	11.6	264.6	11.0	247.9	10.4	237.1	10.0	
60%	-22	-23	217.1	47.3	214.4	48.6	212.0	50.0	209.7	51.4	207.6	53.0	203.2	53.4
	-17	-18	261.8	52.5	254.6	52.8	241.1	51.7	226.8	50.4	212.5	49.1	203.2	48.2
	-13	-14	269.0	47.3	254.6	46.1	241.1	45.0	226.8	43.7	212.5	42.4	203.2	41.5
	-8	-9	269.0	44.0	254.6	42.6	241.1	41.4	226.8	40.0	212.5	38.5	203.2	37.6
	-3	-4	269.0	41.3	254.6	39.9	241.1	38.5	226.8	37.0	212.5	35.4	203.2	34.4
	2	1	269.0	38.9	254.6	37.3	241.1	35.8	226.8	34.2	212.5	32.5	203.2	31.3
	7	6	269.0	35.6	254.6	34.0	241.1	32.5	226.8	30.9	212.5	29.3	203.2	28.2
	12	10	269.0	33.1	254.6	31.5	241.1	30.1	226.8	28.5	212.5	27.1	203.2	26.2
	17	15	269.0	30.0	254.6	28.6	241.1	27.3	226.8	26.1	212.5	24.9	203.2	24.1
	22	20	269.0	27.3	254.6	26.2	241.1	25.2	226.8	24.0	212.5	22.9	203.2	22.2
	27	24	269.0	25.5	254.6	24.4	241.1	23.5	226.8	22.5	212.5	21.4	203.2	20.8
	32	29	269.0	23.5	254.6	22.5	241.1	21.6	226.8	20.7	212.5	19.7	203.2	19.1
	37	34	269.0	21.5	254.6	20.6	241.1	19.8	226.8	18.9	212.5	18.0	203.2	17.4
	42	38	269.0	20.0	254.6	19.2	241.1	18.4	226.8	17.6	212.5	16.8	203.2	16.2
	47	43	269.0	18.2	254.6	17.4	241.1	16.7	226.8	16.0	212.5	15.2	203.2	14.7
	52	47	269.0	16.8	254.6	16.2	241.1	15.5	226.8	14.8	212.5	14.1	203.2	13.8
	57	52	269.0	15.4	254.6	14.7	241.1	14.1	226.8	13.5	212.5	13.0	203.2	12.5
	62	56	269.0	14.2	254.6	13.6	241.1	13.2	226.8	12.7	212.5	12.0	203.2	11.6
	67	61	269.0	12.9	254.6	12.7	241.1	12.1	226.8	11.6	212.5	11.0	203.2	10.6
	72	66	269.0	12.1	254.6	11.6	241.1	11.2	226.8	10.7	212.5	10.2	203.2	9.9
75	69	269.0	11.6	254.6	11.1	241.1	10.7	226.8	10.3	212.5	9.9	203.2	9.6	
80	74	269.0	10.7	254.6	10.3	241.1	9.9	226.8	9.3	212.5	8.9	203.2	8.6	

NOTE - Power Input = Compressor + Outdoor Fan Motor.
 MBH = 1000 BTUs per hour.

HEATING CAPACITY - THREE MODULE | VPB336L4

Combination (%)	Outdoor Temperature (°F)		Indoor Temperature - °F Dry Bulb											
			61		64		67		70		73		75	
	Dry Bulb	Wet Bulb	Total Cap.	Power Input	Total Cap.	Power Input	Total Cap.	Power Input	Total Cap.	Power Input	Total Cap.	Power Input	Total Cap.	Power Input
50%	-22	-23	211.0	50.1	212.2	52.4	200.9	51.6	189.0	50.6	177.1	49.7	169.3	49.0
	-17	-18	224.1	48.4	212.2	47.5	200.9	46.5	189.0	45.5	177.1	44.4	169.3	43.7
	-13	-14	224.1	41.9	212.2	40.9	200.9	40.0	189.0	38.9	177.1	37.8	169.3	37.1
	-8	-9	224.1	38.3	212.2	37.2	200.9	36.2	189.0	35.0	177.1	33.8	169.3	32.7
	-3	-4	224.1	35.3	212.2	34.1	200.9	32.9	189.0	31.5	177.1	30.0	169.3	28.9
	2	1	224.1	32.6	212.2	31.2	200.9	30.0	189.0	28.5	177.1	27.0	169.3	26.0
	7	6	224.1	29.4	212.2	28.1	200.9	26.9	189.0	25.7	177.1	24.5	169.3	23.7
	12	10	224.1	27.1	212.2	26.1	200.9	25.0	189.0	24.0	177.1	22.9	169.3	22.2
	17	15	224.1	24.8	212.2	23.9	200.9	23.0	189.0	22.1	177.1	21.1	169.3	20.5
	22	20	224.1	22.9	212.2	22.0	200.9	21.2	189.0	20.4	177.1	19.6	169.3	19.0
	27	24	224.1	21.3	212.2	20.5	200.9	19.8	189.0	19.0	177.1	18.3	169.3	17.7
	32	29	224.1	19.6	212.2	18.9	200.9	18.2	189.0	17.5	177.1	16.8	169.3	16.3
	37	34	224.1	17.9	212.2	17.2	200.9	16.7	189.0	16.0	177.1	15.3	169.3	14.9
	42	38	224.1	16.6	212.2	16.1	200.9	15.5	189.0	14.8	177.1	14.2	169.3	13.9
	47	43	224.1	15.1	212.2	14.5	200.9	14.0	189.0	13.6	177.1	13.0	169.3	12.5
	52	47	224.1	14.0	212.2	13.4	200.9	13.1	189.0	12.6	177.1	11.9	169.3	11.6
	57	52	224.1	12.9	212.2	12.4	200.9	11.9	189.0	11.3	177.1	10.8	169.3	10.4
62	56	224.1	11.9	212.2	11.5	200.9	11.0	189.0	10.5	177.1	10.0	169.3	9.7	
67	61	224.1	10.9	212.2	10.5	200.9	10.1	189.0	9.7	177.1	9.3	169.3	9.0	
72	66	224.1	10.1	212.2	9.7	200.9	9.4	189.0	9.0	177.1	8.7	169.3	8.5	
75	69	224.1	9.7	212.2	9.4	200.9	9.1	189.0	8.8	177.1	8.5	169.3	8.3	
80	74	224.1	9.1	212.2	8.7	200.9	8.3	189.0	7.9	177.1	7.5	169.3	7.2	

NOTE - Power Input = Compressor + Outdoor Fan Motor.
 MBH = 1000 BTUs per hour.

COOLING CAPACITY - THREE MODULE | VPB360L4

Combination (%)	Outdoor Temperature °F (Dry Bulb)	Indoor Temperature - °F (Dry Bulb / Wet Bulb)											
		67 / 57		71 / 60		75 / 63		80 / 67		85 / 71		90 / 75	
		Total Cap.	Power Input	Total Cap.	Power Input	Total Cap.	Power Input	Total Cap.	Power Input	Total Cap.	Power Input	Total Cap.	Power Input
		MBH	KW	MBH	KW	MBH	KW	MBH	KW	MBH	KW	MBH	KW
130%	-10	275.9	10.6	335.3	13.0	391.2	15.4	468.0	18.7	548.3	22.5	602.8	25.3
	-5	275.9	11.3	335.3	13.8	391.2	16.3	468.0	19.9	548.3	23.9	571.2	25.5
	10	275.9	11.5	335.3	14.1	391.2	16.7	468.0	20.4	548.3	24.4	560.1	25.5
	15	275.9	11.8	335.3	14.5	391.2	17.1	468.0	20.8	540.5	24.6	547.7	25.5
	20	275.9	12.0	335.3	14.8	391.2	17.4	468.0	21.3	528.1	24.5	535.3	25.5
	25	275.9	12.3	335.3	15.1	391.2	17.8	468.0	21.7	515.1	24.5	522.3	25.4
	30	275.9	12.6	335.3	15.5	391.2	18.3	468.0	22.2	502.7	24.4	509.9	25.4
	35	275.9	12.9	335.3	15.8	391.2	18.7	468.0	22.8	490.9	24.4	498.1	25.4
	40	275.9	13.2	335.3	16.2	391.2	19.1	468.0	23.3	483.3	24.6	490.5	25.6
	45	275.9	13.5	335.3	16.6	391.2	19.6	468.0	23.9	480.2	25.1	487.4	26.1
	50	275.9	13.9	335.3	17.1	391.2	20.1	468.0	24.5	477.8	25.6	485.0	26.6
	55	275.9	14.2	335.3	17.5	391.2	20.7	468.0	25.2	476.0	26.2	483.2	27.2
	60	275.9	14.6	335.3	18.0	391.2	21.2	468.0	25.9	476.7	27.0	481.7	27.9
	65	275.9	15.0	335.3	18.5	391.2	21.8	468.0	26.6	471.2	27.4	480.2	28.6
	70	275.9	16.4	335.3	20.1	391.2	23.7	468.0	28.9	469.3	29.7	478.3	31.0
	75	275.9	18.0	335.3	22.1	391.2	26.1	459.1	31.2	466.3	32.4	475.3	33.8
	80	275.9	19.7	335.3	24.2	391.2	28.6	454.5	33.9	461.7	35.2	470.6	36.7
	85	275.9	21.6	335.3	26.6	391.2	31.4	447.5	36.6	454.7	38.0	463.4	39.7
	90	275.9	23.7	335.3	29.1	391.2	34.4	437.2	39.2	444.4	40.7	452.9	42.5
	95	275.9	25.9	335.3	31.8	391.2	37.6	398.9	39.0	406.1	40.6	413.3	42.3
	100	275.9	28.1	335.3	34.6	372.4	38.9	379.6	40.4	386.8	42.1	394.2	43.9
	105	275.9	30.4	335.3	37.3	344.3	38.8	351.5	40.4	361.9	42.5	368.9	44.4
	110	275.9	32.5	301.2	35.9	308.4	37.2	320.3	39.4	329.8	41.4	336.1	43.2
115	254.0	31.7	261.2	32.9	270.3	34.5	280.7	36.5	289.1	38.4	294.6	40.1	
118	224.6	28.8	234.5	30.4	242.7	31.8	252.0	33.7	259.5	35.5	264.5	37.0	
125	152.5	20.4	159.2	21.5	164.7	22.5	171.0	23.9	176.1	25.1	179.5	26.2	
120%	-10	254.7	9.6	309.5	11.8	361.1	14.0	432.0	17.0	506.1	20.4	577.1	23.8
	-5	254.7	10.2	309.5	12.6	361.1	14.9	432.0	18.1	506.1	21.7	561.5	24.6
	10	254.7	10.5	309.5	12.9	361.1	15.2	432.0	18.5	506.1	22.2	550.5	24.7
	15	254.7	10.7	309.5	13.1	361.1	15.5	432.0	18.9	506.1	22.6	538.2	24.7
	20	254.7	10.9	309.5	13.4	361.1	15.8	432.0	19.3	506.1	23.1	525.9	24.6
	25	254.7	11.2	309.5	13.7	361.1	16.2	432.0	19.8	506.1	23.7	513.0	24.6
	30	254.7	11.4	309.5	14.1	361.1	16.6	432.0	20.2	493.5	23.6	500.7	24.5
	35	254.7	11.7	309.5	14.4	361.1	17.0	432.0	20.7	481.7	23.6	488.9	24.5
	40	254.7	12.0	309.5	14.7	361.1	17.4	432.0	21.2	474.1	23.8	481.3	24.7
	45	254.7	12.3	309.5	15.1	361.1	17.8	432.0	21.7	471.0	24.2	478.2	25.2
	50	254.7	12.6	309.5	15.5	361.1	18.3	432.0	22.3	468.7	24.7	475.9	25.7
	55	254.7	12.9	309.5	15.9	361.1	18.8	432.0	22.9	466.9	25.3	474.1	26.3
	60	254.7	13.3	309.5	16.3	361.1	19.3	432.0	23.5	467.2	26.0	472.7	26.9
	65	254.7	13.7	309.5	16.8	361.1	19.8	432.0	24.2	462.3	26.4	471.2	27.6
	70	254.7	14.9	309.5	18.3	361.1	21.6	432.0	26.3	460.4	28.7	469.2	29.9
	75	254.7	16.3	309.5	20.1	361.1	23.7	432.0	28.9	457.5	31.3	466.3	32.6
	80	254.7	17.9	309.5	22.0	361.1	26.0	432.0	31.7	453.0	34.0	461.7	35.5
	85	254.7	19.7	309.5	24.2	361.1	28.5	432.0	34.8	446.1	36.7	454.7	38.3
	90	254.7	21.5	309.5	26.5	361.1	31.3	432.0	38.1	436.0	39.3	444.3	41.0
	95	254.7	23.5	309.5	28.9	361.1	34.1	398.9	38.4	406.1	40.0	413.3	41.7
	100	254.7	25.6	309.5	31.4	361.1	37.1	379.6	39.7	386.8	41.4	394.2	43.2
	105	254.7	27.6	309.5	33.9	344.3	38.2	351.5	39.7	361.9	41.8	368.9	43.7
	110	254.7	29.5	301.2	35.3	308.4	36.6	320.3	38.7	329.8	40.8	336.1	42.6
115	254.7	31.3	261.2	32.4	270.3	34.0	280.7	35.9	289.1	37.8	294.6	39.5	
118	224.6	28.3	234.5	29.9	242.7	31.3	252.0	33.2	259.5	34.9	264.5	36.4	
125	152.5	20.1	159.2	21.2	164.7	22.2	171.0	23.5	176.1	24.7	179.5	25.8	

NOTE - Power Input = Compressor + Outdoor Fan Motor.
MBH = 1000 BTUs per hour.

COOLING CAPACITY - THREE MODULE | VPB360L4

Combination (%)	Outdoor Temperature °F (Dry Bulb)	Indoor Temperature - °F (Dry Bulb / Wet Bulb)											
		67 / 57		71 / 60		75 / 63		80 / 67		85 / 71		90 / 75	
		Total Cap.	Power Input	Total Cap.	Power Input	Total Cap.	Power Input	Total Cap.	Power Input	Total Cap.	Power Input	Total Cap.	Power Input
		MBH	kW	MBH	kW	MBH	kW	MBH	kW	MBH	kW	MBH	kW
110%	-10	233.5	8.7	283.7	10.7	331.0	12.6	396.0	15.4	464.0	18.4	529.0	21.5
	-5	233.5	9.2	283.7	11.4	331.0	13.4	396.0	16.3	464.0	19.6	529.0	22.9
	10	233.5	9.4	283.7	11.6	331.0	13.7	396.0	16.7	464.0	20.0	529.0	23.4
	15	233.5	9.6	283.7	11.9	331.0	14.0	396.0	17.1	464.0	20.4	528.8	23.9
	20	233.5	9.9	283.7	12.1	331.0	14.3	396.0	17.4	464.0	20.9	516.5	23.8
	25	233.5	10.1	283.7	12.4	331.0	14.6	396.0	17.8	464.0	21.4	503.7	23.8
	30	233.5	10.3	283.7	12.7	331.0	15.0	396.0	18.3	464.0	21.9	491.5	23.7
	35	233.5	10.6	283.7	13.0	331.0	15.3	396.0	18.7	464.0	22.4	479.8	23.7
	40	233.5	10.8	283.7	13.3	331.0	15.7	396.0	19.1	464.0	22.9	472.0	23.9
	45	233.5	11.1	283.7	13.6	331.0	16.1	396.0	19.6	464.0	23.5	469.0	24.3
	50	233.5	11.4	283.7	14.0	331.0	16.5	396.0	20.1	464.0	24.1	466.7	24.9
	55	233.5	11.7	283.7	14.4	331.0	17.0	396.0	20.7	464.0	24.8	465.0	25.4
	60	233.5	12.0	283.7	14.8	331.0	17.4	396.0	21.2	457.7	25.1	463.6	26.0
	65	233.5	12.3	283.7	15.2	331.0	17.9	396.0	21.8	453.4	25.5	462.1	26.7
	70	233.5	13.4	283.7	16.5	331.0	19.5	396.0	23.7	451.6	27.7	460.2	28.9
	75	233.5	14.7	283.7	18.1	331.0	21.4	396.0	26.1	448.7	30.2	457.3	31.5
	80	233.5	16.2	283.7	19.9	331.0	23.5	396.0	28.6	444.3	32.8	452.8	34.3
	85	233.5	17.7	283.7	21.8	331.0	25.8	396.0	31.4	437.5	35.5	445.9	37.0
	90	233.5	19.4	283.7	23.9	331.0	28.2	396.0	34.4	427.6	38.0	435.8	39.6
	95	233.5	21.2	283.7	26.1	331.0	30.8	396.0	37.6	406.1	39.4	413.3	41.0
	100	233.5	23.1	283.7	28.4	331.0	33.5	385.5	39.8	386.8	40.8	394.2	42.6
105	233.5	24.9	283.7	30.6	331.0	36.2	351.5	39.1	361.9	41.2	368.9	43.0	
110	233.5	26.7	283.7	32.8	308.4	36.1	320.3	38.2	329.8	40.2	336.1	41.9	
115	233.5	28.2	261.2	31.9	270.3	33.4	280.7	35.4	289.1	37.3	294.6	38.9	
118	224.6	27.9	234.5	29.5	242.7	30.9	252.0	32.7	259.5	34.4	264.5	35.9	
125	152.5	19.8	159.2	20.9	164.7	21.9	171.0	23.1	176.1	24.3	179.5	25.4	
100%	-10	212.2	7.8	257.9	9.6	300.9	11.3	360.0	13.8	421.8	16.5	480.9	19.3
	-5	212.2	8.3	257.9	10.2	300.9	12.0	360.0	14.6	421.8	17.5	480.9	20.5
	10	212.2	8.5	257.9	10.4	300.9	12.3	360.0	15.0	421.8	17.9	480.9	20.9
	15	212.2	8.6	257.9	10.6	300.9	12.5	360.0	15.3	421.8	18.3	480.9	21.4
	20	212.2	8.8	257.9	10.8	300.9	12.8	360.0	15.6	421.8	18.7	480.4	21.8
	25	212.2	9.0	257.9	11.1	300.9	13.1	360.0	16.0	421.8	19.1	475.4	22.1
	30	212.2	9.2	257.9	11.4	300.9	13.4	360.0	16.3	421.8	19.6	470.7	22.4
	35	212.2	9.5	257.9	11.6	300.9	13.7	360.0	16.7	421.8	20.0	466.4	22.7
	40	212.2	9.7	257.9	11.9	300.9	14.1	360.0	17.1	421.8	20.5	462.8	23.1
	45	212.2	9.9	257.9	12.2	300.9	14.4	360.0	17.6	421.8	21.1	459.8	23.5
	50	212.2	10.2	257.9	12.5	300.9	14.8	360.0	18.0	421.8	21.6	457.6	24.0
	55	212.2	10.5	257.9	12.9	300.9	15.2	360.0	18.5	421.8	22.2	455.9	24.5
	60	212.2	10.7	257.9	13.2	300.9	15.6	360.0	19.0	421.8	22.8	454.5	25.1
	65	212.2	11.0	257.9	13.6	300.9	16.0	360.0	19.5	421.8	23.4	453.1	25.8
	70	212.2	12.0	257.9	14.8	300.9	17.4	360.0	21.3	421.8	25.5	451.2	27.9
	75	212.2	13.2	257.9	16.2	300.9	19.1	360.0	23.3	421.8	27.9	448.4	30.4
	80	212.2	14.5	257.9	17.8	300.9	21.0	360.0	25.6	421.8	30.7	443.9	33.1
	85	212.2	15.9	257.9	19.5	300.9	23.1	360.0	28.1	421.8	33.7	437.2	35.7
	90	212.2	17.4	257.9	21.4	300.9	25.3	360.0	30.8	419.2	36.7	427.3	38.3
	95	212.2	19.0	257.9	23.4	300.9	27.6	360.0	33.6	405.5	38.7	413.3	40.4
	100	212.2	20.7	257.9	25.4	300.9	30.0	360.0	36.6	386.8	40.2	394.2	41.9
105	212.2	22.3	257.9	27.4	300.9	32.4	351.5	38.5	361.9	40.6	368.9	42.4	
110	212.2	23.9	257.9	29.4	300.9	34.7	320.3	37.6	329.8	39.6	336.1	41.3	
115	212.2	25.3	257.9	31.1	270.3	32.9	280.7	34.9	289.1	36.7	294.6	38.3	
118	212.2	26.0	234.5	29.0	242.7	30.4	252.0	32.2	259.5	33.9	264.5	35.4	
125	152.5	19.5	159.2	20.6	164.7	21.5	171.0	22.8	176.1	24.0	179.5	25.0	

NOTE - Power Input = Compressor + Outdoor Fan Motor.
 MBH = 1000 BTUs per hour.

COOLING CAPACITY - THREE MODULE | VPB360L4

Combination (%)	Outdoor Temperature °F (Dry Bulb)	Indoor Temperature - °F (Dry Bulb / Wet Bulb)											
		67 / 57		71 / 60		75 / 63		80 / 67		85 / 71		90 / 75	
		Total Cap.	Power Input	Total Cap.	Power Input	Total Cap.	Power Input	Total Cap.	Power Input	Total Cap.	Power Input	Total Cap.	Power Input
		MBH	KW	MBH	KW	MBH	KW	MBH	KW	MBH	KW	MBH	KW
90%	-10	191.0	6.9	232.1	8.5	270.8	10.0	324.0	12.2	379.6	14.6	432.8	17.1
	-5	191.0	7.3	232.1	9.0	270.8	10.6	324.0	13.0	379.6	15.5	432.8	18.2
	10	191.0	7.5	232.1	9.2	270.8	10.9	324.0	13.3	379.6	15.9	432.8	18.5
	15	191.0	7.7	232.1	9.4	270.8	11.1	324.0	13.5	379.6	16.2	432.8	19.0
	20	191.0	7.8	232.1	9.6	270.8	11.4	324.0	13.8	379.6	16.6	432.8	19.4
	25	191.0	8.0	232.1	9.8	270.8	11.6	324.0	14.2	379.6	17.0	432.8	19.8
	30	191.0	8.2	232.1	10.1	270.8	11.9	324.0	14.5	379.6	17.4	432.8	20.3
	35	191.0	8.4	232.1	10.3	270.8	12.2	324.0	14.8	379.6	17.8	432.8	20.8
	40	191.0	8.6	232.1	10.6	270.8	12.5	324.0	15.2	379.6	18.2	432.8	21.3
	45	191.0	8.8	232.1	10.8	270.8	12.8	324.0	15.6	379.6	18.7	432.8	21.8
	50	191.0	9.0	232.1	11.1	270.8	13.1	324.0	16.0	379.6	19.2	432.8	22.4
	55	191.0	9.3	232.1	11.4	270.8	13.5	324.0	16.4	379.6	19.7	432.8	23.0
	60	191.0	9.5	232.1	11.7	270.8	13.8	324.0	16.9	379.6	20.2	432.8	23.6
	65	191.0	9.8	232.1	12.0	270.8	14.2	324.0	17.3	379.6	20.8	432.8	24.2
	70	191.0	10.7	232.1	13.1	270.8	15.5	324.0	18.8	379.6	22.6	432.8	26.4
	75	191.0	11.7	232.1	14.4	270.8	17.0	324.0	20.7	379.6	24.8	432.8	28.9
	80	191.0	12.8	232.1	15.8	270.8	18.6	324.0	22.7	379.6	27.2	432.8	31.8
	85	191.0	14.1	232.1	17.3	270.8	20.5	324.0	24.9	379.6	29.9	428.4	34.5
	90	191.0	15.4	232.1	19.0	270.8	22.4	324.0	27.3	379.6	32.7	418.7	37.0
	95	191.0	16.9	232.1	20.7	270.8	24.5	324.0	29.8	379.6	35.7	413.3	39.8
	100	191.0	18.3	232.1	22.5	270.8	26.6	324.0	32.4	379.0	38.8	394.2	41.3
	105	191.0	19.8	232.1	24.3	270.8	28.7	324.0	35.0	361.9	40.0	368.9	41.7
110	191.0	21.2	232.1	26.0	270.8	30.7	320.3	37.0	329.8	39.0	336.1	40.7	
115	191.0	22.4	232.1	27.5	270.3	32.5	280.7	34.3	289.1	36.2	294.6	37.7	
118	191.0	23.0	232.1	28.3	242.7	30.0	252.0	31.7	259.5	33.4	264.5	34.8	
125	152.5	19.2	159.2	20.3	164.7	21.2	171.0	22.4	176.1	23.6	179.5	24.7	
80%	-10	169.8	6.0	206.3	7.4	240.7	8.8	288.0	10.7	337.4	12.8	384.7	15.0
	-5	169.8	6.4	206.3	7.9	240.7	9.3	288.0	11.4	337.4	13.6	384.7	15.9
	10	169.8	6.6	206.3	8.1	240.7	9.5	288.0	11.6	337.4	13.9	384.7	16.2
	15	169.8	6.7	206.3	8.2	240.7	9.7	288.0	11.9	337.4	14.2	384.7	16.6
	20	169.8	6.9	206.3	8.4	240.7	9.9	288.0	12.1	337.4	14.5	384.7	17.0
	25	169.8	7.0	206.3	8.6	240.7	10.2	288.0	12.4	337.4	14.9	384.7	17.4
	30	169.8	7.2	206.3	8.8	240.7	10.4	288.0	12.7	337.4	15.2	384.7	17.8
	35	169.8	7.3	206.3	9.0	240.7	10.7	288.0	13.0	337.4	15.6	384.7	18.2
	40	169.8	7.5	206.3	9.3	240.7	10.9	288.0	13.3	337.4	16.0	384.7	18.6
	45	169.8	7.7	206.3	9.5	240.7	11.2	288.0	13.7	337.4	16.4	384.7	19.1
	50	169.8	7.9	206.3	9.7	240.7	11.5	288.0	14.0	337.4	16.8	384.7	19.6
	55	169.8	8.1	206.3	10.0	240.7	11.8	288.0	14.4	337.4	17.2	384.7	20.1
	60	169.8	8.3	206.3	10.3	240.7	12.1	288.0	14.8	337.4	17.7	384.7	20.7
	65	169.8	8.6	206.3	10.5	240.7	12.5	288.0	15.2	337.4	18.2	384.7	21.2
	70	169.8	9.3	206.3	11.5	240.7	13.5	288.0	16.5	337.4	19.8	384.7	23.1
	75	169.8	10.2	206.3	12.6	240.7	14.9	288.0	18.1	337.4	21.7	384.7	25.3
	80	169.8	11.2	206.3	13.8	240.7	16.3	288.0	19.9	337.4	23.8	384.7	27.8
	85	169.8	12.3	206.3	15.2	240.7	17.9	288.0	21.8	337.4	26.2	384.7	30.5
	90	169.8	13.5	206.3	16.6	240.7	19.6	288.0	23.9	337.4	28.7	384.7	33.5
	95	169.8	14.8	206.3	18.2	240.7	21.4	288.0	26.1	337.4	31.3	384.7	36.5
	100	169.8	16.1	206.3	19.7	240.7	23.3	288.0	28.4	337.4	34.0	384.7	39.7
	105	169.8	17.3	206.3	21.3	240.7	25.2	288.0	30.7	337.4	36.7	368.9	41.1
110	169.8	18.5	206.3	22.8	240.7	26.9	288.0	32.8	329.8	38.4	336.1	40.1	
115	169.8	19.6	206.3	24.1	240.7	28.5	280.7	33.8	289.1	35.6	294.6	37.2	
118	169.8	20.2	206.3	24.8	240.7	29.3	252.0	31.2	259.5	32.9	264.5	34.3	
125	152.5	18.9	159.2	20.0	164.7	20.9	171.0	22.1	176.1	23.3	179.5	24.3	

NOTE - Power Input = Compressor + Outdoor Fan Motor.
 MBH = 1000 BTUs per hour.

COOLING CAPACITY - THREE MODULE | VPB360L4

Combination (%)	Outdoor Temperature °F (Dry Bulb)	Indoor Temperature - °F (Dry Bulb / Wet Bulb)											
		67 / 57		71 / 60		75 / 63		80 / 67		85 / 71		90 / 75	
		Total Cap.	Power Input	Total Cap.	Power Input	Total Cap.	Power Input	Total Cap.	Power Input	Total Cap.	Power Input	Total Cap.	Power Input
		MBH	kW	MBH	kW	MBH	kW	MBH	kW	MBH	kW	MBH	kW
70%	-10	148.6	5.2	180.5	6.4	210.6	7.6	252.0	9.2	295.3	11.0	336.6	12.9
	-5	148.6	5.5	180.5	6.8	210.6	8.0	252.0	9.8	295.3	11.7	336.6	13.7
	10	148.6	5.7	180.5	7.0	210.6	8.2	252.0	10.0	295.3	12.0	336.6	14.0
	15	148.6	5.8	180.5	7.1	210.6	8.4	252.0	10.2	295.3	12.3	336.6	14.3
	20	148.6	5.9	180.5	7.3	210.6	8.6	252.0	10.5	295.3	12.5	336.6	14.6
	25	148.6	6.0	180.5	7.4	210.6	8.8	252.0	10.7	295.3	12.8	336.6	15.0
	30	148.6	6.2	180.5	7.6	210.6	9.0	252.0	10.9	295.3	13.1	336.6	15.3
	35	148.6	6.3	180.5	7.8	210.6	9.2	252.0	11.2	295.3	13.4	336.6	15.7
	40	148.6	6.5	180.5	8.0	210.6	9.4	252.0	11.5	295.3	13.8	336.6	16.1
	45	148.6	6.7	180.5	8.2	210.6	9.7	252.0	11.8	295.3	14.1	336.6	16.5
	50	148.6	6.8	180.5	8.4	210.6	9.9	252.0	12.1	295.3	14.5	336.6	16.9
	55	148.6	7.0	180.5	8.6	210.6	10.2	252.0	12.4	295.3	14.8	336.6	17.3
	60	148.6	7.2	180.5	8.8	210.6	10.4	252.0	12.7	295.3	15.3	336.6	17.8
	65	148.6	7.4	180.5	9.1	210.6	10.7	252.0	13.1	295.3	15.7	336.6	18.3
	70	148.6	8.0	180.5	9.9	210.6	11.7	252.0	14.2	295.3	17.1	336.6	19.9
	75	148.6	8.8	180.5	10.9	210.6	12.8	252.0	15.6	295.3	18.7	336.6	21.9
	80	148.6	9.7	180.5	11.9	210.6	14.1	252.0	17.2	295.3	20.6	336.6	24.0
	85	148.6	10.6	180.5	13.1	210.6	15.4	252.0	18.8	295.3	22.6	336.6	26.3
	90	148.6	11.7	180.5	14.3	210.6	16.9	252.0	20.6	295.3	24.7	336.6	28.9
	95	148.6	12.7	180.5	15.7	210.6	18.5	252.0	22.5	295.3	27.0	336.6	31.5
100	148.6	13.8	180.5	17.0	210.6	20.1	252.0	24.5	295.3	29.3	336.6	34.3	
105	148.6	15.0	180.5	18.4	210.6	21.7	252.0	26.4	295.3	31.7	336.6	37.0	
110	148.6	16.0	180.5	19.7	210.6	23.2	252.0	28.3	295.3	33.9	336.1	39.5	
115	148.6	16.9	180.5	20.8	210.6	24.6	252.0	29.9	289.1	35.1	294.6	36.7	
118	148.6	17.4	180.5	21.4	210.6	25.3	252.0	30.8	259.5	32.4	264.5	33.8	
125	143.3	17.5	159.2	19.7	164.7	20.6	171.0	21.8	176.1	22.9	179.5	24.0	
60%	-10	127.3	4.4	154.7	5.4	180.5	6.4	216.0	7.8	253.1	9.3	288.5	10.9
	-5	127.3	4.7	154.7	5.8	180.5	6.8	216.0	8.3	253.1	9.9	288.5	11.6
	10	127.3	4.8	154.7	5.9	180.5	6.9	216.0	8.5	253.1	10.1	288.5	11.8
	15	127.3	4.9	154.7	6.0	180.5	7.1	216.0	8.6	253.1	10.4	288.5	12.1
	20	127.3	5.0	154.7	6.1	180.5	7.2	216.0	8.8	253.1	10.6	288.5	12.4
	25	127.3	5.1	154.7	6.3	180.5	7.4	216.0	9.0	253.1	10.8	288.5	12.6
	30	127.3	5.2	154.7	6.4	180.5	7.6	216.0	9.3	253.1	11.1	288.5	12.9
	35	127.3	5.4	154.7	6.6	180.5	7.8	216.0	9.5	253.1	11.3	288.5	13.3
	40	127.3	5.5	154.7	6.7	180.5	8.0	216.0	9.7	253.1	11.6	288.5	13.6
	45	127.3	5.6	154.7	6.9	180.5	8.2	216.0	9.9	253.1	11.9	288.5	13.9
	50	127.3	5.8	154.7	7.1	180.5	8.4	216.0	10.2	253.1	12.2	288.5	14.3
	55	127.3	5.9	154.7	7.3	180.5	8.6	216.0	10.5	253.1	12.5	288.5	14.7
	60	127.3	6.1	154.7	7.5	180.5	8.8	216.0	10.8	253.1	12.9	288.5	15.1
	65	127.3	6.3	154.7	7.7	180.5	9.1	216.0	11.1	253.1	13.2	288.5	15.5
	70	127.3	6.8	154.7	8.4	180.5	9.9	216.0	12.0	253.1	14.4	288.5	16.8
	75	127.3	7.5	154.7	9.2	180.5	10.8	216.0	13.2	253.1	15.8	288.5	18.5
	80	127.3	8.2	154.7	10.1	180.5	11.9	216.0	14.5	253.1	17.4	288.5	20.3
	85	127.3	9.0	154.7	11.1	180.5	13.1	216.0	15.9	253.1	19.1	288.5	22.3
	90	127.3	9.9	154.7	12.1	180.5	14.3	216.0	17.4	253.1	20.9	288.5	24.4
	95	127.3	10.8	154.7	13.2	180.5	15.6	216.0	19.0	253.1	22.8	288.5	26.6
100	127.3	11.7	154.7	14.4	180.5	17.0	216.0	20.7	253.1	24.8	288.5	28.9	
105	127.3	12.6	154.7	15.5	180.5	18.3	216.0	22.3	253.1	26.8	288.5	31.3	
110	127.3	13.5	154.7	16.6	180.5	19.6	216.0	23.9	253.1	28.6	288.5	33.4	
115	127.3	14.3	154.7	17.6	180.5	20.8	216.0	25.3	253.1	30.3	288.5	35.4	
118	127.3	14.7	154.7	18.1	180.5	21.3	216.0	26.0	253.1	31.2	264.5	33.4	
125	127.3	15.3	154.7	18.9	164.7	20.3	171.0	21.5	176.1	22.6	179.5	23.6	

NOTE - Power Input = Compressor + Outdoor Fan Motor.
 MBH = 1000 BTUs per hour.

COOLING CAPACITY - THREE MODULE | VPB360L4

Combination (%)	Outdoor Temperature °F (Dry Bulb)	Indoor Temperature - °F (Dry Bulb / Wet Bulb)											
		67 / 57		71 / 60		75 / 63		80 / 67		85 / 71		90 / 75	
		Total Cap.	Power Input	Total Cap.	Power Input	Total Cap.	Power Input	Total Cap.	Power Input	Total Cap.	Power Input	Total Cap.	Power Input
		MBH	KW	MBH	KW	MBH	KW	MBH	KW	MBH	KW	MBH	KW
50%	-10	97.9	3.3	129.0	4.5	150.4	5.3	180.0	6.4	210.9	7.7	240.4	9.0
	-5	106.1	3.8	129.0	4.7	150.4	5.6	180.0	6.8	210.9	8.2	240.4	9.5
	10	106.1	3.9	129.0	4.8	150.4	5.7	180.0	7.0	210.9	8.3	240.4	9.7
	15	106.1	4.0	129.0	4.9	150.4	5.8	180.0	7.1	210.9	8.5	240.4	9.9
	20	106.1	4.1	129.0	5.0	150.4	6.0	180.0	7.3	210.9	8.7	240.4	10.2
	25	106.1	4.2	129.0	5.2	150.4	6.1	180.0	7.4	210.9	8.9	240.4	10.4
	30	106.1	4.3	129.0	5.3	150.4	6.2	180.0	7.6	210.9	9.1	240.4	10.6
	35	106.1	4.4	129.0	5.4	150.4	6.4	180.0	7.8	210.9	9.3	240.4	10.9
	40	106.1	4.5	129.0	5.5	150.4	6.5	180.0	8.0	210.9	9.6	240.4	11.2
	45	106.1	4.6	129.0	5.7	150.4	6.7	180.0	8.2	210.9	9.8	240.4	11.4
	50	106.1	4.7	129.0	5.8	150.4	6.9	180.0	8.4	210.9	10.0	240.4	11.7
	55	106.1	4.9	129.0	6.0	150.4	7.1	180.0	8.6	210.9	10.3	240.4	12.0
	60	106.1	5.0	129.0	6.1	150.4	7.3	180.0	8.8	210.9	10.6	240.4	12.4
	65	106.1	5.1	129.0	6.3	150.4	7.5	180.0	9.1	210.9	10.9	240.4	12.7
	70	106.1	5.6	129.0	6.9	150.4	8.1	180.0	9.9	210.9	11.8	240.4	13.8
	75	106.1	6.1	129.0	7.5	150.4	8.9	180.0	10.9	210.9	13.0	240.4	15.2
	80	106.1	6.7	129.0	8.3	150.4	9.8	180.0	11.9	210.9	14.3	240.4	16.7
	85	106.1	7.4	129.0	9.1	150.4	10.7	180.0	13.1	210.9	15.7	240.4	18.3
	90	106.1	8.1	129.0	10.0	150.4	11.8	180.0	14.3	210.9	17.2	240.4	20.0
	95	106.1	8.8	129.0	10.9	150.4	12.8	180.0	15.6	210.9	18.7	240.4	21.9
100	106.1	9.6	129.0	11.8	150.4	14.0	180.0	17.0	210.9	20.4	240.4	23.8	
105	106.1	10.4	129.0	12.8	150.4	15.1	180.0	18.4	210.9	22.0	240.4	25.7	
110	106.1	11.1	129.0	13.7	150.4	16.1	180.0	19.6	210.9	23.5	240.4	27.5	
115	106.1	11.8	129.0	14.4	150.4	17.1	180.0	20.8	210.9	24.9	240.4	29.1	
118	106.1	12.1	129.0	14.9	150.4	17.5	180.0	21.4	210.9	25.6	240.4	29.9	
125	106.1	12.6	129.0	15.5	150.4	18.3	171.0	21.2	176.1	22.3	179.5	23.3	

NOTE - Power Input = Compressor + Outdoor Fan Motor.
 MBH = 1000 BTUs per hour.

HEATING CAPACITY - THREE MODULE | VPB360L4

Combination (%)	Outdoor Temperature (°F)		Indoor Temperature - °F Dry Bulb											
			61		64		67		70		73		75	
	Dry Bulb	Wet Bulb	Total Cap. MBH	Power Input kW	Total Cap. MBH	Power Input kW	Total Cap. MBH	Power Input kW	Total Cap. MBH	Power Input kW	Total Cap. MBH	Power Input kW	Total Cap. MBH	Power Input kW
130%	-22	-23	263.9	44.5	258.6	45.7	253.9	47.0	249.4	48.4	245.2	49.8	242.7	50.8
	-17	-18	315.2	48.9	309.6	50.2	304.8	51.4	300.1	52.8	295.8	54.3	293.3	55.3
	-13	-14	353.4	53.0	352.2	54.7	351.2	56.3	350.2	58.1	349.3	59.9	348.7	61.1
	-8	-9	375.7	54.9	376.1	56.7	376.5	58.5	376.8	60.4	377.0	62.4	377.2	63.7
	-3	-4	392.3	56.1	392.7	57.9	393.1	59.7	393.3	61.7	393.5	63.7	393.6	65.0
	2	1	410.1	56.8	410.2	58.7	410.1	60.5	410.0	62.4	409.7	64.4	409.6	65.7
	7	6	428.3	57.1	427.7	58.9	427.1	60.6	426.4	62.5	425.6	64.5	425.1	65.8
	12	10	444.8	57.4	443.8	59.2	442.8	61.0	441.6	62.8	440.5	64.8	439.7	66.1
	17	15	468.2	58.2	466.7	59.9	465.2	61.6	463.5	63.5	461.8	65.4	460.7	66.7
	22	20	493.1	59.1	491.0	60.8	489.0	62.5	486.9	64.4	493.2	67.3	471.7	63.2
	27	24	515.7	60.0	513.2	61.7	510.9	63.4	508.3	65.3	493.2	62.5	471.7	58.4
	32	29	543.8	61.2	540.8	63.0	538.1	64.7	526.5	62.7	493.2	56.6	471.7	52.7
	37	34	574.4	62.7	571.0	64.5	559.8	62.4	526.5	56.4	493.2	50.6	471.7	47.8
	42	38	599.4	64.1	591.1	62.8	559.8	57.2	526.5	51.4	493.2	47.1	471.7	44.5
	47	43	624.4	61.8	591.1	56.1	559.8	50.8	526.5	46.8	493.2	42.9	471.7	40.5
	52	47	624.4	56.5	591.1	51.0	559.8	47.2	526.5	43.5	493.2	39.9	471.7	37.6
	57	52	624.4	50.1	591.1	46.4	559.8	43.0	526.5	39.6	493.2	36.3	471.7	34.2
	62	56	624.4	46.6	591.1	43.2	559.8	40.0	526.5	36.7	493.2	33.6	471.7	31.7
	67	61	624.4	42.5	591.1	39.2	559.8	36.3	526.5	33.2	493.2	30.6	471.7	29.0
	72	66	624.4	38.5	591.1	35.5	559.8	32.7	526.5	30.2	493.2	27.9	471.7	26.4
75	69	624.4	36.3	591.1	33.3	559.8	30.8	526.5	28.5	493.2	26.3	471.7	25.0	
80	74	624.4	32.6	591.1	30.2	559.8	28.1	526.5	26.0	493.2	24.0	471.7	22.8	
120%	-22	-23	260.6	45.1	255.5	46.4	251.0	47.6	246.7	49.0	242.7	50.5	240.3	51.5
	-17	-18	310.6	49.6	305.4	50.9	300.8	52.2	296.4	53.6	292.3	55.1	289.9	56.0
	-13	-14	351.2	54.0	350.1	55.7	349.1	57.4	348.1	59.2	347.3	61.0	346.8	62.3
	-8	-9	374.5	56.1	374.9	58.0	375.2	59.8	375.5	61.7	375.7	63.8	375.8	65.1
	-3	-4	391.1	57.3	391.5	59.2	391.8	61.1	392.0	63.1	392.1	65.1	392.2	66.5
	2	1	408.7	58.1	408.7	60.0	408.5	61.8	408.3	63.8	408.1	65.9	407.1	67.0
	7	6	426.4	58.4	425.8	60.3	425.1	62.0	424.4	64.0	423.6	66.0	421.8	67.0
	12	10	442.5	58.8	441.5	60.6	440.4	62.4	439.3	64.3	438.1	66.3	435.4	66.2
	17	15	465.5	59.6	463.9	61.4	462.3	63.1	460.7	65.1	455.3	64.9	435.4	61.1
	22	20	489.8	60.6	487.7	62.4	485.7	64.1	486.0	65.4	455.3	59.6	435.4	55.9
	27	24	512.0	61.5	509.5	63.3	516.7	66.2	486.0	60.5	455.3	54.9	435.4	51.3
	32	29	539.5	62.9	545.6	65.5	516.7	60.3	486.0	54.7	455.3	49.6	435.4	47.0
	37	34	576.3	64.5	545.6	59.1	516.7	54.0	486.0	49.1	455.3	45.3	435.4	42.8
	42	38	576.3	59.3	545.6	54.1	516.7	49.4	486.0	45.7	455.3	42.0	435.4	39.8
	47	43	576.3	52.8	545.6	48.4	516.7	45.0	486.0	41.6	455.3	38.3	435.4	36.2
	52	47	576.3	48.4	545.6	45.0	516.7	41.9	486.0	38.7	455.3	35.5	435.4	33.6
	57	52	576.3	44.2	545.6	40.9	516.7	38.1	486.0	35.1	455.3	32.3	435.4	30.7
	62	56	576.3	40.9	545.6	38.0	516.7	35.3	486.0	32.5	455.3	30.1	435.4	28.6
	67	61	576.3	37.2	545.6	34.4	516.7	31.9	486.0	29.6	455.3	27.5	435.4	26.1
	72	66	576.3	33.6	545.6	31.0	516.7	29.0	486.0	27.0	455.3	25.0	435.4	23.8
75	69	576.3	31.4	545.6	29.3	516.7	27.4	486.0	25.5	455.3	23.6	435.4	22.5	
80	74	576.3	28.6	545.6	26.7	516.7	25.0	486.0	23.3	455.3	21.6	435.4	20.6	

NOTE - Power Input = Compressor + Outdoor Fan Motor.
MBH = 1000 BTUs per hour.

HEATING CAPACITY - THREE MODULE | VPB360L4

Combination (%)	Outdoor Temperature (°F)		Indoor Temperature - °F Dry Bulb											
			61		64		67		70		73		75	
	Dry Bulb	Wet Bulb	Total Cap. MBH	Power Input kW	Total Cap. MBH	Power Input kW	Total Cap. MBH	Power Input kW	Total Cap. MBH	Power Input kW	Total Cap. MBH	Power Input kW	Total Cap. MBH	Power Input kW
110%	-22	-23	256.7	45.7	251.9	47.1	247.8	48.4	243.8	49.8	240.1	51.3	237.9	52.3
	-17	-18	305.9	50.4	301.0	51.7	296.7	53.0	292.5	54.5	288.7	56.0	286.4	57.0
	-13	-14	349.0	55.3	348.0	57.0	347.1	58.7	346.2	60.5	345.4	62.4	344.9	63.7
	-8	-9	373.5	57.5	373.8	59.4	374.1	61.3	374.3	63.3	374.5	65.4	374.6	66.8
	-3	-4	390.1	58.9	390.4	60.8	390.6	62.7	390.7	64.7	390.8	66.8	385.9	67.0
	2	1	407.3	59.7	407.2	61.7	407.0	63.5	406.8	65.6	404.1	67.0	399.1	66.5
	7	6	424.5	60.0	423.8	61.9	423.1	63.7	422.3	65.7	417.3	65.8	399.1	62.5
	12	10	440.2	60.5	439.1	62.3	438.0	64.2	445.5	67.4	417.3	62.2	399.1	58.9
	17	15	462.6	61.3	461.0	63.2	459.4	65.0	445.5	62.4	417.3	57.2	399.1	53.8
	22	20	486.3	62.4	484.2	64.2	473.7	62.3	445.5	57.1	417.3	52.0	399.1	49.2
	27	24	508.0	63.4	500.2	62.3	473.7	57.6	445.5	52.5	417.3	48.2	399.1	45.7
	32	29	528.3	61.5	500.2	56.5	473.7	51.8	445.5	47.7	417.3	44.1	399.1	41.9
	37	34	528.3	55.2	500.2	50.4	473.7	46.9	445.5	43.5	417.3	40.2	399.1	38.1
	42	38	528.3	50.3	500.2	46.7	473.7	43.6	445.5	40.4	417.3	37.3	399.1	35.3
	47	43	528.3	45.6	500.2	42.5	473.7	39.7	445.5	36.8	417.3	33.9	399.1	32.2
	52	47	528.3	42.4	500.2	39.5	473.7	36.8	445.5	34.1	417.3	31.5	399.1	30.1
	57	52	528.3	38.5	500.2	35.8	473.7	33.4	445.5	31.0	417.3	28.9	399.1	27.6
	62	56	528.3	35.7	500.2	33.2	473.7	31.0	445.5	28.9	417.3	26.9	399.1	25.7
	67	61	528.3	32.2	500.2	30.1	473.7	28.2	445.5	26.3	417.3	24.5	399.1	23.4
	72	66	528.3	29.2	500.2	27.3	473.7	25.7	445.5	24.0	417.3	22.3	399.1	21.3
75	69	528.3	27.5	500.2	25.8	473.7	24.2	445.5	22.6	417.3	21.1	399.1	20.1	
80	74	528.3	25.0	500.2	23.5	473.7	22.1	445.5	20.7	417.3	19.4	399.1	18.5	
100%	-22	-23	252.4	46.6	248.0	47.9	244.1	49.2	240.3	50.7	236.9	52.2	234.9	53.2
	-17	-18	301.0	51.4	296.4	52.7	292.4	54.1	288.5	55.5	285.0	57.1	282.9	58.1
	-13	-14	346.9	56.7	345.9	58.5	345.0	60.2	344.2	62.1	343.5	64.1	343.1	65.4
	-8	-9	372.6	59.3	372.8	61.3	373.0	63.2	373.2	65.2	379.4	68.4	362.8	65.7
	-3	-4	389.2	60.8	389.4	62.7	389.5	64.7	389.6	66.8	379.4	65.7	362.8	62.9
	2	1	406.0	61.7	405.8	63.7	405.5	65.6	405.0	66.8	379.4	62.3	362.8	59.4
	7	6	422.5	62.0	421.8	64.0	421.1	65.9	405.0	62.8	379.4	58.2	362.8	55.2
	12	10	437.8	62.5	436.6	64.5	430.6	63.9	405.0	59.3	379.4	54.6	362.8	51.6
	17	15	459.5	63.5	454.7	63.2	430.6	58.9	405.0	54.2	379.4	49.9	362.8	47.6
	22	20	480.3	62.6	454.7	58.0	430.6	53.6	405.0	49.4	379.4	45.9	362.8	43.7
	27	24	480.3	57.8	454.7	53.3	430.6	49.3	405.0	45.9	379.4	42.6	362.8	40.5
	32	29	480.3	52.1	454.7	48.1	430.6	45.1	405.0	42.0	379.4	38.9	362.8	36.9
	37	34	480.3	46.9	454.7	43.9	430.6	41.1	405.0	38.2	379.4	35.4	362.8	33.6
	42	38	480.3	43.5	454.7	40.7	430.6	38.1	405.0	35.4	379.4	32.8	362.8	31.4
	47	43	480.3	39.6	454.7	37.0	430.6	34.6	405.0	32.2	379.4	30.1	362.8	28.8
	52	47	480.3	36.7	454.7	34.3	430.6	32.1	405.0	30.1	379.4	28.2	362.8	26.9
	57	52	480.3	33.3	454.7	31.1	430.6	29.3	405.0	27.5	379.4	25.7	362.8	24.6
	62	56	480.3	30.8	454.7	29.0	430.6	27.3	405.0	25.6	379.4	23.9	362.8	22.9
	67	61	480.3	28.0	454.7	26.4	430.6	24.9	405.0	23.3	379.4	21.7	362.8	20.8
	72	66	480.3	25.5	454.7	24.0	430.6	22.6	405.0	21.2	379.4	19.8	362.8	19.0
75	69	480.3	24.0	454.7	22.6	430.6	21.3	405.0	20.0	379.4	18.8	362.8	18.0	
80	74	480.3	21.9	454.7	20.7	430.6	19.5	405.0	18.4	379.4	17.3	362.8	16.6	

NOTE - Power Input = Compressor + Outdoor Fan Motor.
 MBH = 1000 BTUs per hour.

HEATING CAPACITY - THREE MODULE | VPB360L4

Combination (%)	Outdoor Temperature (°F)		Indoor Temperature - °F Dry Bulb											
			61		64		67		70		73		75	
	Dry Bulb	Wet Bulb	Total Cap. MBH	Power Input kW	Total Cap. MBH	Power Input kW	Total Cap. MBH	Power Input kW	Total Cap. MBH	Power Input kW	Total Cap. MBH	Power Input kW	Total Cap. MBH	Power Input kW
90%	-22	-23	247.9	47.6	243.8	48.9	240.2	50.3	236.7	51.7	233.6	53.3	231.7	54.3
	-17	-18	295.7	52.6	291.5	54.0	287.9	55.3	284.3	56.9	281.1	58.4	279.2	59.5
	-13	-14	344.7	58.6	343.8	60.5	343.1	62.2	342.3	64.2	341.5	65.8	326.6	63.5
	-8	-9	371.7	61.5	372.0	63.5	372.1	65.5	364.5	65.2	341.5	61.5	326.6	59.1
	-3	-4	388.3	63.1	388.4	65.2	387.5	66.3	364.5	62.4	341.5	58.5	326.6	56.0
	2	1	404.6	64.1	409.2	66.6	387.5	62.9	364.5	58.9	341.5	54.9	326.6	52.3
	7	6	420.5	64.5	409.2	62.7	387.5	58.8	364.5	54.8	341.5	50.9	326.6	48.8
	12	10	432.3	63.2	409.2	59.1	387.5	55.2	364.5	51.1	341.5	47.9	326.6	45.9
	17	15	432.3	58.1	409.2	54.1	387.5	50.3	364.5	47.1	341.5	44.0	326.6	42.0
	22	20	432.3	53.0	409.2	49.0	387.5	46.2	364.5	43.2	341.5	40.3	326.6	38.4
	27	24	432.3	48.5	409.2	45.6	387.5	42.9	364.5	40.0	341.5	37.2	326.6	35.4
	32	29	432.3	44.4	409.2	41.7	387.5	39.1	364.5	36.5	341.5	33.9	326.6	32.4
	37	34	432.3	40.4	409.2	37.9	387.5	35.6	364.5	33.1	341.5	31.1	326.6	29.8
	42	38	432.3	37.5	409.2	35.1	387.5	32.9	364.5	30.9	341.5	29.1	326.6	28.0
	47	43	432.3	34.0	409.2	31.8	387.5	30.2	364.5	28.4	341.5	26.7	326.6	25.6
	52	47	432.3	31.5	409.2	29.7	387.5	28.2	364.5	26.5	341.5	24.9	326.6	23.9
	57	52	432.3	28.7	409.2	27.2	387.5	25.7	364.5	24.2	341.5	22.7	326.6	21.8
	62	56	432.3	26.7	409.2	25.3	387.5	23.9	364.5	22.5	341.5	21.1	326.6	20.2
	67	61	432.3	24.3	409.2	23.0	387.5	21.7	364.5	20.4	341.5	19.2	326.6	18.4
	72	66	432.3	22.1	409.2	20.9	387.5	19.7	364.5	18.6	341.5	17.5	326.6	16.8
75	69	432.3	20.8	409.2	19.7	387.5	18.7	364.5	17.6	341.5	16.6	326.6	16.0	
80	74	432.3	19.0	409.2	18.1	387.5	17.2	364.5	16.3	341.5	15.3	326.6	14.8	
80%	-22	-23	243.1	48.8	239.3	50.2	236.1	51.6	232.9	53.1	230.0	54.7	228.4	55.7
	-17	-18	290.1	54.1	286.3	55.6	283.1	57.0	279.9	58.6	277.0	60.2	275.3	61.3
	-13	-14	342.6	61.0	341.8	62.9	344.5	65.2	324.0	62.1	303.5	58.9	290.3	56.9
	-8	-9	371.0	64.4	363.7	64.0	344.5	61.0	324.0	57.7	303.5	54.5	290.3	52.8
	-3	-4	384.2	64.6	363.7	61.2	344.5	58.0	324.0	54.7	303.5	51.6	290.3	50.0
	2	1	384.2	61.2	363.7	57.7	344.5	54.4	324.0	51.1	303.5	48.5	290.3	46.8
	7	6	384.2	57.1	363.7	53.5	344.5	50.3	324.0	47.6	303.5	44.9	290.3	43.2
	12	10	384.2	53.5	363.7	50.0	344.5	47.4	324.0	44.7	303.5	42.0	290.3	40.3
	17	15	384.2	48.7	363.7	46.0	344.5	43.5	324.0	40.9	303.5	38.3	290.3	36.6
	22	20	384.2	44.8	363.7	42.2	344.5	39.8	324.0	37.3	303.5	34.9	290.3	33.2
	27	24	384.2	41.5	363.7	39.1	344.5	36.8	324.0	34.5	303.5	32.3	290.3	31.1
	32	29	384.2	37.8	363.7	35.6	344.5	33.5	324.0	31.5	303.5	29.8	290.3	28.7
	37	34	384.2	34.3	363.7	32.3	344.5	30.6	324.0	29.0	303.5	27.4	290.3	26.4
	42	38	384.2	31.8	363.7	30.1	344.5	28.7	324.0	27.2	303.5	25.7	290.3	24.7
	47	43	384.2	29.1	363.7	27.7	344.5	26.3	324.0	24.9	303.5	23.5	290.3	22.5
	52	47	384.2	27.2	363.7	25.8	344.5	24.5	324.0	23.1	303.5	21.8	290.3	20.9
	57	52	384.2	24.8	363.7	23.5	344.5	22.3	324.0	21.1	303.5	19.8	290.3	19.1
	62	56	384.2	23.0	363.7	21.8	344.5	20.7	324.0	19.5	303.5	18.4	290.3	17.7
	67	61	384.2	20.9	363.7	19.8	344.5	18.8	324.0	17.8	303.5	16.8	290.3	16.1
	72	66	384.2	18.9	363.7	18.0	344.5	17.1	324.0	16.2	303.5	15.4	290.3	15.2
75	69	384.2	17.9	363.7	17.0	344.5	16.2	324.0	15.4	303.5	15.0	290.3	14.5	
80	74	384.2	16.4	363.7	15.7	344.5	15.0	324.0	14.5	303.5	13.7	290.3	13.2	

NOTE - Power Input = Compressor + Outdoor Fan Motor.
 MBH = 1000 BTUs per hour.

HEATING CAPACITY - THREE MODULE | VPB360L4

Combination (%)	Outdoor Temperature (°F)		Indoor Temperature - °F Dry Bulb											
			61		64		67		70		73		75	
	Dry Bulb	Wet Bulb	Total Cap. MBH	Power Input kW	Total Cap. MBH	Power Input kW	Total Cap. MBH	Power Input kW	Total Cap. MBH	Power Input kW	Total Cap. MBH	Power Input kW	Total Cap. MBH	Power Input kW
70%	-22	-23	237.8	50.5	234.5	51.9	231.6	53.3	228.8	54.9	226.3	56.5	224.8	57.6
	-17	-18	284.0	56.2	280.8	57.7	277.9	59.1	275.2	60.8	265.6	60.8	254.0	59.6
	-13	-14	336.2	62.6	318.3	59.9	301.4	57.4	283.5	55.0	265.6	53.2	254.0	52.0
	-8	-9	336.2	58.4	318.3	55.6	301.4	53.0	283.5	51.0	265.6	49.0	254.0	47.7
	-3	-4	336.2	55.4	318.3	52.5	301.4	50.3	283.5	48.2	265.6	46.0	254.0	44.6
	2	1	336.2	51.7	318.3	49.2	301.4	47.1	283.5	44.9	265.6	42.7	254.0	41.2
	7	6	336.2	48.0	318.3	45.8	301.4	43.7	283.5	41.4	265.6	39.1	254.0	37.6
	12	10	336.2	45.1	318.3	42.9	301.4	40.8	283.5	38.5	265.6	36.3	254.0	34.8
	17	15	336.2	41.4	318.3	39.2	301.4	37.1	283.5	35.0	265.6	32.8	254.0	31.6
	22	20	336.2	37.8	318.3	35.7	301.4	33.7	283.5	31.9	265.6	30.2	254.0	29.2
	27	24	336.2	34.9	318.3	32.9	301.4	31.3	283.5	29.7	265.6	28.2	254.0	27.3
	32	29	336.2	31.7	318.3	30.2	301.4	28.9	283.5	27.5	265.6	26.1	254.0	25.2
	37	34	336.2	29.1	318.3	27.8	301.4	26.6	283.5	25.2	265.6	23.9	254.0	23.1
	42	38	336.2	27.2	318.3	26.0	301.4	24.8	283.5	23.6	265.6	22.3	254.0	21.5
	47	43	336.2	24.9	318.3	23.8	301.4	22.7	283.5	21.5	265.6	20.3	254.0	19.6
	52	47	336.2	23.2	318.3	22.1	301.4	21.1	283.5	20.0	265.6	18.9	254.0	18.2
	57	52	336.2	21.1	318.3	20.1	301.4	19.1	283.5	18.1	265.6	17.1	254.0	16.5
	62	56	336.2	19.5	318.3	18.6	301.4	17.7	283.5	16.8	265.6	15.9	254.0	15.6
	67	61	336.2	17.7	318.3	16.9	301.4	16.1	283.5	15.3	265.6	14.9	254.0	14.3
	72	66	336.2	16.1	318.3	15.4	301.4	14.9	283.5	14.5	265.6	13.7	254.0	13.2
75	69	336.2	15.3	318.3	14.6	301.4	14.5	283.5	13.8	265.6	13.1	254.0	12.7	
80	74	336.2	14.1	318.3	13.9	301.4	13.2	283.5	12.5	265.6	11.9	254.0	11.4	
60%	-22	-23	232.1	52.7	229.2	54.2	226.8	55.6	224.5	57.3	222.4	59.0	217.7	59.4
	-17	-18	277.5	59.0	272.8	60.0	258.4	58.6	243.0	57.1	227.6	55.5	217.7	54.5
	-13	-14	288.2	54.0	272.8	52.5	258.4	51.2	243.0	49.7	227.6	48.1	217.7	47.1
	-8	-9	288.2	50.0	272.8	48.5	258.4	47.0	243.0	45.4	227.6	43.7	217.7	42.6
	-3	-4	288.2	47.3	272.8	45.6	258.4	44.0	243.0	42.2	227.6	40.4	217.7	39.2
	2	1	288.2	44.2	272.8	42.4	258.4	40.7	243.0	38.8	227.6	36.9	217.7	35.7
	7	6	288.2	40.7	272.8	38.9	258.4	37.1	243.0	35.3	227.6	33.3	217.7	32.1
	12	10	288.2	37.9	272.8	36.1	258.4	34.3	243.0	32.5	227.6	30.8	217.7	29.8
	17	15	288.2	34.4	272.8	32.6	258.4	31.2	243.0	29.7	227.6	28.3	217.7	27.3
	22	20	288.2	31.2	272.8	29.9	258.4	28.7	243.0	27.4	227.6	26.1	217.7	25.3
	27	24	288.2	29.1	272.8	27.9	258.4	26.8	243.0	25.6	227.6	24.4	217.7	23.6
	32	29	288.2	26.9	272.8	25.8	258.4	24.7	243.0	23.6	227.6	22.5	217.7	21.8
	37	34	288.2	24.7	272.8	23.6	258.4	22.7	243.0	21.6	227.6	20.6	217.7	19.9
	42	38	288.2	23.0	272.8	22.0	258.4	21.1	243.0	20.1	227.6	19.1	217.7	18.5
	47	43	288.2	21.0	272.8	20.1	258.4	19.2	243.0	18.3	227.6	17.4	217.7	16.8
	52	47	288.2	19.5	272.8	18.6	258.4	17.8	243.0	16.9	227.6	16.1	217.7	15.8
	57	52	288.2	17.6	272.8	16.9	258.4	16.1	243.0	15.5	227.6	14.9	217.7	14.4
	62	56	288.2	16.3	272.8	15.6	258.4	15.2	243.0	14.6	227.6	13.9	217.7	13.4
	67	61	288.2	14.8	272.8	14.7	258.4	14.0	243.0	13.4	227.6	12.7	217.7	12.3
	72	66	288.2	14.1	272.8	13.5	258.4	12.9	243.0	12.3	227.6	11.8	217.7	11.4
75	69	288.2	13.4	272.8	12.8	258.4	12.4	243.0	11.8	227.6	11.3	217.7	11.0	
80	74	288.2	12.2	272.8	11.7	258.4	11.2	243.0	10.6	227.6	10.0	217.7	9.7	

NOTE - Power Input = Compressor + Outdoor Fan Motor.
 MBH = 1000 BTUs per hour.

HEATING CAPACITY - THREE MODULE | VPB360L4

Combination (%)	Outdoor Temperature (°F)		Indoor Temperature - °F Dry Bulb											
			61		64		67		70		73		75	
	Dry Bulb	Wet Bulb	Total Cap.	Power Input	Total Cap.	Power Input	Total Cap.	Power Input	Total Cap.	Power Input	Total Cap.	Power Input	Total Cap.	Power Input
50%	-22	-23	225.8	55.9	227.3	58.5	215.3	57.4	202.5	56.3	189.7	55.2	181.4	54.4
	-17	-18	240.1	54.9	227.3	53.8	215.3	52.6	202.5	51.4	189.7	50.1	181.4	49.3
	-13	-14	240.1	47.7	227.3	46.6	215.3	45.4	202.5	44.2	189.7	42.9	181.4	42.0
	-8	-9	240.1	43.5	227.3	42.3	215.3	41.0	202.5	39.7	189.7	38.3	181.4	37.4
	-3	-4	240.1	40.4	227.3	39.1	215.3	37.7	202.5	36.3	189.7	34.8	181.4	33.6
	2	1	240.1	37.1	227.3	35.6	215.3	34.2	202.5	32.6	189.7	30.8	181.4	29.6
	7	6	240.1	33.6	227.3	32.1	215.3	30.7	202.5	29.3	189.7	27.8	181.4	26.9
	12	10	240.1	31.0	227.3	29.7	215.3	28.5	202.5	27.2	189.7	26.0	181.4	25.2
	17	15	240.1	28.3	227.3	27.2	215.3	26.2	202.5	25.1	189.7	24.0	181.4	23.3
	22	20	240.1	26.1	227.3	25.1	215.3	24.2	202.5	23.2	189.7	22.2	181.4	21.6
	27	24	240.1	24.3	227.3	23.4	215.3	22.6	202.5	21.7	189.7	20.7	181.4	20.1
	32	29	240.1	22.4	227.3	21.6	215.3	20.8	202.5	19.9	189.7	19.1	181.4	18.5
	37	34	240.1	20.5	227.3	19.7	215.3	19.0	202.5	18.2	189.7	17.4	181.4	16.9
	42	38	240.1	19.1	227.3	18.3	215.3	17.6	202.5	16.9	189.7	16.2	181.4	15.9
	47	43	240.1	17.3	227.3	16.6	215.3	16.0	202.5	15.6	189.7	14.9	181.4	14.4
	52	47	240.1	16.0	227.3	15.4	215.3	15.1	202.5	14.4	189.7	13.7	181.4	13.3
	57	52	240.1	14.8	227.3	14.3	215.3	13.7	202.5	13.1	189.7	12.4	181.4	12.0
62	56	240.1	13.8	227.3	13.3	215.3	12.7	202.5	12.1	189.7	11.5	181.4	11.2	
67	61	240.1	12.6	227.3	12.1	215.3	11.6	202.5	11.1	189.7	10.6	181.4	10.3	
72	66	240.1	11.6	227.3	11.2	215.3	10.8	202.5	10.4	189.7	10.0	181.4	9.7	
75	69	240.1	11.1	227.3	10.8	215.3	10.4	202.5	10.1	189.7	9.7	181.4	9.5	
80	74	240.1	10.2	227.3	9.8	215.3	9.4	202.5	9.0	189.7	8.5	181.4	8.2	

NOTE - Power Input = Compressor + Outdoor Fan Motor.
 MBH = 1000 BTUs per hour.

REVISIONS

Sections	Description of Change
AHRI Ratings	Updated.



Intertek



Visit us at www.lennox.com

For the latest technical information, www.lennoxcommercial.com

Contact us at 1-800-4-LENNOX

NOTE - Due to Lennox' ongoing commitment to quality, Specifications, Ratings and Dimensions subject to change without notice and without incurring liability. Improper installation, adjustment, alteration, service or maintenance can cause property damage or personal injury. Installation and service must be performed by a qualified installer and servicing agency.

©2024 Lennox Industries, Inc.