

JACKPLUG CHART

J.P148	JACK/PLUG-INDOOR BLOWER-POWER
J.P149	JACK/PLUG-INDOOR BLOWER-SPD TAP
J.P2	JACK/PLUG-BURNER CONTROL
J.P84	JACK/PLUG-COMB AIR INDUCER
J.P3	JACK/PLUG-INDUCER/IGNITER
J.P159	JACK/PLUG-IGNITION

- ⚠ CUT W914 JUMPER LABELED DEHUM FROM DS TO R, AT A92 CONTROL BOARD, WHEN USED WITH ComfortSense 7000 THERMOSTAT
- ⚠ CUT W951 JUMPER FROM O TO R, LABELED "HEAT PUMP" AT A92 CONTROL BOARD, WHEN USED FOR DUAL FUEL APPLICATIONS
- ⚠ CUT W915 JUMPER LABELED "2 STAGE COMPR." FROM Y1 TO Y2 AT A92 CONTROL WHEN USED WITH A 2 STAGE THERMOSTAT.
- ⚠ L13 USED ON 3/4 AND 1 HP ONLY

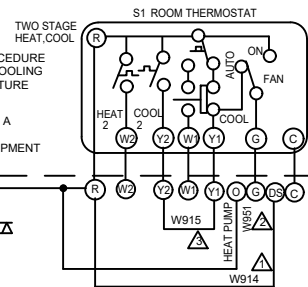
- ⚠ DIP SWITCH FACTORY DEFAULT IS FOR A TWO STAGE THERMOSTAT
- ⚠ FIELD SUPPLIED ACC WIRE
- ⚠ USE COPPER CONDUCTORS ONLY
- ⚠ DH AND L TERMINALS NOT USED.
- ⚠ DO NOT USE RED (LOW SPEED) FOR HIGH HEAT ON ALL MODELS.

THERMOSTAT HEAT ANTICIPATION SETTING

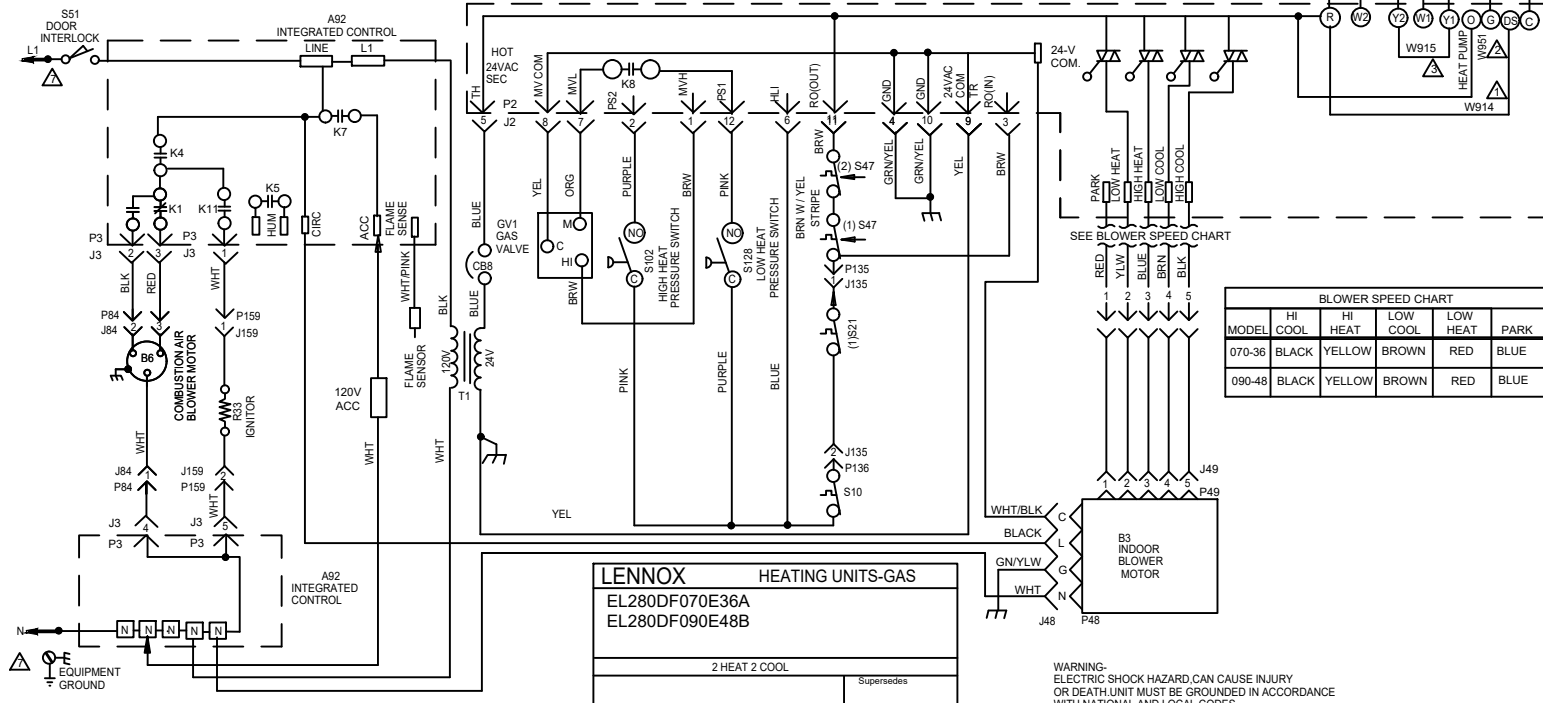
.85 AMP	HONEYWELL VALVE
.43 AMP	WHITE RODGERS VALVE

NOTE: SEE INSTALLATION INSTRUCTIONS FOR PROCEDURE TO SET CORRECT BLOWER SPEED FOR SPECIFIC COOLING TONNAGE BEING APPLIED, AND HEATING TEMPERATURE RISE REQUIRED.

TYPICAL SYSTEM SHOWN FOR 2 HEAT/2 COOL WITH A CONVENTIONAL THERMOSTAT. SEE INSTALLATION INSTRUCTIONS FOR CONNECTIONS TO OTHER EQUIPMENT AND ACCESSORIES.



CUT SIZE: 9" WIDE x 8-1/4" HEIGHT



BLOWER SPEED CHART

MODEL	HI COOL	HI HEAT	LOW COOL	LOW HEAT	PARK
070-36	BLACK	YELLOW	BROWN	RED	BLUE
090-48	BLACK	YELLOW	BROWN	RED	BLUE

LENNOX HEATING UNITS-GAS

EL280DF070E36A
EL280DF090E48B

2 HEAT 2 COOL

Supersedes

Form No. 538277-01

WARNING- ELECTRIC SHOCK HAZARD, CAN CAUSE INJURY OR DEATH. UNIT MUST BE GROUNDED IN ACCORDANCE WITH NATIONAL AND LOCAL CODES.

NOTE: IF ANY WIRE IN THIS APPLIANCE IS REPLACED IT MUST BE REPLACED WITH WIRE OF LIKE SIZE, RATING, INSULATION THICKNESS, AND TERMINATION