

GRAVITY EXHAUST DAMPERS

507959-01
6/2023
Supersedes 5/2019

LAGEDH GRAVITY EXHAUST DAMPERS

INSTALLATION INSTRUCTIONS FOR LAGEDH HORIZONTAL GRAVITY EXHAUST DAMPERS

Shipping and Packing List

LAGEDH03/15 Horizontal Gravity Exhaust Damper Package 1 of 1 contains:

- 1- Assembled gravity exhaust damper
- 1- Exhaust hood top
- 2- Exhaust hood sides
- 2- Outdoor air hood sides¹
- 1- Outdoor Air Hood Bottom Filter Bracket¹

¹Outdoor air hood installation is shown in economizer installation instructions.

LAGEDH18/24 & 30/36 Horizontal Gravity Exhaust Damper Package 1 of 1 contains:

- 2- Assembled gravity exhaust dampers
- 2- Hood assemblies

All Dampers contain:

- 1- Bag assembly containing:
 - #10 sheet metal screws
 - Insulated foam tape

⚠ CAUTION

As with any mechanical equipment, contact with sharp sheet metal edges can result in personal injury. Take care while handling this equipment and wear gloves and protective clothing.

Application

Gravity exhaust dampers allow exhaust air to be discharged from the system when an economizer and/or power exhaust is operating. Gravity exhaust dampers also prevent outdoor air infiltration during unit off cycle.

LAGEDH dampers are used in horizontal air discharge applications and are installed in the return air plenum. See table 1.

Gravity exhaust dampers must be used any time a power exhaust damper is installed. A gravity exhaust damper is required in the system when an economizer is installed unless other provisions are made to exhaust indoor air.

TABLE 1

Unit	LAGED(H)	LB#	Cat. #
LG/LC/KG/KC 092-152	LAGEDH03/15	LB-68922F	53K04
LG/LC/KG/KC 024-090	LAGEDH03/15-2	LB-68922J	19F01
LG/LC/KG/KC 156, 180, 210, 240, 300S	LAGEDH18/24	LB-68922B	16K99
LG/LC/SG/SC 242, 300H, 360	LAGEDH30/36	LB-68922D	33K78

Install GED - Horizontal

- 1- Cut one opening in return air plenum on A, A+ and B box units and two openings in return air plenum on C & D box units. See figure 1 for dimensions. Make sure opening is centered top to bottom in plenum. On C & D box units, gravity exhaust dampers may be installed either on opposing sides of plenum or adjacent to each other. If adjacent, allow a minimum of 4" (102mm) between the two openings.
- 2- Secure hood sides to hood top as shown in figure 3.
- 3- Apply foam insulating tape around the back of the flanged edges of the LAGEDH assembly.
- 4- Align screw holes on top edges of hood and damper assembly.
- 5- Slide combined LAGEDH assembly into plenum opening and secure using screws provided. See figure 1.

⚠ WARNING

Improper installation, adjustment, alteration, service or maintenance can cause property damage, personal injury or loss of life. Installation and service must be performed by a licensed professional HVAC installer or equivalent, service agency, or the gas supplier



LAGEDH INSTALLATION

BOX SIZE	GED MODEL	DIMENSION in. (mm)		
		A	B	C
A, A+, B	LAGEDH03/15	29-1/2 (749)	13 (330)	6-1/2 (165)
C	LAGEDH18/24	29-1/2 (749)	13 (330)	6-1/2 (165)
D	LAGEDH30/36	52-1/2 (1334)	13 (330)	6-1/2 (165)

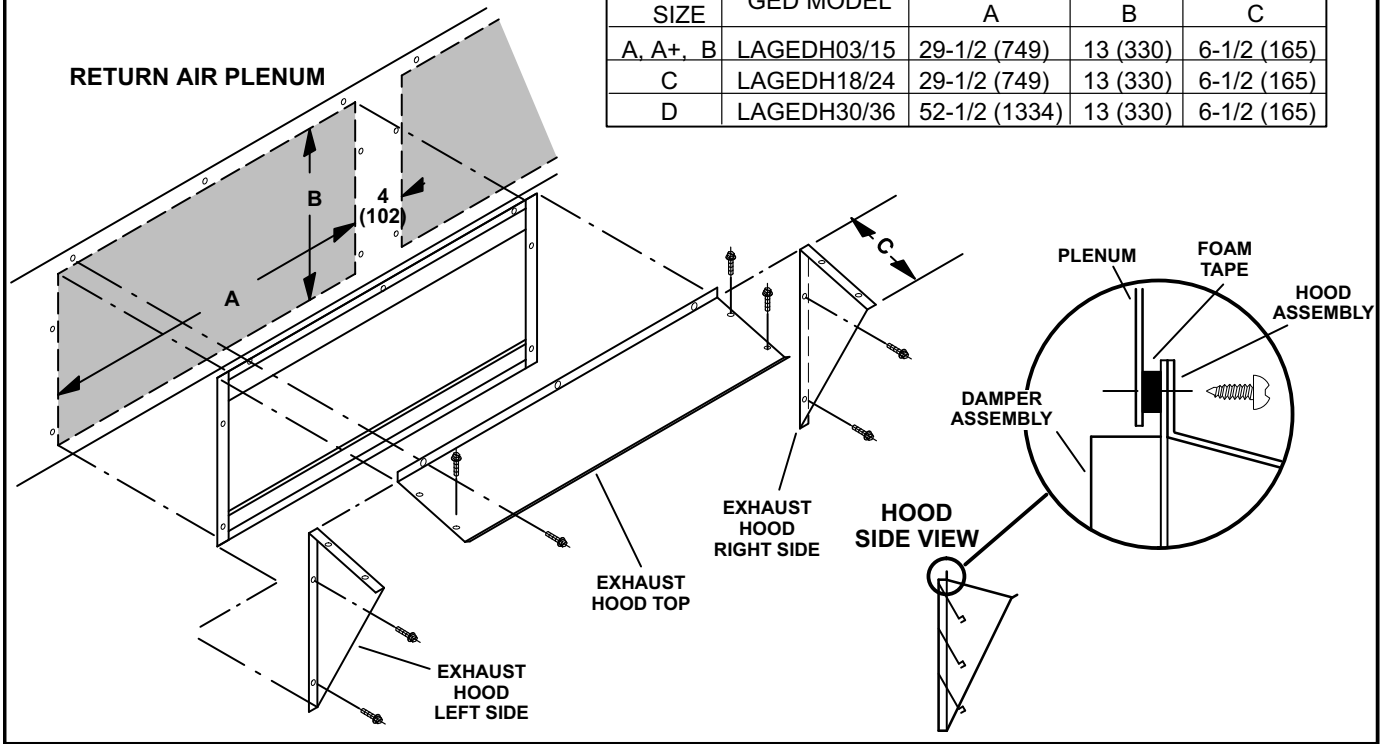


FIGURE 1