



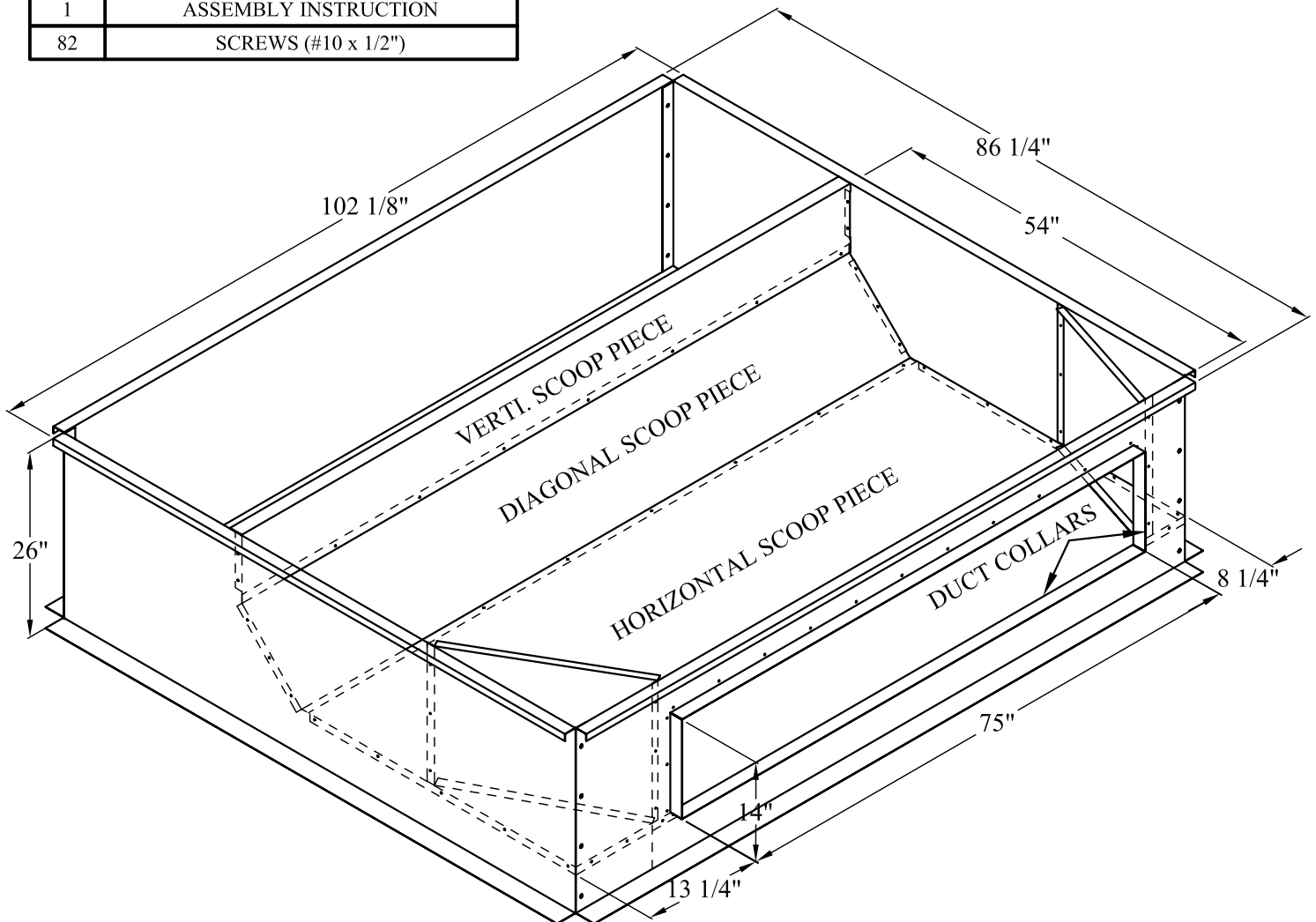
INSTALLATION INSTRUCTIONS FOR HORIZONTAL ROOF FRAME FOR



ENERGENCE / LANDMARK "C" BOX

**SHIPPED KNOCKDOWN FOR
FIELD ASSEMBLY**

ASSEMBLY PARTS LIST	
QTY	DESCRIPTION
2	CURB SIDES
2	CURB ENDS
1	VERTICAL SCOOP PIECE
1	DIAGONAL SCOOP PIECE
1	HORIZONTAL SCOOP PIECE
2	DEFLECTOR PIECES
20	#11000 5/16" BOLT X 3/4" LONG
20	#11205 5/16" NUT
20	#11405 5/16" WASHER
1	ASSEMBLY INSTRUCTION
82	SCREWS (#10 x 1/2")



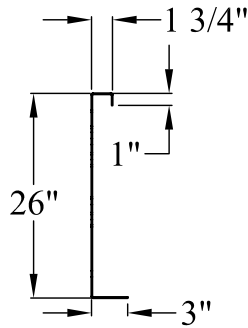
5000288 P1
JUL., 07, 2014



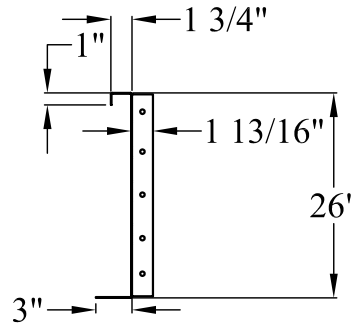
INSTALLATION INSTRUCTIONS FOR HORIZONTAL ROOF FRAME FOR



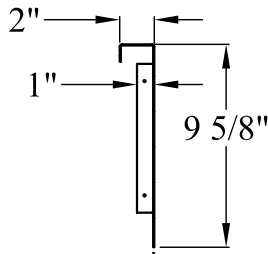
ENERGENCE / LANDMARK "C" BOX



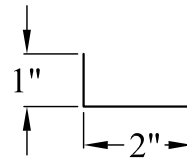
CURB SIDES
W/ OPENING - 75" X 14" -(x1)
W/ O OPENING - (x1)



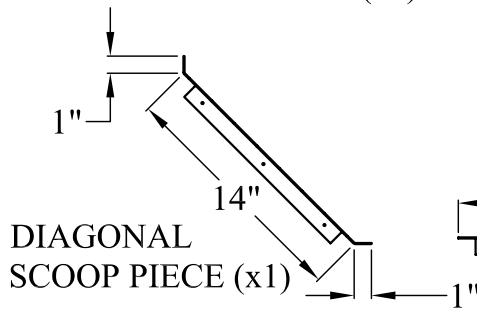
CURB ENDS (x2)



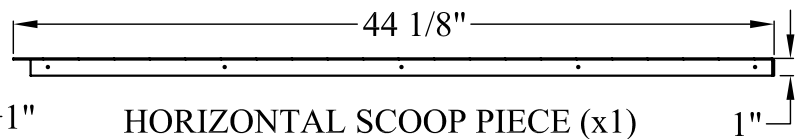
VERTI. SCOOP PIECE (x1)



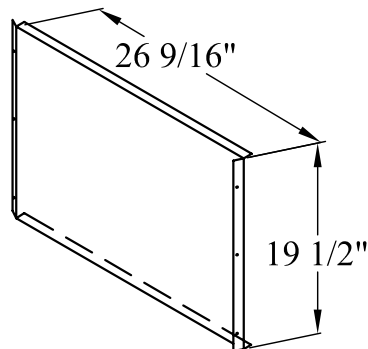
DUCT COLLARS
74 7/8" LONG- (x2)
13 7/8" LONG- (x2)



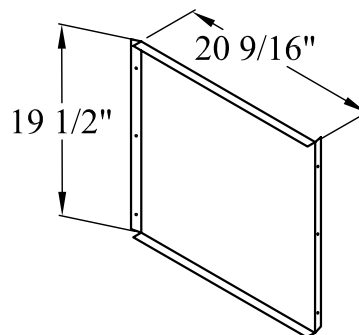
DIAGONAL
SCOOP PIECE (x1)



HORIZONTAL SCOOP PIECE (x1)



AIR DEFLECTOR
PIECE-BIG



AIR DEFLECTOR
PIECE-SMALL



INSTALLATION INSTRUCTIONS FOR
HORIZONTAL ROOF FRAME
FOR



ENERGENCE / LANDMARK "C" BOX

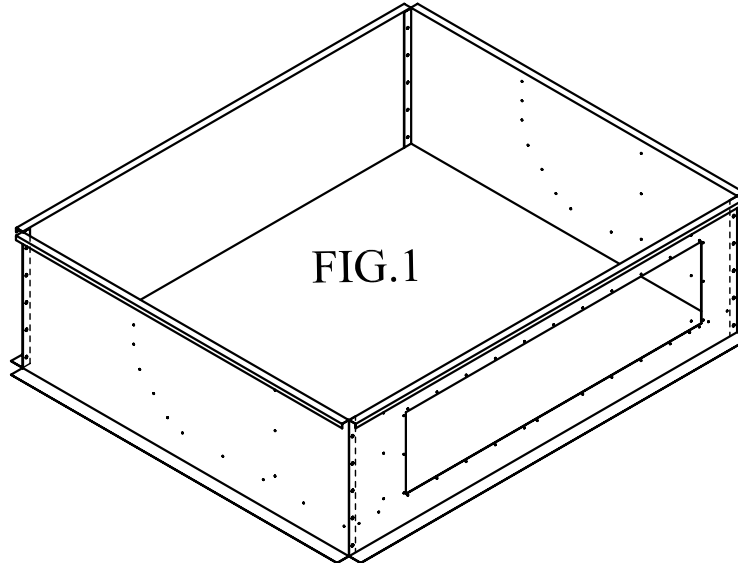


FIG.1

STEP #1 :- ASSEMBLE 2 SIDES & 2 ENDS WITH BOLTS PROVIDED KEEPING BOLT HEADS TO EXTERIOR OF CURB.

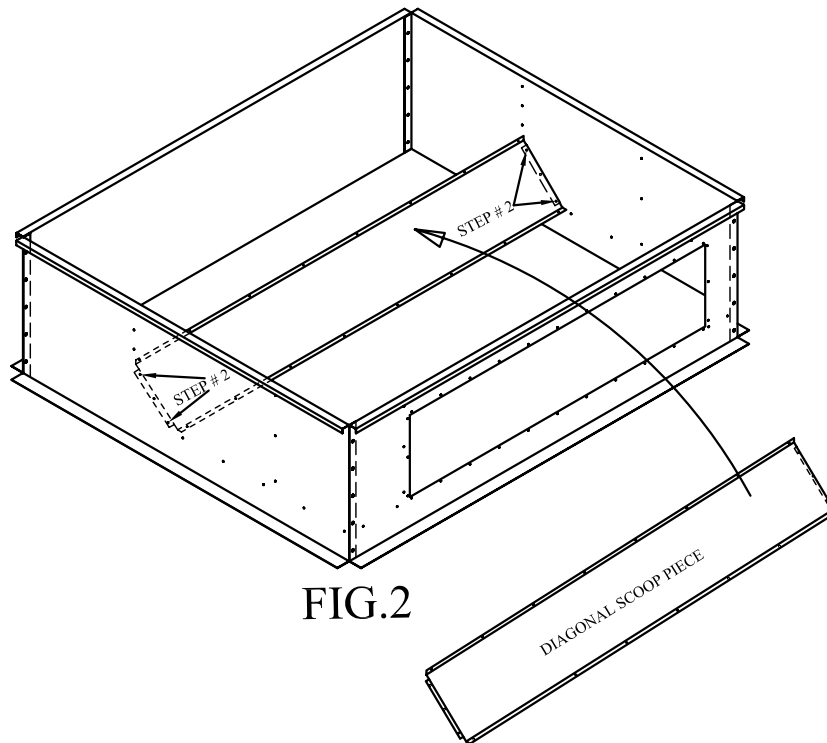


FIG.2

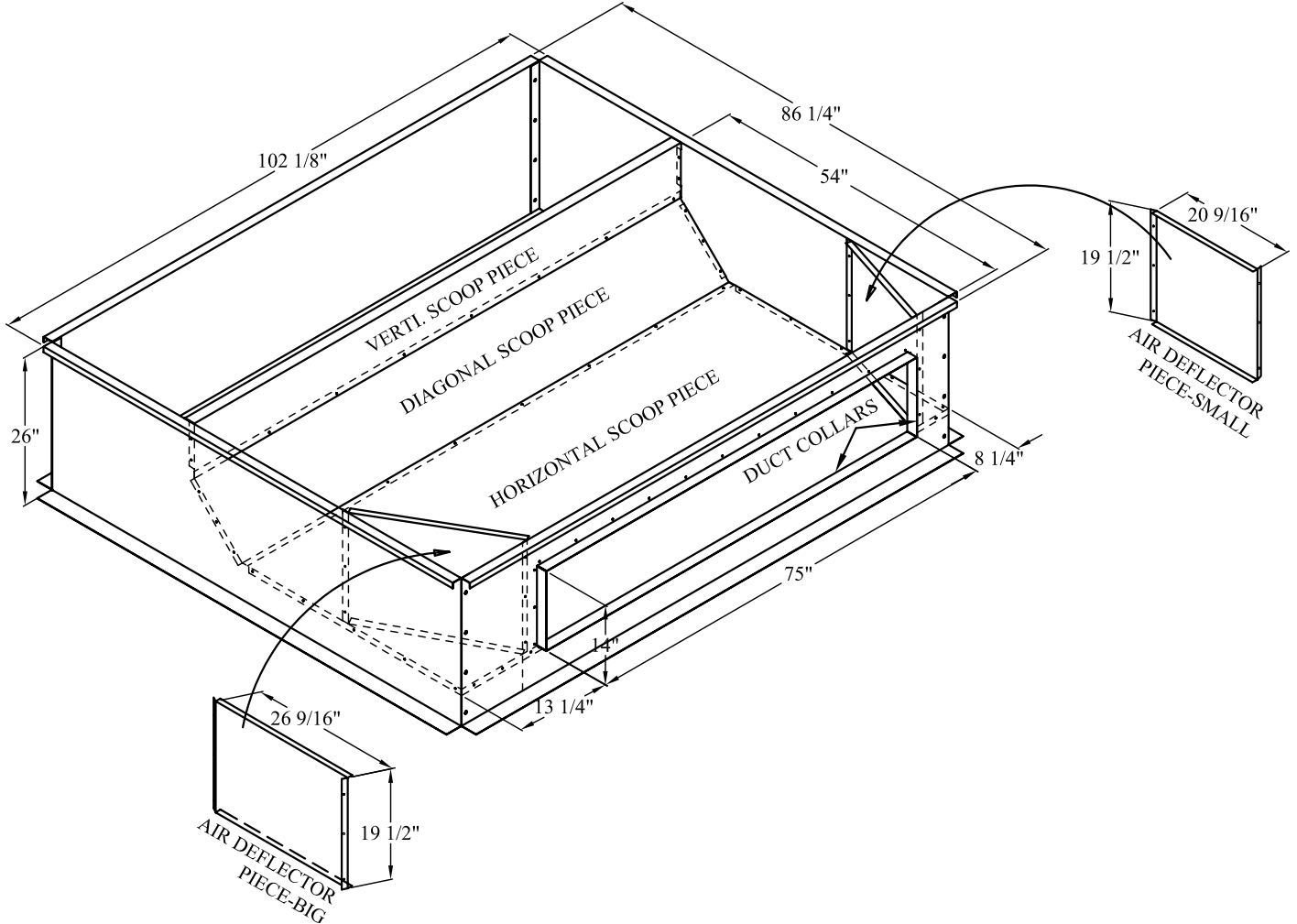
STEP #2 :- LINE UP THE HOLES ON THE DIAGONAL SCOOP PIECE WITH THOSE ON BOTH CURB SIDES AND USE #10 SCREWS TO SECURE SCOOP IN PLACE.



INSTALLATION INSTRUCTIONS FOR
HORIZONTAL ROOF FRAME
FOR



ENERGENCE / LANDMARK "C" BOX



STEP #8:- INSTALL AIR DEFLECTOR PIECES ON BOTH SIDES USING #10 SCREWS PROVIDED. (SEE FIG. 6)

STEP #9:- INSTALL OTHER DUCT COLLAR PIECES. (SEE FIG. 5)