



538225-01

01

02

03

04

05

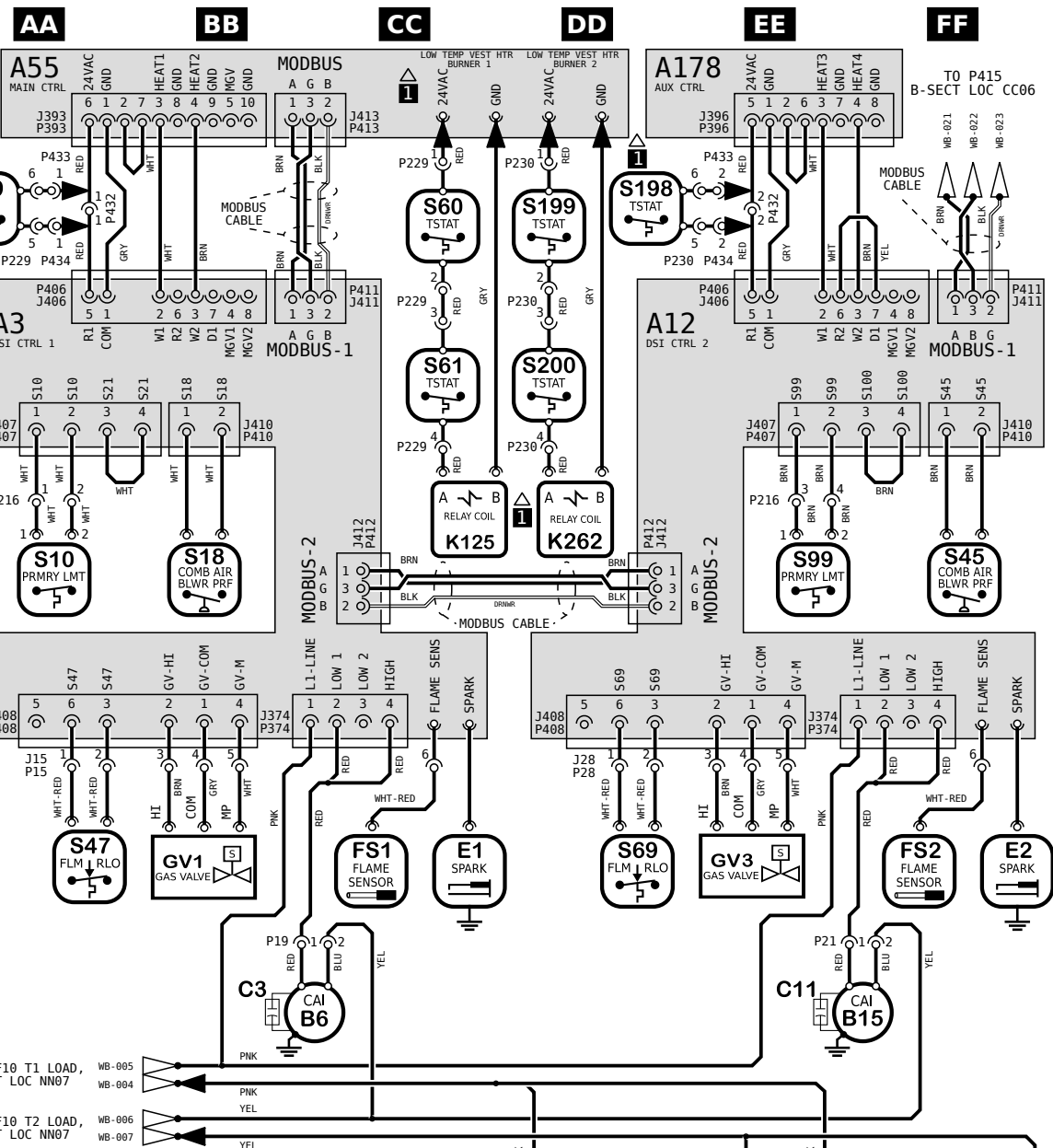
06

07

08

09

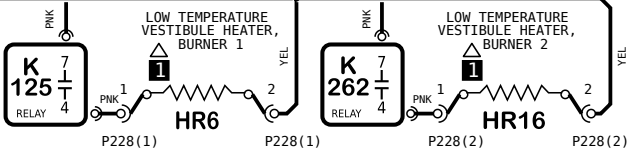
10



FROM F10 T1 LOAD, B-SECT LOC NN07
WB-005
WB-004
PNK
YEL

FROM F10 T2 LOAD, B-SECT LOC NN07
WB-006
WB-007
YEL

KEY LIST		
LOCATION		COMPONENT DESCRIPTION
AA/EE02	A3, A12	CONTROL BOARD, DSI BURNER 1, 2
AA01	A55	CONTROL BOARD, MAIN
EE01	A178	CONTROL BOARD, EXTENSION
BB/EE07	B6, B15	MOTOR, COMBUSTION AIR IND., BURNER 1, 2
BB/EE06	C3, C11	CAPACITOR, CAI MOTOR 1, 2
CC/FF06	E1, E2	IGNITER, SPARK, BURNER 1, 2
CC/FF06	FS1, FS2	SENSOR, FLAME, BURNER 1, 2
BB/EE06	GV1, GV2	VALVE, GAS, BURNER 1, 2
DD/FF08	HR6, HR16	HEATER, -50C LOW TEMP VEST, BURNER 1, 2
CC/DD03	K125, K262	RELAY, LOW TEMP VEST HEATER, BURNER 1, 2
AA/EE04	S10, S99	LIMIT, PRIMARY, BURNER 1, 2
BB/FF04	S18, S45	SWITCH, COMB AIR BLWR PROOF, BURNER 1, 2
AA/DD06	S47, S69	SWITCH, FLAME ROLLOUT, BURNER 1, 2
AA/DD02	S59, S198	TSTAT, OPEN -20F, CLOSE 10F, BURNER 1, 2
CC/DD02	S60, S199	TSTAT, OPEN 20F, CLOSE -10F, BURNER 1, 2
CC/DD03	S61, S200	TSTAT, OPEN 50F, CLOSE 20F, BURNER 1, 2



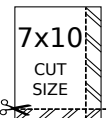
NOTES
1 - 50C LOW TEMPERATURE VESTIBULE HEATER - OPTIONAL

← DENOTES OPTIONAL COMPONENTS AND WIRING

© 2019

HEATING SECTION A	COOLING SECTION B	COOLING SECTION B3	ACCS SECTION C	ACCS SECTION D
-------------------	-------------------	--------------------	----------------	----------------

WIRING DIAGRAM FLOW



REV	EC NO.	DATE	BY	APVD	REVISION NOTE
---	CN-010356	06-21-2022	MXR6	JAL21	ORIGINATED AT PD&R CARROLLTON, TX
001	CN-012295C	04-03-2024	MXR6	MXT5	A) REVISED CAI B6/B15 SYMBOL B) ADDED SG MODEL TO TITLE BLOCK.



538225-01

01

02

03

04

05

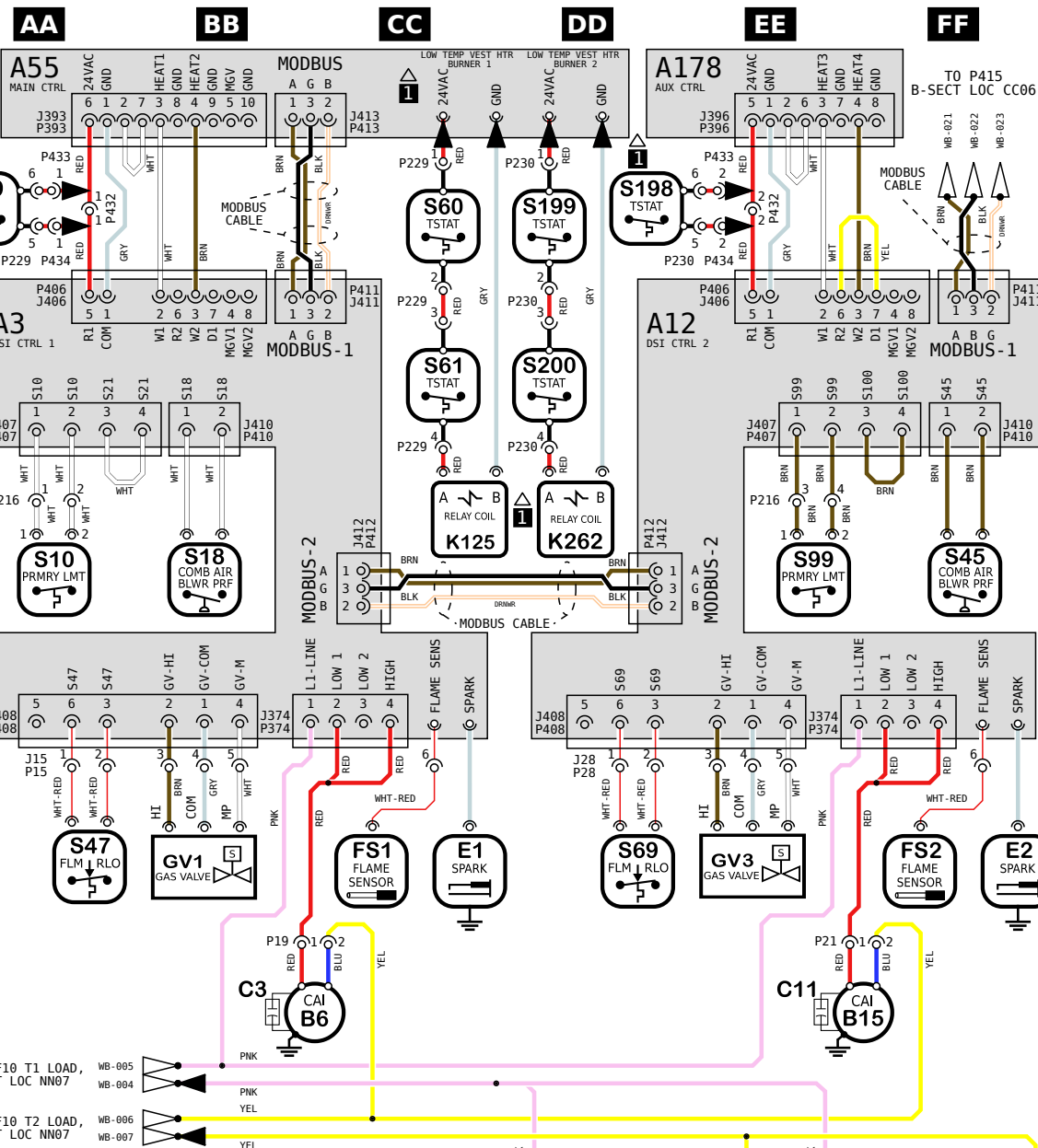
06

07

08

09

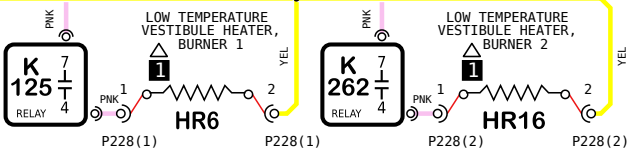
10



FROM F10 T1 LOAD, B-SECT LOC NN07
WB-005
WB-004

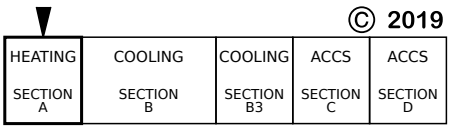
FROM F10 T2 LOAD, B-SECT LOC NN07
WB-006
WB-007

KEY LIST		
LOCATION		COMPONENT DESCRIPTION
AA/EE02	A3, A12	CONTROL BOARD, DSI BURNER 1, 2
AA01	A55	CONTROL BOARD, MAIN
EE01	A178	CONTROL BOARD, EXTENSION
BB/EE07	B6, B15	MOTOR, COMBUSTION AIR IND., BURNER 1, 2
BB/EE06	C3, C11	CAPACITOR, CAI MOTOR 1, 2
CC/FF06	E1, E2	IGNITER, SPARK, BURNER 1, 2
CC/FF06	FS1, FS2	SENSOR, FLAME, BURNER 1, 2
BB/EE06	GV1, GV2	VALVE, GAS, BURNER 1, 2
DD/FF08	HR6, HR16	HEATER, -50C LOW TEMP VEST, BURNER 1, 2
CC/DD03	K125, K262	RELAY, LOW TEMP VEST HEATER, BURNER 1, 2
DD/EE08	K125, K262	RELAY, LOW TEMP VEST HEATER, BURNER 1, 2
AA/EE04	S10, S99	LIMIT, PRIMARY, BURNER 1, 2
BB/FF04	S18, S45	SWITCH, COMB AIR BLWR PROOF, BURNER 1, 2
AA/DD06	S47, S69	SWITCH, FLAME ROLLOUT, BURNER 1, 2
AA/DD02	S59, S198	TSTAT, OPEN -20F, CLOSE 10F, BURNER 1, 2
CC/DD02	S60, S199	TSTAT, OPEN 20F, CLOSE -10F, BURNER 1, 2
CC/DD03	S61, S200	TSTAT, OPEN 50F, CLOSE 20F, BURNER 1, 2



NOTES
 1 - 50C LOW TEMPERATURE VESTIBULE HEATER - OPTIONAL

← DENOTES OPTIONAL COMPONENTS AND WIRING



REV	EC NO.	DATE	BY	APVD	REVISION NOTE
---	CN-010356	06-21-2022	MXR6	JAL21	ORIGINATED AT PD&R CARROLLTON, TX
001	CN-012295C	04-03-2024	MXR6	MXT5	A) REVISED CAI B6/B15 SYMBOL B) ADDED SG MODEL TO TITLE BLOCK.

