



©2022 Lennox Industries Inc.
Dallas, Texas, USA



508307-01

INSTALLATION INSTRUCTIONS FOR SENSOR BRACKET KIT (23Y47) USED TO INSTALL CARBON DIOXIDE SENSOR (23V87) IN ROOFTOP UNIT DOWNFLOW APPLICATIONS

! IMPORTANT

Improper installation, adjustment, alteration, service or maintenance can cause personal injury, loss of life, or damage to property.

Installation and service must be performed by a licensed professional installer (or equivalent) or a service agency.

Shipping and Packing List

Check contents for shipping damage. Receiving party should contact the last carrier immediately if shipping damage is found.

Description	Quantity
Brackets (one used per unit)	2
8-32X1/2" PHTF screws	4
8-18X1/2" SDST screws	1
Grommet	1

! IMPORTANT

These instructions are intended as a general guide and do not supersede local codes in any way. Authorities having jurisdiction should be consulted before installation.

Application

The sensor bracket kit is used to install a *Carbon Dioxide Sensor* (23V87) in the return air opening of packaged gas, cooling, and heat pump units in downflow applications.

NOTE: The *Carbon Dioxide Sensor* (23V87) is ordered and shipped separately. The sensor should be black in color for duct applications only.

! IMPORTANT

DO NOT use white sensors in duct applications.

The bracket hangs on the return air flange and extends the sensor into the duct.

Installation

1. Disconnect all power to unit.
2. Install grommet in bracket.
3. Align baseplate on bracket as shown in figure 1 and secure with two thread forming screws.

4. Pull field provided wiring through grommet. Connect wiring to sensor according to manufacturer's instructions provided with the sensor.
5. Align notches on baseplate with hinges on the back of the cover and pivot closed. Install two screws on the bottom of the sensor cover to secure sensor cover to baseplate as illustrated in figure 2.

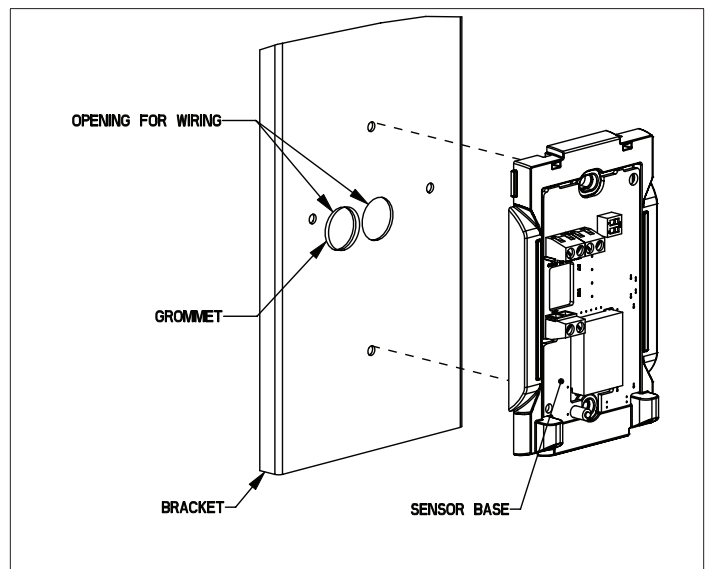


Figure 1. Sensor Mounting Base

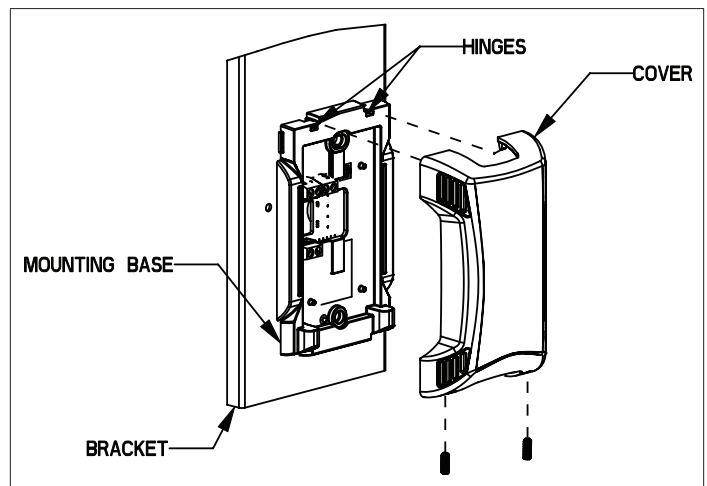


Figure 2. Install CO₂ Sensor Hinges

6. Install bracket and sensor assembly on return air flange. See figure 3 when unit has a narrow return air flange. See figure 4 when unit has a wide return air flange. Retain the unused bracket for other installations.

7. Secure bracket with screw when flange is wide. See figure 4.

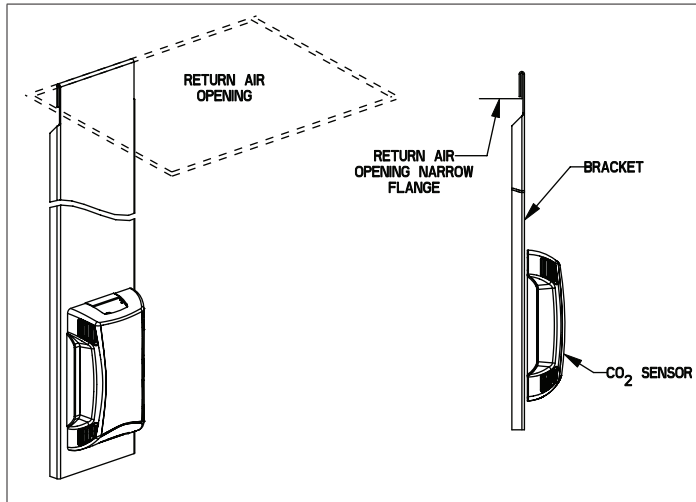


Figure 3. Install Bracket (Units with Narrow Flange)

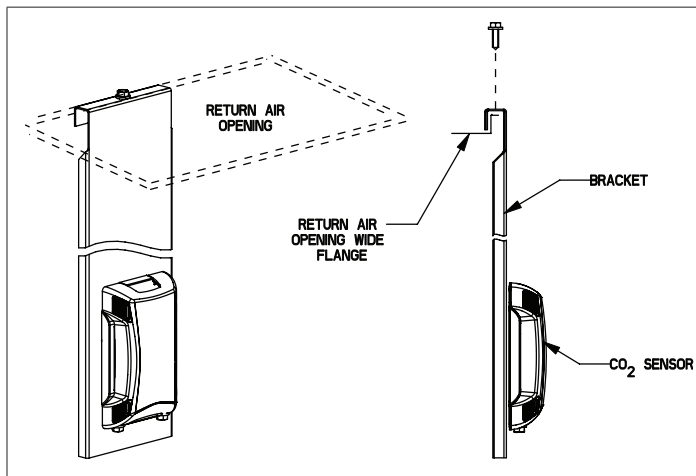


Figure 4. Install Bracket (Units with Wide Flange)