



SUBMITTAL DATA – **DUCTED**  
**MLB048S4S-1P – MMDB048S4-2P**  
 SINGLE ZONE MINI-SPLIT HEAT PUMP

**Job:** \_\_\_\_\_  
**Location:** \_\_\_\_\_  
**Schedule No.:** \_\_\_\_\_  
**System Designation:** \_\_\_\_\_

**Engineer:** \_\_\_\_\_  
**Architect:** \_\_\_\_\_  
**Date:** \_\_\_\_\_  
**For:**  Reference  Approval  Review  Construction

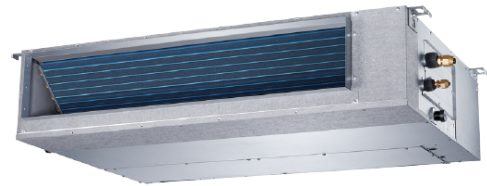
**FEATURES**

**Outdoor Unit: MLB048S4S-1P**



- Low Ambient Heating/Cooling
- DC Inverter Control
- Compressor Overcurrent Protection
- Base Heater
- Defrost Control

**Indoor Unit: MMDB048S4-2P**



- Pre Heat Function
- Auto Restart
- Built-In Condensate Pump
- Three Selectable Fan Speeds
- Flare Connections
- LED Readout Panel
- Wired Remote Controller Included

**PIPING**

Line Set and Elevation Guidelines	
Maximum Line Set Length ft. (m)	213 ft. (65 m)
Maximum Elevation - Outdoor Unit Below/Above Indoor Unit ft. (m)	98 ft. (30 m)
Liquid Line Set Diameter (in.)	3/8
Gas Line Set Diameter (in.)	5/8
Pre-Charged (ft.)	25 ft.
Additional Charge of Refrigerant (oz/ft.)	0.32

**PRODUCT WARRANTY**

Compressor – Twelve year limited warranty\*  
 All other covered components - Twelve year limited warranty\*  
 \*Product registration required

**OPTIONAL ACCESSORIES**

Hail Guards (M9GARD17Q-1)  
 Programmable Controller (M0STAT64Q-1)



NOTE – Due to Lennox' ongoing commitment to quality, Specifications, Ratings, and Dimensions are subject to change without notice and without incurring liability. Improper installation, adjustment, alteration, service or maintenance can cause property damage or personal injury. Installation and service must be performed by a qualified installer and servicing agency.



# SUBMITTAL DATA - **DUCTED**

## ML**B048S4S-1P** – MMDB**048S4-2P**

### SINGLE ZONE MINI-SPLIT HEAT PUMP

#### OUTDOOR SPECIFICATIONS

PERFORMANCE	
Cooling Capacity (Btu/h) <sup>1</sup>	48,000
EER	8.7
SEER	16
Heating Capacity (Btu/h) <sup>1</sup>	48,000
HSPF	11.1
Outdoor Fan Total Air Volume (CFM)	4,470
Ambient Temperature Operating Range	
Cooling	-22°F - 122°F
Heating	-22°F - 86°F
ELECTRICAL DATA	
Power Supply (V/Hz/Φ)	208-230/60/1
Minimum Circuit Ampacity (A)	36.3
Maximum Overcurrent Protection (A)	50
Outdoor Fan Motor RLA (A)	2 (0.39)
Compressor RLA (A)	
No. of Compressors	2

GENERAL DATA		
Connection Ratio (%)		100%
Max. # of Indoor Units		1 unit
Sound Data (dBA) - Cooling/Heating		65/65
Refrigerant type		R-410A
Factory refrigerant charge		16 lbs. 0 oz.
DIMENSIONS		
Unit Dimensions (in)	Height	52-1/2
	Width	37-1/2
	Depth	15-7/8
Shipping Weight (lb)		256
Net Weight (lb)		228

**NOTES**

1. Cooling and Heating Capacity data is rated at the following conditions:  
 Cooling: 80°FDB / 67°FWB Indoor, 95°FDB Outdoor  
 Heating: 70°FDB Indoor, 47°FDB / 43°FWB Outdoor

#### INDOOR SPECIFICATIONS

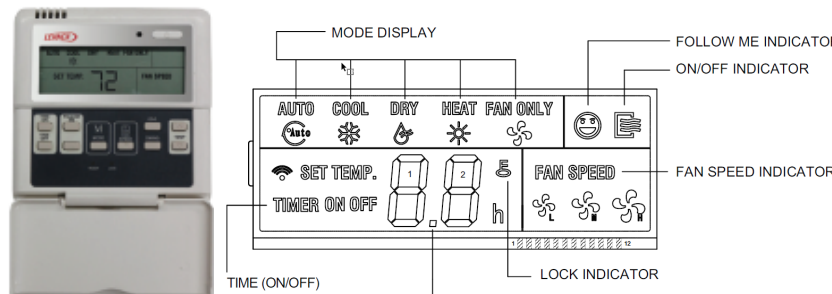
PERFORMANCE		
Airflow (CFM)	High	1230
	Medium	1030
	Low	715
External Static Pressure (in. w.g.)		0 - 0.64
Sound Pressure (dBA)	High	46
	Medium	48.5
	Low	50.5
ELECTRICAL DATA		
Power Supply (V/Hz/Φ)	Supplied by ODU	
Rated load amps (RLA)	4.1	
Power Output (W)	560	
DIMENSIONS		
Unit Dimensions (in)	Height	11-7/8
	Width	48-7/8
	Depth	34-3/8
Unit Net/Shipping Weight (lb)	120/142	

PIPING		
Liquid/Gas O.D. Flare (in.)	3/8, 5/8	
Drain Connection O.D. (in.)	1	

#### WIRED REMOTE CONTROLLER SPECIFICATIONS

M0STAT61Q-1	
Input Voltage (V)	5Vdc
Communication Cabling	Factory 4-wire harness
Operating Temperature Range	23°F to 110°F
Operating Humidity Range (RH)	40% ~ 90%
Setpoint Range	62°F ~ 86°F

#### DISPLAY



NOTE – Due to Lennox' ongoing commitment to quality, Specifications, Ratings, and Dimensions are subject to change without notice and without incurring liability. Improper installation, adjustment, alteration, service or maintenance can cause property damage or personal injury. Installation and service must be performed by a qualified installer and servicing agency.

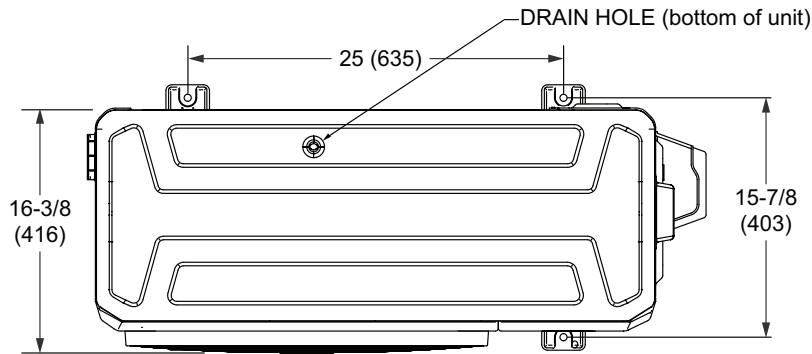


# SUBMITTAL DATA - CEILING **CASSETTE**

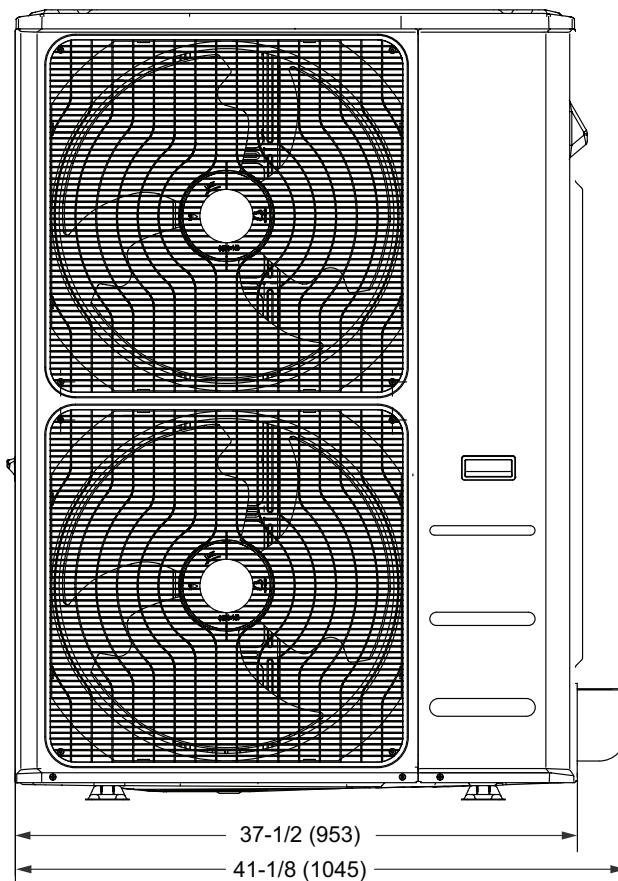
ML**B048S4S-1P** - M**33A048S4-2P**

SINGLE ZONE MINI-SPLIT HEAT PUMP

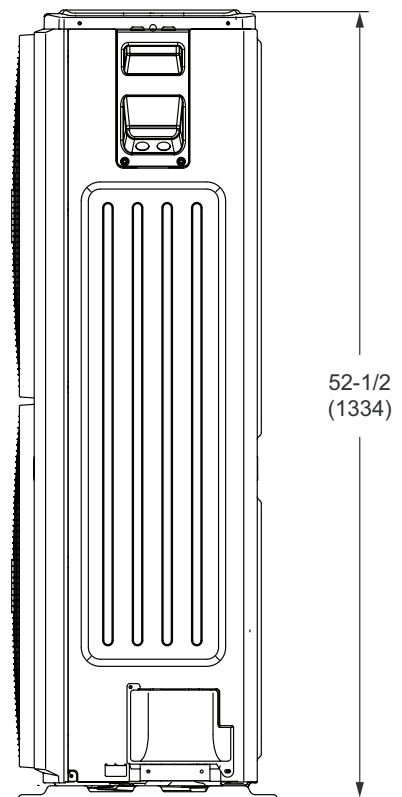
## OUTDOOR DIMENSIONAL DRAWINGS - INCHES (MM)



**TOP VIEW**



**FRONT VIEW**



**SIDE VIEW**

NOTE - Due to Lennox' ongoing commitment to quality, Specifications, Ratings, and Dimensions are subject to change without notice and without incurring liability. Improper installation, adjustment, alteration, service or maintenance can cause property damage or personal injury. Installation and service must be performed by a qualified installer and servicing agency.

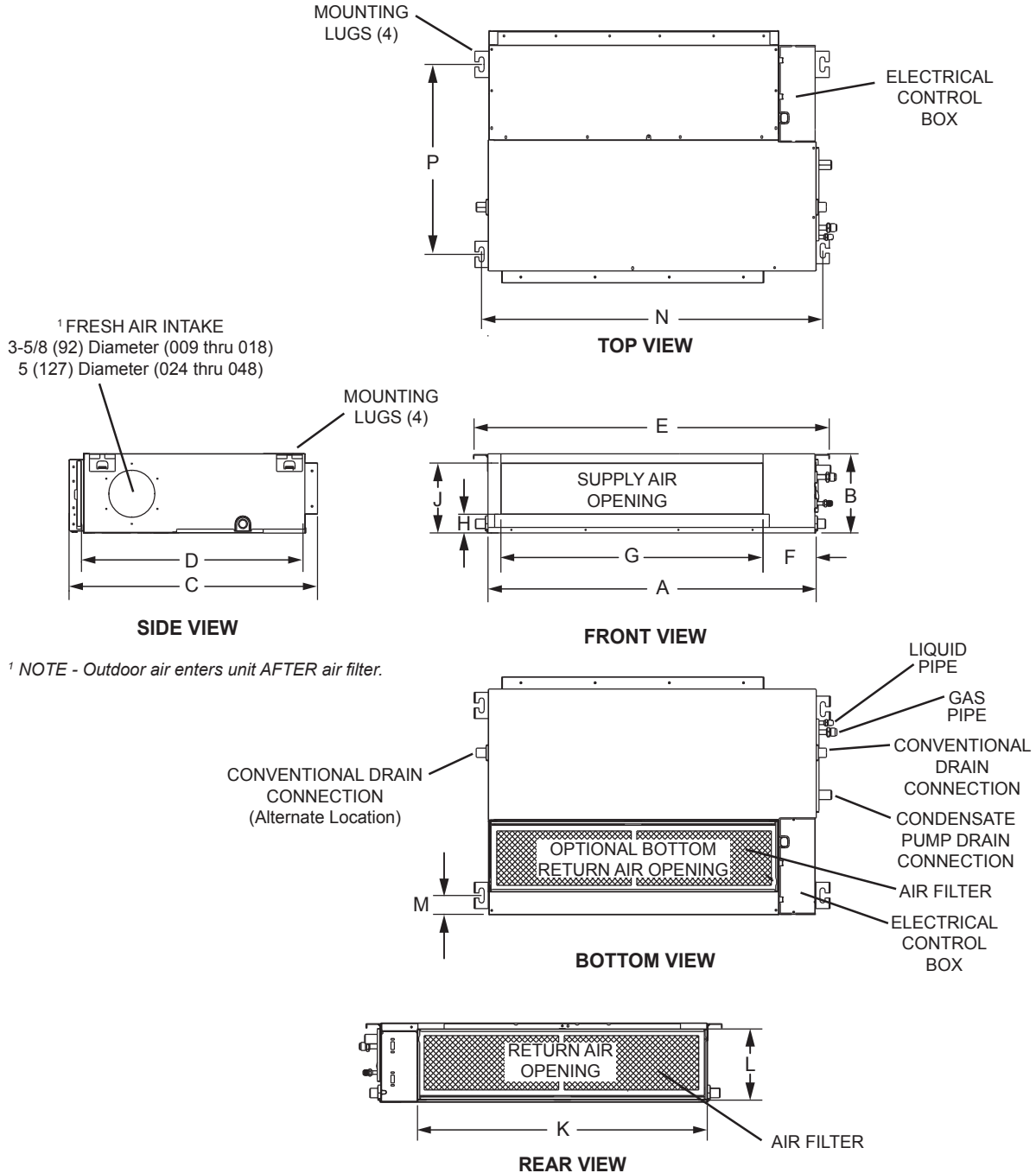


# SUBMITTAL DATA – DUCTED

## MLB048S4S-1P – MMDB048S4-2P

### SINGLE ZONE MINI-SPLIT HEAT PUMP

#### INDOOR DIMENSIONAL DRAWINGS - INCHES (MM)



<sup>1</sup> NOTE - Outdoor air enters unit AFTER air filter.

Size	A		B		C		D		E		F		G		H	
	in.	mm	in.	mm	in.	mm	in.	mm	in.	mm	in.	mm	in.	mm	in.	mm
048	47-1/4	1200	11-7/8	302	34-3/8	873	31-1/2	800	50-1/2	1283	4-7/8	124	41-1/8	1045	2	51
	J		K		L		M		N		P					
	in.	mm	in.	mm	in.	mm	in.	mm	in.	mm	in.	mm	in.	mm		
	9	229	43-3/8	1102	11	279	1/4	6	48-7/8	1241	27-1/2	699				

NOTE – Due to Lennox' ongoing commitment to quality, Specifications, Ratings, and Dimensions are subject to change without notice and without incurring liability. Improper installation, adjustment, alteration, service or maintenance can cause property damage or personal injury. Installation and service must be performed by a qualified installer and servicing agency.