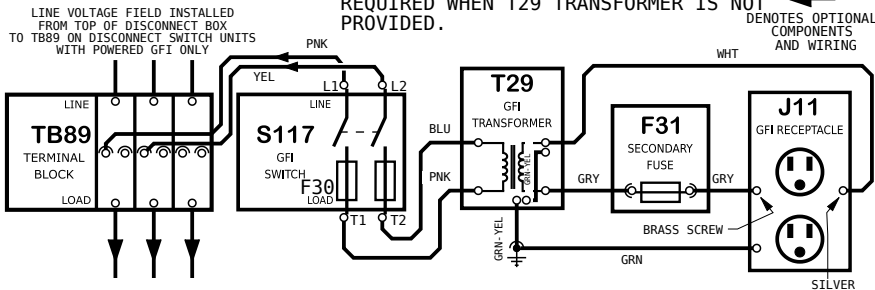


POWERED GFI OPTION - 120V FIELD PROVIDED POWER SUPPLY IS REQUIRED WHEN T29 TRANSFORMER IS NOT PROVIDED.

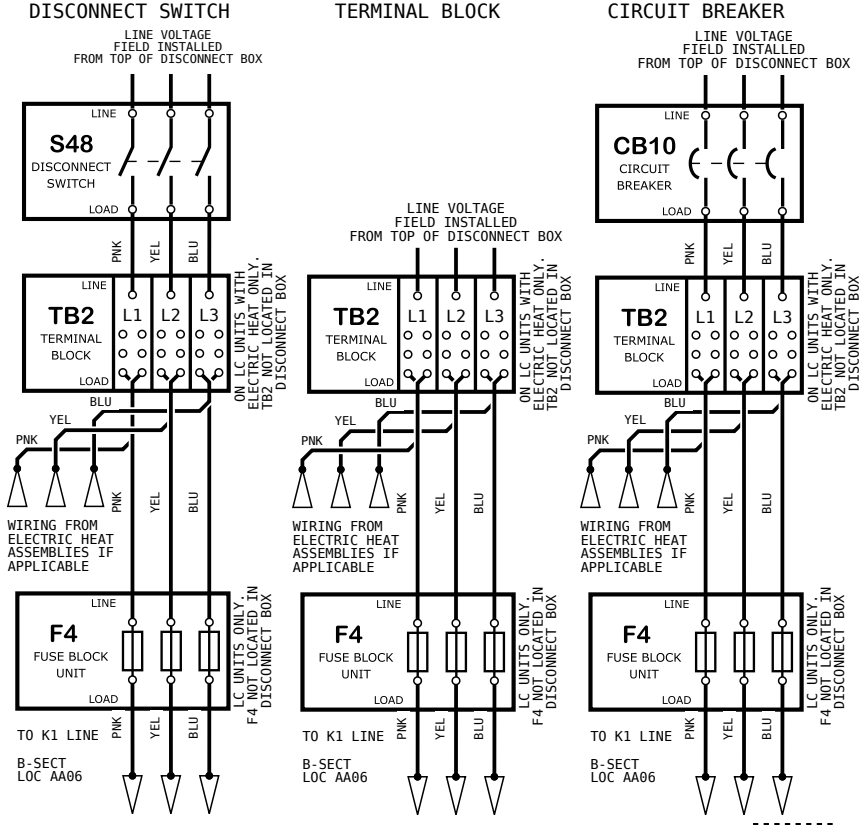


DISCONNECT SWITCH UNITS WITH POWERED GFI: CONNECT TB89 LOAD TO 548 LINE

POWERED GFI NOT OFFERED ON TERMINAL BLOCK UNITS

CIRCUIT BREAKER UNITS WITH POWERED GFI: CONNECT S117-L1/L2 DIRECTLY TO QUICK CONNECT SPADES LOCATED ON CB10 LINE L1/L2 (TB89 NOT REQUIRED)

-----POWER ENTRY OPTIONS-----

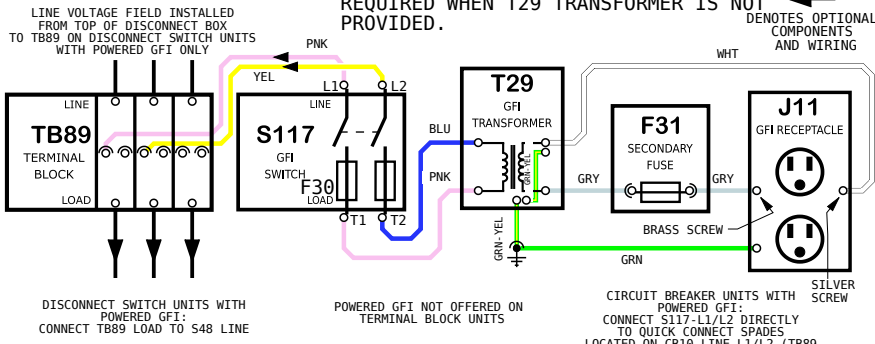


Model: LC, LG, LH, LD Series RTU
 Power Entry Options 024-074
 Voltage: All Voltages
 Supersedes: XXXXX-XX Form No: 538234-01 Rev: 0

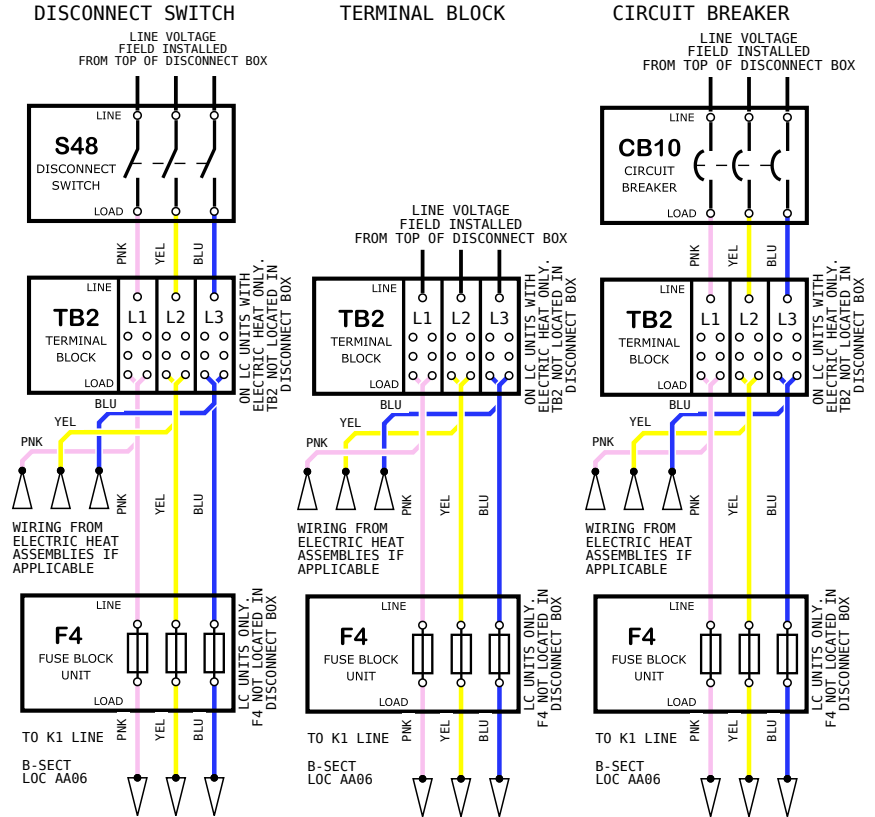


REV	EC NO.	DATE	BY	APVD	REVISION NOTE

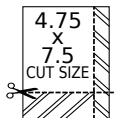
POWERED GFI OPTION - 120V FIELD PROVIDED POWER SUPPLY IS REQUIRED WHEN T29 TRANSFORMER IS NOT PROVIDED.



-----POWER ENTRY OPTIONS-----



Model: LC, LG, LH, LD Series RTU
 Power Entry Options 024-074
 Voltage: All Voltages
 Supersedes: XXXXX-XX Form No: 538234-01 Rev: 0



REV	EC NO.	DATE	BY	APVD	REVISION NOTE