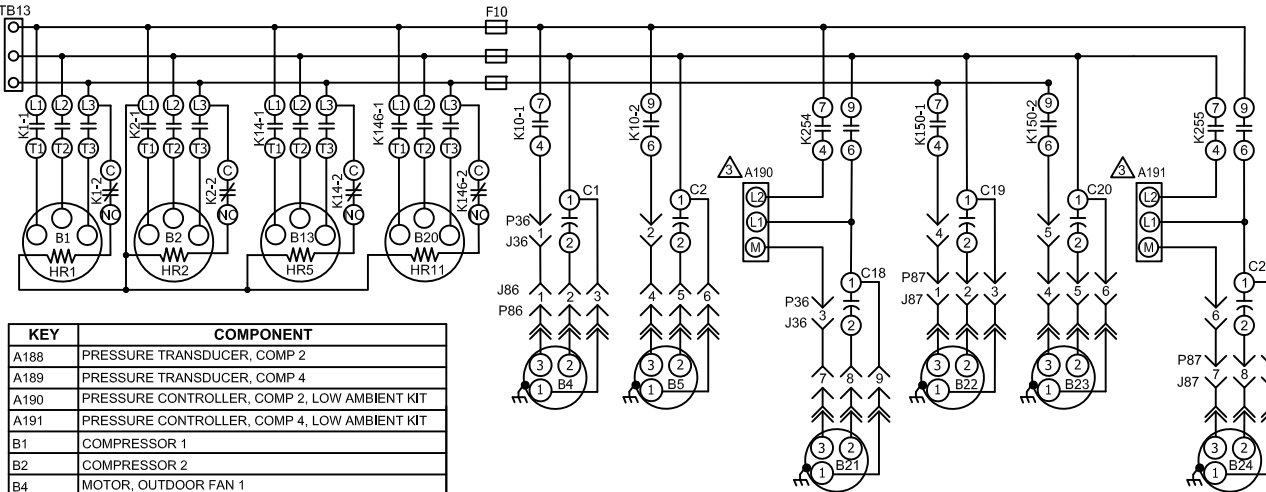
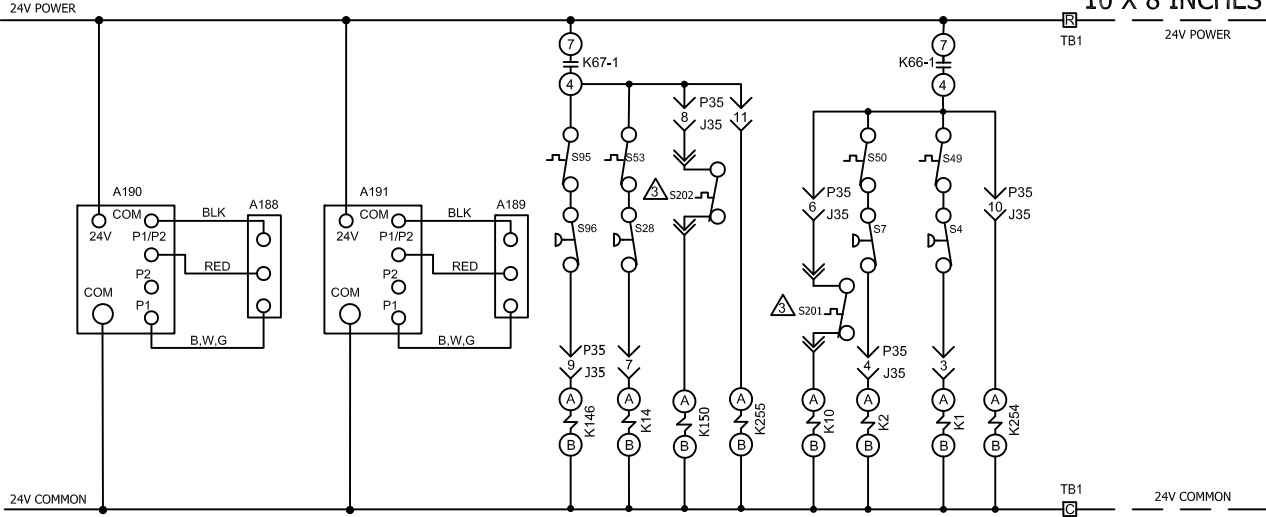


10 X 8 INCHES



KEY	COMPONENT
A188	PRESSURE TRANSDUCER, COMP 2
A189	PRESSURE TRANSDUCER, COMP 4
A190	PRESSURE CONTROLLER, COMP 2, LOW AMBIENT KIT
A191	PRESSURE CONTROLLER, COMP 4, LOW AMBIENT KIT
B1	COMPRESSOR 1
B2	COMPRESSOR 2
B4	MOTOR, OUTDOOR FAN 1
B5	MOTOR, OUTDOOR FAN 2
B13	COMPRESSOR 3
B20	COMPRESSOR 4
B21	MOTOR, OUTDOOR FAN 3
B22	MOTOR, OUTDOOR FAN 4
B23	MOTOR, OUTDOOR FAN 5
B24	MOTOR, OUTDOOR FAN 6
C1	CAPACITOR, OUTDOOR FAN 1
C2	CAPACITOR, OUTDOOR FAN 2
C18	CAPACITOR, OUTDOOR FAN 3
C19	CAPACITOR, OUTDOOR FAN 4
C20	CAPACITOR, OUTDOOR FAN 5
C21	CAPACITOR, OUTDOOR FAN 6
J/P 35	JACK/ PLUG, RUN TEST
J/P 36	JACK/ PLUG, RUN TEST OD FANS
HR1	HEATER, COMPRESSOR 1
HR2	HEATER, COMPRESSOR 2
HR5	HEATER, COMPRESSOR 3
HR11	HEATER, COMPRESSOR 4
K1-1,2	CONTACTOR, COMPRESSOR 1
K2-1,2	CONTACTOR, COMPRESSOR 2
K10-1,2	RELAY, OUTDOOR FANS 1, 2
K14-1,2	CONTACTOR, COMPRESSOR 3
K66-1	RELAY, STAGE COOL 1
K67-1	RELAY, STAGE COOL 2
K146-1,2	CONTACTOR, COMPRESSOR 4
K150-1,2	RELAY, OUTDOOR FANS 4, 5
K254	RELAY, LOW AMBIENT KIT FAN 3
K255	RELAY, LOW AMBIENT KIT FAN 6

S4	SWITCH, LIMIT HI PRESS COMP 1
S7	SWITCH, LIMIT HI PRESS COMP 2
S28	SWITCH, LIMIT HI PRESS COMP 3
S49	SWITCH, FREEZESTAT COMP 1
S50	SWITCH, FREEZESTAT COMP 2
S53	SWITCH, FREEZESTAT COMP 3
S95	SWITCH, FREEZESTAT COMP 4
S96	SWITCH, LIMIT HI PRESS COMP 4
S201	SWITCH, LOW AMBIENT TEMP SENSOR 1
S202	SWITCH, LOW AMBIENT TEMP SENSOR 2
TB1	TERMINAL STRIP, 24V
TB13	TERMINAL STRIP, POWER DISTRIBUTION

- ⚠ REFER TO UNIT RATING PLATE FOR MINIMUM CIRCUIT AMPACITY AND MAXIMUM OVERCURRENT PROTECTION
- ⚠ F10 USED ON Y-VOLT UNITS ONLY
- ⚠ REFER TO INSTRUCTION SHEETS FOR LOW AMBIENT HARNESS INSTALLATION PROCEDURE


WARNING-ELECTRIC SHOCK HAZARD CAN CAUSE INJURY OR DEATH. UNIT MUST BE GROUNDED IN ACCORDANCE WITH NATIONAL AND LOCAL CODES

FOR USE WITH COPPER CONDUCTORS ONLY

DISCONNECT ALL POWER BEFORE SERVICING

IF ANY WIRE IN THIS APPLIANCE IS REPLACED, IT MUST BE REPLACED WITH WIRE OF LIKE SIZE, RATING, INSULATION THICKNESS AND TERMINATION

— DENOTES OPTIONAL COMPONENTS
 — LIVE VOLTAGE FIELD INSTALLED

2022/10		WIRING DIAGRAM	10/22
		538043-02	
COOLING - MSAV			
KG/KC C-BOX - 300S - G, J, Y VOLT LOW AMBIENT KIT			
SECTION B			REV. 1
Supersedes	New Form No.		
538043-01	538043-02		