



538237-02

AA

BB

CC

DD

EE

FF

01

02

03

04

05

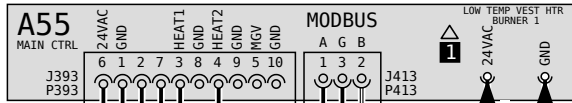
06

07

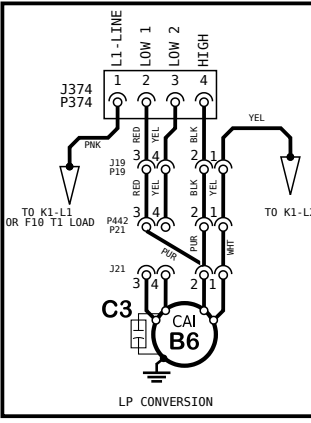
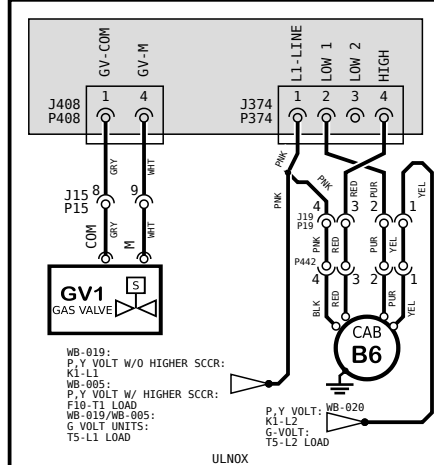
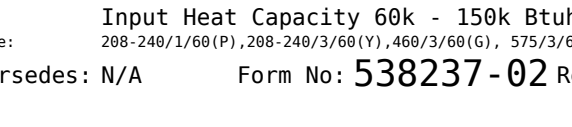
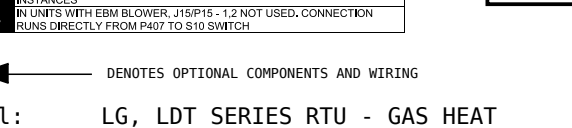
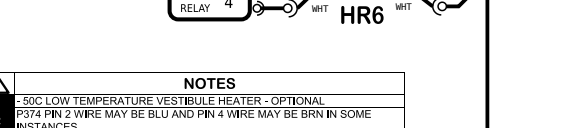
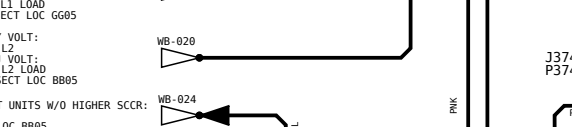
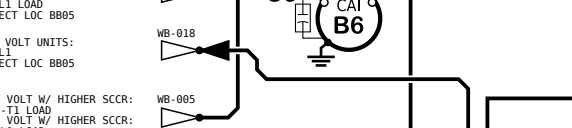
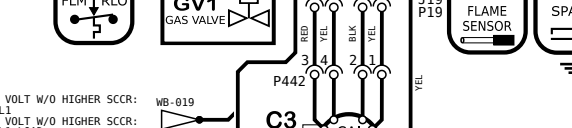
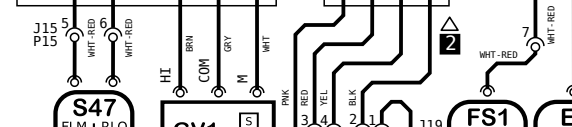
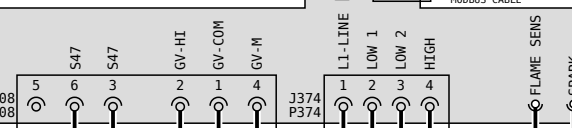
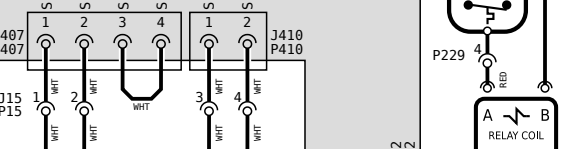
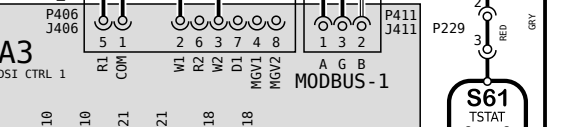
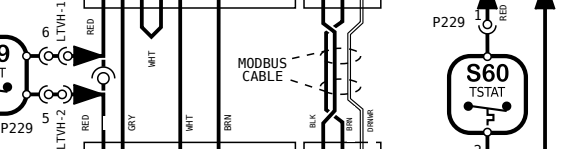
08

09

10



LOCATION	COMPONENT DESCRIPTION	
AA02-05	A3	CONTROL BOARD, DSI BURNER
AA01	A55	CONTROL BOARD, MAIN
DD04	B3	MOTOR, INDOOR BLOWER
CC06	B6	MOTOR, CAI MOTOR
BB06	C3	CAPACITOR, CAI MOTOR
DD06	E1	IGNITER, SPARK, BURNER
CC06	FS1	SENSOR, FLAME, BURNER
BB06	GV1	VALVE, GAS, BURNER
CC08	HR6	HEATER, -50C LOW TEMP VEST. BURNER
BB08	K125	RELAY, LOW TEMP VEST HEATER, BURNER
AA04	S10	LIMIT, PRIMARY BURNER
BB04	S18	SWITCH, COMB AIR BLWR PRF, BURNER
AA06	S47	SWITCH, FLAME ROLLOUT, BURNER
AA02	S59	TSTAT, OPEN -20F, CLOSE 10F, BURNER
CC02	S60	TSTAT, OPEN 20F, CLOSE -10F, BURNER
CC03	S61	TSTAT, OPEN 50F, CLOSE 20F, BURNER



NOTES	
1	-50C LOW TEMPERATURE VESTIBULE HEATER - OPTIONAL
2	P374 PIN 2 WIRE MAY BE BLU AND PIN 4 WIRE MAY BE BRN IN SOME INSTANCES
3	IN UNITS WITH EBM BLOWER, J15/P15 - 1,2 NOT USED, CONNECTION RUNS DIRECTLY FROM P407 TO S10 SWITCH

← DENOTES OPTIONAL COMPONENTS AND WIRING

© 2019				
HEATING	COOLING	COOLING	ACCS	ACCS
SECTION A	SECTION B	SECTION B3	SECTION C	SECTION D

WIRING DIAGRAM FLOW

REV	EC NO.	DATE	BY	APVD	REVISION NOTE
--	CN-011764	06/01/2022	AXL	AAH	ORIGINATED AT PD&R CARROLLTON, TX

7x10 CUT SIZE

AA

BB

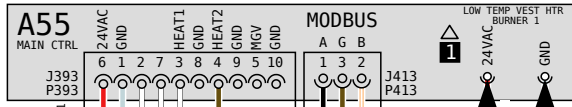
CC

DD

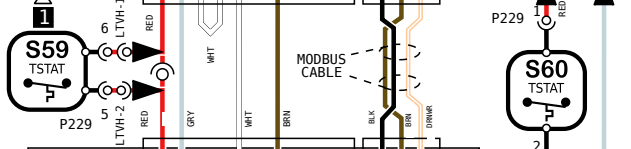
EE

FF

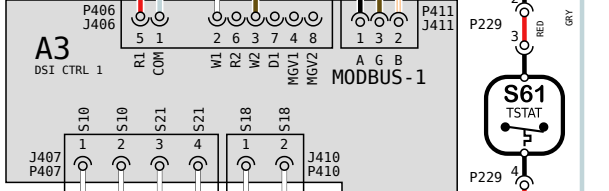
01



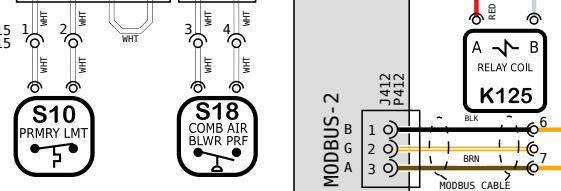
02



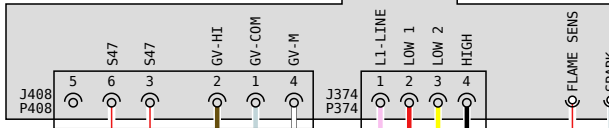
03



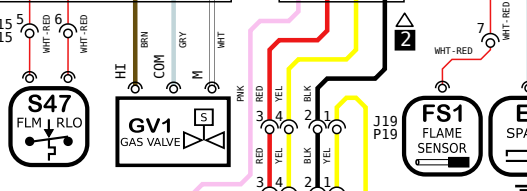
04



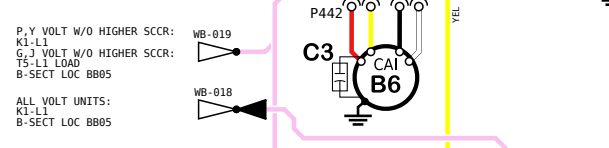
05



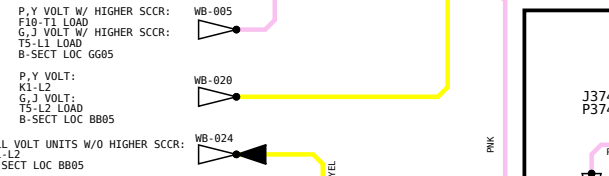
06



07



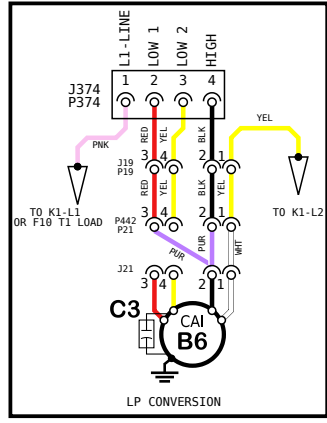
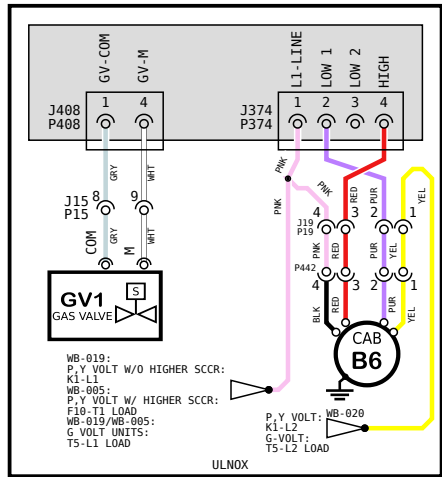
08



09

NOTES	
1	-50C LOW TEMPERATURE VESTIBULE HEATER - OPTIONAL
2	P374 PIN 2 WIRE MAY BE BLU AND PIN 4 WIRE MAY BE BRN IN SOME INSTANCES
3	IN UNITS WITH EBM BLOWER, J15/P15 - 1,2 NOT USED, CONNECTION RUNS DIRECTLY FROM P407 TO S10 SWITCH

LOCATION	COMPONENT DESCRIPTION	
AA02-05	A3	CONTROL BOARD, DSI BURNER
AA01	A55	CONTROL BOARD, MAIN
DD04	B3	MOTOR, INDOOR BLOWER
CC06	B6	MOTOR, CAI MOTOR
BB06	C3	CAPACITOR, CAI MOTOR
DD06	E1	IGNITER, SPARK, BURNER
CC06	FS1	SENSOR, FLAME, BURNER
BB06	GV1	VALVE, GAS, BURNER
CC08	HR6	HEATER, -50C LOW TEMP VEST. BURNER
BB08	K125	RELAY, LOW TEMP VEST HEATER, BURNER
AA04	S10	LIMIT, PRIMARY BURNER
BB04	S18	SWITCH, COMB AIR BLWR, PROOF, BURNER
AA06	S47	SWITCH, FLAME ROLLOUT, BURNER
AA02	S59	TSTAT, OPEN -20F, CLOSE 10F, BURNER
CC02	S60	TSTAT, OPEN 20F, CLOSE -10F, BURNER
CC03	S61	TSTAT, OPEN 50F, CLOSE 20F, BURNER



← DENOTES OPTIONAL COMPONENTS AND WIRING

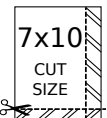
10

Model: LG, LDT SERIES RTU - GAS HEAT
Input Heat Capacity 60k - 150k Btu
Voltage: 208-240/1/60(P), 208-240/3/60(Y), 460/3/60(G), 575/3/60(J)
Supersedes: N/A Form No: 538237-02 Rev: 0

© 2019

HEATING	COOLING	COOLING	ACCS	ACCS
SECTION A	SECTION B	SECTION B3	SECTION C	SECTION D

WIRING DIAGRAM FLOW



REV	EC NO.	DATE	BY	APVD	REVISION NOTE
--	CN-011764	06/01/2022	AXL	AAH	ORIGINATED AT PD&R CARROLLTON, TX