



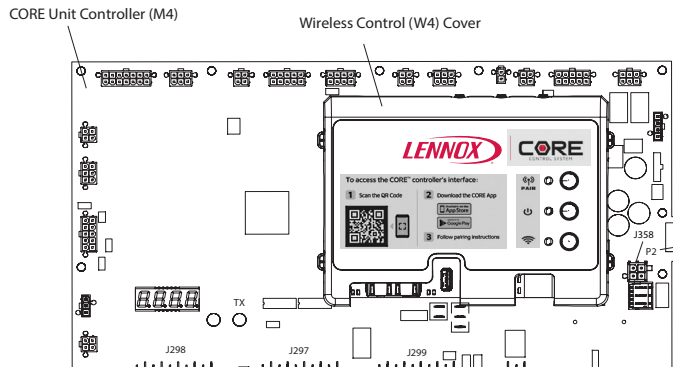
©2021 Lennox Industries Inc.  
Dallas, Texas, USA

# CONTROLS KITS AND ACCESSORIES

508157-01  
3/2021

## W4 Control Cover Replacement Kit

### INSTALLATION INSTRUCTIONS FOR W4 CONTROL COVER REPLACEMENT KIT (22A60) FOR USE WITH LENNOX® CORE UNIT CONTROLLER (M4)



#### Shipping and Packing List

Package 1 of 1 contains:  
1 - W4 Control Cover

#### Installation

**! IMPORTANT**  
A Phillips head screwdriver is required to remove the old C4 control from the RTU mounting panel.

The W4 control cover is compatible only with the CORE unit controller (M4).

1. Disconnect power to the RTU unit.
2. Remove the W4 control cover - Insert a flat screwdriver into the loops located on the side edges of the cover and gently pry tabs out to release the cover from the W4 control.

**! CAUTION**  
Electrostatic discharge can affect electronic components. Take precautions during unit installation and service to protect the unit's electronic controls. Precautions will help to avoid control exposure to electrostatic discharge by putting the unit, the control and the technician at the same electrostatic potential. Neutralize electrostatic charge by touching hand and all tools on an unpainted unit surface before performing any service procedure.

**! IMPORTANT**  
Improper installation, adjustment, alteration, service or maintenance can cause personal injury, loss of life, or damage to property.  
Installation and service must be performed by a licensed professional installer (or equivalent) or a service agency.

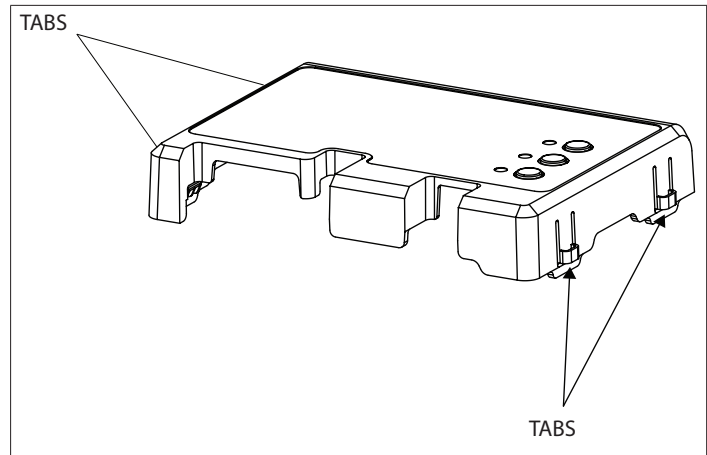


Table 1. W4 Control Cover Tab Locations

3. Install replacement W4 control cover.
4. Restore all power to the unit.



508157-01