

Job: \_\_\_\_\_  
 Location: \_\_\_\_\_  
 Schedule No.: \_\_\_\_\_  
 System Designation: \_\_\_\_\_

Engineer: \_\_\_\_\_  
 Architect: \_\_\_\_\_  
 Location: \_\_\_\_\_  
 Date: \_\_\_\_\_

## Heat Recovery Outdoor Unit

For:	Reference	Approval	Review	Construction
------	-----------	----------	--------	--------------

### FEATURES

- Split coil heat exchanger
- Intelligent Duty Cycle operation
- Built-in base pan heater
- Dual hinged electrical boxes for ease of maintenance
- Night Silent operation
- Heating Operation down to -22F
- High-efficiency vapor injection inverter compressor
- Hinged service doors
- Low Ambient Cooling down to -10F w/ kit
- Built-in service console

### WARRANTY

- Compressor - 10-year limited warranty
- All other components - 10-year limited warranty
- \*See warranty for details

### SPECIFICATIONS

#### PERFORMANCE

Cooling Capacity <sup>1</sup> (Btu/h)	Nominal	312,000
	Rated <sup>2</sup>	298,000
EER	Ducted	10.4
	Non-Ducted	10.7
IEER	Ducted	18.0
	Non-Ducted	19.3
SCHE	Ducted	27.2
	Non-Ducted	29.5
Heating Capacity <sup>1</sup> (Btu/h)	Nominal	351,000
	Rated <sup>2</sup>	334,000
COP47	Ducted	3.66
	Non-Ducted	3.59
COP17	Ducted	2.46
	Non-Ducted	2.30

#### ELECTRICAL DATA

Power Supply (Volts/Phase/Hertz)	460/3/60
Minimum Circuit Ampacity (A)	(2) 43+27.5
Maximum Overcurrent Protection (A)	(2) 45+30
Compressor RLA (A)	(2) 17/17+19.4
Number of Compressors	2+2+1
Outdoor Fan Power Input (W)	(2) 1200/1200+750/850
Outdoor Fan FLA (A)	(2) 2.2/2.4+1.4/1.6

#### GENERAL DATA

Connection Ratio	50% to 130%
Maximum Number of Indoor Units	57
Refrigerant Type	R-410A
Factory Refrigerant Charge (each unit)	23.8 lbs.

#### NOTES

- Cooling and Heating capacity data is rated at the following conditions:  
 Cooling: 80°FDB / 67°FWB Indoor, 95°FDB Outdoor  
 Heating: 70°FDB Indoor, 47°FDB / 43°FWB Outdoor.
- Complies with AHRI 1230-2014 testing standards
- Operating Voltage Range 410V to 525V
- To achieve cooling lower than 5°F a Low ambient hood must be installed. This is purchased as an accessory.
- A local 115V power outlet is available as an accessory to provide local power for maintenance.



DIMENSIONS		VRB120	VRB120	VRB072
Unit	Height	72	72	64-3/8
Dimensions (in)	Width	68-1/2	68-1/2	52-3/4
	Depth	32-5/8	32-5/8	31-1/2

#### Main System Piping (in)

Liquid Pipe Connection	3/4	3/4	5/8
Gas Pipe Connection	1-1/4	1-1/4	1

#### Balancing Pipework between Modules (in)

L.P. Gas Balance Pipe Connection	1-1/4	1-1/4	1-1/8
H.P. Gas Balance Pipe Connection	3/4	3/4	3/4
Oil Balance Pipe Connection	5/16	5/16	5/16
Unit Net Weight (lb)	1076	1076	800



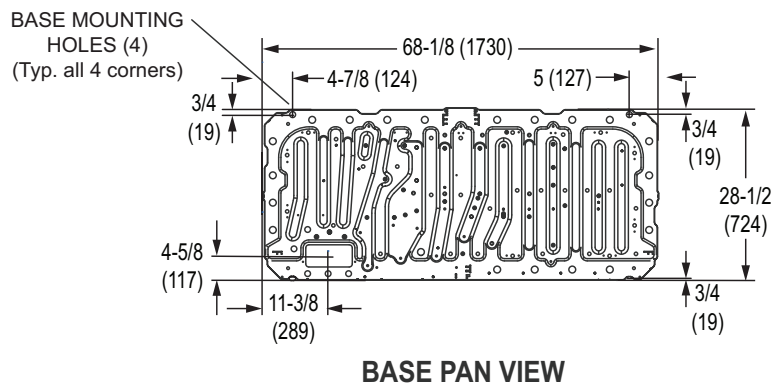
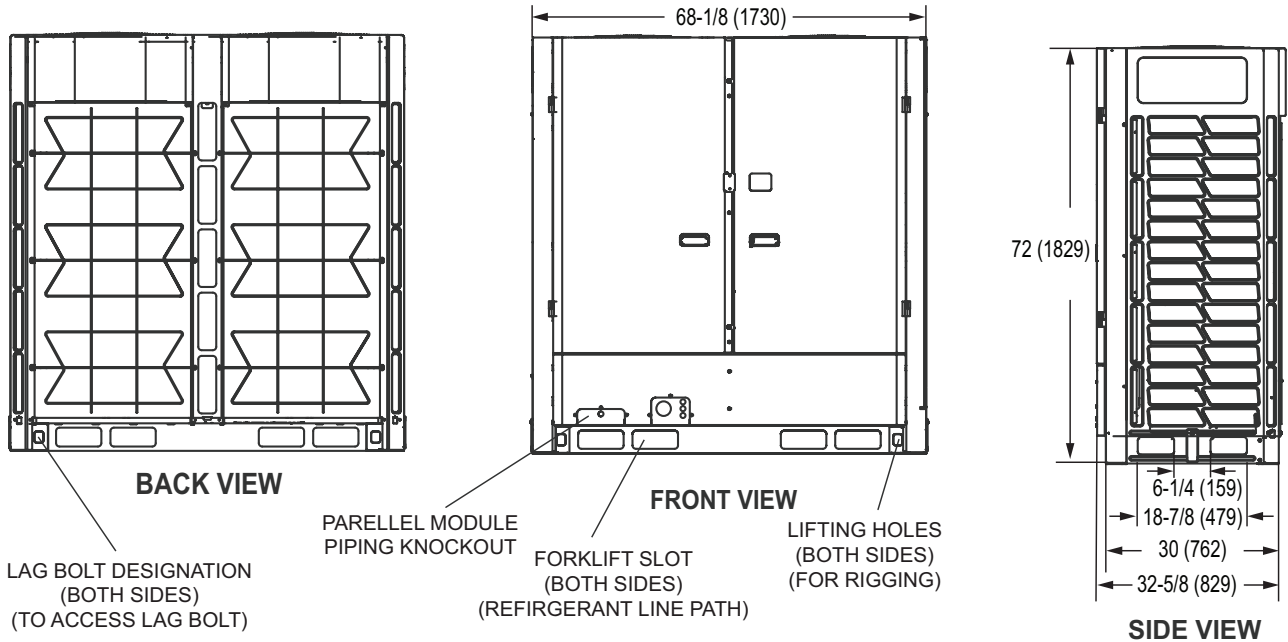
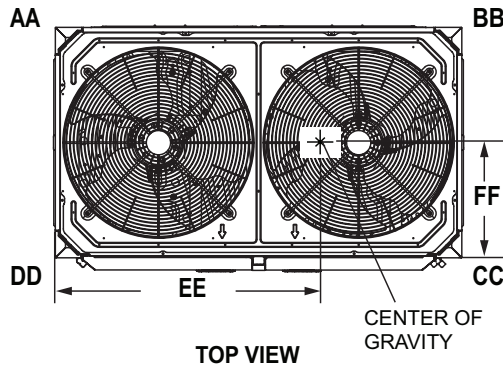
NOTE - Due to Lennox' ongoing commitment to quality, Specifications, Ratings and Dimensions subject to change without notice and without incurring liability.

Improper installation, adjustment, alteration, service or maintenance can cause property damage or personal injury. Installation and service must be performed by a qualified installer and servicing agency.

**SUBMITTAL DATA - OUTDOOR UNIT**  
**VRB312L4M-3G**  
**VRB120L4M-3G + VRB120L4M-3G+VRB072L4M-3G**  
**VRF Heat Recovery**

**DIMENSIONAL DRAWINGS - INCHES (MM)**

Model No.	CORNER WEIGHTS								CENTER OF GRAVITY			
	AA		BB		CC		DD		EE		FF	
	lbs.	kg	lbs.	kg	lbs.	kg	lbs.	kg	in.	mm	in.	mm
VRB120L4	173	80	266	122	332	153	323	148	37-1/2	953	12	305



NOTE - Due to Lennox' ongoing commitment to quality, Specifications, Ratings and Dimensions subject to change without notice and without incurring liability. Improper installation, adjustment, alteration, service or maintenance can cause property damage or personal injury. Installation and service must be performed by a qualified installer and servicing agency.

# SUBMITTAL DATA - OUTDOOR UNIT

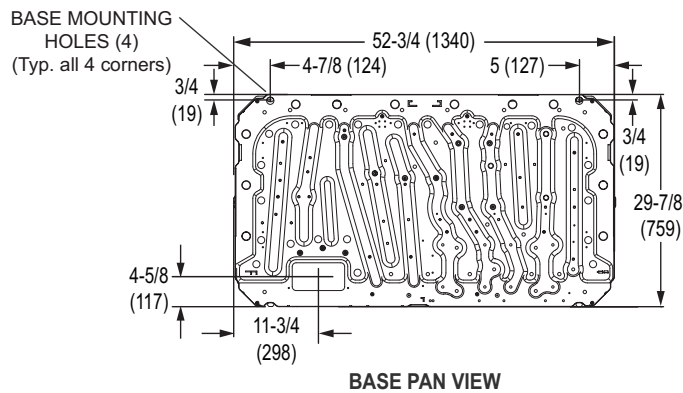
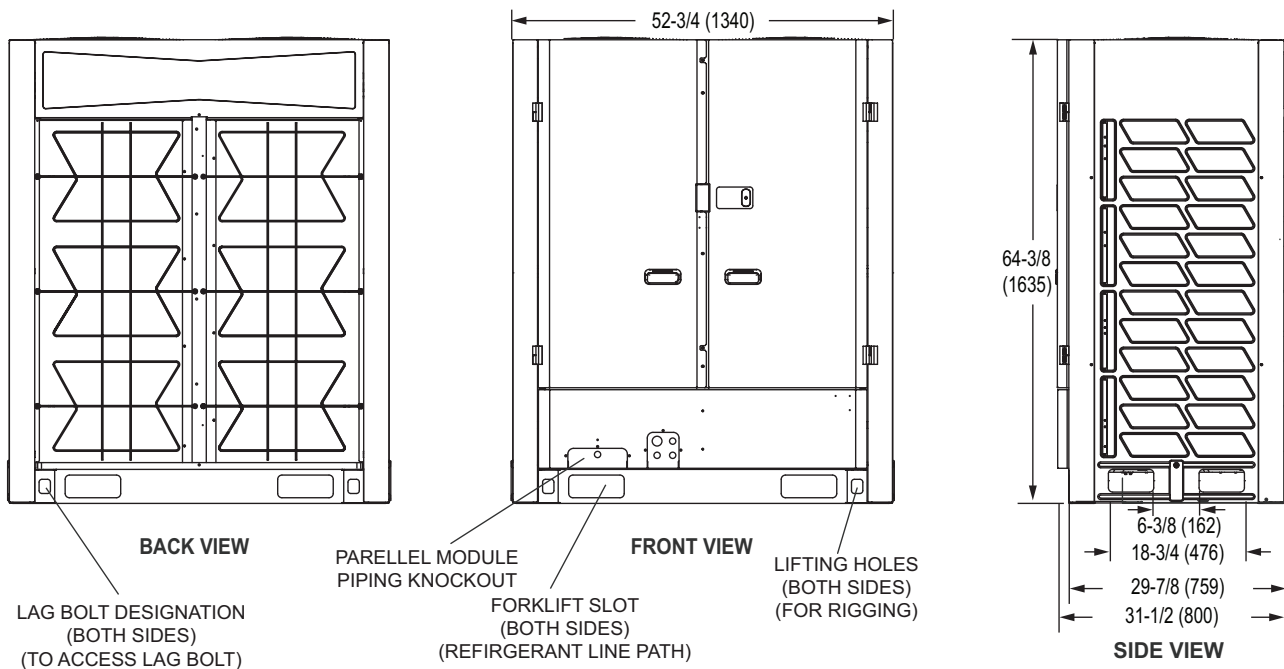
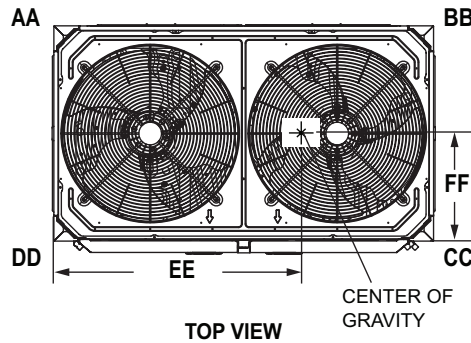
## VRB312L4M-3G

### VRB120L4M-3G + VRB120L4M-3G+VRB072L4M-3G

#### VRF Heat Recovery

DIMENSIONAL DRAWINGS - INCHES (MM)

CORNER WEIGHTS									CENTER OF GRAVITY			
Model No.	AA		BB		CC		DD		EE		FF	
	lbs.	kg	lbs.	kg	lbs.	kg	lbs.	kg	in.	mm	in.	mm
VRB072L4	124	57	207	95	215	99	256	118	27-3/4	705	12-1/4	311

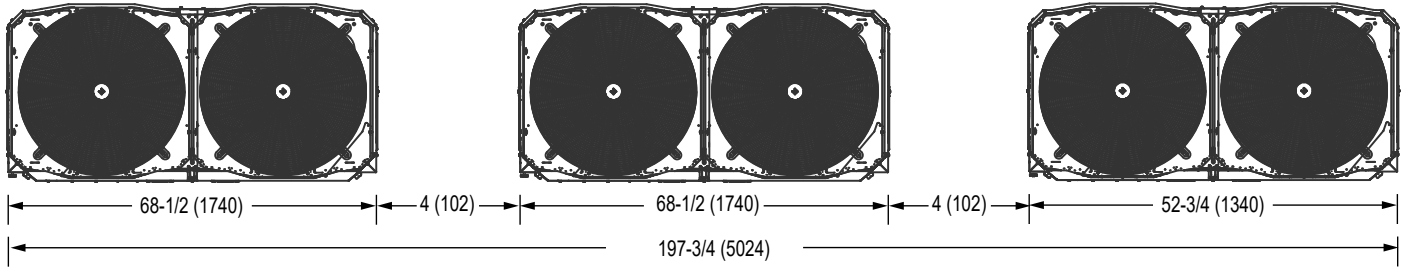


NOTE - Due to Lennox' ongoing commitment to quality, Specifications, Ratings and Dimensions subject to change without notice and without incurring liability. Improper installation, adjustment, alteration, service or maintenance can cause property damage or personal injury. Installation and service must be performed by a qualified installer and servicing agency.

**SUBMITTAL DATA - OUTDOOR UNIT**  
**VRB312L4M-3G**  
**VRB120L4M-3G + VRB120L4M-3G+VRB072L4M-3G**  
**VRF Heat Recovery**

**MULTI-MODULE INFORMATION**

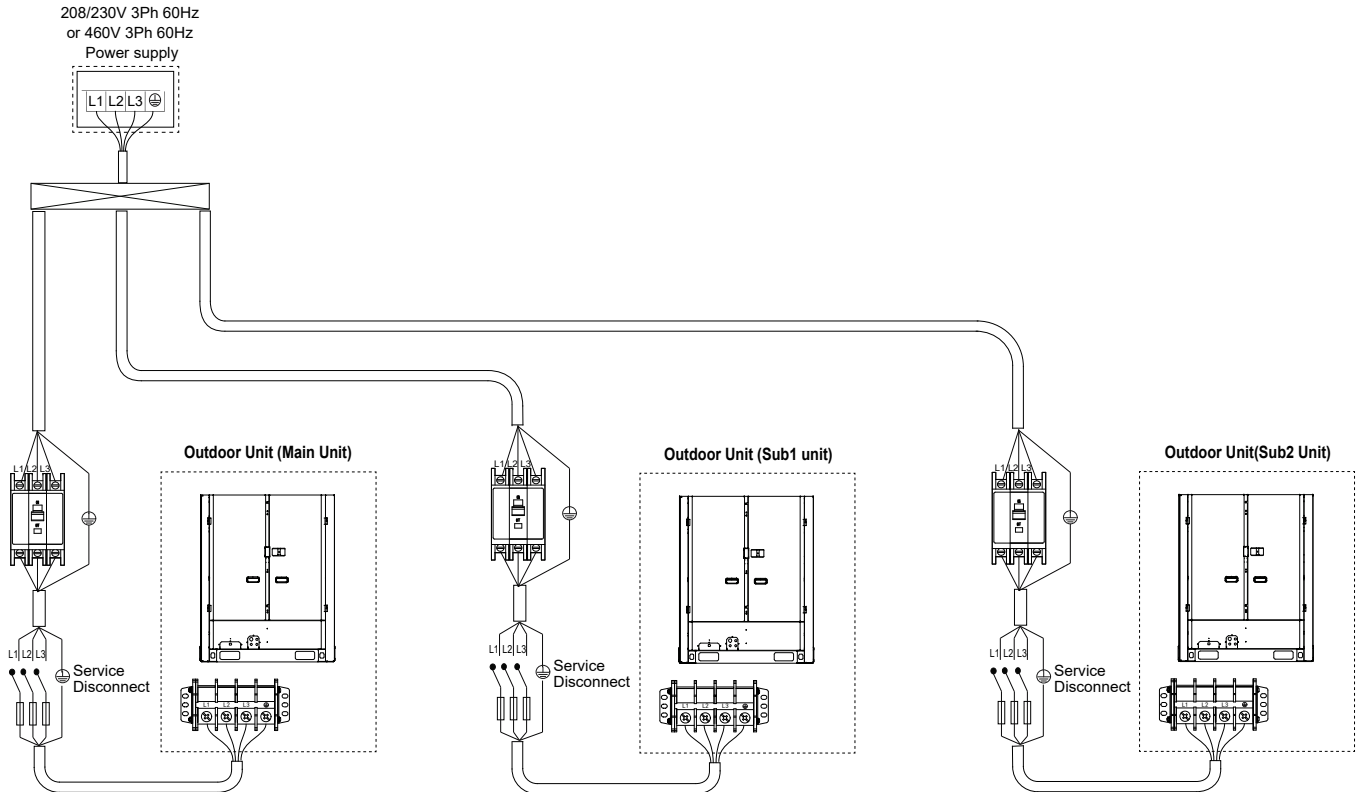
**Multi-Module Dimensions**



**NOTE - All the outdoor units manifolded together should be installed at the same elevation.**

**TOP VIEW**

**Multi-Module Power**



See page 1 for electrical data.  
 Total system MCA is calculated by adding the MCA value of each module together to get the total system MCA.  
 Total system MOP is calculated by adding the MOP value of each module together to get the total system MCA.