

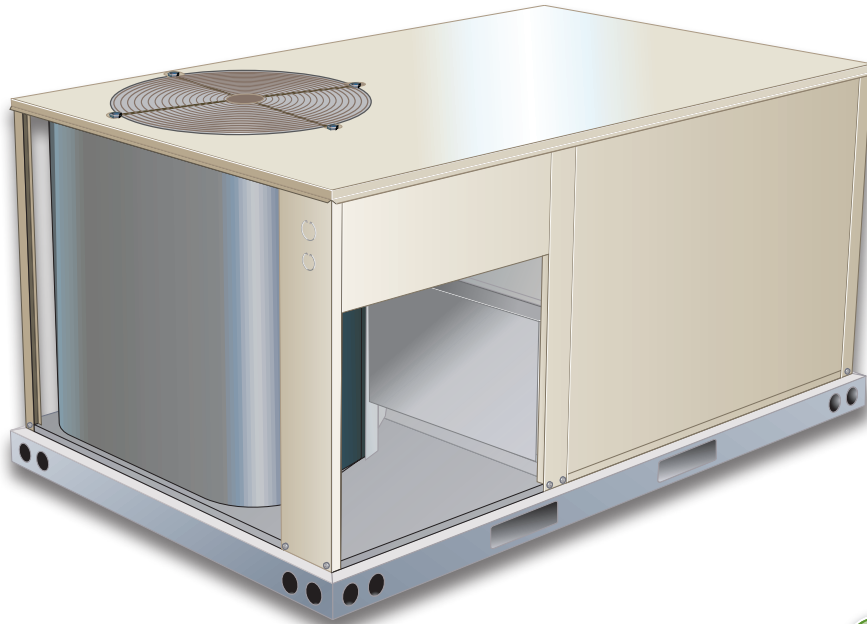


**ZCB**

**Raider® Rooftop Units  
Standard Efficiency - 60 Hz**

**COMMERCIAL  
PRODUCT SPECIFICATIONS**

Bulletin No. 210998  
March 2023  
Supersedes October 2022



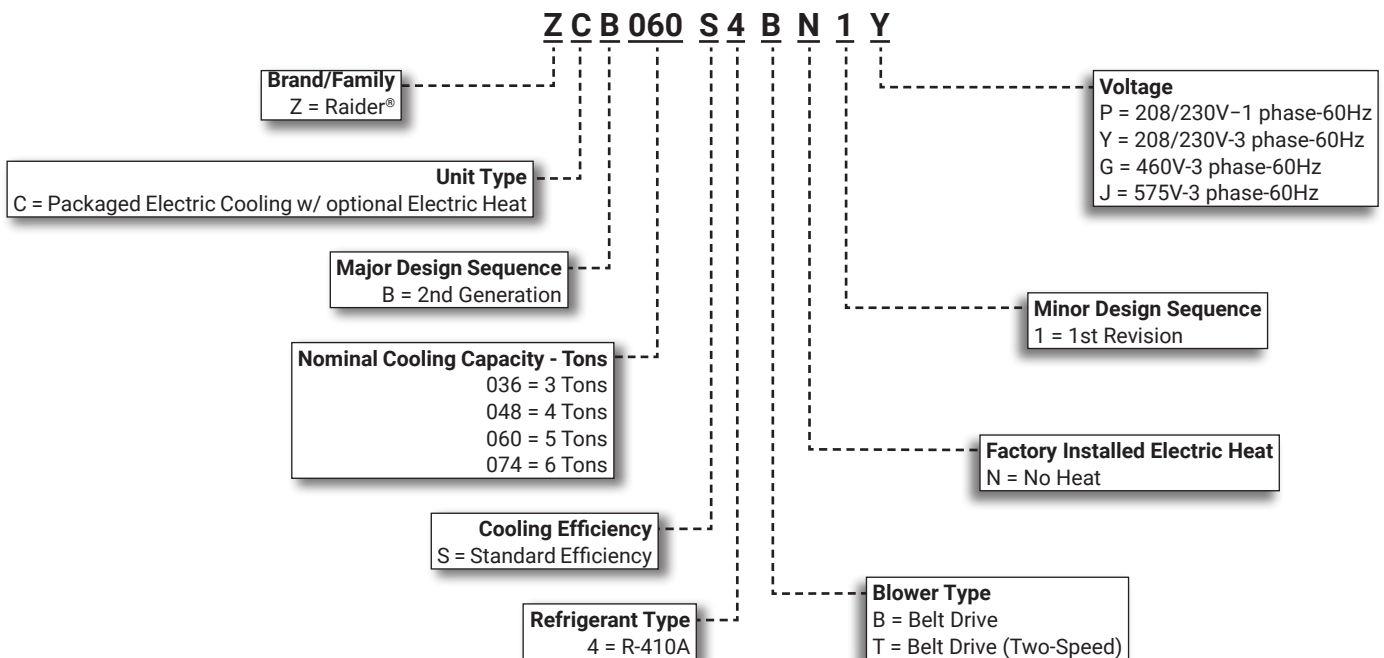
**RAIDER**



**ASHRAE 90.1  
COMPLIANT**

**3 to 6 Tons  
Net Cooling Capacity - 35,000 to 67,000 Btuh  
Optional Electric Heat - 5 to 30 kW**

**MODEL NUMBER IDENTIFICATION**

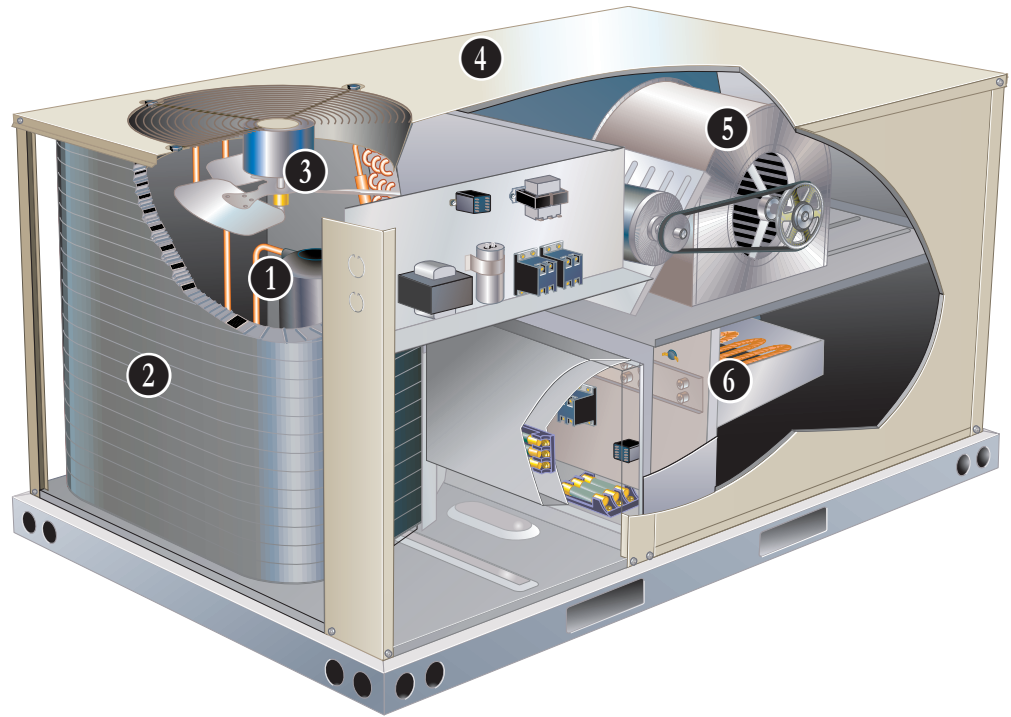


NOTE - This document applies to all ZCB 3-6 Ton Raider® products built on or after January 1st, 2023.

## FEATURE HIGHLIGHTS

Raider® rooftop units from Lennox Commercial are the new standard for cost efficient reliable, efficient rooftop units built for long-lasting performance that can significantly improve indoor environments.

1. Scroll Compressor
2. Environ™ Coil System
3. Outdoor Coil Fan Motor
4. Heavy Gauge Steel Cabinet
5. Supply Air Blower
6. Electric Heat (option)



## CONTENTS

Approvals And Warranty . . . . .	3
Blower Data . . . . .	16
Dimensions - Accessories . . . . .	31
Dimensions - Unit . . . . .	30
Electrical/Electric Heat Data . . . . .	23
Electric Heat Capacities . . . . .	27
Features And Benefits . . . . .	3
Model Number Identification. . . . .	1
Optional Conventional Temperature Control Systems . . . . .	8
Options / Accessories . . . . .	9
Outdoor Sound Data . . . . .	27
Ratings . . . . .	14
Specifications . . . . .	12
Unit Clearances . . . . .	28
Weight Data . . . . .	29

## APPROVALS AND WARRANTY

### **APPROVALS**

- AHRI Certified to AHRI Standard 210/240 (3 - 5 ton models)
- AHRI Standard 340/360 (6 ton models)
- CSA certified and listed
- Unit and components are ETL, NEC, and CEC bonded for grounding to meet safety standards for servicing
- All models are ASHRAE 90.1 compliant
- All models meet DOE 2023 energy efficiency standards
- All models meet California Code of Regulations, Title 24 and ASHRAE 90.1 Section 6.4.3.10 requirements for staged airflow
- ISO 9001 Registered Manufacturing Quality System

### **WARRANTY**

- Compressors - Limited five years
- Environ™ Coil System - Limited three years
- High Performance Economizers (optional) - Limited five years
- All other covered components - Limited one year

## FEATURES AND BENEFITS

### **COOLING SYSTEM**

- Designed to maximize sensible and latent cooling performance at design conditions
- System can operate from 35°F to 125°F without any additional controls

### **R-410A Refrigerant**

- Non-chlorine based
- Ozone friendly

### **1 Single-Stage Scroll Compressor (036 through 060 Models)**

- Resiliently mounted on rubber grommets for quiet operation
- Scroll compressor for high performance, reliability and quiet operation

### **Two-Stage Compressor (074 Models)**

- Two-stage scroll compressors for increased part load efficiency, high performance, reliability and quiet operation
- Resiliently mounted on rubber grommets for quiet operation

### **Compressor Crankcase Heater**

- Protects against refrigerant migration that can occur during low ambient operation or during extended off cycles

### **Refrigerant Metering Orifice (036 to 060 Models)**

- Accurately meters refrigerant in system
- Refrigerant control is accomplished by exact sizing of refrigerant metering orifice

### **Thermal Expansion Valve (074 Models)**

- Ensures optimal performance throughout the application range.
- Removable element head

### **Filter/Drier**

- High capacity filter/drier protects the system from dirt and moisture

### **High Pressure Switch**

- Protects the compressor from overload conditions such as dirty condenser coils, blocked refrigerant flow or loss of outdoor fan operation
- Automatic reset

### **2 Condenser Coil - Environ™ Coil System**

Lightweight, all aluminum brazed fin construction

- Constructed of three components:
  - A flat extrusion tube
  - Fins in-between the flat extrusion tube
  - Two refrigerant manifolds

### **Environ™ Coil System Features:**

- Improved heat transfer performance due to high primary surface area (flat tubes) versus secondary surface (fins)
- Smaller internal volume (reduced refrigerant charge)
- High durability (all aluminum construction)
- Fewer brazed joints
- Compact design (reduces unit weight)
- Easy maintenance/cleaning
- Mounting brackets with rubber inserts secure coil to unit providing vibration dampening and corrosion protection

## FEATURES AND BENEFITS

### **COOLING SYSTEM (continued)**

#### Evaporator Coil

- Copper tube construction
- Enhanced rippled-edge aluminum fins
- Flared shoulder tubing connections
- Silver soldered construction
- Factory leak tested
- Cross-row circuiting with rifled tubing

#### Antimicrobial Condensate Drain Pan

- Composite pan, sloped to meet drainage requirements of ASHRAE 62.1
- Antimicrobial additive resists growth of mold and mildew on drain pan, which improves indoor air quality and reduces drain line blockage
- End drain connection

### **3 Outdoor Coil Fan Motor**

- Thermal overload protected
- Totally enclosed
- Permanently lubricated bearings
- Shaft down
- Fan guard mount

#### Outdoor Coil Fan Guard

- PVC coated fan guard furnished

### Required Selections

#### Cooling Capacity

- Specify nominal cooling capacity

### Options/Accessories

#### **Field Installed**

##### Condensate Drain Trap

- Available in copper or PVC

##### Drain Pan Overflow Switch

- Monitors condensate level in drain pan
- Shuts down unit if drain becomes clogged

##### Low Ambient Kit (0°F)

- Cycles the outdoor fans while allowing compressor operation in the cooling cycle
- Intermittent fan operation allows the system to operate without icing the evaporator coil and losing capacity
- Designed for use in ambient temperatures no lower than 0°F

### **CABINET**

#### Construction

- 4** • Heavy-gauge steel panels
- Full perimeter heavy-gauge galvanized steel base rail
- Base rails have rigging holes
- Three sides of the base rail have forklift slots
- Raised edges around duct and power entry openings in the bottom of the unit for water protection

#### Airflow Choice

- Units are shipped in downflow (vertical) return air flow configuration

**NOTE** - Units can be field converted to horizontal airflow.

#### Power Entry

- Electrical lines can be routed through the unit base or through horizontal access knock-outs

**NOTE** - Optional Bottom Power Entry Kit is available.

#### Exterior Panels

- Constructed of heavy-gauge, galvanized steel
- Textured pre-paint with polyurethane finish
- Cyclic salt fog and UV exposure up to 1,680 hours per ASTM D5894

#### Insulation

- Fully insulated with non-hygroscopic fiberglass insulation (conditioned areas)

#### Access Panels

- Compressor
- Heating
- Controls
- Blower
- Air filter/economizer section

### Options/Accessories

#### **Factory Installed**

##### Corrosion Protection

- Completely flexible immersed coating
- Electrodeposited dry film process (AST ElectroFin E-Coat)
- ASTM B117 / DIN 53167 Salt Spray - 15,000+ hours
- ASTM G85 Annex A3 SWAAT Modified Salt Spray - 3000 hours
- VA Master Construction Specification Division 23 for High Humidity Installations
- CID AA-52474A (GSA)
- Indoor Corrosion Protection:
  - Coated coil
- Outdoor Corrosion Protection:
  - Coated coil

#### **Field Installed**

##### Combination Coil/Hail Guards

- Heavy gauge steel frame
- Painted to match cabinet
- Expanded metal mesh protects outdoor coil

## FEATURES AND BENEFITS

### **CONTROLS**

#### Unit Control

- All control voltage is provided via a 24V (secondary) transformer with inline fuse protection
- **Heat/Cool Staging** - Capable of up to 1 heat / 2 cool staging with a thermostat

#### Options/Accessories

### **Field Installed**

#### Smoke Detectors

**NOTE** - Smoke detectors are not available and must be field provided by installer.

### **Commercial Control Systems**

#### Thermostats

- Control system and thermostat options, see page 8

### **BLOWER**

A wide selection of supply air blower options are available to meet a variety of air flow requirements

#### Motor

- Overload protected
- Ball bearings
- Belt drive motors are offered on all models and are available in several different sizes to maximize air performance
- Two-speed belt drive motor (low static/high static) is available on 074 models

#### **5** Supply Air Blower

- Forward curved blades
- Blower wheel statically and dynamically balanced.
- Ball bearings
- Adjustable pulley (allows speed change)

#### Required Selections

#### Supply Air Blower

- Order blower motor horsepower and drive kit number required when base unit is ordered
- See Drive Kit Specifications Table

### **ELECTRICAL**

#### Marked & Color-Coded Wiring

- All electrical wiring is color-coded and marked to identify which components it is connecting

#### Electrical Plugs

- Positive connection electrical plugs are used to connect common accessories or maintenance parts for easy removal or installation

#### Required Selections

#### Voltage Choice

- Specify when ordering base unit

### **Field Installed**

#### Bottom Power Entry Kit

- Kit reduces the number of penetrations in the roof
- Kit includes bulkhead connectors to provides power and control wiring routing through the roof curb

#### **6** Electric Heat

- Helix wound nichrome elements
- Individual element limit controls
- Wiring harness

**NOTE** - See Options / Accessories tables for ordering information.

**NOTE** - Unit Fuse Block is required and must be ordered separately. See Electrical / Electric Heat tables for ordering information.

### **INDOOR AIR QUALITY**

#### Air Filters

- Disposable 2 inch MERV 4 filters furnished as standard

#### Options/Accessories

### **Field Installed**

#### Indoor Air Quality (CO<sub>2</sub>) Sensor

- Monitors CO<sub>2</sub> levels adjusts economizer dampers as needed for Demand Control Ventilation

## OPTIONS / ACCESSORIES

### ECONOMIZER

#### Economizer (Downflow or Horizontal) (Standard and High Performance Common Features)

- Outdoor Air Hood is furnished
- Includes Barometric Relief Dampers with Exhaust Hood
- Barometric Relief Dampers allow relief of excess air,
- Aluminum blade dampers prevent blow back and outdoor air infiltration during off cycle
- Exhaust hood with bird screen furnished
- Demand Control Ventilation (DCV) ready using optional CO<sub>2</sub> sensors
- Single temperature control is furnished with Economizer
- Outdoor air sensor enables Economizer if the outdoor temperature is less than the setpoint of the control

**NOTE** - Horizontal Economizer is field installed only.

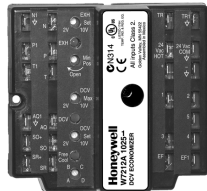
#### Field Installed

##### Standard Economizer Features (Not for Title 24)

- Gear-driven action
- Return air and outdoor air dampers
- Plug-in connections to unit
- Nylon bearings
- Neoprene seals
- 24-volt
- Fully-modulating spring return motor

##### Standard Economizer Control Module

The Standard Economizer Control Module can be adjusted to operate based on outdoor air temperatures



##### Economizer Controls:

- **Damper Minimum Position** - Can be set lower than traditional minimum air requirements resulting in cost savings
- **IAQ Sensor** - Signals dampers to modulate and maintain 55°F when CO<sub>2</sub> is higher than the CO<sub>2</sub> setpoint
- **Demand Control Ventilation (DCV) LED** - A steady green Demand Control Ventilation LED indicates the IAQ reading is higher than setpoint and requires more fresh air
- **Free Cool LED** - A steady green LED indicates outdoor air is suitable for free cooling

**NOTE** - Free Cooling runs when outdoor air temperature is lower than the set temperature on the economizer control.

**NOTE:** The Free Cooling default setting for outdoor air temperature sensor is 55°F.

### Factory or Field Installed

#### High Performance Economizer Features

- Approved for California Title 24 building standards
- Low leakage dampers are Air Movement and Control Association International (AMCA) Class 1A Certified - Maximum 3 CFM per sq. ft. leakage at 1 in. w.g.
- ASHRAE 90.1-2010 compliant
- Gear-driven action
- High torque 24-volt fully-modulating spring return damper motor
- Return air and outdoor air dampers
- Plug-in connections to unit
- Stainless steel bearings
- Enhanced neoprene blade edge seals
- Flexible stainless steel jamb seals minimize air leakage

**NOTE** - High Performance Economizers are not approved for use with enthalpy controls in Title 24 applications.

**NOTE** - The Free Cooling setpoint for Title 24 applications must be set based on the Climate Zone where the system is installed. See Section 140.4 "Prescriptive Requirements for Space Conditioning Systems" of the California Energy Commission's 2013 Building Energy Efficiency Standards. Refer to Installation Instructions for complete setup information and menu parameters available.

#### High Performance Economizer Control Module

- Module provides inputs and outputs to control economizer based on parameter settings
- Module automatically detects sensors by polling to determine which sensors are installed in system
- Module displays any alarm messages (fault detection and diagnostics) as an aid in troubleshooting
- Non-volatile memory retains parameter settings in case of power failure
- Keypad with four navigation buttons and LCD screen is furnished for setting economizer parameters
  - Menu Up/Exit (↑) button returns to the main menu
  - Arrow Up (▲) button moves to the previous or next parameter within the selected menu
  - Arrow Down (▼) button moves to the next parameter within the selected menu
  - Select (enter) (↵) button confirms parameter selection





## OPTIONS / ACCESSORIES

### **ECONOMIZER (continued)**

#### High Performance Economizer Control Module (continued)

##### Main Menu Structure:

- STATUS (economizer and system operation status)
- SETPOINTS (settings for various setpoint parameters)
- SYSTEM SETUP (settings/information about the system)
- ADVANCED SETUP (freeze protection, CO<sub>2</sub> settings, stage 3 delay, and additional calibration settings)
- CHECKOUT (damper positions)
- ALARMS (output signal that can be configured for remote alarm monitoring)

**NOTE** - Refer to Installation Instructions for complete setup information and menu parameters available.

### **Field Installed**

#### Single Enthalpy Temperature Control (Not for Title 24)

- Outdoor air enthalpy sensor enables Economizer if the outdoor enthalpy is less than the setpoint of the control

### **EXHAUST**

#### **Field Installed**

##### Power Exhaust Fan - Downflow or Horizontal

- Installs external to unit for applications with Economizer option
- Provides exhaust air pressure relief
- Interlocked to run when supply air blower is operating
- Fan runs when outdoor air dampers are 50% open (adjustable)
- Motor is overload protected
- Fan is 12 in. diameter
- Five fan blades
- 1/2 hp motor.

### **OUTDOOR AIR**

#### **Field Installed**

##### Outdoor Air Dampers - Downflow

- Single blade damper
- 0 to 25% (fixed) outdoor air adjustable
- Installs in unit
- Motorized model features fully modulating spring return damper motor with plug-in connection
- Manual model features a slide damper

**NOTE** - Maximum mixed air temperature in cooling mode is 100°F.

### **ROOF CURBS**

#### **Field Installed**

##### Hybrid Roof Curbs, Downflow

- Nail strip furnished; mates to unit
- US National Roofing Contractors approved
- Shipped knocked down
- Interlocking tabs fasten corners together
- No tools required for assembly
- Can also be fastened together with furnished hardware
- Available in 8, 14, 18, and 24 inch heights

##### Adaptor Curbs (not shown)

- Curbs are regionally sourced
- Dimensions will vary based upon the source

**NOTE** - Contact your local sales representative for a detailed cut sheet with applicable dimensions

### **CEILING DIFFUSERS**

#### **Field Installed**

- Flush or Step-Down
- White powder coat finish on diffuser face and grilles
- Insulated UL listed duct liner
- Diffuser box has collars for duct connection
- Step-down diffusers have double deflection blades
- Flush diffusers have fixed blades
- Provisions for suspending
- Internally sealed to prevent recirculation
- Removable return air grille
- Adapts to T-bar ceiling grids or plaster ceilings

##### Transitions (Supply and Return)

**NOTE** - Ceiling Diffuser Transitions are not furnished and must be field fabricated.

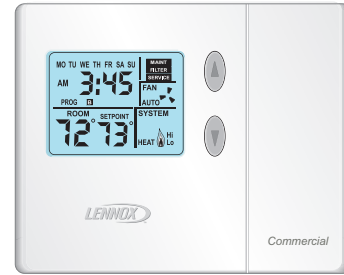
## OPTIONAL CONVENTIONAL TEMPERATURE CONTROL SYSTEMS

### CS7500 Commercial 7-Day Programmable Thermostat



- Premium Universal Thermostat
- Full Color Touchscreen Interface
- Up To 4 Heat / 3 Cool
- Built-In Sensors For Temperature and Humidity
- Remote Sensors Options For Temperature, Discharge Air, Outdoor Air
- 5-2 or 7-Day Scheduling
- Smooth Setback Recovery
- Heat/Cool Auto-Changeover
- FDD, ASHRAE, IECC Compliant

### CS3000 Commercial 5-2 Day Programmable Thermostat



- Conventional Multi-Stage Thermostat
- Intuitive Display
- Push-Button Operation
- Up To 2 Heat / 2 Cool
- Built-In Temperature Sensor
- Remote Temperature Sensing
- Up to 5-2 Day Scheduling
- Smooth Setback Recovery
- Heat/Cool Auto-changeover

### BACnet Compatible Thermostat With Reheat



Description	Catalog No.
<b>CS7500 Commercial 7-Day Programmable Thermostat</b>	
CS7500 7-Day Thermostat	<b>24K41</b>
Sensors/	<sup>1</sup> Remote non-adjustable wall-mount 20k <b>47W36</b>
Accessories	<sup>1</sup> Remote non-adjustable wall-mount 10k <b>47W37</b>
	Remote non-adjustable discharge air (duct mount) <b>19L22</b>
	Outdoor temperature sensor <b>X2658</b>
<b>CS3000 5-2 Day Programmable Thermostat</b>	
CS3000 5-2 Day Thermostat	<b>11Y05</b>
Sensor/	Remote non-adjustable wall mount 10k averaging <b>47W37</b>
Accessories	Thermostat wall mounting plate <b>X2659</b>
<b>BACnet 7-Day Programmable Thermostat</b>	
BACnet	<sup>2</sup> 7-Day BACnet Thermostat <b>24C57</b>
Controls	<sup>3</sup> BACnet Module (factory or field) <b>16X70</b>
<sup>4</sup> BACnet	With Display <b>97W23</b>
Room Sensors	Without Display <b>97W24</b>
<b>Universal Thermostat Guard with Lock (clear)</b>	
Inside Dimensions (H x W x D)	5-7/8 x 8-3/8 x 3 in. <b>39P21</b>

- 7-Day Programmable
- For units with or without Humiditrol®
- BTL listed MS/TP ensures compatibility with any BACnet system
- Built-in control programs for conventional and heat pump applications
- Conventional systems up to 3-stage heat and 3-stage cool
- Heat pumps with 1 or 2 compressors and up to 2-stage auxiliary heat
- On-board temperature and humidity sensor
- Multiple configurable inputs and outputs enable advanced control strategies
- Set-up Wizard enables rapid system configuration
- No special tools required for installation or commissioning
- Seven-day (2, 4 or 6 event) occupancy scheduling per day
- Backlit 5-inch LCD touchscreen

<sup>1</sup> Remote wall-mount sensors can be applied in any of the following combinations:  
 One Sensor - (1) 47W36, Two Sensors - (2) 47W37, Three Sensors - (2) 47W36 and (1) 47W37  
 Four Sensors - (4) 47W36, Five Sensors - (3) 47W36 and (2) 47W37

<sup>2</sup> BACnet Thermostat (24C57) will control units with and without the Humiditrol® option.  
 If there is a mix of units equipped with and without Humiditrol on the same site, this thermostat can be used for all units if suitable.

<sup>3</sup> Not compatible with units equipped with Humiditrol® option.

<sup>4</sup> Only compatible with BACnet Module (16X72).



## OPTIONS / ACCESSORIES

Item	Catalog No.	Unit Model No.				
		ZCB 036	ZCB 048	ZCB 060	ZCB 074	
<b>COOLING SYSTEM</b>						
Condensate Drain Trap	PVC	<b>22H54</b>	X	X	X	X
	Copper	<b>76W27</b>	X	X	X	X
Drain Pan Overflow Switch		<b>99W59</b>	X	X	X	X
Low Ambient Kit		<b>99W67</b>	X	X	X	X
<b>BLOWER - SUPPLY AIR</b>						
Motors	Belt Drive - 0.75 hp (208/230V-1ph)	Factory	O	O	O	
	Belt Drive - 1 hp (208/230V, 460V, 575V-3ph)	Factory	O	O	O	
	Belt Drive - 1.5 hp (208/230V-1ph or 3 ph, 460V, 575V-3ph)	Factory	O	O	O	
	Belt Drive - 2 hp (208/230V, 460V, 575V-3ph) (2 Speed)	Factory				O
Drive Kits See Blower Data Tables for selection	Kit #ZA01 - 678-1035 rpm	Factory	O			
	Kit #ZA02 - 803-1226 rpm	Factory		O		
	Kit #ZA03 - 906-1383 rpm	Factory			O	
	Kit #ZA04 - 964-1471 rpm	Factory	O			
	<sup>1</sup> Kit #ZA05 - 1098-1490 rpm	Factory		O		
	<sup>1</sup> Kit #ZA06 - 1262-1634 rpm	Factory			O	
	Kit #ZAA02 - 632-875 rpm	Factory				O
	Kit #ZAA03 - 798-1105 rpm	Factory				O
Kit #ZAA04 - 921-1226 rpm	Factory				O	
<b>CABINET</b>						
Coil/Hail Guards		<b>12X19</b>	X	X		
		<b>12X20</b>			X	X
Corrosion Protection		Factory	O	O	O	O
<b>ELECTRICAL</b>						
Voltage 60 Hz	208/230V - 1 phase	Factory	O	O	O	
	208/230V - 3 phase	Factory	O	O	O	O
	460V - 3 phase	Factory	O	O	O	O
	575V - 3 phase	Factory	O	O	O	O
Bottom Power Entry Kit		<b>98W08</b>	X	X	X	X

<sup>1</sup> 1.5 hp blower motor is required with the ZA05 and ZA06 drive kits.

NOTE - The catalog numbers that appear here are for ordering field installed accessories only.

OX - Field Installed or Configure to Order (factory installed)

O - Configure to Order (Factory Installed)

X - Field Installed.

## OPTIONS / ACCESSORIES

Item	Catalog No.	Unit Model No.				
		ZCB 036	ZCB 048	ZCB 060	ZCB 074	
<b>ELECTRIC HEAT</b>						
5 kW	208/240V-1ph	<b>98W96</b>	X	X	X	
	208/240V-3ph	<b>99W01</b>	X	X	X	
	460V-3ph	<b>99W06</b>	X	X	X	
	575V-3ph	<b>99W11</b>	X	X	X	
7.5 kW	208/240V-1ph	<b>98W97</b>	X	X	X	
	208/240V-3ph	<b>99W02</b>	X	X	X	X
	460V-3ph	<b>99W07</b>	X	X	X	X
	575V-3ph	<b>99W12</b>	X	X	X	X
10 kW	208/240V-1ph	<b>98W98</b>	X	X	X	
	208/240V-3ph	<b>99W03</b>	X	X	X	X
	460V-3ph	<b>99W08</b>	X	X	X	X
	575V-3ph	<b>99W13</b>	X	X	X	X
15 kW	208/240V-1ph	<b>98W99</b>	X	X	X	
	208/240V-3ph	<b>99W04</b>	X	X	X	X
	460V-3ph	<b>99W09</b>	X	X	X	X
	575V-3ph	<b>99W14</b>	X	X	X	X
22.5 kW	208/240V-1ph	<b>99W00</b>		X	X	
	208/240V-3ph	<b>99W05</b>		X	X	X
	460V-3ph	<b>99W10</b>		X	X	X
	575V-3ph	<b>99W15</b>		X	X	X
30 kW	208/240V-3ph	<b>13U01</b>				X
	460V-3ph	<b>13U02</b>				X
	575V-3ph	<b>13U03</b>				X

### ELECTRIC HEAT ACCESSORIES

Unit Fuse Block (required) - See Electrical/Electric Heat Tables for Selection	X	X	X	X
--------------------------------------------------------------------------------	---	---	---	---

### ECONOMIZER

#### Standard Economizer With Outdoor Air Hood (Not for Title 24)

Standard Economizer (Downflow) Includes Barometric Relief Dampers and Exhaust Hood	<b>14D94</b>	X	X	X	X
Standard Economizer (Horizontal) Includes Barometric Relief Dampers and Exhaust Hood	<b>14D92</b>	X	X	X	X

#### Standard Economizer Controls (Not for Title 24)

Single Enthalpy Control	<b>21Z09</b>	X	X	X	X
-------------------------	--------------	---	---	---	---

NOTE - The catalog numbers that appear here are for ordering field installed accessories only.

OX - Field Installed or Configure to Order (factory installed)

O - Configure to Order (Factory Installed)

X - Field Installed.

## OPTIONS / ACCESSORIES

Item	Catalog No.	Unit Model No.				
		ZCB 036	ZCB 048	ZCB 060	ZCB 074	
<b>High Performance Economizer With Outdoor Air Hood</b> (Approved for California Title 24 Building Standards / AMCA Class 1A Certified)						
High Performance Economizer (Downflow) Includes Barometric Relief Dampers and Exhaust Hood	20V23	OX	OX	OX	OX	
High Performance Economizer (Horizontal) Includes Barometric Relief Dampers and Exhaust Hood	20V24	X	X	X	X	
<b>High Performance Economizer Controls</b>						
Single Enthalpy Control	11G21	X	X	X	X	
<b>OUTDOOR AIR</b>						
<b>Outdoor Air Dampers With Outdoor Air Hood</b>						
Motorized	15D19	X	X	X	X	
Manual	15D20	X	X	X	X	
<b>POWER EXHAUST FAN</b>						
Standard Static (Downflow)	208/230V-1 or 3ph 460V-3ph	21E01	X	X	X	X
		23E01	X	X	X	X
Standard Static (Horizontal)	208/230V-1 or 3ph 460V-3ph	24E01	X	X	X	X
		28E01	X	X	X	X
575V Transformer Kit	59E02	X	X	X	X	
<b>INDOOR AIR QUALITY</b>						
<b>Indoor Air Quality (CO<sub>2</sub>) Sensors</b>						
Sensor - Wall-mount, off-white plastic cover with LCD display	77N39	X	X	X	X	
Sensor - Wall-mount, black plastic case, no display, rated for plenum mounting	87N54	X	X	X	X	
CO <sub>2</sub> Sensor Duct Mounting Kit - for downflow applications	85L43	X	X	X	X	
Aspiration Box - for duct mounting non-plenum rated CO <sub>2</sub> sensor (77N39)	90N43	X	X	X	X	
<b>ROOF CURBS</b>						
<b>Hybrid Roof Curbs, Downflow</b>						
8 in. height	11F76	X	X	X	X	
14 in. height	11F77	X	X	X	X	
18 in. height	11F78	X	X	X	X	
24 in. height	11F79	X	X	X	X	
<b>CEILING DIFFUSERS</b>						
Step-Down - Order one	RTD9-65S RTD11-95S	13K60	X	X	X	
		13K61			X	
Flush - Order one	FD9-65S FD11-95S	13K55	X	X	X	
		13K56			X	

NOTE - Ceiling Diffuser Transitions are not furnished and must be field fabricated.

NOTE - Order 575V Transformer Kit with 208/230V Power Exhaust Fan for 575V applications.

NOTE - The catalog numbers that appear here are for ordering field installed accessories only.

OX - Field Installed or Configure to Order (factory installed)

O - Configure to Order (Factory Installed)

X - Field Installed.

**SPECIFICATIONS**
**3 TON | 4 TON | 5 TON**

General Data		Nominal Tonnage	3 Ton	4 Ton	5 Ton
		Model No.	ZCB036S4B	ZCB048S4B	ZCB060S4B
		Efficiency Type	Standard	Standard	Standard
		Blower Type	Single Speed Belt Drive	Single Speed Belt Drive	Single Speed Belt Drive
<b>Cooling Performance</b>	Gross Cooling Capacity - Btuh		36,200	46,700	58,300
	<sup>1</sup> Net Cooling Capacity (Btuh) 3ph		35,000	45,500	57,000
	<sup>1</sup> AHRI Rated Air Flow (cfm) 3ph		1190	1380	1725
	<sup>1</sup> SEER (Btuh/Watt) 3ph		14.0	14.0	14.0
	<sup>1</sup> EER (Btuh/Watt) 3ph		11.7	11.0	11.0
	Total Unit Power (kW) 3ph		3.0	4.1	5.1
	<sup>1</sup> Net Cooling Capacity (Btuh) 1ph		34,500	45,500	57,000
	<sup>1</sup> AHRI Rated Air Flow (cfm) 1ph		1190	1380	1725
	<sup>1</sup> SEER2 (Btuh/Watt) 1ph		13.4	13.4	13.4
	<sup>1</sup> EER2 (Btuh/Watt) 1ph		10.6	10.6	10.6
Total Unit Power (kW) 1ph		3.0	4.1	4.9	
<sup>2</sup> Sound Rating Number (SRN) (dBA)			78	80	78
<b>Refrigerant</b>	Type		R-410A	R-410A	R-410A
	Charge Furnished		5 lbs. 13 oz.	5 lbs. 12 oz.	7 lbs. 11 oz.
<b>Electric Heat Available - page 27</b>			5, 7.5, 10, 15 kW	5, 7.5, 10, 15, 22.5 kW	
<b>Compressor Type (one per unit)</b>			Scroll	Scroll	Scroll
<b>Outdoor Coil</b>	Net face area - sq. ft.		15.2	15.2	19.9
	Number of rows		1	1	1
	Fins / inch		23	23	23
<b>Outdoor Coil Fan</b>	Motor HP		(1) 1/4	(1) 1/4	(1) 1/4
	Motor rpm		825	825	825
	Total motor watts		315	315	315
	Diameter (No.) - in.		(1) 22	(1) 22	(1) 22
	Number of blades		4	4	4
	Total air volume - cfm		3700	3700	3700
<b>Indoor Coil</b>	Net face area - sq. ft.		8.4	8.4	10.8
	Tube diameter - in.		3/8	3/8	3/8
	Number of rows		3	3	3
	Fins per inch		14	14	14
	Drain Connection (no. and size) - in.		(1) 1 NPT	(1) 1 NPT	(1) 1 NPT
	Expansion device type		Fixed Orifice	Fixed Orifice	Fixed Orifice
<sup>3</sup> Indoor Blower & Drive Selection	Nominal Motor HP		<sup>4</sup> 0.75 hp, <sup>5</sup> 1 hp, 1.5 hp	<sup>4</sup> 0.75 hp, <sup>5</sup> 1 hp, 1.5 hp	<sup>4</sup> 0.75 hp, <sup>5</sup> 1 hp, 1.5 hp
	Maximum Usable Motor HP		0.86 hp, 1.15 hp, 1.7 hp	0.86 hp, 1.15 hp, 1.7 hp	0.86 hp, 1.15 hp, 1.7 hp
	Available Drive Kits		Kit #ZA01 678-1035 rpm	Kit #ZA02 803-1226 rpm	Kit #ZA03 906-1383 rpm
			Kit #ZA04 964-1471 rpm	<sup>6</sup> Kit #ZA05 1098-1490 rpm	<sup>6</sup> Kit #ZA06 1262-1634 rpm
Wheel nominal diameter x width - in.		10 x 10	10 x 10	10 x 10	
<b>Filters</b>	Type		Disposable		
	Number and size - in.		(4) 14 x 20 x 2		(2) 16 x 20 x 2 (2) 20 x 20 x 2
<b>Electrical Characteristics - 60 Hz</b>			208/230V, 1 phase	208/230V, 1 phase	208/230V, 1 phase
			208/230V, 460V & 575V 3 phase	208/230V, 460V & 575V 3 phase	208/230V, 460V & 575V 3 phase

NOTE - Net capacity includes evaporator blower motor heat deduction. Gross capacity does not include evaporator blower motor heat deduction.

<sup>1</sup> AHRI Certified to AHRI Standard 210/240: 95°F outdoor air temperature and 80°F db/67°F wb entering evaporator air; minimum external duct static pressure.

<sup>2</sup> Sound Rating Number (SRN) rated in accordance with test conditions included in ANSI/AHRI Standard 270-2008.

<sup>3</sup> Using total air volume and system static pressure requirements determine from blower performance tables rpm and motor hp required. Maximum usable hp of motors furnished are shown. In Canada, nominal motor hp is also maximum usable motor hp output. If motors of comparable hp are used, be sure to keep within the service factor limitations outlined on the motor nameplate.

<sup>4</sup> 0.75 hp motor is only available for 208/230V-1ph applications.

<sup>5</sup> 1 hp blower motor is not available for 208/230V-1ph applications.

<sup>6</sup> 1.5 hp motor is required with the ZA05 and ZA06 drive kits.

**SPECIFICATIONS**
**6 TON**

<b>General Data</b>	<b>Nominal Tonnage</b>	<b>6 Ton</b>	
	<b>Model No.</b>	<b>ZCB074S4T</b>	
	<b>Efficiency Type</b>	<b>Standard</b>	
	<b>Blower Type</b>	Two Speed Belt Drive	
<b>Cooling Performance</b>	Gross Cooling Capacity - Btuh	68,500	
	<sup>1</sup> Net Cooling Capacity - Btuh	67,000	
	<sup>1</sup> AHRI Rated Air Flow - cfm	2200	
	<sup>2</sup> Sound Rating Number (SRN) (dBA)	84	
	<sup>1</sup> Total Unit Power - kW	6.0	
	<sup>1</sup> IEER (Btuh/Watt)	15.0	
	<sup>1</sup> EER (Btuh/Watt)	11.2	
<b>Refrigerant</b>	Type	R-410A	
	Charge Furnished	7 lbs. 3 oz.	
<b>Electric Heat Available - page 27</b>		7.5, 15, 22.5, 30 kW	
<b>Compressor Type (one per unit)</b>		Two-Stage Scroll	
<b>Outdoor Coil</b>	Net face area - sq. ft.	19.9	
	Number of rows	1	
	Fins / inch	23	
<b>Outdoor Coil Fan</b>	Motor HP	(1) 1/3	
	Motor rpm	1075	
	Total motor watts	365	
	Diameter (No.) - in.	(1) 22	
	Number of blades	3	
	Total air volume - cfm	4270	
<b>Indoor Coil</b>	Net face area - sq. ft.	10.8	
	Tube diameter - in.	3/8	
	Number of rows	3	
	Fins per inch	14	
	Drain Connection (no. and size) - in.	(1) 1 NPT	
	Expansion device type	Balance Port TXV, removable head	
<b><sup>3</sup> Indoor Blower &amp; Drive Selection</b>	Nominal Motor HP	2 hp	
	Maximum Usable Motor HP	2.3 hp	
	Available Drive Kits	Kit #ZAA02	632-875 rpm
		Kit #ZAA03	798-1105 rpm
		Kit #ZAA04	921-1228 rpm
Wheel nominal diameter x width - in.	15 x 9		
<b>Filters</b>	Type	Disposable	
	Number and size - in.	(2) 16 x 20 x 2 (2) 20 x 20 x 2	
<b>Electrical Characteristics - 60 Hz</b>		208/230V, 460V & 575V 3 phase	

NOTE - Net capacity includes evaporator blower motor heat deduction. Gross capacity does not include evaporator blower motor heat deduction.

<sup>1</sup> AHRI Certified to AHRI Standard 340/360: 95°F outdoor air temperature and 80°F db/67°F wb entering evaporator air; minimum external duct static pressure.

<sup>2</sup> Sound Rating Number (SRN) rated in accordance with test conditions included in ANSI/AHRI Standard 270-2008.

<sup>3</sup> Using total air volume and system static pressure requirements determine from blower performance tables rpm and motor hp required. Maximum usable hp of motors furnished are shown. In Canada, nominal motor hp is also maximum usable motor hp output. If motors of comparable hp are used, be sure to keep within the service factor limitations outlined on the motor nameplate.

# RATINGS

NOTE – For Temperatures and Capacities not shown in tables, see bulletin – Cooling Unit Rating Table Correction Factor Data in Miscellaneous Engineering Data section.

## 3 TON - ZCB036S4

Entering Wet Bulb Temperature	Total Air Volume	Outdoor Air Temperature Entering Outdoor Coil																			
		85°F					95°F					105°F					115°F				
		Total Cool Cap.	Comp. Motor Input	Sensible To Total Ratio (S/T)			Total Cool Cap.	Comp. Motor Input	Sensible To Total Ratio (S/T)			Total Cool Cap.	Comp. Motor Input	Sensible To Total Ratio (S/T)			Total Cool Cap.	Comp. Motor Input	Sensible To Total Ratio (S/T)		
				Dry Bulb					Dry Bulb					Dry Bulb					Dry Bulb		
cfm	kBtuh	kW	75°F	80°F	85°F	kBtuh	kW	75°F	80°F	85°F	kBtuh	kW	75°F	80°F	85°F	kBtuh	kW	75°F	80°F	85°F	
63°F	960	34.5	2.06	0.70	0.84	0.99	32.4	2.31	0.71	0.86	1.00	30.2	2.60	0.73	0.90	1.00	27.7	2.94	0.75	0.94	1.00
	1200	36.3	2.07	0.75	0.93	1.00	34.2	2.32	0.77	0.96	1.00	31.8	2.61	0.79	0.99	1.00	29.3	2.94	0.83	1.00	1.00
	1440	37.8	2.07	0.80	1.00	1.00	35.6	2.33	0.83	1.00	1.00	33.5	2.62	0.86	1.00	1.00	30.9	2.95	0.91	1.00	1.00
67°F	960	36.7	2.07	0.55	0.67	0.80	34.5	2.32	0.56	0.69	0.83	32.1	2.61	0.57	0.71	0.86	29.5	2.95	0.58	0.73	0.90
	1200	38.6	2.08	0.58	0.73	0.89	36.2	2.33	0.59	0.75	0.92	33.6	2.62	0.60	0.77	0.95	30.8	2.95	0.62	0.81	1.00
	1440	39.9	2.09	0.61	0.78	0.97	37.4	2.34	0.63	0.81	0.99	34.7	2.63	0.65	0.84	1.00	31.8	2.96	0.66	0.89	1.00
71°F	960	38.7	2.08	0.42	0.54	0.65	36.5	2.33	0.41	0.54	0.67	34.0	2.62	0.41	0.55	0.69	31.3	2.95	0.42	0.57	0.71
	1200	40.7	2.09	0.43	0.57	0.71	38.3	2.35	0.43	0.58	0.73	35.6	2.63	0.43	0.59	0.75	32.7	2.96	0.44	0.61	0.78
	1440	42.1	2.10	0.45	0.60	0.76	39.6	2.35	0.44	0.61	0.78	36.9	2.64	0.45	0.64	0.82	33.7	2.97	0.46	0.65	0.86

## 4 TON - ZCB048S4

Entering Wet Bulb Temperature	Total Air Volume	Outdoor Air Temperature Entering Outdoor Coil																			
		85°F					95°F					105°F					115°F				
		Total Cool Cap.	Comp. Motor Input	Sensible To Total Ratio (S/T)			Total Cool Cap.	Comp. Motor Input	Sensible To Total Ratio (S/T)			Total Cool Cap.	Comp. Motor Input	Sensible To Total Ratio (S/T)			Total Cool Cap.	Comp. Motor Input	Sensible To Total Ratio (S/T)		
				Dry Bulb					Dry Bulb					Dry Bulb					Dry Bulb		
cfm	kBtuh	kW	75°F	80°F	85°F	kBtuh	kW	75°F	80°F	85°F	kBtuh	kW	75°F	80°F	85°F	kBtuh	kW	75°F	80°F	85°F	
63°F	1280	45.2	2.93	0.72	0.85	0.99	43.8	3.30	0.74	0.88	1.00	42.3	3.74	0.76	0.91	1.00	40.6	4.25	0.79	0.95	1.00
	1600	47.0	2.94	0.76	0.94	1.00	45.4	3.32	0.79	0.97	1.00	43.7	3.76	0.82	1.00	1.00	42.1	4.27	0.85	1.00	1.00
	1920	48.3	2.96	0.82	1.00	1.00	46.8	3.34	0.85	1.00	1.00	45.3	3.78	0.88	1.00	1.00	43.6	4.30	0.92	1.00	1.00
67°F	1280	47.3	2.95	0.58	0.69	0.82	45.7	3.33	0.59	0.71	0.84	44.1	3.76	0.61	0.74	0.88	42.4	4.28	0.63	0.76	0.92
	1600	49.2	2.97	0.60	0.74	0.90	47.4	3.35	0.62	0.76	0.93	45.6	3.79	0.64	0.79	0.97	43.6	4.30	0.66	0.83	1.00
	1920	50.4	2.98	0.63	0.79	0.98	48.5	3.36	0.65	0.82	1.00	46.6	3.8	0.67	0.86	1.00	44.3	4.32	0.70	0.90	1.00
71°F	1280	49.2	2.97	0.45	0.56	0.67	47.6	3.35	0.45	0.57	0.69	45.8	3.79	0.47	0.59	0.71	44.0	4.31	0.49	0.62	0.74
	1600	51.2	2.99	0.45	0.59	0.72	49.4	3.38	0.47	0.61	0.74	47.5	3.82	0.48	0.63	0.77	45.2	4.34	0.50	0.65	0.80
	1920	52.7	3.01	0.46	0.62	0.77	50.6	3.39	0.48	0.64	0.80	48.6	3.84	0.50	0.66	0.83	46.3	4.36	0.52	0.69	0.88

## 5 TON - ZCB060S4

Entering Wet Bulb Temperature	Total Air Volume	Outdoor Air Temperature Entering Outdoor Coil																			
		85°F					95°F					105°F					115°F				
		Total Cool Cap.	Comp. Motor Input	Sensible To Total Ratio (S/T)			Total Cool Cap.	Comp. Motor Input	Sensible To Total Ratio (S/T)			Total Cool Cap.	Comp. Motor Input	Sensible To Total Ratio (S/T)			Total Cool Cap.	Comp. Motor Input	Sensible To Total Ratio (S/T)		
				Dry Bulb					Dry Bulb					Dry Bulb					Dry Bulb		
cfm	kBtuh	kW	75°F	80°F	85°F	kBtuh	kW	75°F	80°F	85°F	kBtuh	kW	75°F	80°F	85°F	kBtuh	kW	75°F	80°F	85°F	
63°F	1600	58.1	3.63	0.74	0.88	0.99	53.4	4.08	0.74	0.89	1.00	48.4	4.61	0.75	0.91	1.00	43.0	5.23	0.76	0.94	1.00
	2000	61.8	3.65	0.80	0.95	1.00	56.8	4.10	0.81	0.97	1.00	51.6	4.64	0.82	0.99	1.00	46.1	5.27	0.84	1.00	1.00
	2400	64.8	3.66	0.85	1.00	1.00	59.9	4.12	0.86	1.00	1.00	54.9	4.67	0.89	1.00	1.00	49.7	5.32	0.91	1.00	1.00
67°F	1600	62.7	3.65	0.57	0.72	0.85	57.8	4.11	0.56	0.72	0.86	52.6	4.65	0.55	0.73	0.88	47.0	5.28	0.54	0.74	0.91
	2000	66.6	3.67	0.61	0.78	0.92	61.4	4.14	0.61	0.79	0.94	55.8	4.68	0.60	0.81	0.96	49.6	5.31	0.60	0.83	0.99
	2400	69.3	3.69	0.65	0.83	0.98	63.7	4.16	0.65	0.85	1.00	58.0	4.71	0.66	0.87	1.00	51.7	5.35	0.66	0.90	1.00
71°F	1600	67.2	3.67	0.42	0.56	0.70	62.1	4.14	0.40	0.55	0.70	56.8	4.69	0.38	0.55	0.71	50.8	5.33	0.35	0.54	0.72
	2000	71.2	3.70	0.43	0.60	0.76	65.9	4.17	0.42	0.60	0.77	60.0	4.72	0.40	0.60	0.79	53.8	5.37	0.39	0.60	0.81
	2400	74.3	3.72	0.45	0.64	0.82	68.4	4.19	0.44	0.65	0.83	62.4	4.75	0.43	0.65	0.85	56.0	5.40	0.42	0.66	0.88



# RATINGS

NOTE – For Temperatures and Capacities not shown in tables, see bulletin – Cooling Unit Rating Table Correction Factor Data in Miscellaneous Engineering Data section.

## 6 TON - ZCB074S4T (PART LOAD)

Entering Wet Bulb Temperature	Total Air Volume	Outdoor Air Temperature Entering Outdoor Coil																			
		65°F					75°F					85°F					95°F				
		Total Cool Cap.	Comp. Motor Input	Sensible To Total Ratio (S/T)			Total Cool Cap.	Comp. Motor Input	Sensible To Total Ratio (S/T)			Total Cool Cap.	Comp. Motor Input	Sensible To Total Ratio (S/T)			Total Cool Cap.	Comp. Motor Input	Sensible To Total Ratio (S/T)		
				Dry Bulb					Dry Bulb					Dry Bulb					Dry Bulb		
cfm	kBtuh	kW	75°F	80°F	85°F	kBtuh	kW	75°F	80°F	85°F	kBtuh	kW	75°F	80°F	85°F	kBtuh	kW	75°F	80°F	85°F	
63°F	1200	50.3	2.24	0.67	0.79	0.92	47.3	2.56	0.67	0.80	0.94	44.2	2.91	0.67	0.82	0.96	40.7	3.32	0.68	0.83	0.99
	1600	55.0	2.24	0.73	0.88	1.00	51.6	2.55	0.74	0.90	1.00	48.1	2.91	0.74	0.92	1.00	44.3	3.32	0.76	0.95	1.00
	2000	58.1	2.23	0.79	0.97	1.00	54.6	2.55	0.80	0.99	1.00	51.0	2.91	0.81	1.00	1.00	47.5	3.32	0.84	1.00	1.00
67°F	1200	54.1	2.24	0.53	0.65	0.76	51.0	2.56	0.53	0.65	0.77	47.7	2.91	0.52	0.65	0.78	44.1	3.32	0.52	0.65	0.79
	1600	59.0	2.23	0.57	0.70	0.84	55.6	2.55	0.57	0.71	0.86	51.9	2.91	0.56	0.72	0.88	48.0	3.32	0.57	0.73	0.91
	2000	62.4	2.22	0.60	0.76	0.93	58.7	2.54	0.61	0.77	0.95	54.8	2.91	0.61	0.79	0.97	50.7	3.32	0.61	0.81	1.00
71°F	1200	57.8	2.23	0.41	0.52	0.62	54.6	2.55	0.40	0.52	0.62	51.2	2.91	0.39	0.51	0.63	47.5	3.32	0.37	0.51	0.63
	1600	63.1	2.22	0.43	0.55	0.68	59.5	2.54	0.42	0.56	0.69	55.7	2.91	0.41	0.56	0.70	51.8	3.32	0.40	0.56	0.71
	2000	66.6	2.21	0.44	0.59	0.74	62.9	2.54	0.44	0.60	0.75	58.8	2.90	0.43	0.60	0.76	54.5	3.31	0.43	0.60	0.78

## 6 TON - ZCB074S4T (FULL LOAD)

Entering Wet Bulb Temperature	Total Air Volume	Outdoor Air Temperature Entering Outdoor Coil																			
		85°F					95°F					105°F					115°F				
		Total Cool Cap.	Comp. Motor Input	Sensible To Total Ratio (S/T)			Total Cool Cap.	Comp. Motor Input	Sensible To Total Ratio (S/T)			Total Cool Cap.	Comp. Motor Input	Sensible To Total Ratio (S/T)			Total Cool Cap.	Comp. Motor Input	Sensible To Total Ratio (S/T)		
				Dry Bulb					Dry Bulb					Dry Bulb					Dry Bulb		
cfm	kBtuh	kW	75°F	80°F	85°F	kBtuh	kW	75°F	80°F	85°F	kBtuh	kW	75°F	80°F	85°F	kBtuh	kW	75°F	80°F	85°F	
63°F	1920	66.9	4.13	0.71	0.87	1.00	62.5	4.66	0.72	0.89	1.00	57.7	5.27	0.74	0.92	1.00	52.7	5.97	0.76	0.96	1.00
	2400	70.5	4.16	0.77	0.96	1.00	65.7	4.70	0.79	0.98	1.00	60.9	5.30	0.81	1.00	1.00	56.1	6.01	0.84	1.00	1.00
	2880	73.4	4.19	0.83	1.00	1.00	69.1	4.73	0.85	1.00	1.00	64.5	5.35	0.89	1.00	1.00	59.4	6.05	0.92	1.00	1.00
67°F	1920	71.5	4.17	0.55	0.69	0.83	66.9	4.71	0.56	0.70	0.85	61.8	5.32	0.56	0.72	0.88	56.7	6.01	0.56	0.73	0.92
	2400	75.2	4.21	0.59	0.75	0.92	70.3	4.75	0.59	0.77	0.95	64.9	5.35	0.60	0.79	0.98	59.5	6.05	0.61	0.82	1.00
	2880	78.0	4.24	0.63	0.81	0.99	72.6	4.78	0.63	0.83	1.00	67.0	5.38	0.64	0.86	1.00	61.3	6.07	0.66	0.90	1.00
71°F	1920	75.8	4.22	0.41	0.54	0.67	71.2	4.76	0.41	0.55	0.68	66.0	5.36	0.40	0.55	0.69	60.5	6.06	0.38	0.55	0.71
	2400	79.8	4.26	0.43	0.58	0.73	74.6	4.80	0.42	0.59	0.74	69.4	5.41	0.41	0.60	0.76	63.5	6.10	0.41	0.61	0.79
	2880	82.8	4.30	0.44	0.62	0.79	77.4	4.84	0.44	0.63	0.81	71.6	5.44	0.44	0.64	0.84	65.7	6.14	0.44	0.66	0.88

**BLOWER TABLE INCLUDES RESISTANCE FOR BASE UNIT ONLY WITH DRY INDOOR COIL AND AIR FILTERS IN PLACE.**

FOR ALL UNITS ADD:

1 - Any factory installed options air resistance (heat section, economizer, wet coil, etc.).

2 - Any field installed accessories air resistance (duct resistance, diffuser, etc.).

See page 21 for blower motors and drives and wet coil and options/accessory air resistance data.

**DOWNFLOW**

Air Volume cfm	External Static - in. w.g.															
	0.10		0.20		0.30		0.40		0.50		0.60		0.70		0.80	
	RPM	BHP	RPM	BHP	RPM	BHP	RPM	BHP	RPM	BHP	RPM	BHP	RPM	BHP	RPM	BHP
900	562	0.16	629	0.18	699	0.19	771	0.20	840	0.22	904	0.24	962	0.26	1015	0.29
1000	586	0.18	654	0.20	725	0.21	796	0.23	864	0.25	927	0.27	983	0.30	1034	0.33
1100	612	0.20	681	0.22	752	0.24	823	0.26	890	0.28	950	0.31	1004	0.34	1054	0.37
1200	641	0.23	711	0.25	783	0.27	852	0.29	917	0.32	975	0.35	1027	0.39	1074	0.42
1300	673	0.25	744	0.28	815	0.30	882	0.33	944	0.36	1000	0.40	1050	0.44	1096	0.48
1400	709	0.29	779	0.32	849	0.34	914	0.37	973	0.41	1026	0.45	1074	0.49	1118	0.53
1500	747	0.33	816	0.36	883	0.39	945	0.42	1001	0.46	1052	0.51	1098	0.55	1141	0.59

Air Volume cfm	External Static - in. w.g.															
	0.90		1.00		1.10		1.20		1.30		1.40		1.50		1.60	
	RPM	BHP	RPM	BHP	RPM	BHP	RPM	BHP	RPM	BHP	RPM	BHP	RPM	BHP	RPM	BHP
900	1065	0.32	1112	0.35	1158	0.38	1202	0.41	1243	0.44	1284	0.48	1323	0.52	1364	0.55
1000	1082	0.36	1128	0.39	1173	0.42	1216	0.45	1257	0.49	1297	0.53	1336	0.57	1375	0.60
1100	1100	0.40	1145	0.44	1189	0.47	1231	0.51	1272	0.54	1311	0.58	1349	0.62	1388	0.66
1200	1119	0.45	1163	0.49	1206	0.52	1247	0.56	1287	0.60	1326	0.64	1364	0.68	1402	0.72
1300	1139	0.51	1182	0.55	1224	0.58	1265	0.62	1304	0.66	1342	0.71	1379	0.75	1416	0.79
1400	1160	0.57	1202	0.61	1243	0.65	1283	0.69	1322	0.73	1359	0.78	1396	0.82	1432	0.87
1500	1182	0.64	1223	0.68	1263	0.72	1303	0.76	1341	0.81	1378	0.85	1414	0.90	1449	0.94

**HORIZONTAL**

Air Volume cfm	External Static - in. w.g.															
	0.10		0.20		0.30		0.40		0.50		0.60		0.70		0.80	
	RPM	BHP	RPM	BHP	RPM	BHP	RPM	BHP	RPM	BHP	RPM	BHP	RPM	BHP	RPM	BHP
900	580	0.14	649	0.17	721	0.19	794	0.22	868	0.24	938	0.27	998	0.30	1045	0.33
1000	612	0.17	681	0.19	752	0.22	825	0.25	897	0.27	963	0.30	1017	0.33	1061	0.37
1100	647	0.20	717	0.23	788	0.26	858	0.28	926	0.31	986	0.34	1036	0.38	1077	0.41
1200	687	0.23	757	0.26	826	0.29	893	0.32	955	0.35	1008	0.39	1054	0.42	1095	0.46
1300	730	0.27	798	0.30	864	0.33	926	0.37	982	0.40	1030	0.44	1073	0.47	1116	0.51
1400	775	0.31	840	0.34	902	0.38	959	0.42	1009	0.46	1054	0.50	1096	0.53	1140	0.56
1500	820	0.36	881	0.40	939	0.44	993	0.49	1039	0.53	1082	0.56	1124	0.59	1168	0.62

Air Volume cfm	External Static - in. w.g.															
	0.90		1.00		1.10		1.20		1.30		1.40		1.50		1.60	
	RPM	BHP	RPM	BHP	RPM	BHP	RPM	BHP	RPM	BHP	RPM	BHP	RPM	BHP	RPM	BHP
900	1091	0.36	1140	0.38	1188	0.40	1232	0.43	1272	0.46	1309	0.49	1346	0.53	1383	0.57
1000	1105	0.40	1154	0.42	1201	0.45	1245	0.47	1284	0.50	1321	0.54	1357	0.58	1394	0.62
1100	1121	0.44	1169	0.47	1216	0.49	1259	0.52	1298	0.56	1335	0.60	1370	0.64	1406	0.69
1200	1139	0.49	1187	0.52	1234	0.54	1276	0.58	1314	0.62	1350	0.66	1385	0.71	1421	0.75
1300	1161	0.54	1208	0.57	1254	0.60	1295	0.64	1332	0.69	1366	0.73	1401	0.78	1436	0.83
1400	1185	0.59	1232	0.63	1276	0.67	1315	0.71	1351	0.76	1384	0.81	1419	0.86	1454	0.90
1500	1212	0.66	1257	0.70	1299	0.74	1337	0.79	1371	0.84	1404	0.89	1438	0.94	1473	0.99

**BLOWER TABLE INCLUDES RESISTANCE FOR BASE UNIT ONLY WITH DRY INDOOR COIL AND AIR FILTERS IN PLACE.**

FOR ALL UNITS ADD:

1 - Any factory installed options air resistance (heat section, economizer, wet coil, etc.).

2 - Any field installed accessories air resistance (duct resistance, diffuser, etc.).

See page 21 for blower motors and drives and wet coil and options/accessory air resistance data.

**DOWNFLOW**

Air Volume cfm	External Static - in. w.g.															
	0.10		0.20		0.30		0.40		0.50		0.60		0.70		0.80	
	RPM	BHP	RPM	BHP	RPM	BHP	RPM	BHP	RPM	BHP	RPM	BHP	RPM	BHP	RPM	BHP
1200	641	0.23	711	0.25	783	0.27	852	0.29	917	0.32	975	0.35	1027	0.39	1074	0.42
1300	673	0.25	744	0.28	815	0.30	882	0.33	944	0.36	1000	0.40	1050	0.44	1096	0.48
1400	709	0.29	779	0.32	849	0.34	914	0.37	973	0.41	1026	0.45	1074	0.49	1118	0.53
1500	747	0.33	816	0.36	883	0.39	945	0.42	1001	0.46	1052	0.51	1098	0.55	1141	0.59
1600	787	0.38	854	0.41	918	0.44	976	0.48	1030	0.52	1078	0.56	1123	0.61	1164	0.66
1700	827	0.43	892	0.46	952	0.49	1007	0.53	1058	0.58	1105	0.63	1148	0.68	1189	0.73
1800	868	0.48	929	0.52	986	0.55	1038	0.59	1087	0.64	1132	0.69	1174	0.75	1214	0.80
1900	907	0.54	966	0.58	1019	0.62	1069	0.66	1116	0.71	1160	0.77	1200	0.82	1240	0.88
2000	946	0.60	1001	0.65	1053	0.69	1101	0.74	1146	0.79	1188	0.85	1228	0.91	1267	0.98

Air Volume cfm	External Static - in. w.g.															
	0.90		1.00		1.10		1.20		1.30		1.40		1.50		1.60	
	RPM	BHP	RPM	BHP	RPM	BHP	RPM	BHP	RPM	BHP	RPM	BHP	RPM	BHP	RPM	BHP
1200	1119	0.45	1163	0.49	1206	0.52	1247	0.56	1287	0.60	1326	0.64	1364	0.68	1402	0.72
1300	1139	0.51	1182	0.55	1224	0.58	1265	0.62	1304	0.66	1342	0.71	1379	0.75	1416	0.79
1400	1160	0.57	1202	0.61	1243	0.65	1283	0.69	1322	0.73	1359	0.78	1396	0.82	1432	0.87
1500	1182	0.64	1223	0.68	1263	0.72	1303	0.76	1341	0.81	1378	0.85	1414	0.9	1449	0.94
1600	1205	0.70	1245	0.75	1284	0.79	1323	0.84	1361	0.88	1397	0.93	1432	0.98	1467	1.03
1700	1228	0.78	1268	0.82	1307	0.87	1345	0.92	1382	0.97	1417	1.02	1452	1.07	1486	1.11
1800	1253	0.85	1292	0.91	1331	0.96	1368	1.01	1404	1.06	1439	1.11	1473	1.16	1506	1.21
1900	1279	0.94	1317	1.00	1355	1.05	1392	1.10	1427	1.16	1461	1.21	1494	1.26	1527	1.31
2000	1305	1.04	1343	1.10	1380	1.15	1416	1.21	1450	1.26	1484	1.32	1516	1.37	1549	1.42

**HORIZONTAL**

Air Volume cfm	External Static - in. w.g.															
	0.10		0.20		0.30		0.40		0.50		0.60		0.70		0.80	
	RPM	BHP	RPM	BHP	RPM	BHP	RPM	BHP	RPM	BHP	RPM	BHP	RPM	BHP	RPM	BHP
1200	687	0.23	757	0.26	826	0.29	893	0.32	955	0.35	1008	0.39	1054	0.42	1095	0.46
1300	730	0.27	798	0.30	864	0.33	926	0.37	982	0.40	1030	0.44	1073	0.47	1116	0.51
1400	775	0.31	840	0.34	902	0.38	959	0.42	1009	0.46	1054	0.50	1096	0.53	1140	0.56
1500	820	0.36	881	0.40	939	0.44	993	0.49	1039	0.53	1082	0.56	1124	0.59	1168	0.62
1600	864	0.42	921	0.46	976	0.51	1027	0.56	1072	0.6	1113	0.63	1155	0.66	1198	0.69
1700	907	0.48	961	0.53	1013	0.58	1061	0.63	1105	0.67	1146	0.70	1187	0.73	1230	0.77
1800	948	0.56	999	0.61	1049	0.66	1096	0.71	1139	0.75	1180	0.78	1221	0.82	1262	0.86
1900	987	0.64	1037	0.69	1086	0.74	1132	0.79	1174	0.83	1214	0.86	1255	0.90	1295	0.95
2000	1028	0.73	1076	0.78	1123	0.83	1168	0.87	1210	0.91	1250	0.96	1289	1.00	1328	1.06

Air Volume cfm	External Static - in. w.g.															
	0.90		1.00		1.10		1.20		1.30		1.40		1.50		1.60	
	RPM	BHP	RPM	BHP	RPM	BHP	RPM	BHP	RPM	BHP	RPM	BHP	RPM	BHP	RPM	BHP
1200	1139	0.49	1187	0.52	1234	0.54	1276	0.58	1314	0.62	1350	0.66	1385	0.71	1421	0.75
1300	1161	0.54	1208	0.57	1254	0.60	1295	0.64	1332	0.69	1366	0.73	1401	0.78	1436	0.83
1400	1185	0.59	1232	0.63	1276	0.67	1315	0.71	1351	0.76	1384	0.81	1419	0.86	1454	0.90
1500	1212	0.66	1257	0.70	1299	0.74	1337	0.79	1371	0.84	1404	0.89	1438	0.94	1473	0.99
1600	1242	0.73	1284	0.77	1324	0.82	1360	0.88	1394	0.93	1426	0.99	1460	1.04	1495	1.08
1700	1272	0.81	1312	0.86	1350	0.92	1385	0.98	1418	1.04	1451	1.09	1485	1.14	1519	1.19
1800	1302	0.90	1341	0.96	1377	1.02	1411	1.08	1444	1.15	1477	1.20	1510	1.25	1544	1.30
1900	1334	1.01	1371	1.07	1406	1.13	1439	1.20	1471	1.26	1504	1.32	1537	1.37	1571	1.41
2000	1365	1.12	1401	1.19	1435	1.25	1468	1.32	1500	1.38	1532	1.44	1565	1.49	1598	1.53

**BLOWER TABLE INCLUDES RESISTANCE FOR BASE UNIT ONLY WITH DRY INDOOR COIL AND AIR FILTERS IN PLACE.**

FOR ALL UNITS ADD:

1 - Any factory installed options air resistance (heat section, economizer, wet coil, etc.).

2 - Any field installed accessories air resistance (duct resistance, diffuser, etc.).

See page 21 for blower motors and drives and wet coil and options/accessory air resistance data.

**DOWNFLOW**

Air Volume cfm	External Static - in. w.g.															
	0.10		0.20		0.30		0.40		0.50		0.60		0.70		0.80	
	RPM	BHP	RPM	BHP	RPM	BHP	RPM	BHP	RPM	BHP	RPM	BHP	RPM	BHP	RPM	BHP
1600	764	0.46	823	0.51	882	0.56	940	0.60	997	0.65	1048	0.69	1094	0.72	1140	0.75
1700	806	0.53	863	0.58	919	0.62	975	0.67	1028	0.71	1075	0.75	1119	0.78	1164	0.81
1800	849	0.60	903	0.65	957	0.69	1010	0.74	1058	0.78	1102	0.82	1145	0.85	1189	0.88
1900	892	0.68	944	0.72	995	0.77	1045	0.82	1089	0.86	1131	0.89	1174	0.92	1217	0.95
2000	935	0.76	984	0.81	1033	0.86	1079	0.91	1122	0.95	1163	0.97	1204	1.00	1247	1.03
2100	977	0.85	1024	0.90	1070	0.95	1114	1.00	1155	1.03	1196	1.06	1237	1.09	1278	1.12
2200	1018	0.95	1063	0.99	1107	1.04	1149	1.09	1190	1.12	1230	1.15	1270	1.18	1310	1.22
2300	1057	1.04	1100	1.09	1143	1.14	1185	1.18	1225	1.22	1264	1.25	1303	1.29	1342	1.33
2400	1096	1.14	1137	1.18	1179	1.23	1220	1.27	1260	1.31	1299	1.35	1337	1.40	1375	1.45

Air Volume cfm	External Static - in. w.g.															
	0.90		1.00		1.10		1.20		1.30		1.40		1.50		1.60	
	RPM	BHP	RPM	BHP	RPM	BHP	RPM	BHP	RPM	BHP	RPM	BHP	RPM	BHP	RPM	BHP
1600	1185	0.79	1229	0.81	1271	0.84	1313	0.86	1354	0.90	1393	0.94	1431	0.98	1468	1.03
1700	1208	0.84	1252	0.87	1294	0.90	1335	0.94	1375	0.98	1413	1.02	1449	1.07	1485	1.12
1800	1233	0.91	1276	0.94	1318	0.98	1358	1.02	1397	1.06	1434	1.11	1469	1.16	1504	1.21
1900	1261	0.98	1303	1.02	1343	1.06	1382	1.11	1420	1.16	1455	1.21	1490	1.26	1525	1.31
2000	1289	1.07	1330	1.11	1370	1.16	1407	1.21	1444	1.27	1478	1.32	1513	1.37	1547	1.42
2100	1319	1.16	1359	1.21	1397	1.27	1433	1.32	1468	1.38	1502	1.44	1536	1.49	1570	1.53
2200	1350	1.27	1388	1.32	1424	1.38	1459	1.45	1494	1.51	1527	1.56	1561	1.61	1594	1.65
2300	1380	1.38	1417	1.45	1452	1.51	1486	1.58	1520	1.63	1553	1.68	1587	1.73	1620	1.78
2400	1411	1.51	1446	1.58	1480	1.65	1514	1.71	1547	1.77	1580	1.81	1614	1.86	1648	1.90

**HORIZONTAL**

Air Volume cfm	External Static - in. w.g.															
	0.10		0.20		0.30		0.40		0.50		0.60		0.70		0.80	
	RPM	BHP	RPM	BHP	RPM	BHP	RPM	BHP	RPM	BHP	RPM	BHP	RPM	BHP	RPM	BHP
1600	752	0.40	818	0.45	882	0.50	943	0.55	999	0.59	1050	0.62	1097	0.66	1142	0.69
1700	792	0.46	855	0.52	917	0.56	975	0.61	1028	0.64	1077	0.68	1123	0.72	1166	0.75
1800	832	0.53	894	0.58	952	0.63	1007	0.67	1058	0.70	1105	0.74	1149	0.78	1192	0.82
1900	873	0.60	932	0.65	988	0.69	1040	0.73	1088	0.77	1134	0.81	1177	0.85	1219	0.90
2000	914	0.67	970	0.72	1023	0.76	1073	0.80	1120	0.85	1163	0.89	1205	0.94	1246	0.99
2100	955	0.74	1009	0.79	1059	0.84	1107	0.89	1152	0.93	1194	0.98	1235	1.03	1275	1.09
2200	995	0.83	1047	0.88	1095	0.93	1141	0.98	1184	1.03	1225	1.08	1265	1.14	1304	1.20
2300	1036	0.92	1085	0.97	1132	1.02	1175	1.08	1217	1.13	1257	1.19	1296	1.26	1334	1.32
2400	1077	1.01	1124	1.07	1168	1.13	1210	1.19	1251	1.25	1290	1.32	1328	1.39	1365	1.46

Air Volume cfm	External Static - in. w.g.															
	0.90		1.00		1.10		1.20		1.30		1.40		1.50		1.60	
	RPM	BHP	RPM	BHP	RPM	BHP	RPM	BHP	RPM	BHP	RPM	BHP	RPM	BHP	RPM	BHP
1600	1185	0.72	1228	0.75	1270	0.79	1310	0.83	1349	0.88	1387	0.93	1423	0.98	1459	1.03
1700	1209	0.78	1251	0.82	1292	0.87	1331	0.92	1370	0.97	1407	1.02	1443	1.07	1478	1.12
1800	1234	0.86	1275	0.91	1315	0.96	1354	1.01	1391	1.06	1428	1.11	1463	1.17	1498	1.22
1900	1260	0.95	1300	1.00	1340	1.05	1377	1.11	1414	1.16	1450	1.22	1485	1.27	1519	1.32
2000	1287	1.04	1326	1.10	1365	1.16	1402	1.21	1437	1.27	1472	1.33	1507	1.38	1541	1.43
2100	1314	1.15	1353	1.21	1391	1.27	1427	1.33	1462	1.39	1496	1.44	1530	1.50	1564	1.55
2200	1343	1.26	1381	1.33	1417	1.39	1453	1.45	1487	1.51	1521	1.56	1555	1.62	1589	1.67
2300	1372	1.39	1409	1.45	1445	1.52	1480	1.58	1513	1.64	1547	1.69	1580	1.75	1614	1.80
2400	1402	1.52	1438	1.59	1473	1.65	1507	1.71	1541	1.77	1574	1.83	1607	1.88	1641	1.93

**BLOWER DATA**

**ZCB074**

**BLOWER TABLE INCLUDES RESISTANCE FOR BASE UNIT ONLY WITH DRY INDOOR COIL AND AIR FILTERS IN PLACE.**

FOR ALL UNITS ADD:

1 - Any factory installed options air resistance (heat section, economizer, wet coil, etc.).

2 - Any field installed accessories air resistance (duct resistance, diffuser, etc.).

See page 21 for blower motors and drives and wet coil and options/accessory air resistance data.

**DOWNFLOW**

Air Volume cfm	External Static - in. w.g.															
	0.10		0.20		0.30		0.40		0.50		0.60		0.70		0.80	
	RPM	BHP	RPM	BHP	RPM	BHP	RPM	BHP	RPM	BHP	RPM	BHP	RPM	BHP	RPM	BHP
1900	578	0.44	610	0.49	643	0.54	678	0.60	714	0.65	749	0.70	785	0.76	819	0.82
2000	600	0.50	632	0.56	665	0.61	699	0.66	734	0.71	769	0.77	803	0.83	837	0.90
2100	623	0.57	655	0.62	688	0.68	721	0.73	755	0.79	789	0.84	822	0.91	854	0.98
2200	647	0.65	678	0.70	711	0.75	743	0.81	776	0.86	809	0.93	841	1.00	872	1.06
2300	671	0.73	702	0.78	734	0.83	766	0.89	798	0.95	829	1.02	860	1.09	890	1.16
2400	696	0.81	726	0.87	757	0.92	788	0.98	819	1.04	850	1.11	880	1.19	909	1.26
2500	720	0.90	750	0.95	780	1.01	811	1.07	841	1.14	871	1.22	900	1.30	929	1.37
2600	745	0.99	774	1.05	804	1.11	834	1.17	864	1.25	893	1.33	921	1.41	949	1.49
2700	770	1.09	799	1.15	828	1.21	858	1.28	887	1.36	916	1.44	943	1.53	969	1.61
2800	795	1.19	824	1.25	853	1.33	882	1.40	911	1.48	939	1.56	965	1.65	990	1.73
2900	820	1.30	849	1.37	878	1.45	907	1.53	935	1.61	962	1.70	988	1.78	1012	1.86

Air Volume cfm	External Static - in. w.g.															
	0.90		1.00		1.10		1.20		1.30		1.40		1.50		1.60	
	RPM	BHP	RPM	BHP	RPM	BHP	RPM	BHP	RPM	BHP	RPM	BHP	RPM	BHP	RPM	BHP
1900	853	0.88	885	0.94	915	0.99	944	1.05	971	1.11	996	1.17	1021	1.23	1045	1.29
2000	869	0.96	899	1.01	929	1.07	957	1.13	984	1.19	1009	1.25	1033	1.31	1058	1.38
2100	885	1.04	915	1.10	944	1.15	971	1.22	997	1.28	1022	1.34	1046	1.40	1070	1.46
2200	902	1.13	931	1.19	959	1.24	986	1.31	1012	1.37	1036	1.43	1060	1.50	1084	1.56
2300	920	1.23	948	1.29	975	1.35	1001	1.41	1027	1.47	1051	1.53	1075	1.60	1098	1.66
2400	938	1.33	965	1.39	992	1.45	1017	1.52	1042	1.58	1066	1.64	1090	1.70	1113	1.77
2500	956	1.44	983	1.51	1009	1.57	1034	1.63	1059	1.69	1082	1.75	1105	1.82	1128	1.88
2600	975	1.56	1001	1.63	1026	1.69	1051	1.75	1075	1.81	1098	1.87	1121	1.93	1143	2.00
2700	995	1.68	1020	1.75	1044	1.81	1069	1.87	1092	1.93	1114	1.99	1136	2.06	1158	2.13
2800	1015	1.81	1039	1.87	1063	1.94	1086	2.00	1109	2.06	1131	2.12	1152	2.19	1174	2.26
2900	1035	1.94	1058	2.00	1081	2.07	1104	2.13	1126	2.19	1147	2.26	1168	2.33	1189	2.40

**HORIZONTAL**

Air Volume cfm	External Static - in. w.g.															
	0.10		0.20		0.30		0.40		0.50		0.60		0.70		0.80	
	RPM	BHP	RPM	BHP	RPM	BHP	RPM	BHP	RPM	BHP	RPM	BHP	RPM	BHP	RPM	BHP
1900	581	0.44	618	0.49	655	0.54	692	0.59	729	0.64	765	0.69	800	0.75	833	0.80
2000	602	0.50	639	0.55	676	0.61	713	0.66	749	0.71	784	0.76	818	0.82	850	0.88
2100	625	0.57	661	0.62	698	0.67	735	0.73	770	0.78	804	0.84	837	0.90	868	0.96
2200	648	0.64	685	0.69	721	0.75	757	0.80	791	0.86	824	0.92	856	0.98	886	1.05
2300	673	0.71	709	0.77	745	0.83	780	0.88	813	0.94	845	1.01	876	1.08	905	1.15
2400	699	0.79	734	0.85	769	0.91	803	0.97	835	1.04	866	1.11	896	1.18	924	1.25
2500	725	0.88	759	0.94	793	1.00	826	1.07	857	1.14	887	1.21	916	1.28	944	1.36
2600	752	0.97	785	1.04	818	1.10	850	1.17	880	1.25	909	1.32	937	1.40	964	1.48
2700	779	1.07	811	1.14	843	1.21	873	1.29	902	1.37	931	1.44	958	1.52	984	1.60
2800	805	1.18	837	1.26	868	1.33	897	1.41	925	1.49	952	1.57	979	1.66	1004	1.74
2900	832	1.30	863	1.38	892	1.46	921	1.54	948	1.63	974	1.71	1000	1.80	1024	1.88

Air Volume cfm	External Static - in. w.g.															
	0.90		1.00		1.10		1.20		1.30		1.40		1.50		1.60	
	RPM	BHP	RPM	BHP	RPM	BHP	RPM	BHP	RPM	BHP	RPM	BHP	RPM	BHP	RPM	BHP
1900	864	0.87	895	0.93	924	0.99	953	1.06	980	1.12	1007	1.18	1032	1.25	1056	1.31
2000	881	0.95	911	1.01	940	1.08	967	1.14	994	1.21	1020	1.27	1044	1.34	1068	1.40
2100	898	1.03	927	1.10	955	1.17	982	1.23	1008	1.30	1033	1.37	1057	1.43	1080	1.50
2200	916	1.12	944	1.19	971	1.26	998	1.33	1023	1.40	1047	1.47	1071	1.54	1093	1.60
2300	934	1.22	961	1.29	988	1.36	1014	1.43	1038	1.50	1062	1.58	1085	1.65	1107	1.71
2400	952	1.32	979	1.40	1005	1.47	1030	1.54	1054	1.62	1077	1.69	1099	1.76	1121	1.83
2500	971	1.43	997	1.51	1022	1.59	1046	1.66	1069	1.74	1092	1.81	1114	1.88	1135	1.95
2600	990	1.55	1015	1.63	1039	1.71	1063	1.79	1086	1.86	1108	1.94	1129	2.01	1150	2.07
2700	1009	1.68	1034	1.76	1057	1.84	1080	1.92	1102	1.99	1124	2.07	1145	2.14	1166	2.21
2800	1028	1.82	1052	1.9	1075	1.98	1097	2.06	1119	2.13	1140	2.21	1161	2.28	1182	2.34
2900	1048	1.96	1071	2.04	1093	2.12	1115	2.20	1136	2.28	1157	2.35	1177	2.42	1198	2.48

## BLOWER DATA

### BELT DRIVE KIT SPECIFICATIONS - ZCB036-060

Model No.	Motor HP		No. of Speeds	Drive Kits and RPM Range					
	Nominal	Maximum		ZA01	ZA02	ZA03	ZA04	<sup>3</sup> ZA05	<sup>3</sup> ZA06
ZCB036	<sup>1</sup> 0.75	0.86	1	678 - 1035	---	---	964 - 1471	---	---
	<sup>2</sup> 1	1.15	1	678 - 1035	---	---	964 - 1471	---	---
	<sup>1</sup> 1.5	1.7	1	678 - 1035	---	---	964 - 1471	---	---
ZCB048	<sup>1</sup> 0.75	0.86	1	---	803 - 1226	---	---	---	---
	<sup>2</sup> 1	1.15	1	---	803 - 1226	---	---	---	---
	<sup>1</sup> 1.5	1.7	1	---	803 - 1226	---	---	1098 - 1490	---
ZCB060	<sup>1</sup> 0.75	0.86	1	---	---	906 - 1383	---	---	---
	<sup>2</sup> 1	1.15	1	---	---	906 - 1383	---	---	---
	<sup>1</sup> 1.5	1.7	1	---	---	906 - 1383	---	---	1262 - 1634

### BELT DRIVE KIT SPECIFICATIONS - ZCB074T

Model No.	Motor HP		No. of Speeds	Drive Kits and RPM Range		
	Nominal	Maximum		ZAA02	ZAA03	ZAA04
ZCB074S4T	2	2.3	2	632 - 875	798 - 1105	921 - 1228

NOTE - Using total air volume and system static pressure requirements determine from blower performance tables rpm and motor hp required. Maximum usable hp of motors furnished are shown. In Canada, nominal motor hp is also maximum usable motor hp. If motors of comparable hp are used, be sure to keep within the service factor limitations outlined on the motor nameplate.

<sup>1</sup> 0.75 and 1.5 hp motors are only available for 208/230V-1ph applications.

<sup>2</sup> 1 hp blower motor is not available for 208/230V-1ph applications.

<sup>3</sup> 1.5 hp blower motor is required with the ZA05 and ZA06 drive kits.

### POWER EXHAUST FAN PERFORMANCE

Return Air System Static Pressure - in. w.g.	Air Volume Exhausted cfm
0.00	1865
0.05	1785
0.10	1710
0.15	1630
0.20	1545
0.25	1450
0.30	1350
0.35	1240



## BLOWER DATA

### OPTIONS / ACCESSORIES AIR RESISTANCE - in. w.g.

Air Volume cfm	Wet Indoor Coil		Electric Heat	Economizer	
	ZCB036, ZCB048	ZCB060, ZCB074		Downflow	Horizontal
900	0.01	---	0.05	0.03	0.04
1000	0.02	---	0.06	0.03	0.05
1100	0.02	---	0.08	0.04	0.05
1200	0.02	---	0.09	0.05	0.06
1300	0.03	---	0.12	0.05	0.07
1400	0.03	---	0.17	0.06	0.08
1500	0.04	---	0.22	0.07	0.08
1600	0.04	0.03	0.26	0.08	0.09
1700	0.05	0.03	0.30	0.09	0.10
1800	0.05	0.03	0.33	0.10	0.11
1900	0.06	0.04	0.33	0.11	0.12
2000	0.06	0.04	0.31	0.12	0.13
2100	---	0.05	0.27	0.13	0.14
2200	---	0.05	0.29	0.14	0.15
2300	---	0.05	0.31	0.15	0.16
2400	---	0.06	0.32	0.16	0.18
2500	---	0.06	0.34	0.18	0.19
2600	---	0.07	0.38	0.19	0.20
2700	---	0.07	0.42	0.20	0.21
2800	---	0.07	0.45	0.22	0.23
2900	---	0.08	0.49	0.23	0.24

## BLOWER DATA

### CEILING DIFFUSERS AIR RESISTANCE (in. w.g.)

Air Volume cfm	RTD9-65S Step-Down Diffuser			FD9-65S Flush Diffuser	RTD11-95S Step-Down Diffuser			FD11-95S Flush Diffuser
	2 Ends Open	1 Side & 2 Ends Open	All Ends & Sides Open		2 Ends Open	1 Side & 2 Ends Open	All Ends & Sides Open	
800	0.15	0.13	0.11	0.11	---	---	---	---
1000	0.19	0.16	0.14	0.14	---	---	---	---
1200	0.25	0.20	0.17	0.17	---	---	---	---
1400	0.33	0.26	0.20	0.20	---	---	---	---
1600	0.43	0.32	0.20	0.24	---	---	---	---
1800	0.56	0.40	0.30	0.30	0.13	0.11	0.09	0.09
2000	0.73	0.50	0.36	0.36	0.15	0.13	0.11	0.10
2200	0.95	0.63	0.44	0.44	0.18	0.15	0.12	0.12
2400	---	----	---	---	0.21	0.18	0.15	0.14
2600	---	----	---	---	0.24	0.21	0.18	0.17
2800	---	----	---	---	0.27	0.24	0.21	0.20
3000	---	----	---	---	0.32	0.29	0.25	0.25
3200	---	----	---	---	0.41	0.37	0.32	0.31
3400	---	----	---	---	0.50	0.45	0.39	0.37
3600	---	----	---	---	0.61	0.54	0.48	0.44

### CEILING DIFFUSER AIR THROW DATA

Air Volume - cfm	<sup>1</sup> Effective Throw - ft.	
Model No.	RTD9-65S	FD9-65S
800	10 - 17	14 - 18
1000	10 - 17	15 - 20
1200	11 - 18	16 - 22
1400	12 - 19	17 - 24
1600	12 - 20	18 - 25
1800	13 - 21	20 - 28
2000	14 - 23	21 - 29
2200	16 - 25	22 - 30
Model No.	RTD11-95S	FD11-95S
2600	24 - 29	19 - 24
2800	25 - 30	20 - 28
3000	27 - 33	21 - 29
3200	28 - 35	22 - 29
3400	30 - 37	22 - 30
3600	25 - 33	22 - 24

<sup>1</sup> Effective throw based on terminal velocities of 75 ft. per minute.

**ELECTRICAL/ELECTRIC HEAT DATA**

**3 TON**

Model No.		ZCB036S4							
<sup>1</sup> Voltage - 60Hz		208/230V - 1 Ph		208/230V - 3 Ph		460V - 3 Ph		575V - 3 Ph	
Compressor (Non-Inverter)	Rated Load Amps	15.3		8.7		4		3.6	
	Locked Rotor Amps	70		70		31		27	
Outdoor Fan Motor	Full Load Amps (1 Non-ECM)	1.7		1.7		0.9		0.7	
Power Exhaust (1) 0.5 HP	Full Load Amps	1.5		1.5		0.6		0.6	
Indoor Blower Motor	Horsepower	0.75	1.5	1	1.5	1	1.5	1	1.5
	Full Load Amps	7.6	11	4.6	6.6	2.1	3	1.7	2.4
<sup>2</sup> Maximum Overcurrent Protection (MOCP)	Unit Only	40	45	25	25	15	15	15	15
	With (1) 0.5 HP Power Exhaust	45	45	25	25	15	15	15	15
<sup>3</sup> Minimum Circuit Ampacity (MCA)	Unit Only	29	32	18	20	8	9	7	8
	With (1) 0.5 HP Power Exhaust	30	34	19	21	9	10	8	9

**ELECTRIC HEAT DATA**

Electric Heat Voltage			208	240	208	240	208	240	208	240	480	480	600	600
<sup>2</sup> Maximum Overcurrent Protection (MOCP)	Unit+ Electric Heat	5 kW	40	40	45	45	25	25	25	25	15	15	15	15
		7.5 kW	45	50	50	60	30	30	30	35	15	20	15	15
		10 kW	60	70	60	70	35	40	35	40	20	20	15	20
		15 kW	80	90	90	100	45	60	50	60	30	30	25	25
<sup>3</sup> Minimum Circuit Ampacity (MCA)	Unit+ Electric Heat	5 kW	33	36	37	40	19	21	22	24	11	12	9	10
		7.5 kW	44	49	48	53	26	29	28	31	14	16	12	13
		10 kW	55	62	59	66	32	36	35	39	18	19	15	16
		15 kW	78	88	82	92	45	51	48	54	26	27	21	22
<sup>2</sup> Maximum Overcurrent Protection (MOCP)	Unit+ Electric Heat and (1) 0.5 HP Power Exhaust	5 kW	45	45	45	45	25	25	25	30	15	15	15	15
		7.5 kW	50	60	50	60	30	35	30	35	15	20	15	15
		10 kW	60	70	70	70	35	40	40	45	20	20	15	20
		15 kW	80	90	90	100	50	60	50	60	30	30	25	25
<sup>3</sup> Minimum Circuit Ampacity (MCA)	Unit+ Electric Heat and (1) 0.5 HP Power Exhaust	5 kW	34	38	39	42	21	23	24	26	11	13	9	10
		7.5 kW	46	51	50	55	28	31	30	33	15	16	12	13
		10 kW	57	64	61	68	34	38	37	41	19	20	15	16
		15 kW	80	90	84	94	47	53	50	56	26	28	21	22

**ELECTRIC HEAT ACCESSORIES**

Unit Fuse Block	Unit Only	10A26	10A26	10A27	10A27	10A29	10A29
	Unit + Power Exhaust	10A26	10A26	10A27	10A27	10A29	10A29

NOTE - All units have a minimum Short Circuit Current Rating (SCCR) of 5000 amps.

<sup>1</sup> Extremes of operating range are plus and minus 10% of line voltage.

<sup>2</sup> HACR type breaker or fuse.

<sup>3</sup> Refer to National or Canadian Electrical Code manual to determine wire, fuse and disconnect size requirements.

**ELECTRICAL/ELECTRIC HEAT DATA**

**4 TON**

Model No.		ZCB048S4							
<sup>1</sup> Voltage - 60Hz		208/230V - 1 Ph		208/230V - 3 Ph		460V - 3 Ph		575V - 3 Ph	
Compressor (Non-Inverter)	Rated Load Amps	20		11		5.5		4.7	
	Locked Rotor Amps	99		86		37		34	
Outdoor Fan Motor	Full Load Amps (1 Non-ECM)	1.7		1.7		0.9		0.7	
Power Exhaust (1) 0.5 HP	Full Load Amps	1.5		1.5		0.6		0.6	
Indoor Blower Motor	Horsepower	0.75	1.5	1	1.5	1	1.5	1	1.5
	Full Load Amps	7.6	11	4.6	6.6	2.1	3	1.7	2.4
<sup>2</sup> Maximum Overcurrent Protection (MOCP)	Unit Only	50	50	30	30	15	15	15	15
	With (1) 0.5 HP Power Exhaust	50	50	30	30	15	15	15	15
<sup>3</sup> Minimum Circuit Ampacity (MCA)	Unit Only	35	38	21	23	10	11	9	9
	With (1) 0.5 HP Power Exhaust	36	40	22	24	11	12	9	10

**ELECTRIC HEAT DATA**

Electric Heat Voltage			208	240	208	240	208	240	208	240	480	480	600	600
<sup>2</sup> Maximum Overcurrent Protection (MOCP)	Unit+ Electric Heat	5 kW	50	50	50	50	30	30	30	30	15	15	15	15
		7.5 kW	50	50	50	60	30	30	30	35	15	20	15	15
		10 kW	60	70	60	70	35	40	35	40	20	20	15	20
		15 kW	80	90	90	100	45	60	50	60	30	30	25	25
		22.5 kW	125	150	125	150	70	80	70	80	40	40	30	35
<sup>3</sup> Minimum Circuit Ampacity (MCA)	Unit+ Electric Heat	5 kW	35	36	38	40	21	21	23	24	11	12	9	10
		7.5 kW	44	49	48	53	26	29	28	31	14	16	12	13
		10 kW	55	62	59	66	32	36	35	39	18	19	15	16
		15 kW	78	88	82	92	45	51	48	54	26	27	21	22
		22.5 kW	112	127	116	131	65	74	67	76	37	38	30	31
<sup>2</sup> Maximum Overcurrent Protection (MOCP)	Unit+ Electric Heat and (1) 0.5 HP Power Exhaust	5 kW	50	50	50	50	30	30	30	30	15	15	15	15
		7.5 kW	50	60	50	60	30	35	30	35	15	20	15	15
		10 kW	60	70	70	70	35	40	40	45	20	20	15	20
		15 kW	80	90	90	100	50	60	50	60	30	30	25	25
		22.5 kW	125	150	125	150	70	80	70	80	40	40	30	35
<sup>3</sup> Minimum Circuit Ampacity (MCA)	Unit+ Electric Heat and (1) 0.5 HP Power Exhaust	5 kW	36	38	40	42	22	23	24	26	11	13	9	10
		7.5 kW	46	51	50	55	28	31	30	33	15	16	12	13
		10 kW	57	64	61	68	34	38	37	41	19	20	15	16
		15 kW	80	90	84	94	47	53	50	56	26	28	21	22
		22.5 kW	113	129	118	133	67	76	69	78	38	39	30	31

**ELECTRIC HEAT ACCESSORIES**

Unit Fuse Block	Unit Only	10A26	10A26	10A27	10A27	10A29	10A29
	Unit + Power Exhaust	10A26	10A26	10A27	10A27	10A29	10A29

NOTE - All units have a minimum Short Circuit Current Rating (SCCR) of 5000 amps.

<sup>1</sup> Extremes of operating range are plus and minus 10% of line voltage.

<sup>2</sup> HACR type breaker or fuse.

<sup>3</sup> Refer to National or Canadian Electrical Code manual to determine wire, fuse and disconnect size requirements.

**ELECTRICAL/ELECTRIC HEAT DATA**

**5 TON**

Model No.		ZCB060S4							
<sup>1</sup> Voltage - 60Hz		208/230V - 1 Ph		208/230V - 3 Ph		460V - 3 Ph		575V - 3 Ph	
Compressor (Non-Inverter)	Rated Load Amps	22.1		13.5		8		5	
	Locked Rotor Amps	125		109		59		40	
Outdoor Fan Motor	Full Load Amps (1 Non-ECM)	1.7		1.7		0.9		0.7	
Power Exhaust (1) 0.5 HP	Full Load Amps	1.5		1.5		0.6		0.6	
Indoor Blower Motor	Horsepower	0.75	1.5	1	1.5	1	1.5	1	1.5
	Full Load Amps	7.6	11	4.6	6.6	2.1	3	1.7	2.4
<sup>2</sup> Maximum Overcurrent Protection (MOCP)	Unit Only	50	60	35	35	20	20	15	15
	With (1) 0.5 HP Power Exhaust	60	60	35	40	20	20	15	15
<sup>3</sup> Minimum Circuit Ampacity (MCA)	Unit Only	37	41	24	26	13	14	9	10
	With (1) 0.5 HP Power Exhaust	39	42	25	27	14	15	10	10

**ELECTRIC HEAT DATA**

Electric Heat Voltage			208	240	208	240	208	240	208	240	480	480	600	600
<sup>2</sup> Maximum Overcurrent Protection (MOCP)	Unit+ Electric Heat	5 kW	50	50	60	60	35	35	35	35	20	20	15	15
		7.5 kW	50	50	60	60	35	35	35	35	20	20	15	15
		10 kW	60	70	60	70	35	40	35	40	20	20	15	20
		15 kW	80	90	90	100	45	60	50	60	30	30	25	25
		22.5 kW	125	150	125	150	70	80	70	80	40	40	30	35
<sup>3</sup> Minimum Circuit Ampacity (MCA)	Unit+ Electric Heat	5 kW	37	37	41	41	24	24	26	26	13	14	9	10
		7.5 kW	44	49	48	53	26	29	28	31	14	16	12	13
		10 kW	55	62	59	66	32	36	35	39	18	19	15	16
		15 kW	78	88	82	92	45	51	48	54	26	27	21	22
		22.5 kW	112	127	116	131	65	74	67	76	37	38	30	31
<sup>2</sup> Maximum Overcurrent Protection (MOCP)	Unit+ Electric Heat and (1) 0.5 HP Power Exhaust	5 kW	60	60	60	60	35	35	40	40	20	20	15	15
		7.5 kW	60	60	60	60	35	35	40	40	20	20	15	15
		10 kW	60	70	70	70	35	40	40	45	20	20	15	20
		15 kW	80	90	90	100	50	60	50	60	30	30	25	25
		22.5 kW	125	150	125	150	70	80	70	80	40	40	30	35
<sup>3</sup> Minimum Circuit Ampacity (MCA)	Unit+ Electric Heat and (1) 0.5 HP Power Exhaust	5 kW	39	39	42	42	25	25	27	27	14	15	10	10
		7.5 kW	46	51	50	55	28	31	30	33	15	16	12	13
		10 kW	57	64	61	68	34	38	37	41	19	20	15	16
		15 kW	80	90	84	94	47	53	50	56	26	28	21	22
		22.5 kW	113	129	118	133	67	76	69	78	38	39	30	31

**ELECTRIC HEAT ACCESSORIES**

Unit Fuse Block	Unit Only	10A26	10A26	10A28	10A28	10A29	10A29
	Unit + Power Exhaust	10A26	10A26	10A28	10A28	10A29	10A29

NOTE - All units have a minimum Short Circuit Current Rating (SCCR) of 5000 amps.

<sup>1</sup> Extremes of operating range are plus and minus 10% of line voltage.

<sup>2</sup> HACR type breaker or fuse.

<sup>3</sup> Refer to National or Canadian Electrical Code manual to determine wire, fuse and disconnect size requirements.

## ELECTRICAL/ELECTRIC HEAT DATA

Model No.

ZCB074S4T

<sup>1</sup> Voltage - 60Hz		208/230V - 3 Ph	460V - 3 Ph	575V - 3 Ph
Compressor (Non-Inverter)	Rated Load Amps	17.6	8.5	6.3
	Locked Rotor Amps	136	66.1	55.3
Outdoor Fan Motors	Full Load Amps (1 Non-ECM)	1.7	1	0.9
Power Exhaust (1) 0.5 HP	Full Load Amps	2.4	1.3	1
Indoor Blower Motor	Horsepower	2	2	2
	Full Load Amps	7.5	3.4	2.7
<sup>2</sup> Maximum Overcurrent Protection (MOCP)	Unit Only	45	20	15
	with (1) 0.5 HP Power Exhaust	50	20	15
<sup>3</sup> Minimum Circuit Ampacity (MCA)	Unit Only	32	16	12
	with (1) 0.5 HP Power Exhaust	34	17	13

### ELECTRIC HEAT DATA

Electric Heat Voltage			208V	240V	480V	600V
<sup>2</sup> Maximum Overcurrent Protection (MOCP)	Unit + Electric Heat	7.5 kW	45	45	20	15
		10 kW	45	45	20	20
		15 kW	50	60	30	25
		22.5 kW	70	80	40	35
		30 kW	90	100	50	40
<sup>3</sup> Minimum Circuit Ampacity (MCA)	Unit + Electric Heat	7.5 kW	32	32	16	13
		10 kW	36	40	20	16
		15 kW	49	55	27	22
		22.5 kW	69	78	39	31
		30 kW	88	100	50	40
<sup>2</sup> Maximum Overcurrent Protection (MOCP)	Unit+ Electric Heat and (1) 0.5 HP Power Exhaust	7.5 kW	50	50	20	15
		10 kW	50	50	25	20
		15 kW	60	60	30	25
		22.5 kW	80	90	40	35
		30 kW	100	110	60	45
<sup>3</sup> Minimum Circuit Ampacity (MCA)	Unit+ Electric Heat and (1) 0.5 HP Power Exhaust	7.5 kW	34	35	18	14
		10 kW	39	43	21	17
		15 kW	52	58	29	23
		22.5 kW	72	81	40	32
		30 kW	91	103	51	41

### ELECTRICAL ACCESSORIES

Unit Fuse Block	Unit Only	10A28	10A28	10A29	10A29
	Unit + Power Exhaust	10A28	10A28	10A29	10A29

NOTE - All units have a minimum Short Circuit Current Rating (SCCR) of 5000 amps.

<sup>1</sup> Extremes of operating range are plus and minus 10% of line voltage.

<sup>2</sup> HACR type breaker or fuse.

<sup>3</sup> Refer to National or Canadian Electrical Code manual to determine wire, fuse and disconnect size requirements.



## ELECTRIC HEAT CAPACITIES

Input Voltage	5 kW			7.5 kW			10 kW		
	No of Stages	kW input	Btuh Output	No of Stages	kW input	Btuh Output	No of Stages	kW input	Btuh Output
208	1	3.8	12,800	1	5.6	19,200	1	7.5	25,600
220	1	4.2	14,300	1	6.3	21,500	1	8.4	28,700
230	1	4.6	15,700	1	6.9	23,500	1	9.2	31,400
240	1	5.0	17,100	1	7.5	25,600	1	10.0	34,200
440	1	4.2	14,300	1	6.3	21,500	1	8.4	28,700
460	1	4.6	15,700	1	6.9	23,500	1	9.2	31,400
480	1	5.0	17,100	1	7.5	25,600	1	10.0	34,200
550	1	4.2	14,300	1	6.3	21,500	1	8.4	28,700
575	1	4.6	15,700	1	6.9	23,500	1	9.2	31,400
600	1	5.0	17,100	1	7.5	25,600	1	10.0	34,200
Input Voltage	15 kW			22.5 kW			30 kW		
	No of Stages	kW input	Btuh Output	No of Stages	kW input	Btuh Output	No of Stages	kW input	Btuh Output
208	1	11.2	38,400	1	16.9	57,700	1	22.5	76,800
220	1	12.6	43,000	1	18.9	64,500	1	25.2	86,000
230	1	13.8	47,000	1	20.7	70,700	1	27.5	93,900
240	1	15.0	51,200	1	22.5	76,800	1	30.0	102,400
440	1	12.6	43,000	1	18.9	64,500	1	25.2	86,000
460	1	13.8	47,000	1	20.7	70,700	1	27.5	93,900
480	1	15.0	51,200	1	22.5	76,800	1	30.0	102,400
550	1	12.6	43,000	1	18.9	64,500	1	25.2	86,000
575	1	13.8	47,000	1	20.7	70,700	1	27.5	93,900
600	1	15.0	51,200	1	22.5	76,800	1	30.0	102,400

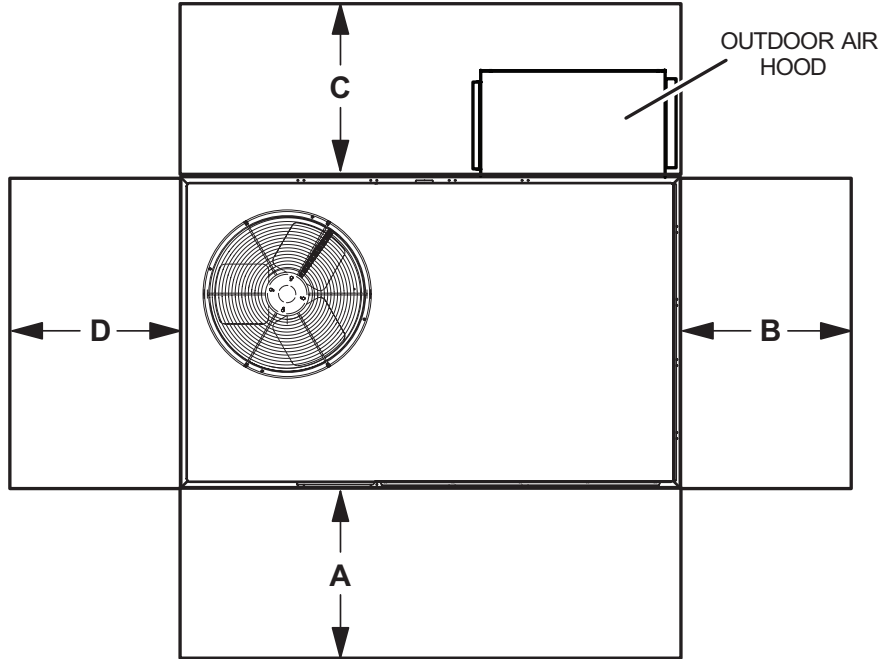
## OUTDOOR SOUND DATA

Unit Model No.	Octave Band Sound Power Levels dBA, re 10 <sup>-12</sup> Watts - Center Frequency - Hz							1 Sound Rating Number dBA
	125	250	500	1000	2000	4000	8000	
ZCB036	66	70	73	72	70	67	60	78
ZCB048	68	71	75	74	71	68	63	80
ZCB060	64	68	72	73	69	67	63	78
ZCB074	73	76	80	78	73	68	66	84

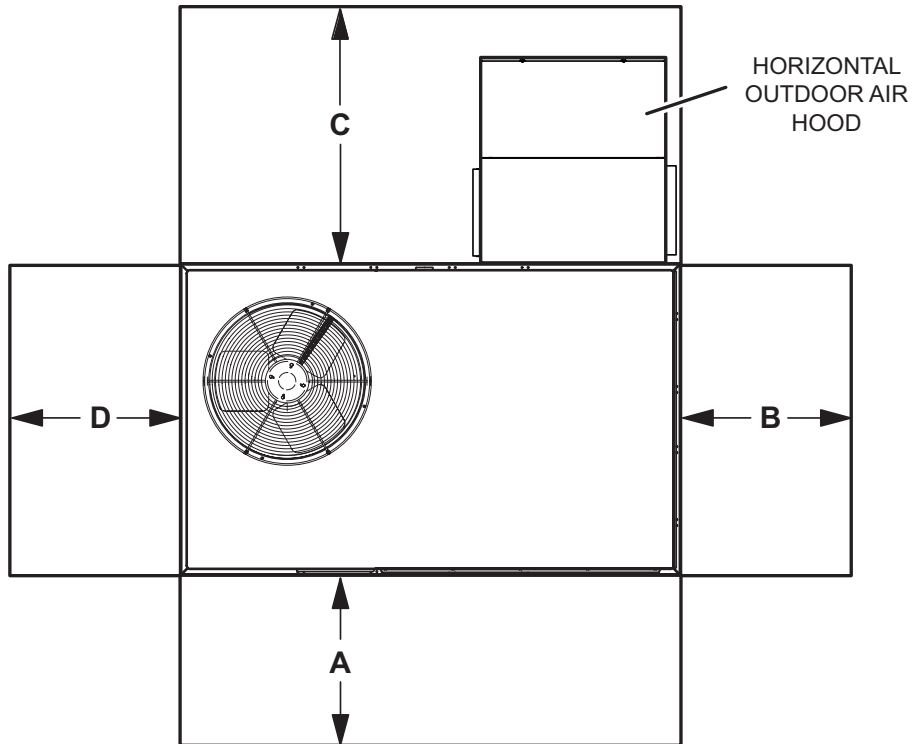
<sup>1</sup> Sound Rating Number according to AHRI Standard 270-2008. Sound Rating Number is the overall A-Weighted Sound Power Level, (LWA), dB (100 Hz to 10,000 Hz).

# UNIT CLEARANCES

## UNIT WITH DOWNFLOW ECONOMIZER



## UNIT WITH HORIZONTAL ECONOMIZER



<sup>1</sup> Unit Clearance	A		B		C Downflow		C Horizontal		D		Top Clearance
	in.	mm	in.	mm	in.	mm	in.	mm	in.	mm	
<b>Service Clearance</b>	36	914	36	914	36	914	60	1524	36	914	<b>Unobstructed</b>
<b>Minimum Operation Clearance</b>	36	914	36	914	36	914	60	1524	36	914	

NOTE - Entire perimeter of unit base requires support when elevated above the mounting surface.

<sup>1</sup> Service Clearance - Required for removal of serviceable parts.

Minimum Operation Clearance - Required clearance for proper unit operation.

## WEIGHT DATA

Model Number	Net				Shipping			
	Base		Max.		Base		Max.	
	lbs.	kg	lbs.	kg	lbs.	kg	lbs.	kg
ZCB036S	474	215	544	247	479	217	549	249
ZCB048S	483	219	553	251	488	221	558	253
ZCB060S	568	258	640	290	573	260	645	293
ZCB074S	568	258	621	282	573	260	626	284

Base Unit - The unit with NO OPTIONS.

Max. Unit - The unit with ALL OPTIONS Installed. (Economizer, etc.)

## OPTIONS / ACCESSORIES

	Shipping Weights		
	lbs.	kg	
<b>ECONOMIZER / OUTDOOR AIR / POWER EXHAUST</b>			
<b>Economizer</b>			
Downflow	75	34	
Horizontal	102	46	
<b>Outdoor Air Dampers</b>			
Motorized	39	18	
Manual	29	13	
<b>Power Exhaust</b>			
Downflow	54	24	
Horizontal	41	19	
<b>ELECTRIC HEAT</b>			
5 kW	25	11	
7.5 kW	26	12	
10 kW	27	12	
15 kW	27	12	
22.5 kW	29	13	
30 kW	30	14	
<b>COIL/HAIL GUARDS</b>			
036/048	45	20	
060/074	50	23	
<b>ROOF CURBS</b>			
<b>Hybrid Roof Curbs, Downflow</b>			
8 in. height	63	29	
14 in. height	83	38	
18 in. height	93	42	
24 in. height	113	51	
<b>CEILING DIFFUSERS</b>			
Step-Down	RTD9-65S	80	36
	RTD11-95S	118	54
Flush	FD9-65S	80	36
	FD11-95S	118	54

## DIMENSIONS - UNIT

Model No.	CORNER WEIGHTS																CENTER OF GRAVITY							
	AA				BB				CC				DD				EE				FF			
	Base		Max.		Base		Max.		Base		Max.		Base		Max.		Base		Max.		Base		Max.	
	lbs.	kg	lbs.	kg	lbs.	kg	lbs.	kg	lbs.	kg	lbs.	kg	lbs.	kg	in.	mm	in.	mm	in.	mm	in.	mm	in.	mm
036	117	53	134	61	112	51	129	59	120	54	138	63	125	57	143	65	38.75	984	36.75	933	22.75	578	24.5	622
048	119	54	136	62	115	52	131	59	122	55	140	64	127	58	145	66	38.75	984	36.75	933	22.75	578	24.5	622
060	156	71	176	80	140	64	158	72	129	59	145	66	143	65	161	73	40	1016	38	965	24.5	622	26	660
074	136	62	149	68	136	62	149	68	148	67	162	73	148	67	162	73	38	965	36	914	22.5	572	24	610

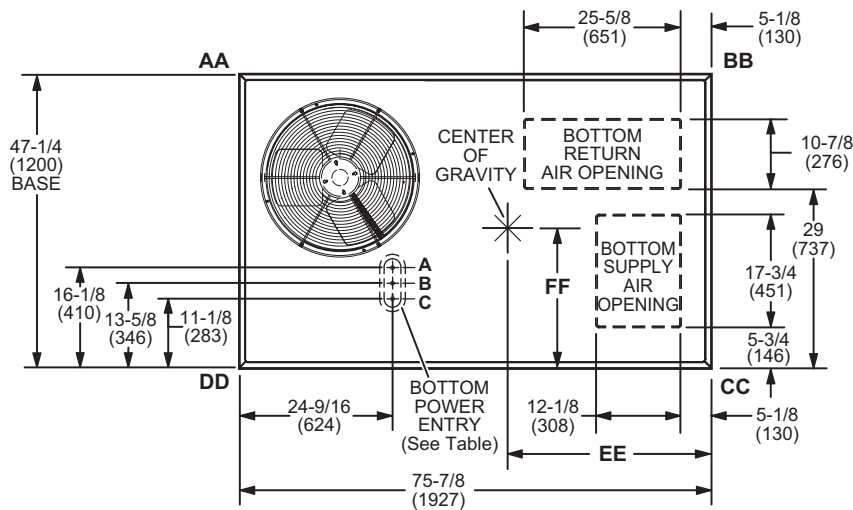
Base Unit - The unit with NO OPTIONS.

Max. Unit - The unit with ALL OPTIONS Installed. (Economizer, largest blower motor, etc.).

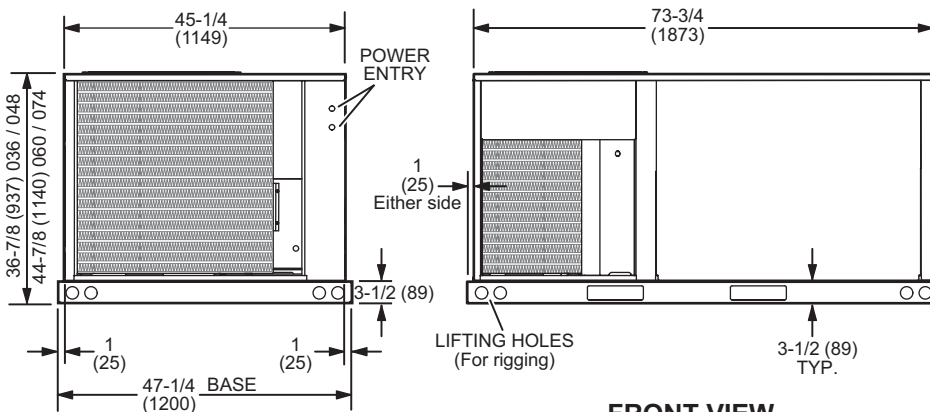
### BOTTOM POWER ENTRY

Holes required for Optional Bottom Power Entry Kit

	Threaded Conduit Fittings (Provided in Kit)	Wire Use	Hole Diameter Required in Unit Base (Max.)
A	1/2	ACC	7/8 (23)
B	1/2	24V	7/8 (23)
C	3/4	POWER	1-1/8 (29)

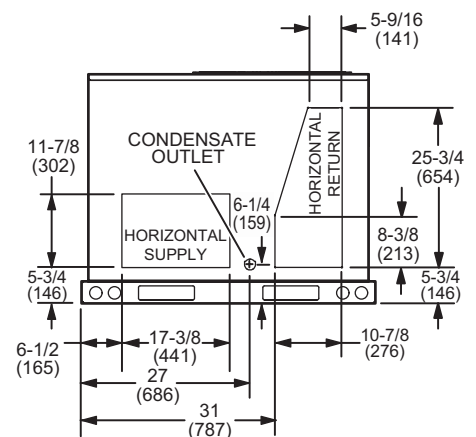


TOP VIEW (Base)



FRONT VIEW

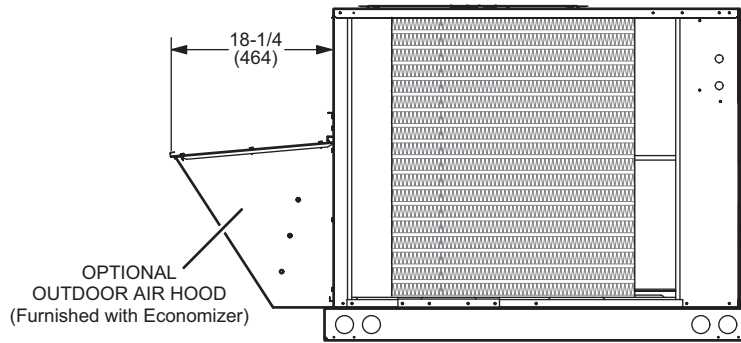
END VIEW



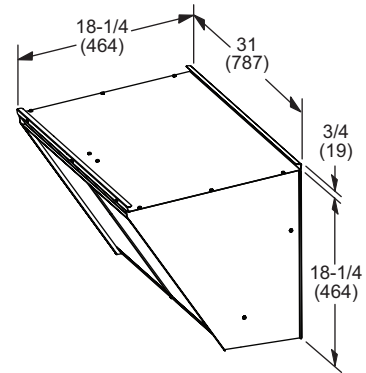
END VIEW

# DIMENSIONS - ACCESSORIES

## OUTDOOR AIR HOOD DETAIL FOR OPTIONAL ECONOMIZER (Downflow Applications)

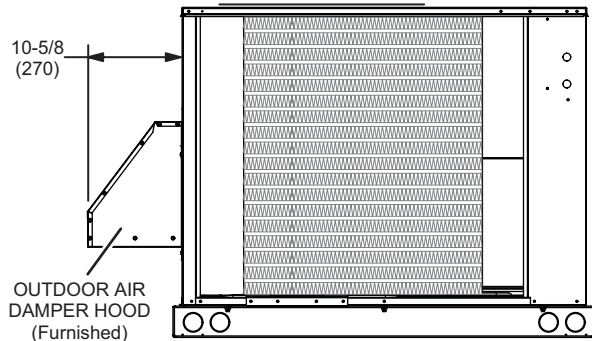


**SIDE VIEW**



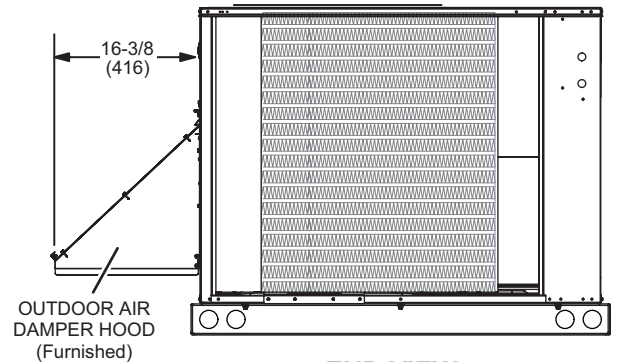
## OUTDOOR AIR DAMPER HOOD DETAIL (Downflow or Horizontal Applications)

### MANUAL OUTDOOR AIR HOOD

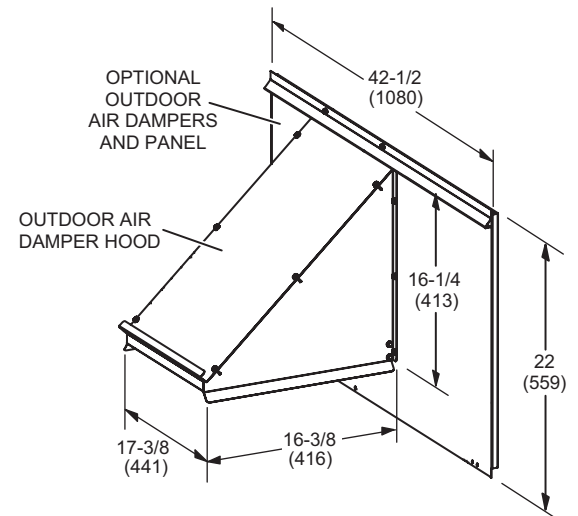
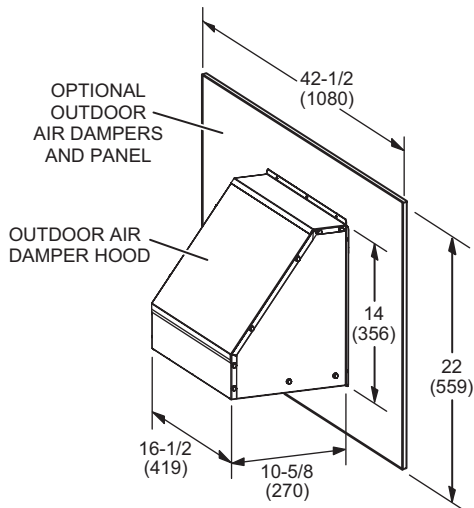


**END VIEW**

### MOTORIZED OUTDOOR AIR HOOD

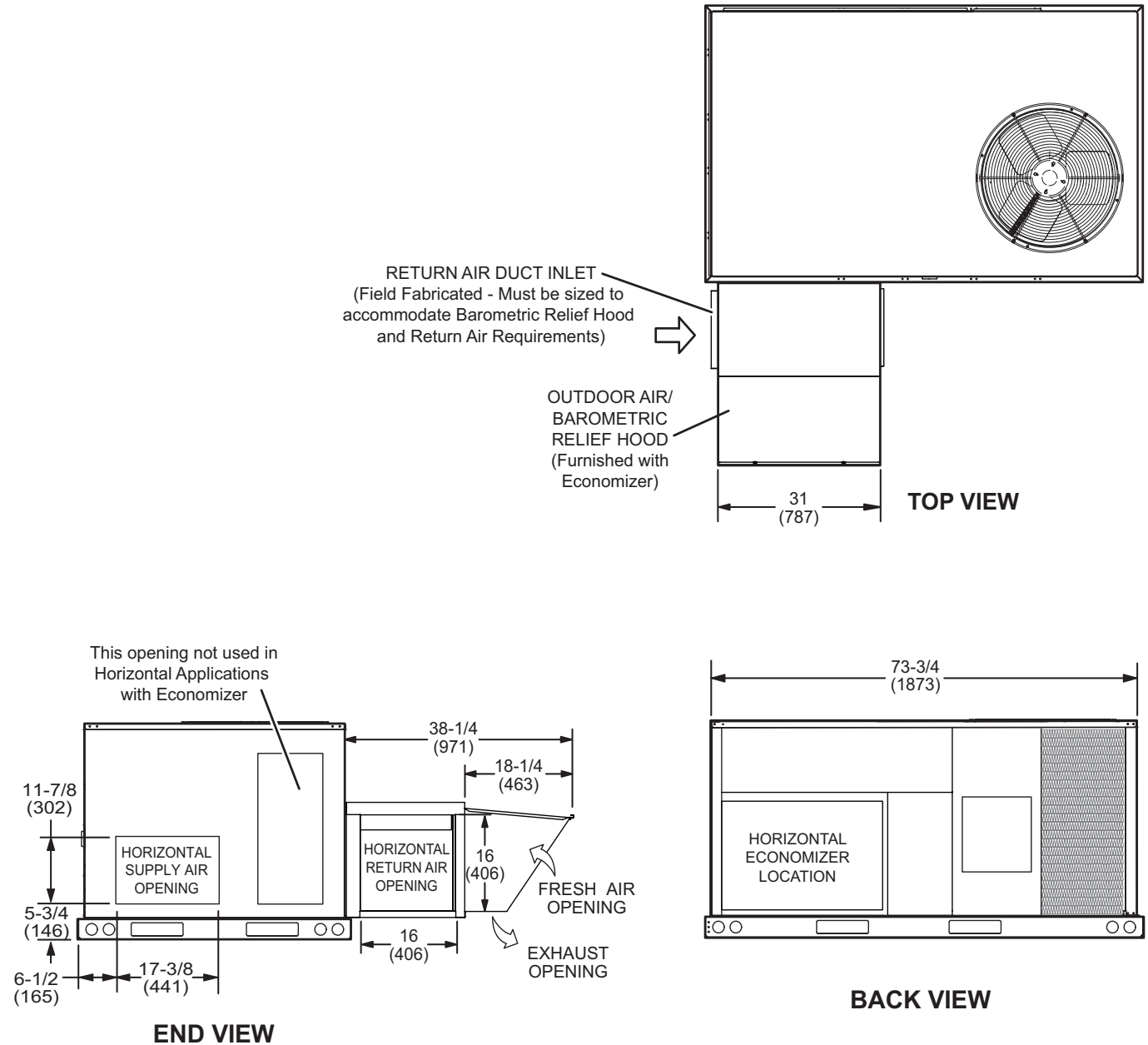


**END VIEW**



## DIMENSIONS - ACCESSORIES

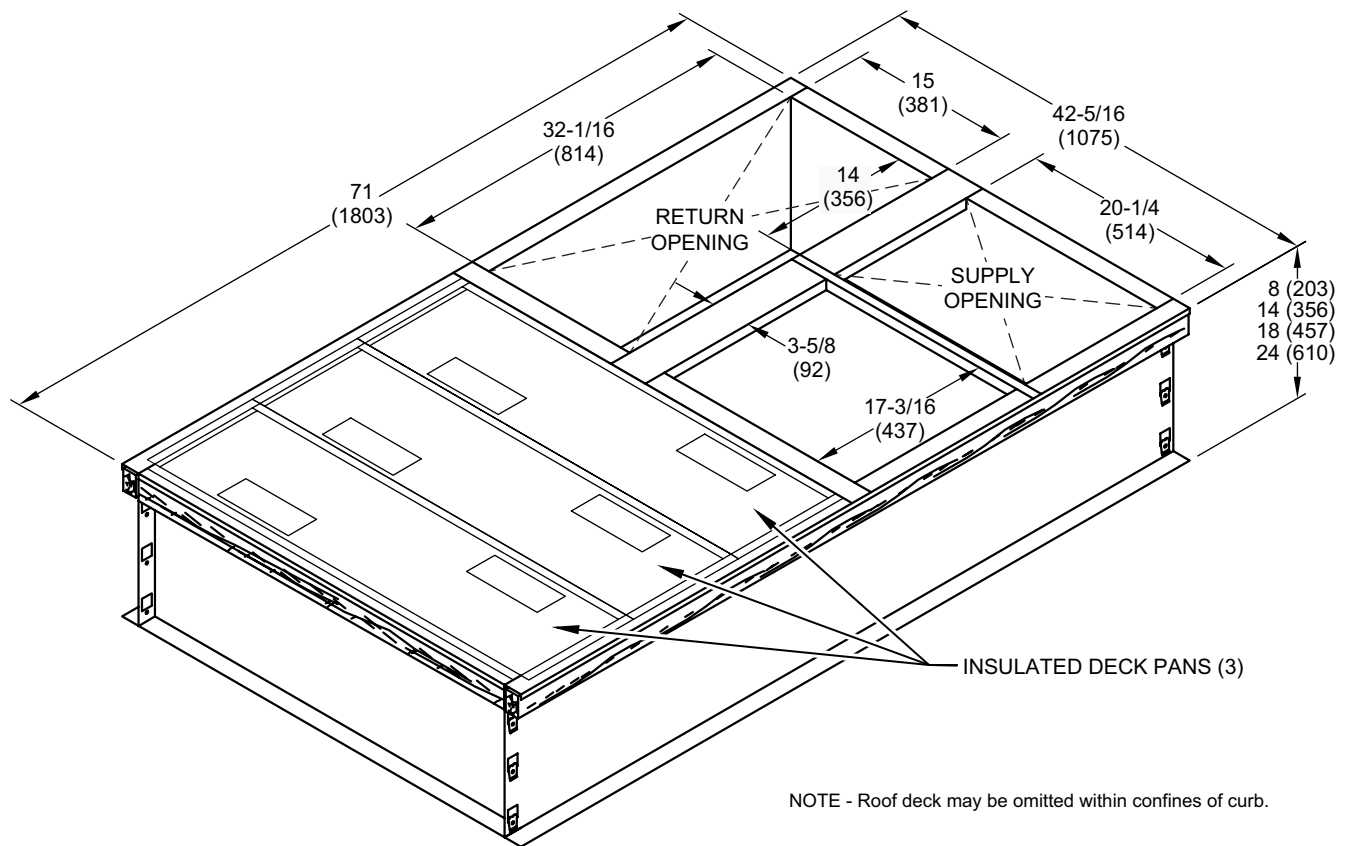
### OUTDOOR AIR HOOD DETAIL WITH OPTIONAL ECONOMIZER AND BAROMETRIC RELIEF DAMPERS (Horizontal Applications)



Note - Return Air Duct and Transition must be supported.

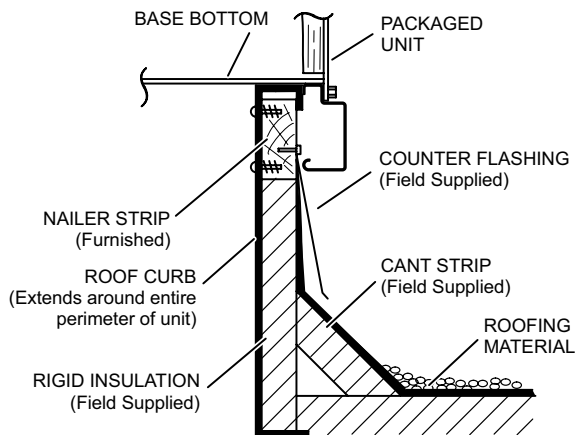
# DIMENSIONS - ACCESSORIES

## HYBRID ROOF CURBS - DOUBLE DUCT OPENING

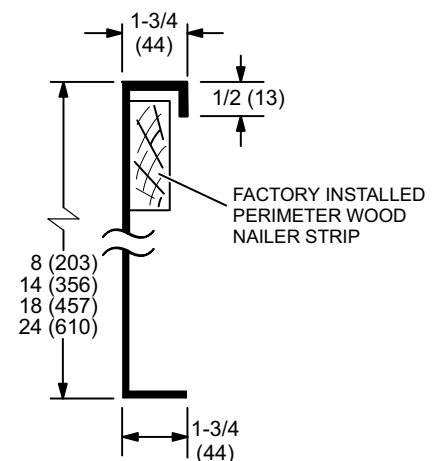


NOTE - Roof deck may be omitted within confines of curb.

### TYPICAL FLASHING DETAIL FOR ROOF CURB



### DETAIL ROOF CURB

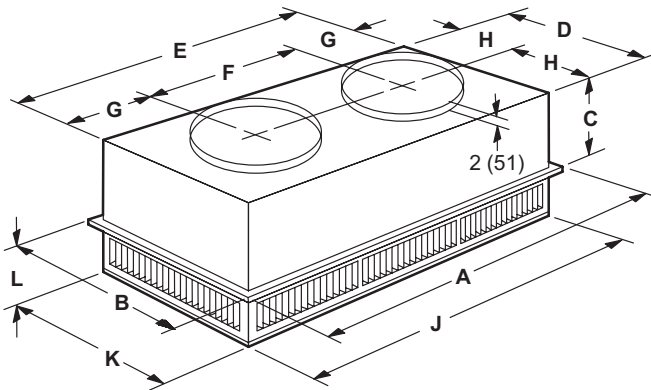




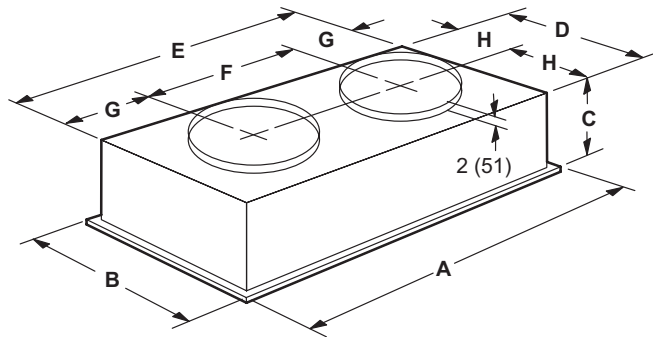
## DIMENSIONS - ACCESSORIES

### COMBINATION CEILING SUPPLY AND RETURN DIFFUSERS

#### STEP-DOWN CEILING DIFFUSER



#### FLUSH CEILING DIFFUSER



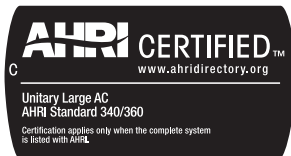
Model Number		RTD9-65S	RTD11-95S
A	in.	47-5/8	47-5/8
	mm	1159	1159
B	in.	23-5/8	29-5/8
	mm	600	752
C	in.	11-3/8	14-3/8
	mm	289	365
D	in.	21-1/2	27-1/2
	mm	546	699
E	in.	45-1/2	45-1/2
	mm	1156	1158
F	in.	22-1/2	22-1/2
	mm	572	572
G	in.	11-1/2	11-1/2
	mm	292	292
H	in.	10-3/4	13-3/4
	mm	273	349
J	in.	45-1/2	45-1/2
	mm	1156	1156
K	in.	21-1/2	27-1/2
	mm	546	699
L	in.	7-1/8	8-1/8
	mm	181	206
Duct Size	in.	18 round	20 round
	mm	457 round	508 round

Model Number		FD9-65S	FD11-95S
A	in.	47-5/8	47-5/8
	mm	1159	1159
B	in.	23-5/8	29-5/8
	mm	600	752
C	in.	13-1/2	16-5/8
	mm	343	422
D	in.	21	27
	mm	533	686
E	in.	45	45
	mm	1143	1143
F	in.	22-1/2	22-1/2
	mm	572	572
G	in.	11-1/4	11-1/4
	mm	286	286
H	in.	10-1/2	13-1/2
	mm	267	343
Duct Size	in.	18 round	20 round
	mm	457 round	508 round



## REVISIONS

Sections	Description of Change
Options/Accessories	CO2 Sensor usage updated.



Visit us at [www.Lennox.com](http://www.Lennox.com)

For the latest technical information, [www.LennoxCommercial.com](http://www.LennoxCommercial.com)

Contact us at 1-800-4-LENNOX

NOTE - Due to Lennox' ongoing commitment to quality, Specifications, Ratings and Dimensions subject to change without notice and without incurring liability. Improper installation, adjustment, alteration, service or maintenance can cause property damage or personal injury. Installation and service must be performed by a qualified installer and servicing agency.

©2023 Lennox Industries, Inc.