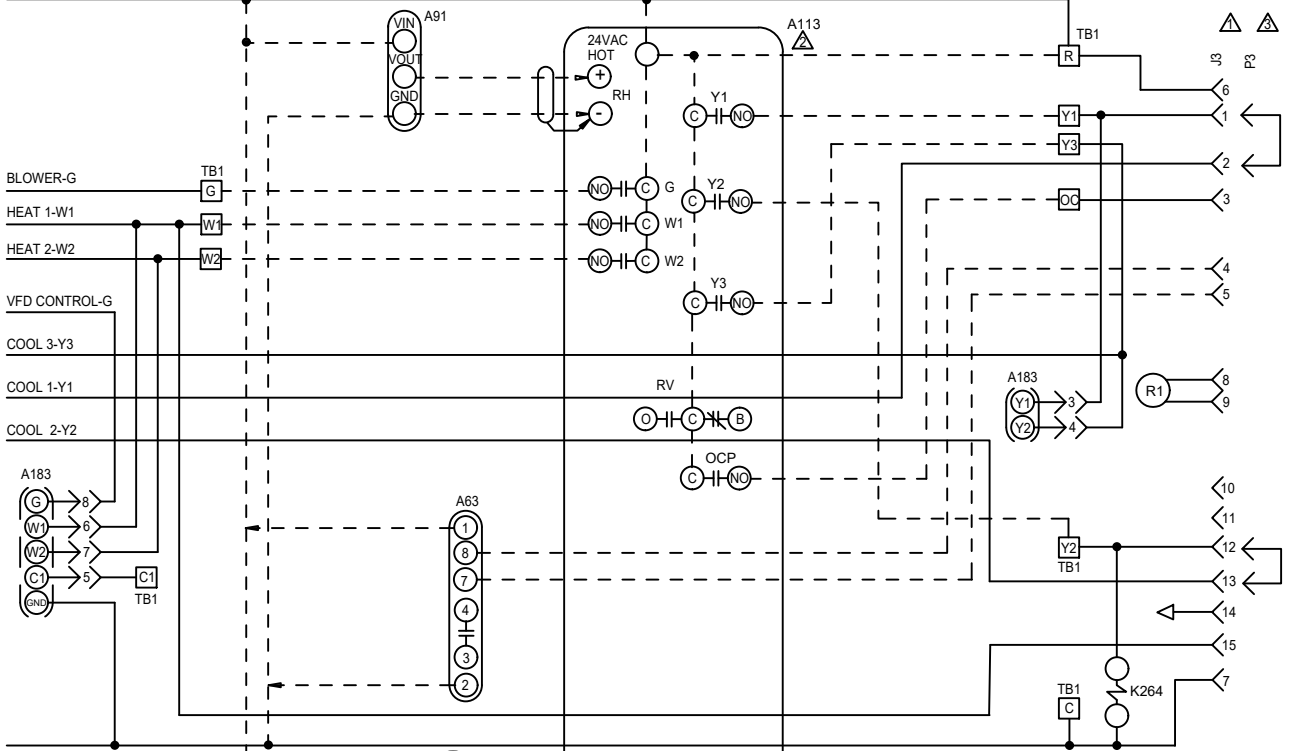
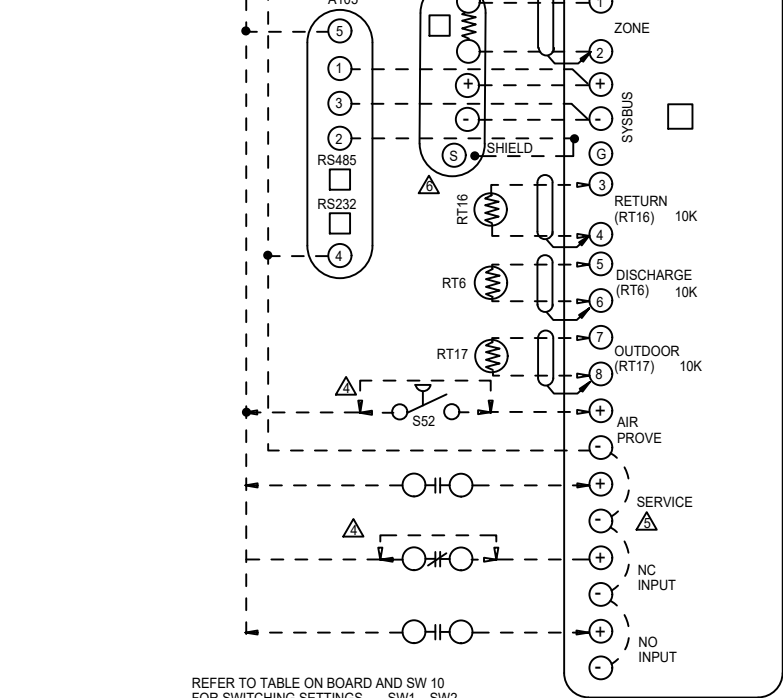


24V POWER-R




24V COMMON-G



REFER TO TABLE ON BOARD AND SW 10 FOR SWITCHING SETTINGS  
 GAS HEAT SW1 ON ON  
 ELECTRIC HEAT SW2 ON OFF

KEY	DESCRIPTION
A2	SENSOR-ELECTRONIC
A63	SENSOR-CO2
A91	SENSOR-HUMIDITY
A105	CONTROL PANEL-L CONNECTION
A113	CONTROL-NETWORK THERMOSTAT
A183	CONTROL-VFD BOARD
J3	JACK-UNIT ECONOMIZER
K264	RELAY-A96 SIGNAL SWITCHING
P3	PLUG-LESS ECONOMIZER
R1	SENSOR-MIXED OR SUPPLY AIR
RT6	SENSOR-DISCHARGE
RT16	SENSOR-RETURN AIR TEMP
RT17	SENSOR-OUTSIDE AIR TEMP
S52	SWITCH-AIRFLOW
TB1	TERMINAL STRIP-CLASS II VOLT

- ▲ SYSBUS CONNECTION TO A2 IS OPTIONAL
  - ▲ SEE BLOCK 3 IN INSTRUCTIONS FOR ALARM PARAMETERS
  - ▲ INSTALL JUMPER IF CONTACTS NOT USED
  - ▲ REMOVE P3 WHEN ECONOMIZER IS USED
  - ▲ THERMOSTAT SUPPLIED BY USER
  - ▲ J3 MAXIMUM LOAD 20VA 24VAC CLASS II
- - - - - LOW VOLTAGE FIELD WIRING  
 ———— FACTORY WIRING  
 ———— INDICATES OPTIONAL COMPONENTS

2022/08		WIRING DIAGRAM	08/22
		537942-02	
ACCESSORIES			
NETWORK THERMOSTAT CONTROL EL_XA UNITS			
TEMPERATURE CONTROL SECTION C			REV 0
Supersedes 537942-01		New Form No. 537942-02	