



# SUBMITTAL DATA – WALL MOUNTED

## MLA012S4S-1P – MWMA012S4-3P

### SINGLE ZONE MINI-SPLIT HEAT PUMP

**Job:** \_\_\_\_\_  
**Location:** \_\_\_\_\_  
**Schedule No.:** \_\_\_\_\_  
**System Designation:** \_\_\_\_\_

**Engineer:** \_\_\_\_\_  
**Architect:** \_\_\_\_\_  
**Date:** \_\_\_\_\_  
**For:**  Reference  Approval  Review  Construction

## FEATURES

**Outdoor Unit: MLA012S4S-1P**

**Indoor Unit: MWMA012S4-3P**



- Low Ambient Heating/Cooling
- DC Inverter Control
- Compressor Overcurrent Protection
- Base Dancer
- Defrost Control

- Pre Heat Function
- Auto Restart
- Three Selectable Fan Speeds
- Flare Connections
- LED Readout
- Wireless Remote Included

## PIPING

### Line Set and Elevation Guidelines

Maximum Line Set Length ft. (m)	82 ft. (25 m)
Maximum Elevation - Outdoor Unit Below/Above Indoor Unit ft. (m)	33 ft. (10m)
Liquid Line Set Diameter (in.)	1/4
Gas Line Set Diameter (in.)	1/2
Pre-Charged (ft.)	25 ft.
Additional Charge of Refrigerant (oz/ft.)	0.16

## PRODUCT WARRANTY

Compressor – Twelve year limited warranty\*  
 All other covered components - Twelve year limited warranty\*  
 \*Product registration required

## OPTIONAL ACCESSORIES

Non-Programmable Controller (M0STAT61Q-1)  
 Programmable Controller (M0STAT64Q-1)  
 Hail Guards (M9GARD14Q-1)  
 Mini-Split IDU Controls Wiring Harness (19P86)\*  
 \*Required for BACnet & Lennox VRF Manager (LVM)



NOTE – Due to Lennox' ongoing commitment to quality, Specifications, Ratings, and Dimensions are subject to change without notice and without incurring liability. Improper installation, adjustment, alteration, service or maintenance can cause property damage or personal injury. Installation and service must be performed by a qualified installer and servicing agency.



# SUBMITTAL DATA – WALL MOUNTED

## MLA012S4S-1P – MWMA012S4-3P

### SINGLE ZONE MINI-SPLIT HEAT PUMP

#### OUTDOOR SPECIFICATIONS

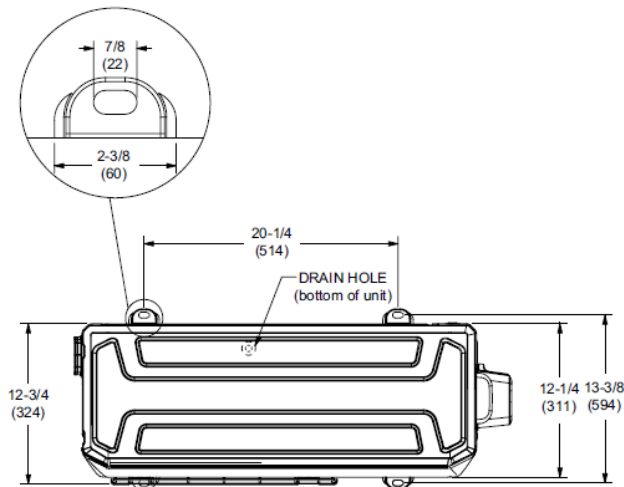
PERFORMANCE	
Cooling Capacity (Btu/h) <sup>1</sup>	12,000
EER	12.5
SEER	22
Heating Capacity (Btu/h) <sup>1</sup>	12,000
HSPF	10
Outdoor Fan Total Air Volume (CFM)	1,180
Ambient Temperature Operating Range	
Cooling	-22°F - 122°F
Heating	-22°F - 86°F
ELECTRICAL DATA	
Power Supply (V/Hz/Φ)	208-230/60/1
Minimum Circuit Ampacity (A)	9
Maximum Overcurrent Protection (A)	15
Outdoor Fan Motor RLA (A)	0.38
Compressor RLA (A)	5.65
No. of Compressors	1

GENERAL DATA		
Connection Ratio (%)	100%	
Max. # of Indoor Units	1 unit	
Sound Data (dBA) - Cooling/Heating	52/57	
Refrigerant type	R-410A	
Factory refrigerant charge	3 lbs. 3 oz.	
DIMENSIONS		
Unit Dimensions (in)	Height	21-3/4
	Width	34-1/4
	Depth	14-5/8
Shipping Weight (lb)	94	
Net Weight (lb)	88	

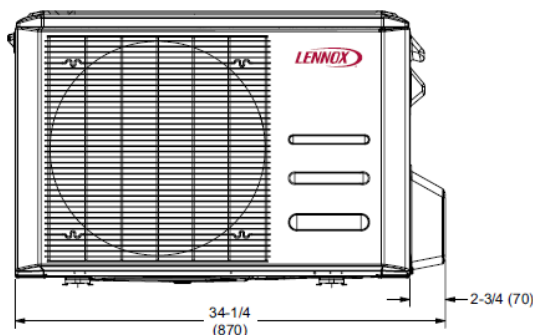
**NOTES**

1. Cooling and Heating Capacity data is rated at the following conditions:  
 Cooling: 80°FDB / 67°FWB Indoor, 95°FDB Outdoor  
 Heating: 70°FDB Indoor, 47°FDB / 43°FWB Outdoor

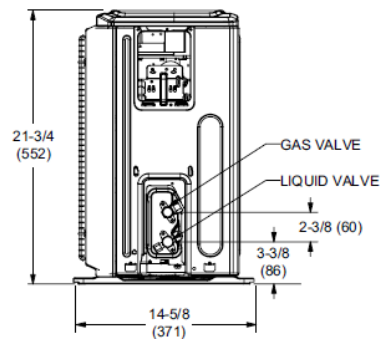
#### OUTDOOR DIMENSIONAL DRAWINGS - INCHES (MM)



TOP VIEW



FRONT VIEW



SIDE VIEW

NOTE – Due to Lennox' ongoing commitment to quality, Specifications, Ratings, and Dimensions are subject to change without notice and without incurring liability. Improper installation, adjustment, alteration, service or maintenance can cause property damage or personal injury. Installation and service must be performed by a qualified installer and servicing agency.



## SUBMITTAL DATA - WALL-MOUNTED

MLA012S4S-1P - MWMA012S4-3P

SINGLE ZONE MINI-SPLIT HEAT PUMP

### INDOOR SPECIFICATIONS

#### PERFORMANCE

Airflow (CFM)	High	370
	Medium	275
	Low	200
External Static Pressure (in. w.g.)		-
Sound Pressure (dBA)	High	45.1
	Medium	35.8
	Low	28.6

#### ELECTRICAL DATA

Power Supply (V/Hz/Φ)	Supplied by ODU
Rated load amps (RLA)	0.06
Power Output (W)	20

#### DIMENSIONS

Unit Dimensions (in)	Height	11
	Width	33-1/8
	Depth	8-1/4

Unit Net/Shipping Weight (lb)	20/26
-------------------------------	-------

#### PIPING

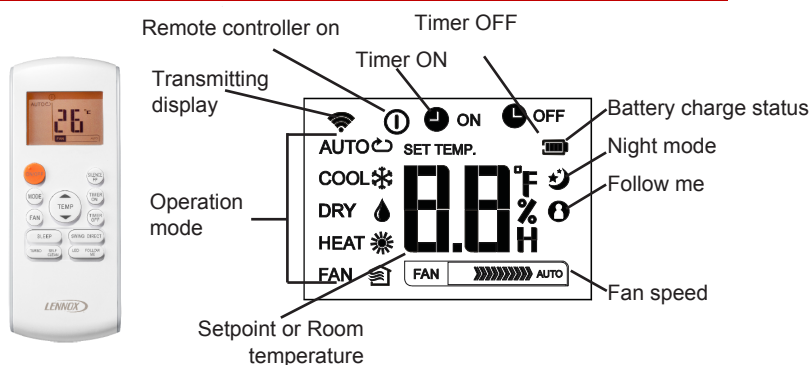
Liquid/Gas O.D. Flare (in.)	1/4 , 1/2
Drain Connection O.D. (in.)	1

### WIRELESS REMOTE CONTROLLER SPECIFICATIONS

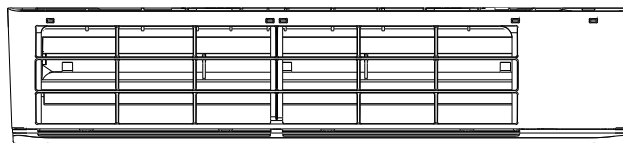
#### M0STAT60Q-1

Power Supply	2 AAA Batteries (Included)
Setpoint Range	62°F - 86°F
Operating Temperature Range	23°F - 140°F
Operating Humidity Range (RH)	40% to 90%
Effective Receiving Range	26 ft.

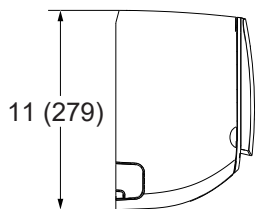
### DISPLAY



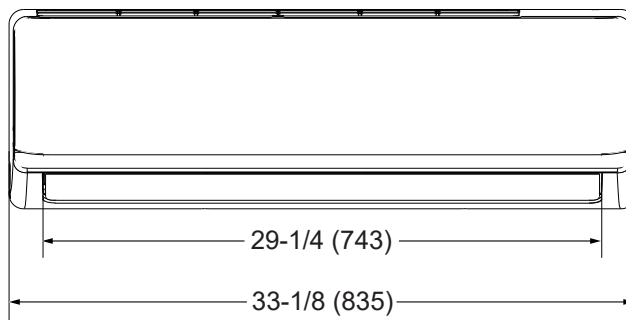
### INDOOR DIMENSIONAL DRAWINGS - INCHES (MM)



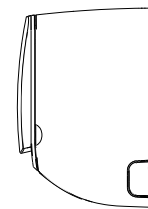
TOP VIEW



SIDE VIEW



BOTTOM VIEW



SIDE VIEW

8-1/4 (210)

NOTE - Due to Lennox' ongoing commitment to quality, Specifications, Ratings, and Dimensions are subject to change without notice and without incurring liability. Improper installation, adjustment, alteration, service or maintenance can cause property damage or personal injury. Installation and service must be performed by a qualified installer and servicing agency.