

# COMMERCIAL TRAINING TOOLBOX TIPS

## Heating Season Checks

Applies to all Lennox Gas/Electric Rooftop Units

### Helpful Resources

1. Installation manual for rooftop unit.

**Before starting up a gas/electric unit in heating mode, perform the following:**

1. Check all gas connections for potential leaks.
2. Visually inspect flue, burners, heat exchanger, and combustion air blower for obstructions and cracks.
  - a. Clean if needed.
3. Check blower belt tension and alignment.
4. Disconnect power from the unit and inspect all wire connections for tightness.
5. Clean the flame sensor using a non-silica-based tool, not sandpaper or sand cloth.
6. Bleed/Purge air from gas lines.
7. Check the unit tag for the recommended manifold pressure.
  - a. Adjust manifold pressure only if instructed to do so in the installation instructions.
8. Measure and record supply gas inlet pressure.
9. Once the burners are lit, check the quality and stability of the burner flames or perform combustion analysis.
10. Check the heat rise and ensure it is under the “not to exceed” number listed on the nameplate.

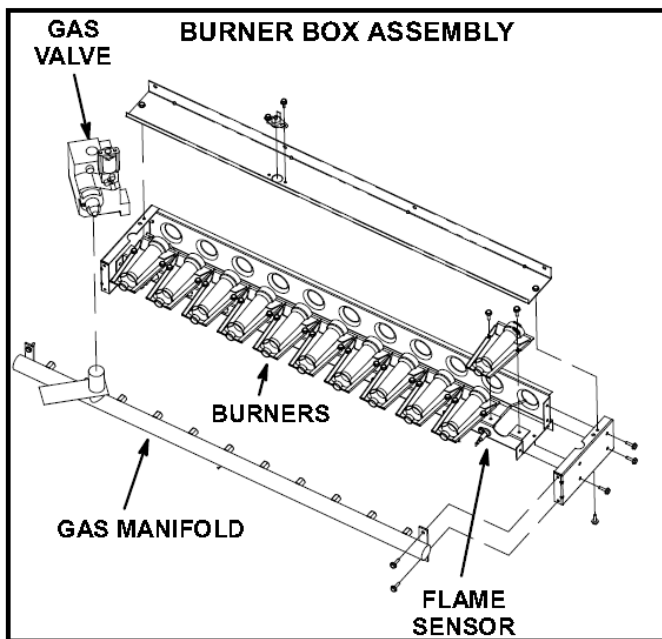


Figure 1. Typical Burner Box Assembly

<b>⚠ WARNING</b>	
	<b>Danger of explosion and fire. Can cause injury or product or property damage. You must follow these instructions exactly.</b>

<b>⚠ WARNING</b>	
<b>SMOKE POTENTIAL</b>	
<b>The heat exchanger in this unit could be a source of smoke on initial firing. Take precautions with respect to building occupants and property. Vent initial supply air outside when possible.</b>	

MORE Training Toolbox Tips Available!  
Click [here](#) to download them all.

Self-Service Technical Support with No Wait Times! Click the black logos to download these apps.



Click [here](#) to register for any of the Lennox Commercial Product Technical Training Webinars.