



**RESIDENTIAL
PRODUCT SPECIFICATIONS**

Bulletin No. 210675
April 2020
Supersedes January 2020

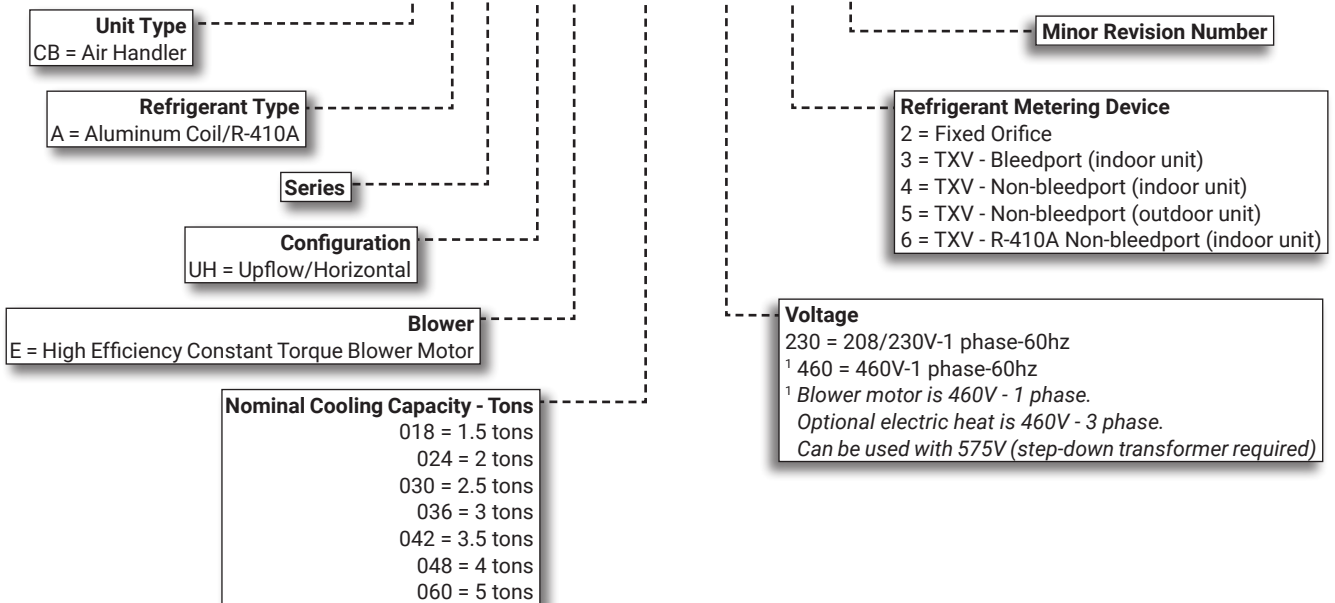
**ELITE®
SERIES**



**Nominal Capacity - 1.5 to 5 Tons
Optional Electric Heat - 2.5 to 25 kW**

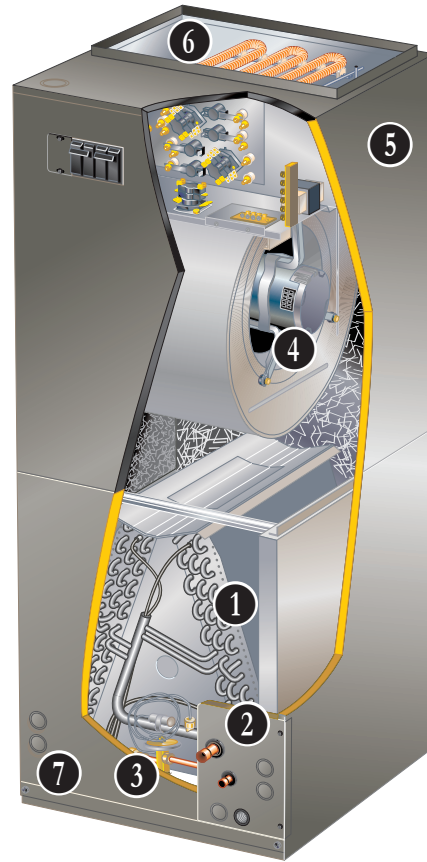
MODEL NUMBER IDENTIFICATION

CB A 27 UH E - 036 - 230 - 6 - 01



FEATURE HIGHLIGHTS

1. Quantum™ Coil
2. Refrigerant Line Connections
3. Check and Expansion Valve
4. Power Saver™ Constant Torque Blower Motor
5. Heavy Gauge Steel Cabinet
6. Electric Heat (option)
7. Air Filter



CONTENTS

Approvals And Warranty	3
Blower Data	9
Dimensions - Accessories	26
Dimensions - Unit	22
Electrical Data	7
Electric Heat Data	11
Features	3
Installation Clearances With Electric Heat	25
Model Number Identification	1
Optional Accessories - Order Separately	7
Replacement Circuit Breakers	10
Specifications	7

APPROVALS AND WARRANTY

APPROVALS

- Tested with matching air conditioners and heat pump units in the Lennox Research Laboratory environmental test room in accordance with AHRI Standard 210/240
- AHRI Certified system match-ups and expanded ratings, visit www.LennoxPros.com
- ETL Listed to US and Canadian safety standards and components within are bonded for grounding to meet safety standards for servicing required by NEC and CEC.
- Optional electric heaters are ETL listed and rated in accordance with US Department of Energy (DOE) test procedures and Federal Trade Commission (FTC) labeling regulations
- Blower performance data according to unit tests conducted in Lennox air test chamber
- Air handler units are approved for installation in manufactured housing and mobile homes.
- ISO 9001 Registered Manufacturing Quality System

WARRANTY

- All other covered components - Limited five years (residential), one year (non-residential)

NOTE - Refer to Lennox® Basic Limited Warranty at www.Lennox.com for additional details.

FEATURES

APPLICATIONS

- 1.5 to 5 ton nominal sizes
- Upflow or horizontal applications

NOTE - Downflow applications require optional conversion kit.

- Applicable to expansion valve systems in cooling applications and check and expansion valve systems in heat pump applications
- Wide-range check and expansion valve is factory installed
- Optional field installed electric heaters available in several sizes for additive heating capacity

REFRIGERANT SYSTEM

1 Quantum™ Coil

- Lennox designed and fabricated coils
- Enhanced aluminum alloy tube/enhanced fin coil for superior corrosion resistance
- Aluminum tubing, hairpins, distributor and header tubes.
- Ripple-edged aluminum fins
- Twin coil construction assembled in a "A" configuration for large surface area
- Provides excellent heat transfer and low air resistance for maximum efficiency
- Precise circuiting for uniform refrigerant distribution
- Lanced fins provide maximum exposure of fin surface to air stream
- Rifled tubing provides superior heat transfer
- Coil thoroughly factory tested under high pressure to ensure leakproof construction

2 Refrigerant Line Connections

- Copper refrigerant sweat connections on both liquid and suction lines for easy brazing
- Lines extend outside of the cabinet for ease of connection
- See dimension drawings for locations

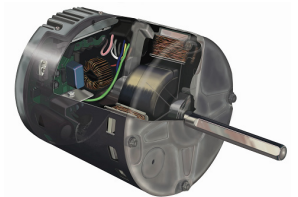
3 Check and Expansion Valve Furnished

- For use with R-410A systems
- Wide range valve with Chatleff style fitting
- Factory installed on all models, internal to cabinet

BLOWER

4 Power Saver™ Constant Torque Blower Motor

- Programmable high efficiency multi-speed blower motor. By maintaining constant torque output, blower motor can deliver more uniform (but not constant) airflow over the static pressure range
- Programmable multi-speed operation is achieved by the use of an ECM (Electronically Commutated Motor) motor
- Leadless blower motor features simple plug-in connections
- Choice of blower speeds is available. See Blower Data tables
- Blower speed change is easily accomplished by a simple wiring change



Blower Assembly

- Lennox designed and built, direct drive blower
- Statically and dynamically balanced as an assembly before installation in the unit
- Blower motor is resiliently mounted to blower assembly
- Blower slides out of cabinet for servicing

FEATURES

CABINET

- 5 • Constructed of heavy-gauge galvanized steel
- Completely insulated with thick fiberglass insulation
- Pre-painted steel with mildly textured enamel finish with primer coat on unpainted side of all panels
- Shipped in one piece but may be disassembled into two separate sections for ease of installation in tight applications
- Thick rubber gasket between sections of the two-piece cabinet provides an air tight seal
- No exposed screw heads on sides for tight installations without damage to walls or woodwork
- Removable panels provide complete service access
- Electrical inlets provided in sides and top of cabinet

Low Leakage Cabinet

- All models have less than 2% air leakage and meet ANSI/ASHRAE Standard 193-2010 "Method of Test for Determining the Air Tightness of HVAC Equipment"

Upflow/Horizontal Capability (Optional Downflow)

- Shipped for upflow and horizontal right-hand discharge
- May be field converted to horizontal left-hand air discharge by repositioning horizontal drain pan
- Optional downflow kit required for field conversion

Dual Position Anti-Microbial Drain Pans

- Drain pans designed for upflow, downflow or horizontal applications
- Deep, corrosion resistant plastic drain pans have dual pipe drains
- Anti-Microbial additive resists growth of mold and mildew on drain pan which improves indoor air quality and reduces drain line blockage
- See dimension drawings

Optional Accessories

Downflow Combustible Flooring Floor Base

- Base is required for models with electric heat installed in downflow position on combustible floors

Downflow Conversion Kit

- Required for field conversion to downflow position
- Kit consists of drip shields and 2 brackets for repositioning coil and drain pan

Horizontal Support Frame Kit

- Provides support of unit in horizontal applications
- Consists of (2) 1 x 1-1/2 x 32-5/8 in. and (2) 1 x 3 x 53-7/8 in. painted heavy gauge cold rolled steel support channels with assembly and suspending holes
- Bolts and nuts furnished for field assembly
- Suspending rods must be field provided

Side Return Unit Stand (Upflow Only)

- Raises unit 16 in. above floor for side return air duct connection
- Eliminates need for wooden platform construction
- All aluminum construction
- Two adjustable frames fit -018/024 thru -060 models

Wall Hanging Bracket Kit (Upflow Only)

- Allows unit to be hung on wall at any height
- Consists of heavy-gauge steel support brackets (one for air handler, one for wall mount)
- Screws furnished for fastening one bracket to unit
- Bolts for fastening one bracket to wall are field provided

High Performance Economizer (Commercial Applications Only)

- Designed for applications requiring outdoor air to be utilized in a commercial HVAC system. Allows the entry of fresh outdoor air for free cooling, reducing the requirement for mechanical cooling
- Heavy gauge galvanized steel cabinet lined with thick fiberglass insulation
- Mixed air sensor, outdoor air sensor and 24VAC transformer furnished
- Approved for California Title 24 building standards
- ASHRAE 90.1-2010 compliant
- See separate Product Specifications bulletin for additional information and available control and sensor options

FEATURES

CONTROLS

Transformer and Blower Cooling Relay

- 24 volt transformer with in-line fuse
- Blower cooling relay
- Factory installed in the unit control box
- Terminal strip furnished

Optional Accessories

E30 Smart Wi-Fi Thermostat

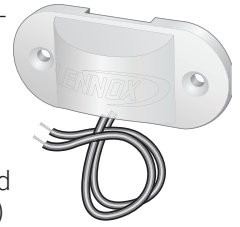
- Wi-Fi enabled, electronic 7-day, universal, multi-stage, programmable, touchscreen thermostat
- 3 Heat/2 Cool
- Auto-changeover
- Controls dehumidification during cooling mode and humidification during heating mode
- Offers enhanced capabilities including humidification / dehumidification / dewpoint measurement and control, Humiditrol® control, and equipment maintenance reminders
- Easy to read 7 in. color touchscreen (measured diagonally)
- LCD display with backlight shows the current and set temperature, time, inside relative humidity, system status (operating mode and schedules) and outside temperature (optional outdoor sensor required)
- Smooth Setback Recovery starts system early to achieve setpoint at start of program period
- Compressor short-cycle protection (5 minutes)
- Up to four separate schedules are available plus Schedule IQ™
- One-Touch Away Mode - A quick and easy way to set the cooling and heating setpoints while away
- Smart Away™ - Uses geo-fencing technology to determine when the homeowner is within a predetermined distance from the home to operate the system when leaving, away and arriving
- Wi-Fi remote monitoring and adjustment through a home wireless network for desktop PCs, laptops and apps for smartphones or tablets
- Smart home automation compatible with Apple HomeKit™, Amazon Alexa®, Google Assistant and IFTTT
- Service Dashboard features online real-time monitoring of installed Lennox® thermostats
- High Definition Color Display with Subbase, Smart Hub Controller, wallplate (for retrofit installations) furnished for easy installation
- See the Lennox® E30 Smart Wi-Fi Thermostat Product Specifications bulletin for more information



Remote Outdoor Temperature Sensor

- Used with the Lennox® E30 Smart Wi-Fi Thermostat
- When installed outdoors, sensor allows thermostat to display outdoor temperature

NOTE - Sensor is required for Enhanced Dehumidification Control (EDA) applications.



Thermostat

- Thermostat is not furnished with unit
- See Lennox Price Book for selection

FEATURES

OPTIONAL ELECTRIC HEAT

- ETL listed
- 6 • Field install internal to unit cabinet
- Available in several voltages and kW sizes. See Electric Heat tables
- Helix wound nichrome heating elements exposed directly in air stream resulting in instant heat transfer, low element temperatures and long service life
- Each element equipped with accurately located limit control with fixed temperature off setting and automatic reset
- Supplemental thermal cutoff limit control, provides positive protection in case of excessive temperatures
- Thermal sequencer relay brings elements on and off line, in sequence and equal increments, with time delay between each
- Initiates and terminates blower operation
- Heating control relay(s) furnished as standard
- Control box and access cover constructed of heavy gauge galvanized steel
- Factory assembled with controls installed and wired
- Electric heat low voltage controls plug-in to air handler

Circuit Breaker (CB) Models

- All "CB" model heaters are equipped with circuit breakers for overload and short circuit protection
- Factory wired and mounted on electric heat unit
- Current sensitive and temperature actuated
- Manual reset
- Circuit breakers qualify as disconnect means at unit in many areas, eliminate the need for field provided disconnect
- Consult local electrical code in your area.

NOTE - 460V-3 phase air handlers can be used in 575V applications.
575V electric heaters are shipped with a 575V to 460V step-down transformer.

Optional Accessories

Electric Heat Circuit Breaker Cover Kit

- Flexible plastic cover protects circuit breaker
- Recommended in areas with high humidity or unconditioned areas to prevent nuisance tripping

Single-Point Power Source Control Box

- Control Box may be used with optional electric heat when single power supply is connected to multi-circuit electric heat
- Field installs external to the unit cabinet on either side or top
- Constructed of heavy gauge steel, baked enamel finish, prepunched mounting holes, electrical inlet knockouts, and terminal strip
- Removable cover provides easy access
- Dimensions (H x W x D) - 7 x 7 x 4 in.

INDOOR AIR QUALITY

7 Air Filter

- Tool-less access to filter area for quick and easy servicing
- Disposable frame type filter furnished and factory installed in rails in cabinet
- See Specifications tables for sizes

Optional Accessories

Healthy Climate® Germicidal UVC Light



- Germicidal lamp emits C-Band ultra-violet (UVC) energy at 253.7 nanometers, which is proven to be effective in reducing microbes such as viruses, bacteria, yeasts, and molds
- This process either destroys the organism or controls its ability to reproduce
- UVC germicidal light greatly reduces the growth and proliferation of mold and other bioaerosols (bacteria and viruses) on illuminated surfaces (particularly coil and drain pan)
- Surfaces must be cleaned prior to UVC light being installed
- Available in 24 volt and 110.230V-1ph models
- Air handlers have a factory provided knockout in the coil delta plate for mounting light within coil area
- Shielding baffle is required when installing light above a non-UVC resistant component, such as a filter
- Baffle must be ordered separately

SPECIFICATIONS

General Data		Model Number	CBA27UHE-018	CBA27UHE-024	CBA27UHE-030	CBA27UHE-036
		Nominal tonnage	1.5	2	2.5	3
Connections	Suction (vapor) line (o.d.) - in. sweat		3/4	3/4	3/4	3/4
	Liquid line (o.d.) - in. sweat		3/8	3/8	3/8	3/8
	Condensate - in. fpt		(2) 3/4	(2) 3/4	(2) 3/4	(2) 3/4
Indoor Coil	Net face area - ft. ²		4.44	4.44	5.0	5.0
	Tube outside diameter - in.		3/8	3/8	3/8	3/8
	Number of rows		3	3	3	3
	Fins per inch		14	14	14	14
Blower	Wheel nominal diameter x width - in.		10 x 8	10 x 8	11 x 8	11 x 8
	Blower motor output - hp		1/2	1/2	1/2	1/2
¹ Filters	Size of filter - in.		20 x 20 x 1	20 x 20 x 1	20 x 20 x 1	20 x 20 x 1
Shipping Data -1 package - lbs.			137	137	150	150

ELECTRICAL DATA

Voltage - 1 phase - 60hz		208/230V-1ph	208/230V-1ph	208/230V-1ph	208/230V-1ph
Voltage - 3 phase - 60hz		---	---	---	³ 460V-1ph
² Maximum overcurrent protection (unit only) - All voltages		15	15	15	15
Minimum circuit ampacity (unit only) - 208/230V		5	5	5	5
Blower Motor Full Load Amps - 208/230V		4.1	4.1	4.1	4.1
Minimum circuit ampacity (unit only) - 460V		---	---	---	2.6
Blower Motor Full Load Amps - 460V		---	---	---	2.1

OPTIONAL ACCESSORIES - ORDER SEPARATELY

E30 Smart Wi-Fi Thermostat		15S63	15S63	15S63	15S63
Remote Outdoor Temperature Sensor		X2658	X2658	X2658	X2658
Downflow Combustible Flooring Base		44K15	44K15	44K15	44K15
Downflow Conversion Kit		83M57	83M57	83M57	83M57
Electric Heat - See Electric Heat Data Tables		2.5 to 20 kW			
Electric Heat Circuit Breaker Cover Kit		82W01	82W01	82W01	82W01
Healthy Climate Germicidal Light	UVC-24V (24V)	X9423	X9423	X9423	X9423
	Shielding Baffle (required)	Y2120	Y2120	Y2120	Y2120
	UVC-41W-S (110/230v-1 ph)	X9424	X9424	X9424	X9424
	Shielding Baffle (required)	X9900	X9900	X9900	X9900
Horizontal Support Frame Kit		56J18	56J18	56J18	56J18
Side Return Unit Stand (Upflow Only)		45K32	45K32	45K32	45K32
Single Point Power Source Control Box		21H39	21H39	21H39	21H39
Wall Hanging Bracket Kit (Upflow Only)		45K30	45K30	45K30	45K30
High Performance Economizer (Commercial Only)		10U53	10U53	10U53	10U53

¹ Disposable frame type filter.

² HACR type circuit breaker or fuse.

³ Blower motor is 460V - 1 phase. Optional electric heat is 460V - 3 phase.

SPECIFICATIONS

General Data		Model Number	CBA27UHE-042	CBA27UHE-048	CBA27UHE-060
		Nominal tonnage	3.5	4	5
Connections	Suction (vapor) line (o.d.) - in. sweat		7/8	7/8	7/8
	Liquid line (o.d.) - in. sweat		3/8	3/8	3/8
	Condensate - in. fpt		(2) 3/4	(2) 3/4	(2) 3/4
Indoor Coil	Net face area - ft. ²		7.22	7.22	8.33
	Tube outside diameter - in.		3/8	3/8	3/8
	Number of rows		3	3	3
	Fins per inch		14	14	14
Blower	Wheel nominal diameter x width - in.		12 x 9	12 x 9	12 x 9
	Blower motor output - hp		1	1	1
¹ Filters	Size of filter - in.		20 x 24 x 1	20 x 24 x 1	20 x 24 x 1
Shipping Data -1 package lbs.			186	186	199

ELECTRICAL DATA

Voltage - 1 phase - 60hz		208/230V-1ph	208/230V- 1ph	208/230V- 1ph
Voltage - 3 phase - 60hz		---	³ 460V-1ph	³ 460V-1ph
² Maximum overcurrent protection (unit only) - All voltages		15	15	15
Minimum circuit ampacity (unit only) - 208/230V		10	10	10
Blower Motor Full Load Amps - 208/230V		7.6	7.6	7.6
Minimum circuit ampacity (unit only) - 460V		---	5	5
Blower Motor Full Load Amps - 460V		---	4	4

OPTIONAL ACCESSORIES - ORDER SEPARATELY

E30 Smart Wi-Fi Thermostat		15S63	15S63	15S63
Remote Outdoor Temperature Sensor		X2658	X2658	X2658
Downflow Combustible Flooring Base		44K15	44K15	44K15
Downflow Conversion Kit		83M57	83M57	83M57
Electric Heat - See Electric Heat Data tables		5 to 25 kW		
Electric Heat Circuit Breaker Cover Kit		82W01	82W01	82W01
Healthy Climate Germicidal Light	UVC-24V (24V)	X9423	X9423	X9423
	Shielding Baffle (required)	Y2120	Y2120	Y2120
	UVC-41W-S (110/230v-1 ph)	X9424	X9424	X9424
	Shielding Baffle (required)	X9900	X9900	X9900
Horizontal Support Frame Kit		56J18	56J18	56J18
Side Return Unit Stand (Upflow Only)		45K32	45K32	45K32
Single Point Power Source Control Box		21H39	21H39	21H39
Wall Hanging Bracket Kit (Upflow Only)		45K30	45K30	45K30
High Performance Economizer (Commercial Only)		10U53	10U53	10U53

¹ Disposable frame type filter.

² HACR type circuit breaker or fuse.

³ Blower motor is 460V - 1 phase. Optional electric heat is 460V - 3 phase.

BLOWER DATA

CBA27UHE-018 BLOWER PERFORMANCE

External Static Pressure in. w.g.	Air Volume and Motor Watts									
	Tap 1		Tap 2		Tap 3		Tap 4		Tap 5	
	cfm	Watts	cfm	Watts	cfm	Watts	cfm	Watts	cfm	Watts
.10	717	66	707	63	735	74	781	81	959	133
.20	596	58	570	54	636	70	737	91	922	144
.30	473	56	430	48	603	77	697	101	877	150
.40	402	61	335	54	540	81	651	105	846	161
.50	358	67	302	60	492	92	607	117	811	173
.60	295	74	248	63	434	94	561	121	769	179
.70	262	79	202	72	399	103	507	131	727	187
.80	N/A	N/A	N/A	N/A	348	108	459	137	695	196

NOTE - All air data measured external to unit with dry coil and 1 inch non-pleated air filter in place.
Electric heaters have no appreciable air resistance.

CBA27UHE-024 BLOWER PERFORMANCE

External Static Pressure in. w.g.	Air Volume and Motor Watts									
	Tap 1		Tap 2		Tap 3		Tap 4		Tap 5	
	cfm	Watts	cfm	Watts	cfm	Watts	cfm	Watts	cfm	Watts
.10	767	78	753	75	826	88	957	131	1095	189
.20	662	68	648	66	791	100	937	142	1063	199
.30	615	76	612	77	750	108	895	149	1040	211
.40	561	83	539	83	711	116	861	160	1010	226
.50	522	87	507	89	681	126	821	172	970	230
.60	450	96	438	93	628	134	778	175	944	237
.70	419	100	411	103	584	142	750	186	905	248
.80	365	110	358	108	521	147	702	194	864	256

NOTE - All air data measured external to unit with dry coil and 1 inch non-pleated air filter in place.
Electric heaters have no appreciable air resistance.

CBA27UHE-030 BLOWER PERFORMANCE

External Static Pressure in. w.g.	Air Volume and Motor Watts									
	Tap 1		Tap 2		Tap 3		Tap 4		Tap 5	
	cfm	Watts	cfm	Watts	cfm	Watts	cfm	Watts	cfm	Watts
.10	1061	115	1104	126	1169	154	1212	166	1278	200
.20	941	103	973	118	1070	144	1157	173	1241	210
.30	789	90	848	104	1019	151	1121	185	1201	223
.40	640	83	789	111	991	165	1077	199	1169	233
.50	525	93	728	118	946	175	1038	209	1124	244
.60	469	101	629	128	900	181	1006	215	1100	256
.70	434	104	581	139	851	194	956	230	1051	268
.80	365	116	521	155	754	208	915	237	1000	275

NOTE - All air data measured external to unit with dry coil and 1 inch non-pleated air filter in place.
Electric heaters have no appreciable air resistance.

CBA27UHE-036 BLOWER PERFORMANCE

External Static Pressure in. w.g.	Air Volume and Motor Watts									
	Tap 1		Tap 2		Tap 3		Tap 4		Tap 5	
	cfm	Watts	cfm	Watts	cfm	Watts	cfm	Watts	cfm	Watts
.10	1074	134	1099	147	1264	206	1343	240	1498	340
.20	962	121	1027	143	1222	220	1291	253	1467	344
.30	887	126	989	153	1192	234	1269	266	1433	364
.40	852	136	944	164	1144	242	1224	280	1391	378
.50	791	150	894	172	1111	257	1194	286	1365	383
.60	717	160	820	186	1067	266	1153	297	1320	398
.70	649	168	745	202	1037	270	1118	309	1290	407
.80	606	183	697	213	999	284	1081	317	1247	422

NOTE - All air data measured external to unit with dry coil and 1 inch non-pleated air filter in place.
Electric heaters have no appreciable air resistance.

BLOWER DATA

CBA27UHE-042 BLOWER PERFORMANCE

External Static Pressure in. w.g.	Air Volume and Motor Watts									
	Tap 1		Tap 2		Tap 3		Tap 4		Tap 5	
	cfm	Watts	cfm	Watts	cfm	Watts	cfm	Watts	cfm	Watts
.10	1282	177	1346	201	1497	261	1489	261	1723	396
.20	1143	159	1278	204	1475	281	1461	273	1690	408
.30	1067	162	1233	209	1447	297	1427	290	1656	434
.40	1024	175	1199	223	1406	315	1407	305	1639	436
.50	920	189	1154	235	1376	320	1360	324	1599	462
.60	923	197	1099	252	1345	338	1328	336	1573	473
.70	838	204	1022	267	1294	358	1303	351	1541	485
.80	815	218	1003	275	1238	375	1228	373	1494	515

NOTE - All air data measured external to unit with dry coil and 1 inch non-pleated air filter in place.
Electric heaters have no appreciable air resistance.

CBA27UHE-048 BLOWER PERFORMANCE

External Static Pressure in. w.g.	Air Volume and Motor Watts									
	Tap 1		Tap 2		Tap 3		Tap 4		Tap 5	
	cfm	Watts	cfm	Watts	cfm	Watts	cfm	Watts	cfm	Watts
.10	1359	190	1509	257	1718	362	1773	401	1903	511
.20	1238	174	1473	273	1690	380	1758	419	1899	515
.30	1135	172	1453	289	1658	397	1707	434	1868	535
.40	1090	180	1450	290	1619	412	1687	449	1830	553
.50	1032	195	1374	315	1588	431	1660	465	1801	558
.60	980	204	1336	331	1561	440	1618	472	1770	582
.70	929	223	1295	339	1510	457	1593	493	1733	600
.80	867	235	1227	363	1488	473	1552	508	1703	618

NOTE - All air data measured external to unit with dry coil and 1 inch non-pleated air filter in place.
Electric heaters have no appreciable air resistance.

CBA27UHE-060 BLOWER PERFORMANCE

External Static Pressure in. w.g.	Air Volume and Motor Watts									
	Tap 1		Tap 2		Tap 3		Tap 4		Tap 5	
	cfm	Watts	cfm	Watts	cfm	Watts	cfm	Watts	cfm	Watts
.10	1404	206	1704	340	1886	453	1928	481	2268	800
.20	1295	194	1658	349	1849	467	1905	510	2228	829
.30	1256	204	1631	365	1806	489	1869	525	2192	830
.40	1199	217	1594	386	1784	505	1842	546	2169	856
.50	1145	236	1549	394	1751	523	1799	548	2136	870
.60	1091	248	1508	413	1720	534	1775	569	2106	894
.70	978	270	1474	433	1683	549	1741	592	2089	907
.80	946	279	1440	453	1655	566	1709	611	2050	925

NOTE - All air data measured external to unit with dry coil and 1 inch non-pleated air filter in place.
Electric heaters have no appreciable air resistance.

REPLACEMENT CIRCUIT BREAKERS

Voltage	Description	Catalog No.	Voltage	Description	Catalog No.
208/240V - 1 Phase	25 amp, 2 pole	41K13	208/240V - 3 Phase	30 amp, 3 pole	64W47
	30 amp, 2 pole	17K70		35 amp, 3 pole	41K14
	35 amp, 2 pole	72K07		40 amp, 3 pole	41K16
	40 amp, 2 pole	49K14		45 amp, 3 pole	18M86
	45 amp, 2 pole	17K71		50 amp, 3 pole	41K15
	50 amp, 2 pole	41K12		60 amp, 3 pole	41K17
	60 amp, 2 pole	17K72			

ELECTRIC HEAT DATA

CBA27UHE-018 | SINGLE PHASE

	Electric Heat Model Number	No. of Stages	Input			² Blower Motor Full Load Amps	³ Minimum Circuit Ampacity	⁵ Maximum Overcurrent Protection
			Volts	kW	¹ Btuh			
2.5 kW 4 lbs.	ECB29-2.5 (19F02) Terminal Block	1	208	1.9	6,400	4.1	16	20
			220	2.1	7,200	4.1	18	20
			230	2.3	7,800	4.1	18	20
			240	2.5	8,500	4.1	18	20
4 kW 4 lbs.	ECB29-4 (19F03) Terminal Block ECB29-4CB (19F09) 30A Circuit breaker	1	208	3.0	10,250	4.1	23	⁴25
			220	3.4	11,450	4.1	26	30
			230	3.7	12,550	4.1	26	30
			240	4.0	13,650	4.1	26	30
5 kW 4 lbs.	ECB29-5 (19F04) Terminal Block ECB29-5CB (19F12) 35A Circuit breaker	1	208	3.8	12,800	4.1	28	⁴30
			220	4.2	14,300	4.1	31	35
			230	4.6	15,700	4.1	31	35
			240	5.0	17,100	4.1	31	35
6 kW 4 lbs.	ECB29-6 (19F06) Terminal Block ECB29-6CB (19F14) 40A Circuit breaker	1	208	4.5	15,400	4.1	32	⁴35
			220	5.0	17,100	4.1	36	40
			230	5.5	18,800	4.1	36	40
			240	6.0	20,500	4.1	36	40
8 kW 5 lbs.	ECB29-8 (19F07) Terminal Block ECB29-8CB (19F15) 50A Circuit breaker	1	208	6.0	20,500	4.1	41	⁴45
			220	6.7	22,900	4.1	47	50
			230	7.3	25,100	4.1	47	50
			240	8.0	27,300	4.1	47	50
9 kW 5 lbs.	ECB29-9CB (19F16) 60A Circuit breaker	2	208	6.8	23,100	4.1	46	⁴50
			220	7.6	25,800	4.1	52	60
			230	8.3	28,200	4.1	52	60
			240	9.0	30,700	4.1	52	60
10 kW 6 lbs.	ECB29-10 (19F08) Terminal Block ECB29-10CB (19F18) 60A Circuit breaker	2	208	7.5	25,600	4.1	50	⁴50
			220	8.4	28,700	4.1	57	60
			230	9.2	31,400	4.1	57	60
			240	10.0	34,100	4.1	57	60

NOTE - Circuit 1 Minimum Circuit Ampacity includes the Blower Motor Full Load Amps.

¹ Electric heater capacity only - does not include additional blower motor heat capacity.

² Amps shown are for blower motor only.

³ Refer to National or Canadian Electrical Code manual to determine wire, fuse and disconnect size requirements. Use wires suitable for at least 167°F.

⁴ Bold text indicates that the circuit breaker on "CB" circuit breaker models must be replaced with size noted. See Table on Page 10.

⁵ HACR type circuit breaker or fuse.

ELECTRIC HEAT DATA

CBA27UHE-024 | SINGLE PHASE

Electric Heat Model Number	No. of Stages	Input			² Blower Motor Full Load Amps	³ Minimum Circuit Ampacity	⁵ Maximum Overcurrent Protection
		Volts	kW	¹ Btuh			
4 kW 4 lbs. ECB29-4 (19F03) Terminal Block ECB29-4CB (19F09) 30A Circuit breaker	1	208	3.0	10,250	4.1	23	⁴ 25
		220	3.4	11,450	4.1	26	30
		230	3.7	12,550	4.1	26	30
		240	4.0	13,650	4.1	26	30
5 kW 4 lbs. ECB29-5 (19F04) Terminal Block ECB29-5CB (19F12) 35A Circuit breaker	1	208	3.8	12,800	4.1	28	⁴ 30
		220	4.2	14,300	4.1	31	35
		230	4.6	15,700	4.1	31	35
		240	5.0	17,100	4.1	31	35
6 kW 4 lbs. ECB29-6 (19F06) Terminal Block ECB29-6CB (19F14) 40A Circuit breaker	1	208	4.5	15,400	4.1	32	⁴ 35
		220	5.0	17,100	4.1	36	40
		230	5.5	18,800	4.1	36	40
		240	6.0	20,500	4.1	36	40
8 kW 5 lbs. ECB29-8 (19F07) Terminal Block ECB29-8CB (19F15) 50A Circuit breaker	1	208	6.0	20,500	4.1	41	⁴ 45
		220	6.7	22,900	4.1	47	50
		230	7.3	25,100	4.1	47	50
		240	8.0	27,300	4.1	47	50
9 kW 5 lbs. ECB29-9CB (19F16) 60A Circuit breaker	2	208	6.8	23,100	4.1	46	⁴ 50
		220	7.6	25,800	4.1	52	60
		230	8.3	28,200	4.1	52	60
		240	9.0	30,700	4.1	52	60
10 kW 6 lbs. ECB29-10 (19F08) Terminal Block ECB29-10CB (19F18) 60A Circuit breaker	2	208	7.5	25,600	4.1	50	⁴ 50
		220	8.4	28,700	4.1	57	60
		230	9.2	31,400	4.1	57	60
		240	10.0	34,100	4.1	57	60

NOTE - Circuit 1 Minimum Circuit Ampacity includes the Blower Motor Full Load Amps.

¹ Electric heater capacity only - does not include additional blower motor heat capacity.

² Amps shown are for blower motor only.

³ Refer to National or Canadian Electrical Code manual to determine wire, fuse and disconnect size requirements. Use wires suitable for at least 167°F.

⁴ Bold text indicates that the circuit breaker on "CB" circuit breaker models must be replaced with size noted. See Table on Page 10.

⁵ HACR type circuit breaker or fuse.

ELECTRIC HEAT DATA

CBA27UHE-030 | SINGLE PHASE

Electric Heat Model Number	No. of Stages	Input			² Blower Motor Full Load Amps	³ Minimum Circuit Ampacity		⁵ Maximum Overcurrent Protection		Single Point Power Source	
		Volts	kW	¹ Btuh		Ckt 1	Ckt 2	Ckt 1	Ckt 2	³ Minimum Circuit Ampacity	⁵ Maximum Overcurrent Protection
4 kW 4 lbs. ECB29-4 (19F03) Terminal Block ECB29-4CB (19F09) 30A Circuit breaker	1	208	3.0	10,250	4.1	23	---	425	---	---	---
		220	3.4	11,450	4.1	26	---	30	---	---	---
		230	3.7	12,550	4.1	26	---	30	---	---	---
		240	4.0	13,650	4.1	26	---	30	---	---	---
5 kW 4 lbs. ECB29-5 (19F04) Terminal Block ECB29-5CB (19F12) 35A Circuit breaker	1	208	3.8	12,800	4.1	28	---	430	---	---	---
		220	4.2	14,300	4.1	31	---	35	---	---	---
		230	4.6	15,700	4.1	31	---	35	---	---	---
		240	5.0	17,100	4.1	31	---	35	---	---	---
6 kW 4 lbs. ECB29-6 (19F06) Terminal Block ECB29-6CB (19F14) 40A Circuit breaker	1	208	4.5	15,400	4.1	32	---	435	---	---	---
		220	5.0	17,100	4.1	36	---	40	---	---	---
		230	5.5	18,800	4.1	36	---	40	---	---	---
		240	6.0	20,500	4.1	36	---	40	---	---	---
8 kW 5 lbs. ECB29-8 (19F07) Terminal Block ECB29-8CB (19F15) 50A Circuit breaker	1	208	6.0	20,500	4.1	41	---	445	---	---	---
		220	6.7	22,900	4.1	47	---	50	---	---	---
		230	7.3	25,100	4.1	47	---	50	---	---	---
		240	8.0	27,300	4.1	47	---	50	---	---	---
9 kW 5 lbs. ECB29-9CB (19F16) 60A Circuit breaker	2	208	6.8	23,100	4.1	46	---	450	---	---	---
		220	7.6	25,800	4.1	52	---	60	---	---	---
		230	8.3	28,200	4.1	52	---	60	---	---	---
		240	9.0	30,700	4.1	52	---	60	---	---	---
10 kW 6 lbs. ECB29-10 (19F08) Terminal Block ECB29-10CB (19F18) 60A Circuit breaker	2	208	7.5	25,600	4.1	50	---	450	---	---	---
		220	8.4	28,700	4.1	57	---	60	---	---	---
		230	9.2	31,400	4.1	57	---	60	---	---	---
		240	10.0	34,100	4.1	57	---	60	---	---	---
12.5 kW 10 lbs. ECB29-12.5CB (19F19) (1) 30A Circuit breaker & (1) 45A Circuit breaker	2	208	9.4	32,000	4.1	24	38	425	440	62	70
		220	10.5	35,800	4.1	27	43	30	45	70	70
		230	11.5	39,200	4.1	27	43	30	45	70	70
		240	12.5	42,600	4.1	27	43	30	45	70	70
15 kW 12 lbs. ECB29-15CB (19F20) (1) 35A Circuit breaker & (1) 60A Circuit Breaker	2	208	11.3	38,400	4.1	28	45	430	445	73	80
		220	12.6	43,000	4.1	31	52	35	60	83	90
		230	13.8	47,000	4.1	31	52	35	60	83	90
		240	15.0	51,200	4.1	31	52	35	60	83	90

THREE PHASE

8 kW 5 lbs. ECB29-8 (19F24) Terminal Block	1	208	6.0	20,500	4.1	26	---	30	---	---	---
		220	6.7	22,900	4.1	29	---	30	---	---	---
		230	7.3	25,100	4.1	29	---	30	---	---	---
		240	8.0	27,300	4.1	29	---	30	---	---	---
10 kW 6 lbs. ECB29-10 (19F27) Terminal Block	1	208	7.5	25,600	4.1	31	---	35	---	---	---
		220	8.4	28,700	4.1	35	---	35	---	---	---
		230	9.2	31,400	4.1	35	---	35	---	---	---
		240	10.0	34,100	4.1	35	---	35	---	---	---
15 kW 12 lbs. ECB29-15CB (19F28) (1) 50A Circuit breaker	1	208	11.3	38,400	4.1	44	---	45	---	---	---
		220	12.6	43,000	4.1	50	---	50	---	---	---
		230	13.5	47,000	4.1	50	---	50	---	---	---
		240	15.0	51,200	4.1	50	---	50	---	---	---

NOTE - Circuit 1 Minimum Circuit Ampacity includes the Blower Motor Full Load Amps.

¹ Electric heater capacity only - does not include additional blower motor heat capacity.

² Amps shown are for blower motor only.

³ Refer to National or Canadian Electrical Code manual to determine wire, fuse and disconnect size requirements. Use wires suitable for at least 167°F.

⁴ Bold text indicates that the circuit breaker on "CB" circuit breaker models must be replaced with size noted. See Table on Page 10.

⁵ HACR type circuit breaker or fuse.

ELECTRIC HEAT DATA

CBA27UHE-036 | SINGLE PHASE

Electric Heat Model Number	No. of Stages	Input			² Blower Motor Full Load Amps	³ Minimum Circuit Ampacity		⁵ Maximum Overcurrent Protection		Single Point Power Source	
		Volts	kW	¹ Btuh		Ckt 1	Ckt 2	Ckt 1	Ckt 2	³ Minimum Circuit Ampacity	⁵ Maximum Overcurrent Protection
4 kW 4 lbs. ECB29-4 (19F03) Terminal Block ECB29-4CB (19F09) 30A Circuit breaker	1	208	3.0	10,250	4.1	23	---	⁴ 25	---	---	---
		220	3.4	11,450	4.1	26	---	30	---	---	---
		230	3.7	12,550	4.1	26	---	30	---	---	---
		240	4.0	13,650	4.1	26	---	30	---	---	---
5 kW 4 lbs. ECB29-5 (19F04) Terminal Block ECB29-5CB (19F12) 35A Circuit breaker	1	208	3.8	12,800	4.1	28	---	⁴ 30	---	---	---
		220	4.2	14,300	4.1	31	---	35	---	---	---
		230	4.6	15,700	4.1	31	---	35	---	---	---
		240	5.0	17,100	4.1	31	---	35	---	---	---
6 kW 4 lbs. ECB29-6 (19F06) Terminal Block ECB29-6CB (19F14) 40A Circuit breaker	1	208	4.5	15,400	4.1	32	---	⁴ 35	---	---	---
		220	5.0	17,100	4.1	36	---	40	---	---	---
		230	5.5	18,800	4.1	36	---	40	---	---	---
		240	6.0	20,500	4.1	36	---	40	---	---	---
8 kW 5 lbs. ECB29-8 (19F07) Terminal Block ECB29-8CB (19F15) 50A Circuit breaker	1	208	6.0	20,500	4.1	41	---	⁴ 45	---	---	---
		220	6.7	22,900	4.1	47	---	50	---	---	---
		230	7.3	25,100	4.1	47	---	50	---	---	---
		240	8.0	27,300	4.1	47	---	50	---	---	---
9 kW 5 lbs. ECB29-9CB (19F16) 60A Circuit breaker	2	208	6.8	23,100	4.1	46	---	⁴ 50	---	---	---
		220	7.6	25,800	4.1	52	---	60	---	---	---
		230	8.3	28,200	4.1	52	---	60	---	---	---
		240	9.0	30,700	4.1	52	---	60	---	---	---
10 kW 6 lbs. ECB29-10 (19F08) Terminal Block ECB29-10CB (19F18) 60A Circuit breaker	2	208	7.5	25,600	4.1	50	---	⁴ 50	---	---	---
		220	8.4	28,700	4.1	57	---	60	---	---	---
		230	9.2	31,400	4.1	57	---	60	---	---	---
		240	10.0	34,100	4.1	57	---	60	---	---	---
12.5 kW 10 lbs. ECB29-12.5CB (19F19) (1) 30A Circuit breaker and (1) 45A Circuit breaker	2	208	9.4	32,000	4.1	24	38	⁴ 25	⁴ 40	62	70
		220	10.5	35,800	4.1	27	43	30	45	70	70
		230	11.5	39,200	4.1	27	43	30	45	70	70
		240	12.5	42,600	4.1	27	43	30	45	70	70
15 kW 12 lbs. ECB29-15CB (19F20) (1) 35A Circuit breaker and (1) 60A Circuit Breaker	2	208	11.3	38,400	4.1	28	45	⁴ 30	⁴ 45	73	80
		220	12.6	43,000	4.1	31	52	35	60	83	90
		230	13.8	47,000	4.1	31	52	35	60	83	90
		240	15.0	51,200	4.1	31	52	35	60	83	90
20 kW 19 lbs. ECB29-20CB (19F21) (1) 60A Circuit breaker and (1) 60A Circuit Breaker	2	208	15.0	51,200	4.1	46	50	⁴ 50	⁴ 50	96	100
		220	16.8	57,300	4.1	52	57	60	60	109	125
		230	18.4	62,700	4.1	52	57	60	60	109	125
		240	20.0	68,200	4.1	52	57	60	60	109	125

NOTE - Circuit 1 Minimum Circuit Ampacity includes the Blower Motor Full Load Amps.

¹ Electric heater capacity only - does not include additional blower motor heat capacity.

² Amps shown are for blower motor only.

³ Refer to National or Canadian Electrical Code manual to determine wire, fuse and disconnect size requirements. Use wires suitable for at least 167°F.

⁴ Bold text indicates that the circuit breaker on "CB" circuit breaker models must be replaced with size noted. See Table on Page 10.

⁵ HACR type circuit breaker or fuse.

ELECTRIC HEAT DATA

CBA27UHE-036 | THREE PHASE

Electric Heat Model Number	No. of Stages	Input			² Blower Motor Full Load Amps	³ Minimum Circuit Ampacity		⁵ Maximum Overcurrent Protection		Single Point Power Source		
		Volts	kW	¹ Btuh		Ckt 1	Ckt 2	Ckt 1	Ckt 2	³ Minimum Circuit Ampacity	⁵ Maximum Overcurrent Protection	
8 kW 5 lbs. ECB29-8 (19F24) Terminal Block	1	208	6.0	20,500	4.1	26	---	30	---	---	---	
		220	6.7	22,900	4.1	29	---	30	---	---	---	
		230	7.3	25,100	4.1	29	---	30	---	---	---	
		240	8.0	27,300	4.1	29	---	30	---	---	---	
10 kW 6 lbs. ECB29-10 (19F27) Terminal Block	1	208	7.5	25,600	4.1	31	---	35	---	---	---	
		220	8.4	28,700	4.1	35	---	35	---	---	---	
		230	9.2	31,400	4.1	35	---	35	---	---	---	
		240	10.0	34,100	4.1	35	---	35	---	---	---	
	ECB29-10 (19F31) (3) 20A Fuses	1	440	8.4	28,700	2.1	16	---	20	---	---	---
			460	9.2	31,400	2.1	17	---	20	---	---	---
			480	10.0	34,100	2.1	17	---	20	---	---	---
15 kW 12 lbs. ECB29-15CB (19F28) (1) 50A Circuit breaker	1	208	11.3	38,400	4.1	44	---	45	---	---	---	
		220	12.6	43,000	4.1	50	---	50	---	---	---	
		230	13.5	47,000	4.1	50	---	50	---	---	---	
		240	15.0	51,200	4.1	50	---	50	---	---	---	
	ECB29-15 (19F32) (3) 25A Fuses	1	440	12.6	43,000	2.1	23	---	25	---	---	---
			460	13.5	47,000	2.1	24	---	25	---	---	---
			480	15.0	51,200	2.1	25	---	30	---	---	---
20 kW 19 lbs. ECB29-20CB (19F29) (2) 35A Circuit breaker	2	208	15.0	51,200	4.1	31	26	35	30	57	60	
		220	16.8	57,300	4.1	35	30	35	30	65	70	
		230	18.4	62,700	4.1	35	30	35	30	65	70	
		240	20.0	68,200	4.1	35	30	35	30	65	70	

NOTE - Circuit 1 Minimum Circuit Ampacity includes the Blower Motor Full Load Amps.

¹ Electric heater capacity only - does not include additional blower motor heat capacity.

² Amps shown are for blower motor only.

³ Refer to National or Canadian Electrical Code manual to determine wire, fuse and disconnect size requirements. Use wires suitable for at least 167°F.

⁴ Bold text indicates that the circuit breaker on "CB" circuit breaker models must be replaced with size noted. See Table on Page 10.

⁵ HACR type circuit breaker or fuse.

ELECTRIC HEAT DATA

CBA27UHE-042 | SINGLE PHASE

kW lbs.	Electric Heat Model Number	No. of Stages	Volts Input	kW Input	1 Btuh Input	2 Blower Motor Full Load Amps	3 Minimum Circuit Ampacity			5 Maximum Overcurrent Protection			Single Point Power Source	
							Ckt 1	Ckt 2	Ckt 3	Ckt 1	Ckt 2	Ckt 3	3 Minimum Circuit Ampacity	5 Maximum Overcurrent Protection
4 kW 4 lbs.	ECB29-4 (19F03) Terminal Block ECB29-4CB (19F09) 30A Circuit breaker	1	208	3.0	10,250	7.6	28	---	---	30	---	---	---	---
			220	3.4	11,450	7.6	30	---	---	30	---	---	---	---
			230	3.7	12,550	7.6	30	---	---	30	---	---	---	---
			240	4.0	13,650	7.6	30	---	---	30	---	---	---	---
5 kW 4 lbs.	ECB29-5 (19F04) Terminal Block ECB29-5CB (19F12) 35A Circuit breaker	1	208	3.8	12,800	7.6	32	---	---	35	---	---	---	---
			220	4.2	14,300	7.6	36	---	---	40	---	---	---	---
			230	4.6	15,700	7.6	36	---	---	40	---	---	---	---
			240	5.0	17,100	7.6	36	---	---	40	---	---	---	---
6 kW 4 lbs.	ECB29-6 (19F06) Terminal Block ECB29-6CB (19F14) 40A Circuit breaker	1	208	4.5	15,400	7.6	37	---	---	40	---	---	---	---
			220	5.0	17,100	7.6	41	---	---	45	---	---	---	---
			230	5.5	18,800	7.6	41	---	---	45	---	---	---	---
			240	6.0	20,500	7.6	41	---	---	45	---	---	---	---
8 kW 5 lbs.	ECB29-8 (19F07) Terminal Block ECB29-8CB (19F15) 50A Circuit breaker	1	208	6.0	20,500	7.6	46	---	---	50	---	---	---	---
			220	6.7	22,900	7.6	51	---	---	60	---	---	---	---
			230	7.3	25,100	7.6	51	---	---	60	---	---	---	---
			240	8.0	27,300	7.6	51	---	---	60	---	---	---	---
9 kW 5 lbs.	ECB29-9CB (19F16) 60A Circuit breaker	2	208	6.8	23,100	7.6	50	---	---	50	---	---	---	---
			220	7.6	25,800	7.6	56	---	---	60	---	---	---	---
			230	8.3	28,200	7.6	56	---	---	60	---	---	---	---
			240	9.0	30,700	7.6	56	---	---	60	---	---	---	---
12.5 kW 10 lbs.	ECB29-12.5CB (19F19) (1) 30A Circuit breaker and (1) 45A Circuit breaker	2	208	9.4	32,000	7.6	28	38	---	30	40	---	66	80
			220	10.5	35,800	7.6	31	43	---	35	45	---	75	80
			230	11.5	39,200	7.6	31	43	---	35	45	---	75	80
			240	12.5	42,600	7.6	31	43	---	35	45	---	75	80
15 kW 12 lbs.	ECB29-15CB (19F20) (1) 35A Circuit breaker and (1) 60A Circuit breaker	2	208	11.3	38,400	7.6	32	45	---	35	45	---	77	80
			220	12.6	43,000	7.6	36	52	---	40	60	---	88	90
			230	13.5	47,000	7.6	36	52	---	40	60	---	88	90
			240	15.0	51,200	7.6	36	52	---	40	60	---	88	90
20 kW 19 lbs.	ECB29-20CB (19F21) (1) 60A Circuit breaker and (1) 60A Circuit breaker	2	208	15.0	51,200	7.6	50	50	---	50	50	---	100	125
			220	16.8	57,300	7.6	56	57	---	60	60	---	114	125
			230	18.4	62,700	7.6	56	57	---	60	60	---	114	125
			240	20.0	68,200	7.6	56	57	---	60	60	---	114	125
25 kW 19 lbs.	ECB29-25CB (19F22) (1) 60A Circuit breaker and (2) 45A Circuit breakers	3	208	18.8	64,100	7.6	47	38	38	50	40	40	123	125
			220	21.0	71,700	7.6	53	43	43	60	45	45	140	150
			230	23.0	78,300	7.6	53	43	43	60	45	45	140	150
			240	25.0	85,300	7.6	53	43	43	60	45	45	140	150

¹ Electric heater capacity only - does not include additional blower motor heat capacity.

² Amps shown are for blower motor only.

³ Refer to National or Canadian Electrical Code manual to determine wire, fuse and disconnect size requirements. Use wires suitable for at least 167°F.

⁴ Bold text indicates that the circuit breaker on "CB" circuit breaker models must be replaced with size noted. See Table on Page 10.

⁵ HACR type circuit breaker or fuse.

ELECTRIC HEAT DATA

CBA27UHE-042 | THREE PHASE

Electric Heat Model Number	No. of Stages	Input			² Blower Motor Full Load Amps	³ Minimum Circuit Ampacity		⁵ Maximum Overcurrent Protection		Single Point Power Source	
		Volts	kW	¹ Btuh		Ckt 1	Ckt 2	Ckt 1	Ckt 2	³ Minimum Circuit Ampacity	⁵ Maximum Overcurrent Protection
8 kW 5 lbs. ECB29-8 (19F24) Terminal block	1	208	6.0	20,500	7.6	30	---	30	---	---	---
		220	6.7	22,900	7.6	33	---	35	---	---	---
		230	7.3	25,100	7.6	33	---	35	---	---	---
		240	8.0	27,300	7.6	33	---	35	---	---	---
10 kW 6 lbs. ECB29-10 (19F27) Terminal Block	1	208	7.5	25,600	7.6	36	---	40	---	---	---
		220	8.4	28,700	7.6	40	---	40	---	---	---
		230	9.2	31,400	7.6	40	---	40	---	---	---
		240	10.0	34,100	7.6	40	---	40	---	---	---
15 kW 12 lbs. ECB29-15CB (19F28) 50A Circuit breaker	1	208	11.3	38,400	7.6	49	---	50	---	---	---
		220	12.6	43,000	7.6	55	---	⁴ 60	---	---	---
		230	13.5	47,000	7.6	55	---	⁴ 60	---	---	---
		240	15.0	51,200	7.6	55	---	⁴ 60	---	---	---
20 kW 19 lbs. ECB29-20CB (19F29) (2) 35A Circuit breaker	2	208	15.0	51,200	7.6	36	26	⁴ 40	⁴ 30	62	70
		220	16.8	57,300	7.6	40	30	⁴ 40	⁴ 30	70	70
		230	18.4	62,700	7.6	40	30	⁴ 40	⁴ 30	70	70
		240	20.0	68,200	7.6	40	30	⁴ 40	⁴ 30	70	70
25 kW 19 lbs. ECB29-25CB (19F30) (2) 45A Circuit breaker	2	208	18.8	64,100	7.6	42	33	⁴ 50	⁴ 35	62	70
		220	21.0	71,700	7.6	47	38	⁴ 50	⁴ 40	85	90
		230	23.0	78,300	7.6	47	38	⁴ 50	⁴ 40	85	90
		240	25.0	85,300	7.6	47	38	⁴ 50	⁴ 40	85	90

NOTE - Circuit 1 Minimum Circuit Ampacity includes the Blower Motor Full Load Amps.

¹ Electric heater capacity only - does not include additional blower motor heat capacity.

² Amps shown are for blower motor only.

³ Refer to National or Canadian Electrical Code manual to determine wire, fuse and disconnect size requirements. Use wires suitable for at least 167°F.

⁴ Bold text indicates that the circuit breaker on "CB" circuit breaker models must be replaced with size noted. See Table on Page 10.

⁵ HACR type circuit breaker or fuse.

⁶ Blower motor is rated at 460V.

ELECTRIC HEAT DATA

CBA27UHE-048 | SINGLE PHASE

Electric Heat Model Number	No. of Stages	Input			² Blower Motor Full Load Amps	³ Minimum Circuit Ampacity			⁵ Maximum Overcurrent Protection			Single Point Power Source	
		Volts	kW	¹ Btuh		Ckt 1	Ckt 2	Ckt 3	Ckt 1	Ckt 2	Ckt 3	3 Minimum Circuit Ampacity	5 Maximum Overcurrent Protection
4 kW 4 lbs. ECB29-4 (19F03) Terminal Block ECB29-4CB (19F09) 30A Circuit breaker	1	208	3.0	10,250	7.6	28	---	---	30	---	---	---	---
		220	3.4	11,450	7.6	30	---	---	30	---	---	---	---
		230	3.7	12,550	7.6	30	---	---	30	---	---	---	---
		240	4.0	13,650	7.6	30	---	---	30	---	---	---	---
5 kW 4 lbs. ECB29-5 (19F04) Terminal Block ECB29-5CB (19F12) 35A Circuit breaker	1	208	3.8	12,800	7.6	32	---	---	35	---	---	---	---
		220	4.2	14,300	7.6	36	---	---	⁴ 40	---	---	---	---
		230	4.6	15,700	7.6	36	---	---	⁴ 40	---	---	---	---
		240	5.0	17,100	7.6	36	---	---	⁴ 40	---	---	---	---
6 kW 4 lbs. ECB29-6 (19F06) Terminal Block ECB29-6CB (19F14) 40A Circuit breaker	1	208	4.5	15,400	7.6	37	---	---	40	---	---	---	---
		220	5.0	17,100	7.6	41	---	---	⁴ 45	---	---	---	---
		230	5.5	18,800	7.6	41	---	---	⁴ 45	---	---	---	---
		240	6.0	20,500	7.6	41	---	---	⁴ 45	---	---	---	---
8 kW 5 lbs. ECB29-8 (19F07) Terminal Block ECB29-8CB (19F15) 50A Circuit breaker	1	208	6.0	20,500	7.6	46	---	---	50	---	---	---	---
		220	6.7	22,900	7.6	51	---	---	⁴ 60	---	---	---	---
		230	7.3	25,100	7.6	51	---	---	⁴ 60	---	---	---	---
		240	8.0	27,300	7.6	51	---	---	⁴ 60	---	---	---	---
9 kW 5 lbs. ECB29-9CB (19F16) 60A Circuit breaker	2	208	6.8	23,100	7.6	50	---	---	⁴ 50	---	---	---	---
		220	7.6	25,800	7.6	56	---	---	60	---	---	---	---
		230	8.3	28,200	7.6	56	---	---	60	---	---	---	---
		240	9.0	30,700	7.6	56	---	---	60	---	---	---	---
12.5 kW 10 lbs. ECB29-12.5CB (19F19) (1) 30A Circuit breaker & (1) 45A Circuit breaker	2	208	9.4	32,000	7.6	28	38	---	30	⁴ 40	---	66	70
		220	10.5	35,800	7.6	31	43	---	⁴ 35	45	---	75	80
		230	11.5	39,200	7.6	31	43	---	⁴ 35	45	---	75	80
		240	12.5	42,600	7.6	31	43	---	⁴ 35	45	---	75	80
15 kW 12 lbs. ECB29-15CB (19F20) (1) 35A Circuit breaker & (1) 60A Circuit breaker	2	208	11.3	38,400	7.6	32	45	---	35	⁴ 45	---	77	80
		220	12.6	43,000	7.6	36	52	---	⁴ 40	60	---	88	90
		230	13.5	47,000	7.6	36	52	---	⁴ 40	60	---	88	90
		240	15.0	51,200	7.6	36	52	---	⁴ 40	60	---	88	90
20 kW 19 lbs. ECB29-20CB (19F21) (1) 60A Circuit breaker & (1) 60A Circuit breaker	2	208	15.0	51,200	7.6	50	50	---	⁴ 50	⁴ 50	---	100	125
		220	16.8	57,300	7.6	56	57	---	60	60	---	114	125
		230	18.4	62,700	7.6	56	57	---	60	60	---	114	125
		240	20.0	68,200	7.6	56	57	---	60	60	---	114	125
25 kW 19 lbs. ECB29-25CB (19F22) (1) 60A Circuit breaker & (2) 45A Circuit breakers	3	208	18.8	64,100	7.6	47	38	38	⁴ 50	⁴ 40	⁴ 40	123	125
		220	21.0	71,700	7.6	53	43	43	60	45	45	140	150
		230	23.0	78,300	7.6	53	43	43	60	45	45	140	150
		240	25.0	85,300	7.6	53	43	43	60	45	45	140	150

NOTE - Circuit 1 Minimum Circuit Ampacity includes the Blower Motor Full Load Amps.

¹ Electric heater capacity only - does not include additional blower motor heat capacity.

² Amps shown are for blower motor only.

³ Refer to National or Canadian Electrical Code manual to determine wire, fuse and disconnect size requirements. Use wires suitable for at least 167°F.

⁴ Bold text indicates that the circuit breaker on "CB" circuit breaker models must be replaced with size noted. See Table on Page 10.

⁵ HACR type circuit breaker or fuse.

ELECTRIC HEAT DATA

CBA27UHE-048 | THREE PHASE

	Electric Heat Model Number	No. of Stages	Input			² Blower Motor Full Load Amps	³ Minimum Circuit Ampacity		⁵ Maximum Overcurrent Protection		Single Point Power Source	
			Volts	kW	¹ Btuh		Ckt 1	Ckt 2	Ckt 1	Ckt 2	³ Minimum Circuit Ampacity	⁵ Maximum Overcurrent Protection
8 kW 5 lbs.	ECB29-8 (19F24) Terminal block	1	208	6.0	20,500	7.6	30	---	30	---	---	---
			220	6.7	22,900	7.6	33	---	35	---	---	---
			230	7.3	25,100	7.6	33	---	35	---	---	---
			240	8.0	27,300	7.6	33	---	35	---	---	---
10 kW 6 lbs.	ECB29-10 (19F27) Terminal Block	1	208	7.5	25,600	7.6	36	---	40	---	---	---
			220	8.4	28,700	7.6	40	---	40	---	---	---
			230	9.2	31,400	7.6	40	---	40	---	---	---
			240	10.0	34,100	7.6	40	---	40	---	---	---
	ECB29-10 (19F31) (3) 20A Fuses	1	440	8.4	28,700	4.0	18	---	20	---	---	---
			460	9.2	31,400	4.0	19	---	20	---	---	---
			480	10.0	34,100	4.0	20	---	25	---	---	---
	15 kW 12 lbs.	ECB29-15CB (19F28) 50A Circuit breaker	1	208	11.3	38,400	7.6	49	---	50	---	---
220				12.6	43,000	7.6	55	---	⁴ 60	---	---	---
230				13.5	47,000	7.6	55	---	⁴ 60	---	---	---
240				15.0	51,200	7.6	55	---	⁴ 60	---	---	---
ECB29-15 (19F32) (3) 25A Fuses		1	440	12.6	43,000	4.0	25	---	30	---	---	---
			460	13.5	47,000	4.0	26	---	30	---	---	---
20 kW 19 lbs.	ECB29-20CB (19F29) (2) 35A Circuit breaker	2	208	15.0	51,200	7.6	36	26	⁴ 40	⁴ 30	62	70
			220	16.8	57,300	7.6	40	30	⁴ 40	⁴ 30	70	70
			230	18.4	62,700	7.6	40	30	⁴ 40	⁴ 30	70	70
			240	20.0	68,200	7.6	40	30	⁴ 40	⁴ 30	70	70
	ECB29-20 (19F33) (3) 35A Fuses	1	440	16.8	57,300	4.0	33	---	35	---	---	---
			460	18.4	62,700	4.0	34	---	35	---	---	---
			480	20.0	68,200	4.0	35	---	40	---	---	---
	⁶ ECB29-20 (19F35) (3) 25A Fuses	1	550	16.8	57,300	4.0	27	---	30	---	---	---
			575	18.4	62,700	4.0	28	---	30	---	---	---
			600	20.0	68,200	4.0	29	---	30	---	---	---
25 kW 19 lbs.	ECB29-25CB (19F30) (2) 45A Circuit breaker	2	208	18.8	64,100	7.6	42	33	⁴ 50	⁴ 35	75	80
			220	21.0	71,700	7.6	47	38	⁴ 50	⁴ 40	85	90
			230	23.0	78,300	7.6	47	38	⁴ 50	⁴ 40	85	90
			240	25.0	85,300	7.6	47	38	⁴ 50	⁴ 40	85	90
	ECB29-25 (19F34) (3) 40A Fuses	1	440	21.0	71,700	4.0	39	---	40	---	---	---
			460	23.0	78,300	4.0	41	---	45	---	---	---
			480	25.0	85,300	4.0	42	---	45	---	---	---
	⁶ ECB29-25 (19F36) (3) 35A Fuses	1	550	21.0	71,700	4.0	32	---	35	---	---	---
			575	23.0	78,300	4.0	34	---	35	---	---	---
			600	25.0	85,300	4.0	35	---	40	---	---	---

NOTE - Circuit 1 Minimum Circuit Ampacity includes the Blower Motor Full Load Amps.

¹ Electric heater capacity only - does not include additional blower motor heat capacity.

² Amps shown are for blower motor only.

³ Refer to National or Canadian Electrical Code manual to determine wire, fuse and disconnect size requirements. Use wires suitable for at least 167°F.

⁴ Bold text indicates that the circuit breaker on "CB" circuit breaker models must be replaced with size noted. See Table on Page 10.

⁵ HACR type circuit breaker or fuse.

⁶ Blower motor is rated at 460V.

ELECTRIC HEAT DATA

CBA27UHE-060 | SINGLE PHASE

Electric Heat Model Number	No. of Stages	Input			² Blower Motor Full Load Amps	³ Minimum Circuit Ampacity			⁵ Maximum Overcurrent Protection			Single Point Power Source	
		Volts	kW	¹ Btuh		Ckt 1	Ckt 2	Ckt 3	Ckt 1	Ckt 2	Ckt 3	³ Minimum Circuit Ampacity	⁵ Maximum Overcurrent Protection
4 kW 4 lbs. ECB29-4 (19F03) Terminal Block ECB29-4CB (19F09) 30A Circuit breaker	1	208	3.0	10,250	7.6	28	---	---	30	---	---	---	---
		220	3.4	11,450	7.6	30	---	---	30	---	---	---	---
		230	3.7	12,550	7.6	30	---	---	30	---	---	---	---
		240	4.0	13,650	7.6	30	---	---	30	---	---	---	---
5 kW 4 lbs. ECB29-5 (19F04) Terminal Block ECB29-5CB (19F12) 35A Circuit breaker	1	208	3.8	12,800	7.6	32	---	---	35	---	---	---	---
		220	4.2	14,300	7.6	36	---	---	⁴ 40	---	---	---	---
		230	4.6	15,700	7.6	36	---	---	⁴ 40	---	---	---	---
		240	5.0	17,100	7.6	36	---	---	⁴ 40	---	---	---	---
6 kW 4 lbs. ECB29-6 (19F06) Terminal Block ECB29-6CB (19F14) 40A Circuit breaker	1	208	4.5	15,400	7.6	37	---	---	40	---	---	---	---
		220	5.0	17,100	7.6	41	---	---	⁴ 45	---	---	---	---
		230	5.5	18,800	7.6	41	---	---	⁴ 45	---	---	---	---
		240	6.0	20,500	7.6	41	---	---	⁴ 45	---	---	---	---
8 kW 5 lbs. ECB29-8 (19F07) Terminal Block ECB29-8CB (19F15) 50A Circuit breaker	1	208	6.0	20,500	7.6	46	---	---	50	---	---	---	---
		220	6.7	22,900	7.6	51	---	---	⁴ 60	---	---	---	---
		230	7.3	25,100	7.6	51	---	---	⁴ 60	---	---	---	---
		240	8.0	27,300	7.6	51	---	---	⁴ 60	---	---	---	---
9 kW 5 lbs. ECB29-9CB (19F16) 60A Circuit breaker	2	208	6.8	23,100	7.6	50	---	---	⁴ 50	---	---	---	---
		220	7.6	25,800	7.6	56	---	---	60	---	---	---	---
		230	8.3	28,200	7.6	56	---	---	60	---	---	---	---
		240	9.0	30,700	7.6	56	---	---	60	---	---	---	---
12.5 kW 10 lbs. ECB29-12.5CB (19F19) (1) 30A Circuit breaker & (1) 45A Circuit breaker	2	208	9.4	32,000	7.6	28	38	---	30	⁴ 40	---	66	70
		220	10.5	35,800	7.6	31	43	---	⁴ 35	45	---	75	80
		230	11.5	39,200	7.6	31	43	---	⁴ 35	45	---	75	80
		240	12.5	42,600	7.6	31	43	---	⁴ 35	45	---	75	80
15 kW 12 lbs. ECB29-15CB (19F20) (1) 35A Circuit breaker & (1) 60A Circuit breaker	2	208	11.3	38,400	7.6	32	45	---	35	⁴ 45	---	77	80
		220	12.6	43,000	7.6	36	52	---	⁴ 40	60	---	88	90
		230	13.5	47,000	7.6	36	52	---	⁴ 40	60	---	88	90
		240	15.0	51,200	7.6	36	52	---	⁴ 40	60	---	88	90
20 kW 19 lbs. ECB29-20CB (19F21) (1) 60A Circuit breaker & (1) 60A Circuit breaker	2	208	15.0	51,200	7.6	50	50	---	⁴ 50	⁴ 50	---	100	125
		220	16.8	57,300	7.6	56	57	---	60	60	---	114	125
		230	18.4	62,700	7.6	56	57	---	60	60	---	114	125
		240	20.0	68,200	7.6	56	57	---	60	60	---	114	125
25 kW 19 lbs. ECB29-25CB (19F22) (1) 60A Circuit breaker & (2) 45A Circuit breakers	3	208	18.8	64,100	7.6	47	38	38	⁴ 50	⁴ 40	⁴ 40	123	125
		220	21.0	71,700	7.6	53	43	43	60	45	45	140	150
		230	23.0	78,300	7.6	53	43	43	60	45	45	140	150
		240	25.0	85,300	7.6	53	43	43	60	45	45	140	150

NOTE - Circuit 1 Minimum Circuit Ampacity includes the Blower Motor Full Load Amps.

¹ Electric heater capacity only - does not include additional blower motor heat capacity.

² Amps shown are for blower motor only.

³ Refer to National or Canadian Electrical Code manual to determine wire, fuse and disconnect size requirements. Use wires suitable for at least 167°F.

⁴ Bold text indicates that the circuit breaker on "CB" circuit breaker models must be replaced with size noted. See Table on Page 10.

⁵ HACR type circuit breaker or fuse.

ELECTRIC HEAT DATA

CBA27UHE-060 | THREE PHASE

Electric Heat Model Number	No. of Stages	Input			² Blower Motor Full Load Amps	³ Minimum Circuit Ampacity		⁵ Maximum Overcurrent Protection		Single Point Power Source		
		Volts	kW	¹ Btuh		Ckt 1	Ckt 2	Ckt 1	Ckt 2	³ Minimum Circuit Ampacity	⁵ Maximum Overcurrent Protection	
8 kW 5 lbs. ECB29-8 (19F24) Terminal block	1	208	6.0	20,500	7.6	30	---	30	---	---	---	
		220	6.7	22,900	7.6	33	---	35	---	---	---	
		230	7.3	25,100	7.6	33	---	35	---	---	---	
		240	8.0	27,300	7.6	33	---	35	---	---	---	
10 kW 6 lbs. ECB29-10 (19F27) Terminal Block	1	208	7.5	25,600	7.6	36	---	40	---	---	---	
		220	8.4	28,700	7.6	40	---	40	---	---	---	
		230	9.2	31,400	7.6	40	---	40	---	---	---	
		240	10.0	34,100	7.6	40	---	40	---	---	---	
	ECB29-10 (19F31) (3) 20A Fuses	1	440	8.4	28,700	4.0	18	---	20	---	---	---
			460	9.2	31,400	4.0	19	---	20	---	---	---
			480	10.0	34,100	4.0	20	---	25	---	---	---
	15 kW 12 lbs. ECB29-15CB (19F28) 50A Circuit breaker	1	208	11.3	38,400	7.6	49	---	50	---	---	---
220			12.6	43,000	7.6	55	---	460	---	---	---	
230			13.5	47,000	7.6	55	---	460	---	---	---	
240			15.0	51,200	7.6	55	---	460	---	---	---	
ECB29-15 (19F32) (3) 25A Fuses		1	440	12.6	43,000	4.0	25	---	30	---	---	---
			460	13.5	47,000	4.0	26	---	30	---	---	---
20 kW 19 lbs. ECB29-20CB (19F29) (2) 35A Circuit breaker	2	208	15.0	51,200	7.6	36	26	440	430	62	70	
		220	16.8	57,300	7.6	40	30	440	430	70	70	
		230	18.4	62,700	7.6	40	30	440	430	70	70	
		240	20.0	68,200	7.6	40	30	440	430	70	70	
	ECB29-20 (19F33) (3) 35A Fuses	1	440	16.8	57,300	4.0	33	---	35	---	---	---
			460	18.4	62,700	4.0	34	---	35	---	---	---
			480	20.0	68,200	4.0	35	---	40	---	---	---
	⁶ ECB29-20 (19F35) (3) 25A Fuses	1	550	16.8	57,300	4.0	27	---	30	---	---	---
			575	18.4	62,700	4.0	28	---	30	---	---	---
			600	20.0	68,200	4.0	29	---	30	---	---	---
25 kW 19 lbs. ECB29-25CB (19F30) (2) 45A Circuit breaker	2	208	18.8	64,100	7.6	42	33	45	435	75	80	
		220	21.0	71,700	7.6	47	38	450	440	85	90	
		230	23.0	78,300	7.6	47	38	450	440	85	90	
		240	25.0	85,300	7.6	47	38	450	440	85	90	
	ECB29-25 (19F34) (3) 40A Fuses	1	440	21.0	71,700	4.0	39	---	40	---	---	---
			460	23.0	78,300	4.0	41	---	45	---	---	---
			480	25.0	85,300	4.0	42	---	45	---	---	---
	⁶ ECB29-25 (19F36) (3) 35A Fuses	1	550	21.0	71,700	4.0	32	---	35	---	---	---
			575	23.0	78,300	4.0	34	---	35	---	---	---
			600	25.0	85,300	4.0	35	---	40	---	---	---

NOTE - Circuit 1 Minimum Circuit Ampacity includes the Blower Motor Full Load Amps.

¹ Electric heater capacity only - does not include additional blower motor heat capacity.

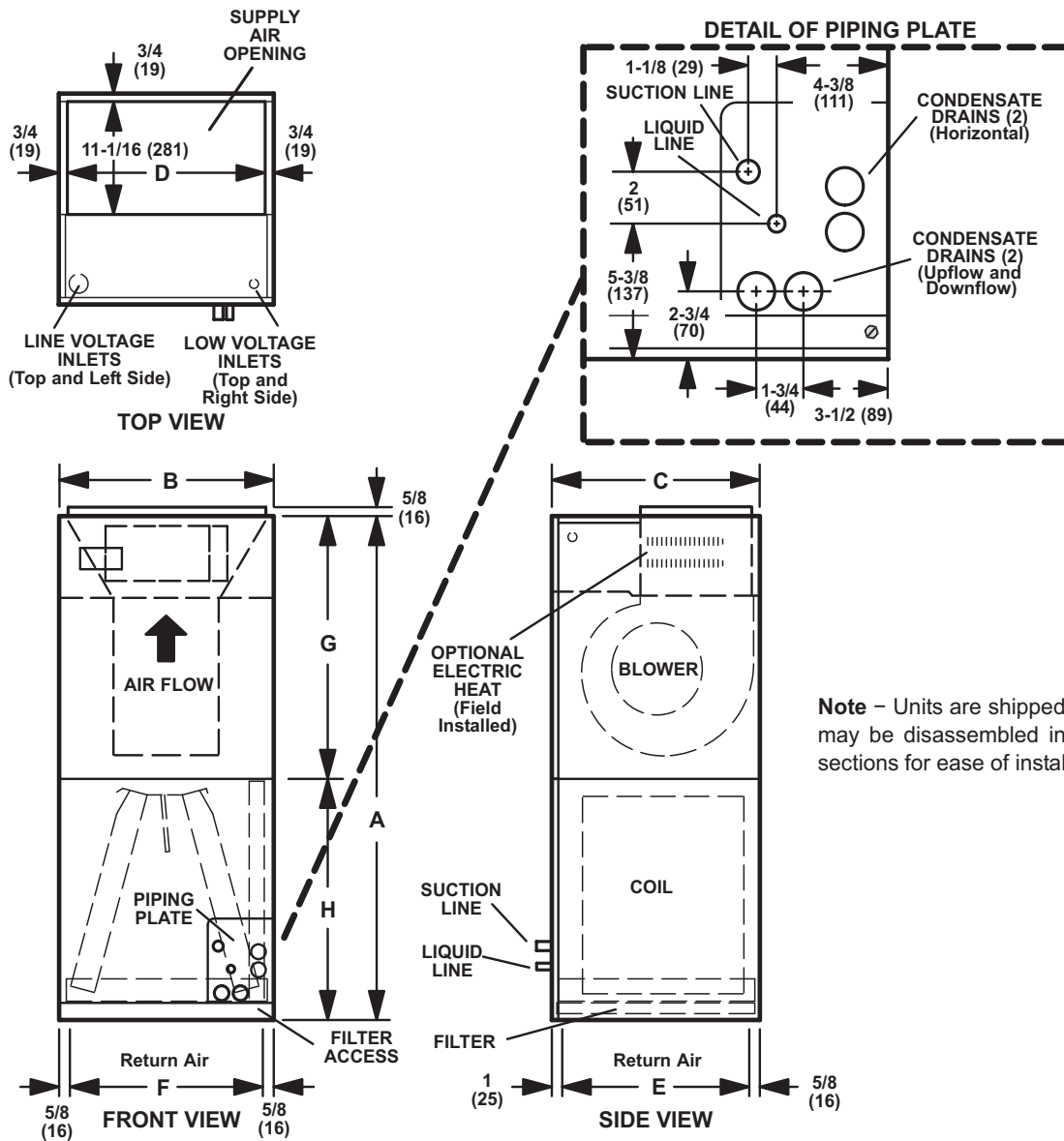
² Amps shown are for blower motor only.

³ Refer to National or Canadian Electrical Code manual to determine wire, fuse and disconnect size requirements. Use wires suitable for at least 167°F.

⁴ Bold text indicates that the circuit breaker on "CB" circuit breaker models must be replaced with size noted. See Table on Page 10.

⁵ HACR type circuit breaker or fuse.

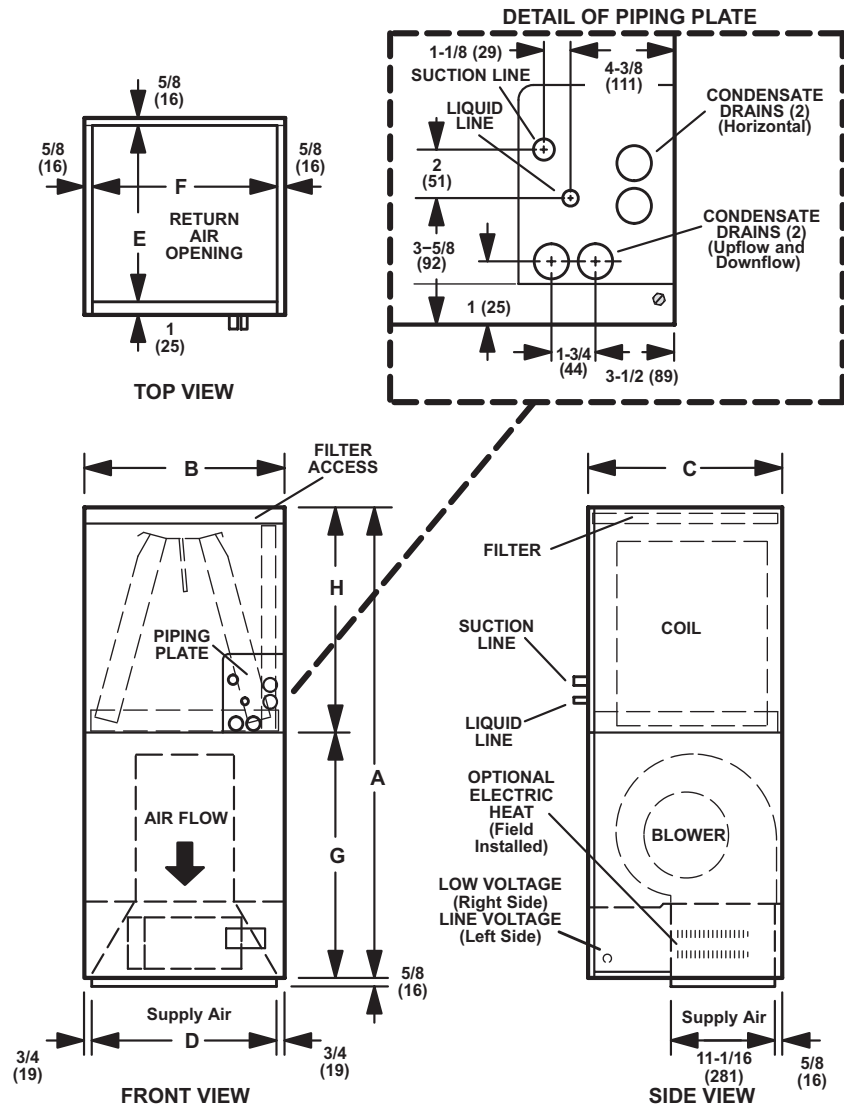
⁶ Blower motor is rated at 460V.



Note - Units are shipped in one piece but may be disassembled into two separate sections for ease of installation.

Model No.		A	B	C	D	E	F	G	H
CBA27UHE-018	in.	49-1/4	21-1/4	20-5/8	19-3/4	19	19	24-5/8	24-5/8
CBA27UHE-024	mm	1251	540	524	502	483	508	625	625
CBA27UHE-030	in.	51	21-1/4	22-5/8	19-3/4	21	20	26-3/8	24-5/8
CBA27UHE-036	mm	1295	540	575	502	533	508	670	625
CBA27UHE-042	in.	58-1/2	21-1/4	24-5/8	19-3/4	23	20	27-7/8	30-5/8
CBA27UHE-048	mm	1486	540	625	502	584	508	708	778
CBA27UHE-060	in.	62-1/2	21-1/4	24-5/8	19-3/4	23	20	27-7/8	34-5/8
	mm	1588	540	625	502	584	508	708	879

NOTE - Optional Downflow Conversion Kit Required

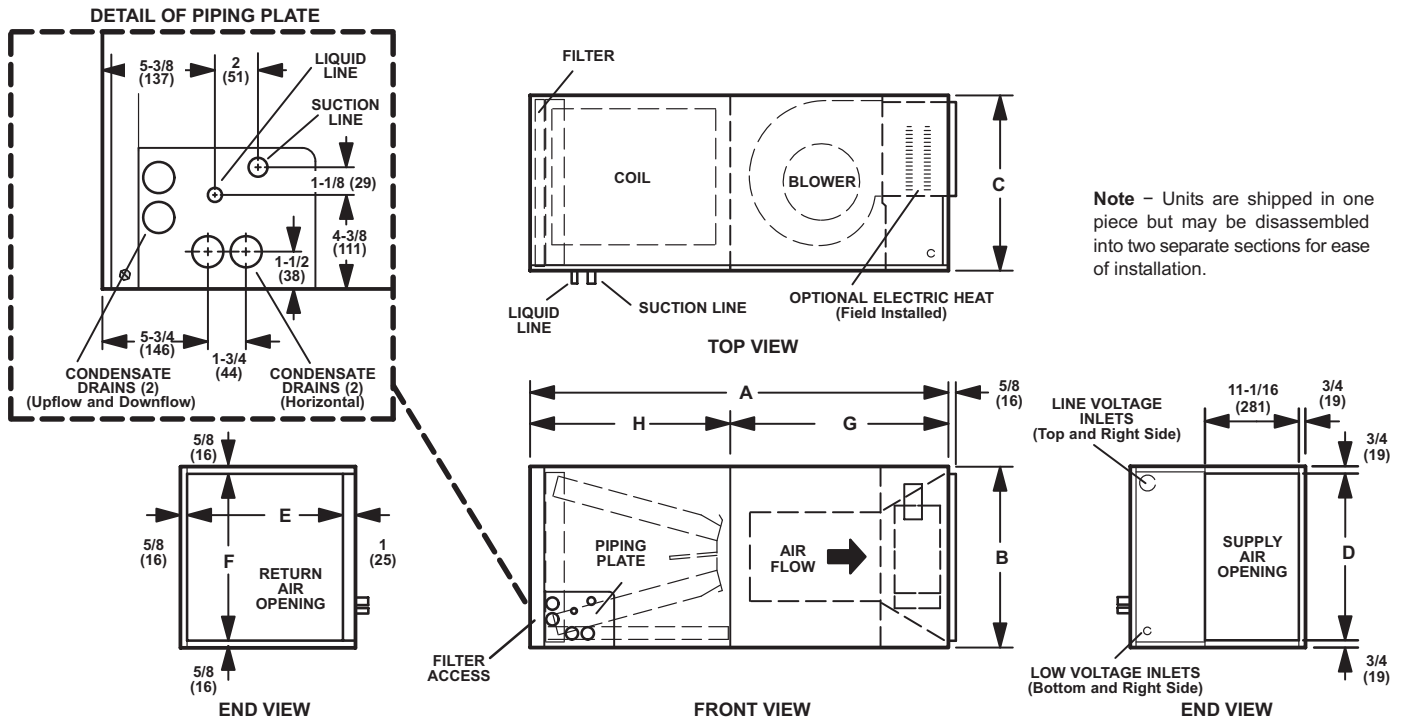


Note - Units are shipped in one piece but may be disassembled into two separate sections for ease of installation.

Model No.		A	B	C	D	E	F	G	H
CBA27UHE-018	in.	49-1/4	21-1/4	20-5/8	19-3/4	19	20	24-5/8	24-5/8
CBA27UHE-024	mm	1251	540	524	502	483	508	625	625
CBA27UHE-030	in.	51	21-1/4	22-5/8	19-3/4	21	20	26-3/8	24-5/8
CBA27UHE-036	mm	1295	540	575	502	533	508	670	625
CBA27UHE-042	in.	58-1/2	21-1/4	24-5/8	19-3/4	23	20	27-7/8	30-5/8
CBA27UHE-048	mm	1486	540	625	502	584	508	708	778
CBA27UHE-060	in.	62-1/2	21-1/4	24-5/8	19-3/4	23	20	27-7/8	34-5/8
	mm	1588	540	625	502	584	508	708	879

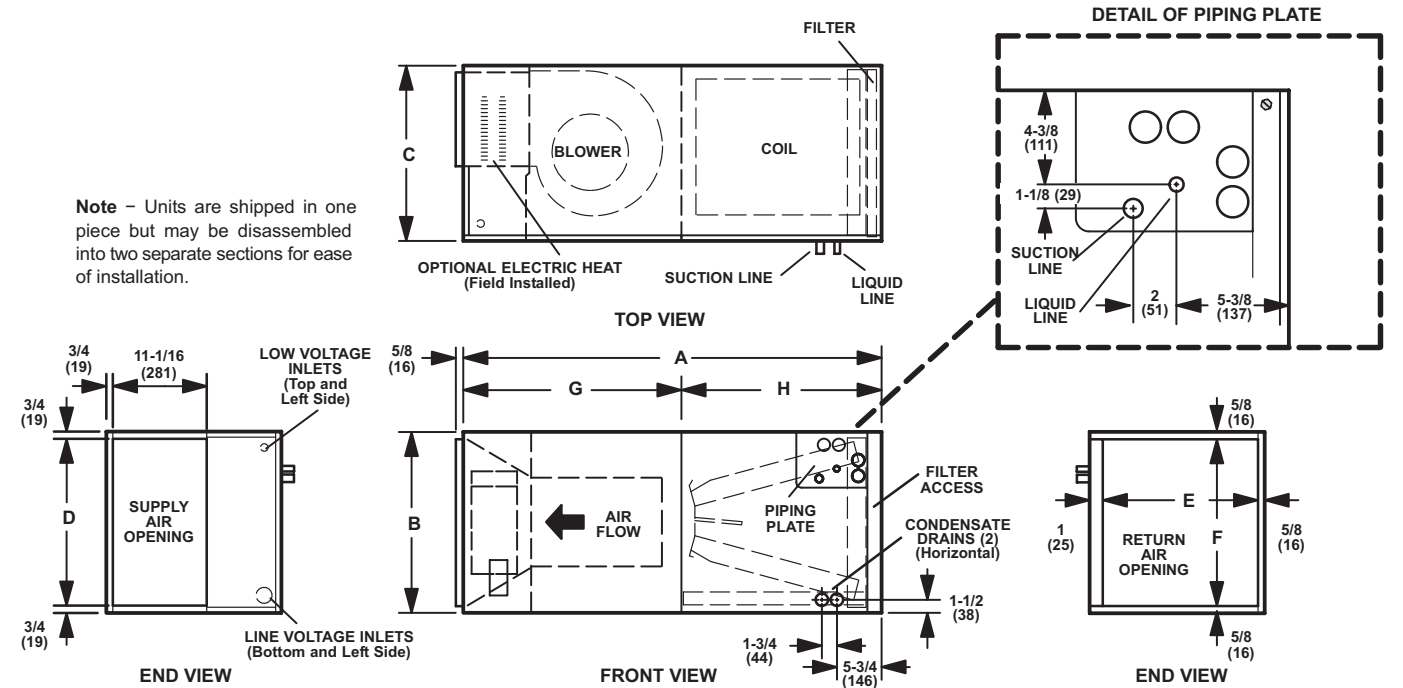
DIMENSIONS - UNIT

HORIZONTAL RIGHT-HAND POSITION

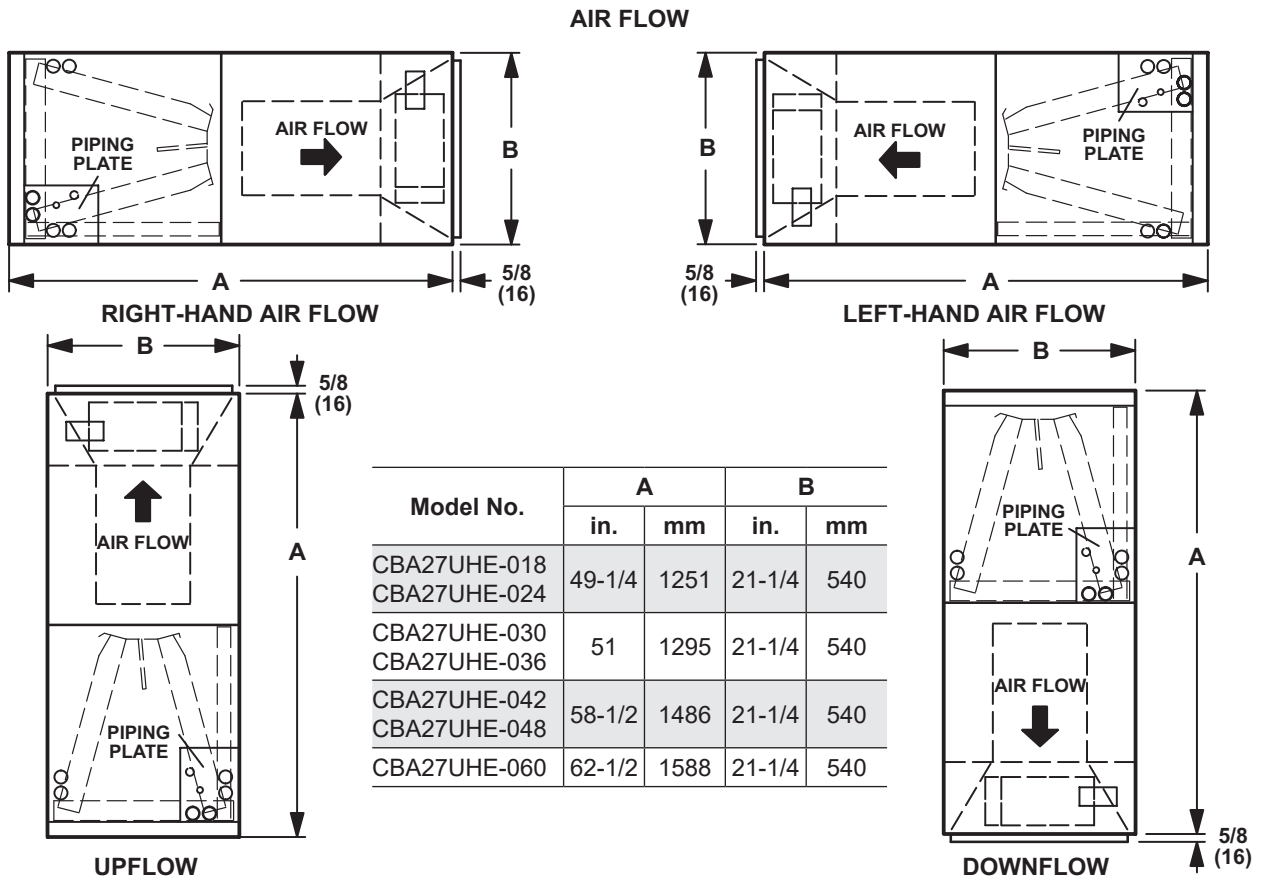


DIMENSIONS - UNIT

HORIZONTAL LEFT-HAND POSITION



Model No.	A		B		C		D		E		F		G		H	
	inch	mm	inch	mm	inch	mm	inch	mm	inch	mm	inch	mm	inch	mm	inch	mm
CBA27UHE-018 CBA27UHE-024	49-1/4	1251	21-1/4	540	20-5/8	524	19-3/4	502	19	483	20	508	24-5/8	625	24-5/8	625
CBA27UHE-030 CBA27UHE-036	51	1295	21-1/4	540	22-5/8	575	19-3/4	502	21	533	20	508	26-3/8	670	24-5/8	625
CBA27UHE-042 CBA27UHE-048	58-1/2	1486	21-1/4	540	24-5/8	625	19-3/4	502	23	584	20	508	27-7/8	708	30-5/8	778
CBA27UHE-060	62-1/2	1588	21-1/4	540	24-5/8	625	19-3/4	502	23	584	20	508	27-7/8	708	34-5/8	879



INSTALLATION CLEARANCES WITH ELECTRIC HEAT

Cabinet	0 inch (0 mm)
To Plenum	1 inch (25 mm)
To Outlet Duct within 3 feet (914 mm)	1 inch (25 mm)
Floor	See Note #1
Service / Maintenance	See Note #2

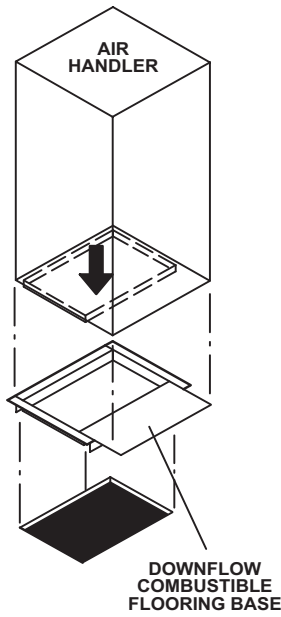
¹ Units installed on combustible floors in the downflow position with electric heat require optional downflow combustible flooring base.

² Front service access - 24 inches (610 mm) minimum.

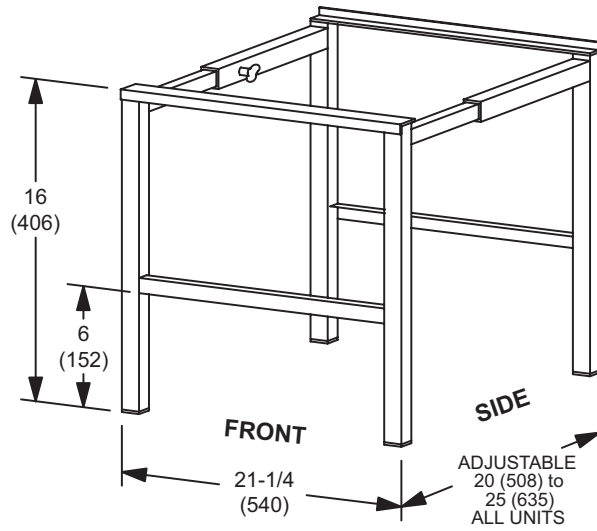
NOTE - If cabinet depth is more than 24 inches (610 mm), allow a minimum of the cabinet depth plus 2 inches (51 mm).

DIMENSIONS - ACCESSORIES

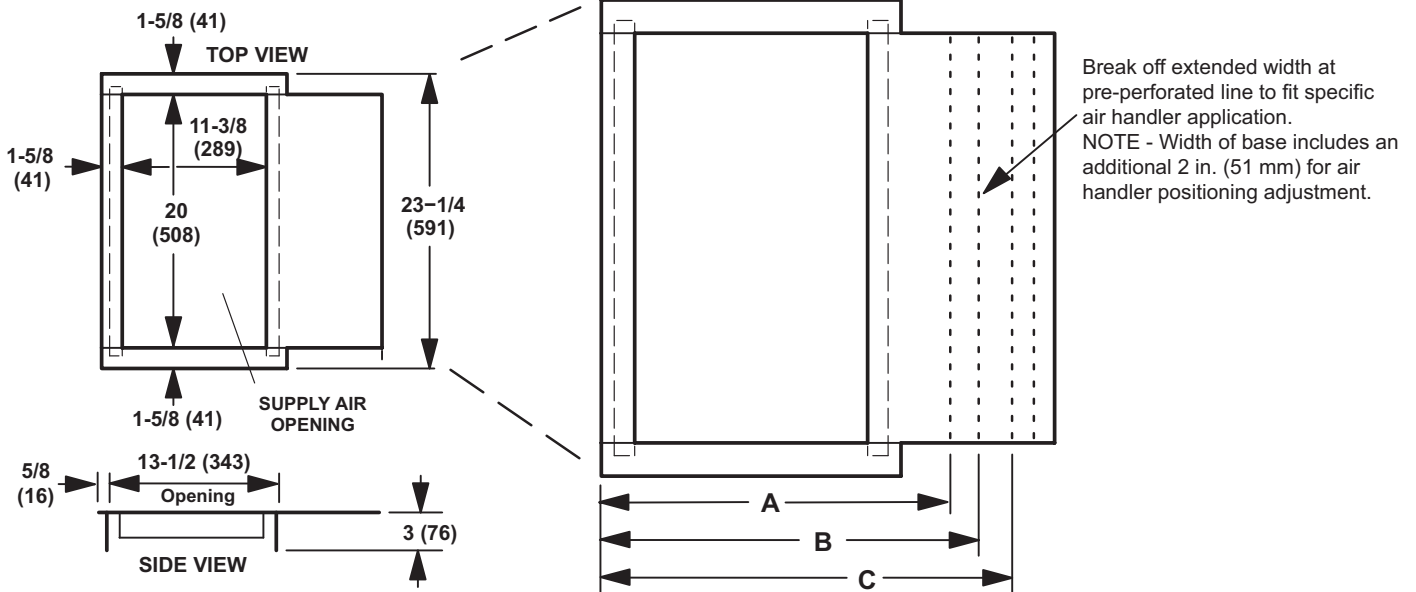
DOWNFLOW COMBUSTIBLE FLOORING BASE



SIDE RETURN UNIT STAND (Upflow Only)



DOWNFLOW COMBUSTIBLE FLOORING BASE DETAIL



Model No.	018, 024		030, 036		042, 048, 060	
	in.	mm	in.	mm	in.	mm
A	22-5/8	575	---	---	---	---
B	---	---	24-5/8	625	---	---
C	---	---	---	---	26-5/8	676

REVISIONS

Sections	Description of Change
Electric Heat Data	Corrected catalog number for ECB29-4BD - Should be 19F09.



Visit us at www.Lennox.com

For the latest technical information, www.LennoxPros.com

Contact us at 1-800-9-LENNOX

NOTE - Due to Lennox' ongoing commitment to quality, Specifications, Ratings and Dimensions subject to change without notice and without incurring liability. Improper installation, adjustment, alteration, service or maintenance can cause property damage or personal injury. Installation and service must be performed by a qualified installer and servicing agency.

©2020 Lennox Industries, Inc.