



# INSTALL INSTRUCTIONS FOR CONSOLIDATED COIL/HAIL GUARD TO SUIT LENNOX CAT # 13T17

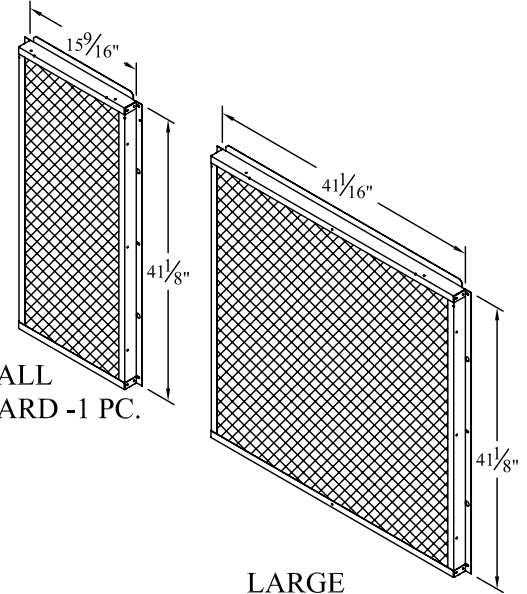
## ⚠ CAUTION

WHEN INSTALLING COIL GUARD BE SURE  
NOT TO PUNCTURE CONDENSER COIL

1. THE 13T17 COIL GUARDS ARE DESIGNED TO PROTECT THE CONDENSOR COIL OF THE HVAC UNIT.

THE FOLLOWING ARE INCLUDED:-  
SHIPPING AND PACKING LIST

- 1- SMALL COIL GUARD
- 2- LARGE COIL GUARD
- 1- HARDWARE BAG W/
  - 1-INSTRUCTIONS
  - 24-#10-1/2" SCREWS



SMALL  
GUARD -1 PC.

LARGE  
GUARD -2 PCS.

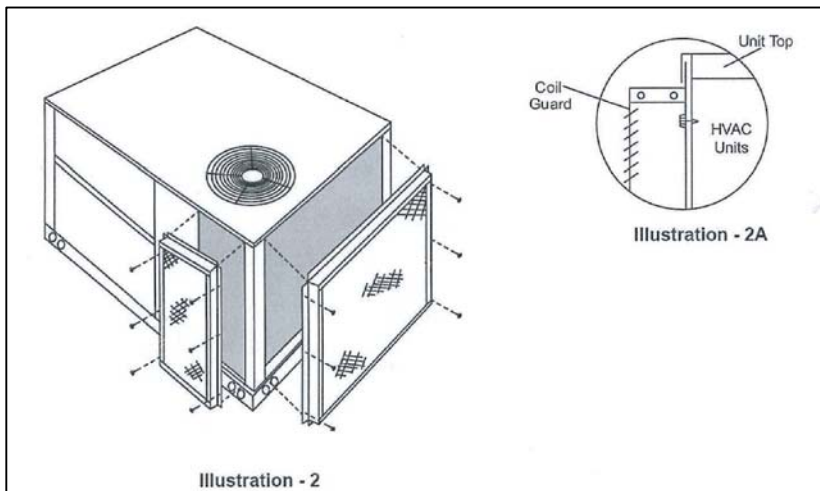


Illustration - 2

Illustration - 2A

## INSTALLATION

1. DISCONNECT ALL POWER SOURCES TO THE UNIT.
2. SLIDE THE TOP FLANGE OF SMALL COIL GUARD UNDERNEATH THE TOP FLANGE OF THE HVAC UNIT. (SEE ILL. 2 AND 2A)
3. SCREW THE SIDE FLANGES OF THE GUARD WITH THE UNIT. TO AVOID COIL DAMAGE, USE ONLY 1/2" SCREWS PROVIDED.

***NOTE:- BE CAREFUL NOT TO DAMAGE THE COIL WHILE INSTALLING THE GUARD.***

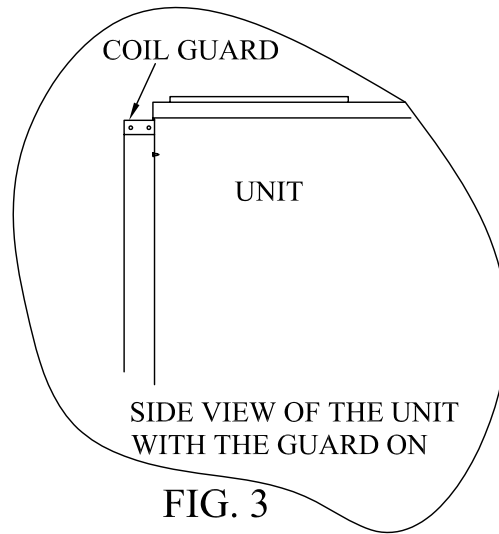
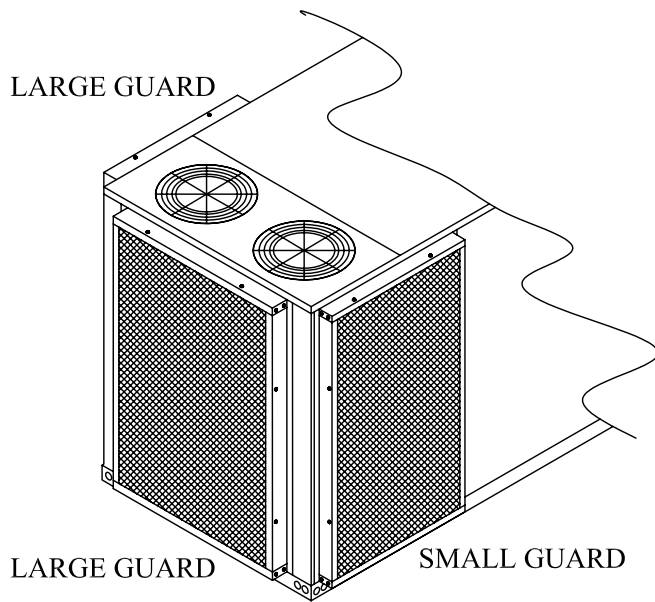
***THE SELF DRILLING SCREWS PROVIDED CAN BE USED ON ALL THE SIDES WITH OR WITHOUT MATCHING HOLES IN THE UNIT.***

5000311 LCCGH028

JUN.,04,2015



INSTALL INSTRUCTIONS FOR  
CONSOLIDATED COIL/HAIL GUARD  
TO SUIT  
LENNOX CAT # 13T17



5. REPEAT THE PROCESS FOR TWO OTHER LARGE GUARDS. TO AVOID COIL DAMAGE, USE ONLY 1/2" SCREWS PROVIDED.