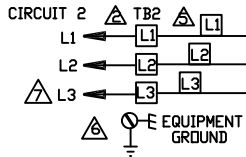
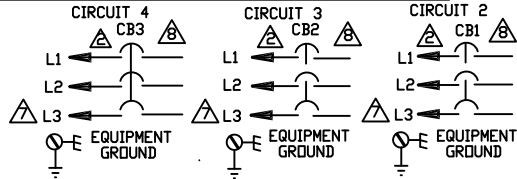


FIELD WIRING FOR UNITS WITHOUT CIRCUIT BREAKERS

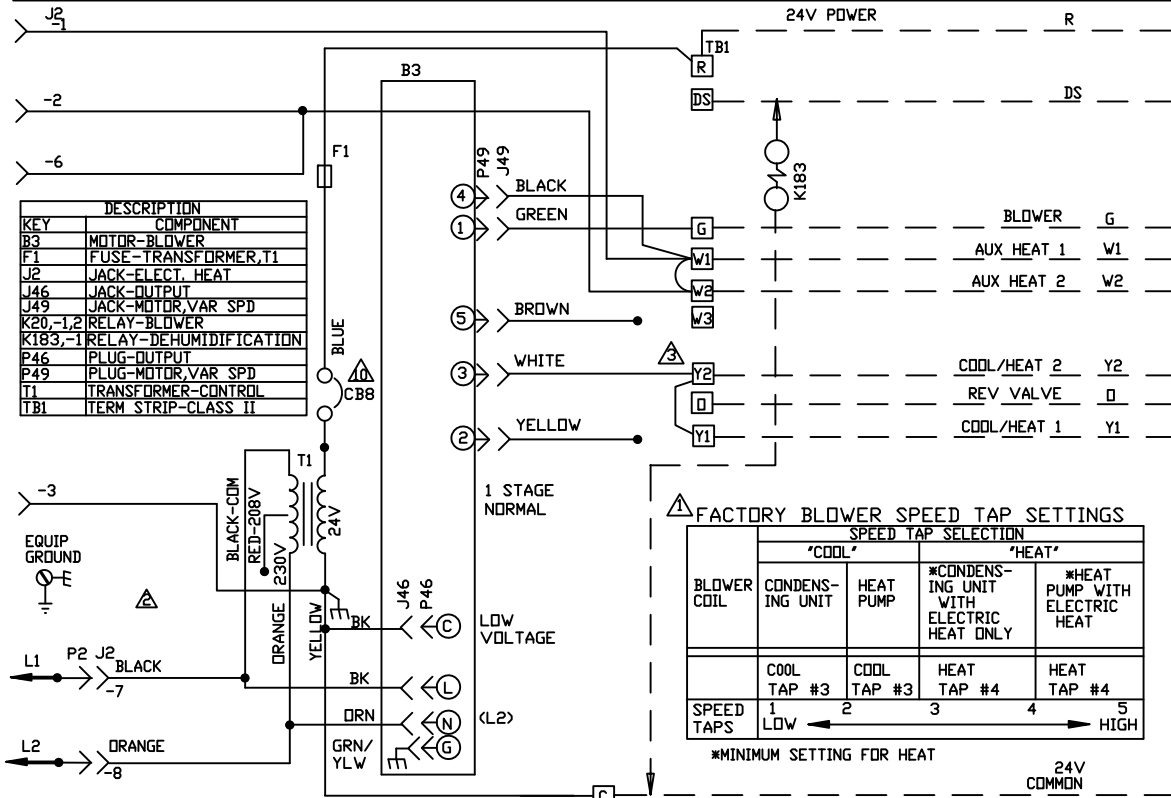


- ⚠ CONNECT POWER WIRES FROM HEATER LABELED L1,L2 ON "P" VOLTAGE UNITS AND L1,L2,L3 ON "Y" VOLTAGE UNITS TO TB2 TERMINAL STRIP IN INDOOR UNIT
- ⚠ EQUIPMENT GROUND LOCATED IN INDOOR UNIT

FIELD WIRING FOR UNITS WITH CIRCUIT BREAKERS



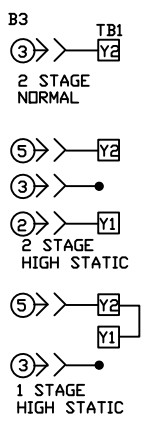
- ⚠ L3 IS NOT PRESENT ON (P) ELECTRIC HEATERS
- ⚠ THE NUMBER OF CIRCUITS VARY ACCORDING TO HEATER MODEL. REFER TO FAN COIL NAMEPLATE FOR ACTUAL NUMBER EMPLOYED



KEY	DESCRIPTION	COMPONENT
B3	MOTOR-BLOWER	
F1	FUSE-TRANSFORMER,T1	
J2	JACK-ELECT. HEAT	
J46	JACK-OUTPUT	
J49	JACK-MOTOR,VAR SPD	
K20,-1,2	RELAY-BLOWER	
K183,-1	RELAY-DEHUMIDIFICATION	
P46	PLUG-OUTPUT	
P49	PLUG-MOTOR,VAR SPD	
T1	TRANSFORMER-CONTROL	
TB1	TERM STRIP-CLASS II	

BLOWER COIL	SPEED TAP SELECTION			
	"COOL"		"HEAT"	
	CONDENSING UNIT	HEAT PUMP	*CONDENSING UNIT WITH ELECTRIC HEAT ONLY	*HEAT PUMP WITH ELECTRIC HEAT
	COOL TAP #3	COOL TAP #3	HEAT TAP #4	HEAT TAP #4
SPEED TAPS	1	2	3	4
	LOW			HIGH

*MINIMUM SETTING FOR HEAT



- ⚠ FOR HIGH STATIC APPLICATION, REFERENCE DEHUMIDIFICATION KIT INSTRUCTIONS
 - ⚠ TRANSFORMER MAY OR MAY NOT HAVE A CIRCUIT BREAKER
 - ⚠ REFER TO FACTORY BLOWER SPEED TAP SELECTION CHART FOR BLOWER SPEED INFORMATION AND UNIT INSTRUCTIONS FOR ADDITIONAL BLOWER SETTINGS
 - ⚠ USE COPPER CONDUCTORS ONLY. REFER TO UNIT NAMEPLATE FOR MINIMUM CIRCUIT AMPACITY AND MAXIMUM OVERCURRENT PROTECTION SIZE
 - ⚠ JUMPER 'Y1' TO 'Y2' IS FOR SINGLE STAGE COOLING. REMOVE JUMPER 'Y1' TO 'Y2' FOR TWO STAGE COOLING.
 - ⚠ FOR STAGING OF ELECTRIC HEAT, REMOVE W1 TO W2 JUMPER
- ← DENOTES OPTIONAL COMPONENTS
 — LINE VOLTAGE FIELD WIRING
 - - - CLASS II VOLTAGE FIELD WIRING

LENNOX COILS-BLOWER COIL UNITS

CB*27UH*018 THRU 060 UNITS

COIL SECTION-1B46

Supersedes

Form No. 538049-01