

**BLOWER SPEED CHART**

UNIT	FACTORY CONNECTED SPEED TAPS					
	COOL	HEAT	FAN	PARK		
045(X)E36A	BLACK	BLUE	RED	BROWN, YELLOW		
070(X)E36B						
090(X)E48B						
090E60C	BROWN	BLUE	RED	BLACK, YELLOW		
110(X)E60C						
135E60D	BLOWER SPEED SELECTION					
SPEED TAPS		BLACK	BROWN	BLUE	YELLOW	RED

**JACK/PLUG CHART**

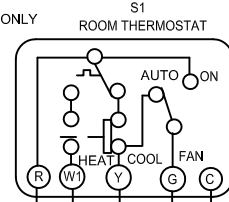
J.P48	JACK/PLUG-INDOOR BLOWER-POWER
J.P49	JACK/PLUG-INDOOR BLOWER-SPD TAP
J.P58	JACK/PLUG-BURNER CONTROL
J.P84	JACK/PLUG-COMB AIR INDUCER
J.P135	JACK/PLUG-SECONDARY LIMIT (S)
J.P156	JACK/PLUG-INDUCER/IGNITER
J.P159	JACK/PLUG-IGNITION

NOTE-  
IF ANY WIRE IN THIS APPLIANCE IS REPLACED, IT MUST BE REPLACED WITH WIRE OF LIKE SIZE, RATING, INSULATION THICKNESS AND TERMINATION.

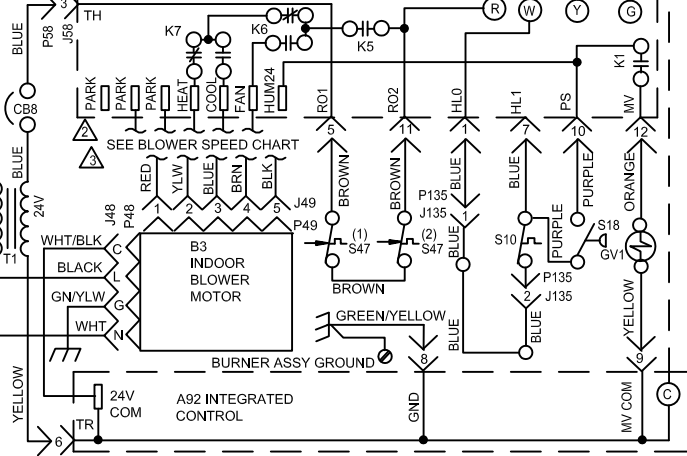
- ⚠ 'R' REQUIRED ON SOME OUTDOOR UNITS
- ⚠ PARK TERMINALS ARE UNPOWERED TERMINALS. ALL UNUSED MOTOR LEADS MUST BE WIRED TO A PARK TERMINAL.
- ⚠ DO NOT USE RED (LOW SPEED) MOTOR LEAD FOR HEATING SPEED ON 045(X)E36A, 070(X)E36B, 110(X)E60C AND 135E60D UNITS. RESULTING TEMPERATURE RISE WILL BE OUTSIDE OF RISE RANGE.
- ⚠ L13 POWER CHOKE USED ON 1/4 AND 1 HP ONLY
- ⚠ USE COPPER CONDUCTORS ONLY.

**THERMOSTAT HEAT ANTICIPATION SETTINGS**

.65 AMP	HONEYWELL VALVE
.50 AMP	WHITE-RODGERS VALVE



**A92 INTEGRATED CONTROL**



**HEATING UNITS-GAS**

ML180UH045E36A	ML180UH090E60C	ML180UH045XE36A
ML180UH070E36B	ML180UH110E60C	ML180UH070XE36B
ML180UH090E48B	ML180UH135E60D	ML180UH090XE48B
		ML180UH110XE60C

Supersedes

WARNING-  
ELECTRIC SHOCK HAZARD, CAN CAUSE INJURY OR DEATH. UNIT MUST BE GROUNDED IN ACCORDANCE WITH NATIONAL AND LOCAL CODES.



**Form No.**  
**537572-01**