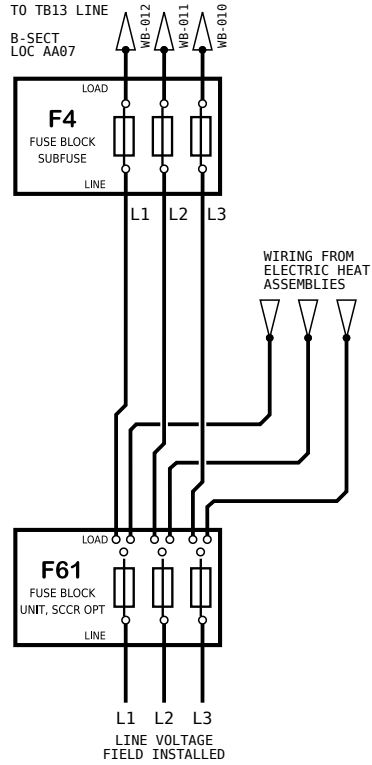


-----POWER ENTRY OPTIONS-----

LCT/LHT UNITS W/ELECTRIC HEAT

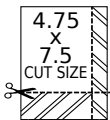


Model: LCT, LHT Series RTU with SCCR  
 Power Entry Options 078 - 150  
 Voltage: All Voltages  
 Supersedes: N/A Form No: **538233-01** Rev: 1



Rev 1

538233-01



REV	EC NO.	DATE	BY	APVD	REVISION NOTE
---	CN-010219	07-25-2022	MCF	RXJ	ORIGINATED AT PD&R CARROLLTON, TX
001	CN-010219K	09-30-2022	RXJ	MCF	A) REMOVED TB2 FROM DRAWING. B) ADDED 078 TO TITLE.