

Job: _____
 Location: _____
 Schedule No.: _____
 System Designation: _____

Engineer: _____
 Architect: _____
 Location: _____
 Date: _____

For: Reference Approval Review Construction

High Efficiency Filter Rack for VHIB

FEATURES

- Compatible with 3rd party filters up to 2" thick
- Connects directly to VHIB-3P indoor units
- Three sizes for use with VHIB012-096

FILTER RACK SPECIFICATIONS

SHIPPING DIMENSIONS (in.)	
VHIB012/024/030/036	30x15x10
VHIB048/054	44x15x9.25
VHIB072/096	46x15x10
SHIPPING WEIGHT (lbs.)	
VHIB012/024/030/036	15
VHIB048/054	20
VHIB072/096	23

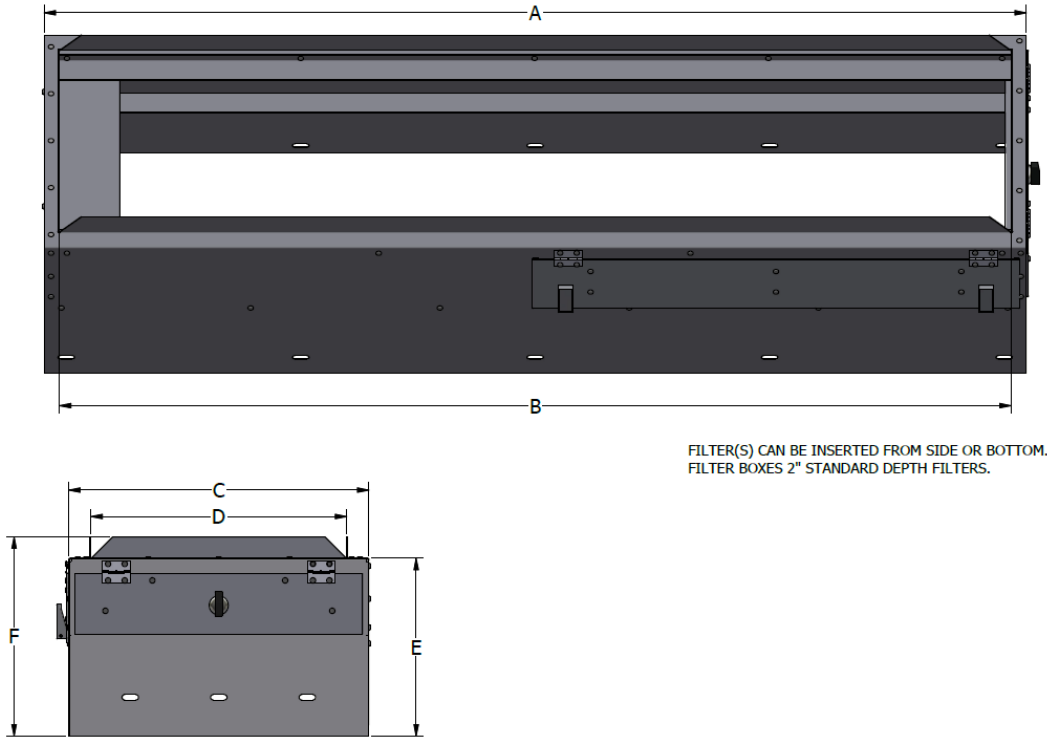
WARRANTY

- 1-year limited warranty.*See warranty for details.

FILTER DIMENSIONS (in.)

VHIB CAPACITY	HEIGHT	WIDTH	DEPTH
VHIB012/024/030/036	12	24	2
VHIB048/054	12	20	2
VHIB072/096	12	20	2

DIMENSIONAL DRAWINGS



DIMENSIONAL DRAWINGS - INCHES (MM)

VMDB CAPACITY	A	B	C	D	E	F	FILTER	FILTER REQUIRED QTY.
VHIB012/024/030/036	28-5/8	27-1/4	13-9/16	11-9/16	8	9	12x24x2	1
VHIB048/054	42-1/2	41-1/8	13-5/8	11	8	9	12x20x2	2
VHIB072/096	44-3/8	43	13-9/16	11-9/16	8	9	12x20x2	2

NOTE – Due to Lennox' ongoing commitment to quality, Specifications, Ratings and Dimensions subject to change without notice and without incurring liability.

Improper installation, adjustment, alteration, service or maintenance can cause property damage or personal injury.

Installation and service must be performed by a qualified installer and servicing agency.

495905 (202308)

©2023 Lennox Industries Inc.