



# SUBMITTAL DATA – WALL-MOUNTED MCB012S4S-1P - MWCB012S4-2P SINGLE ZONE MINI-SPLIT AIR CONDITIONER

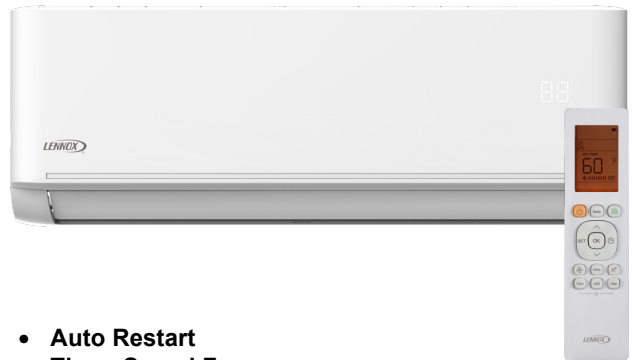
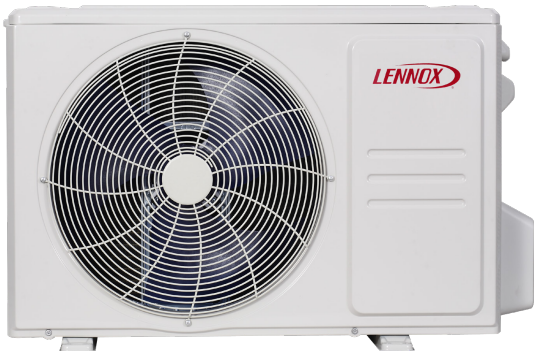
Job: \_\_\_\_\_  
 Location: \_\_\_\_\_  
 Schedule No.: \_\_\_\_\_  
 System Designation: \_\_\_\_\_

Engineer: \_\_\_\_\_  
 Architect: \_\_\_\_\_  
 Date: \_\_\_\_\_  
 For:  Reference  Approval  Review  Construction

## FEATURES

Outdoor Unit: MCB012S4S-1P

Indoor Unit: MWCB012S4-2P



- Cooling Only System
- DC Inverter Control
- Compressor Overcurrent Protection

- Auto Restart
- Three Speed Fan
- Flare Connections
- LED Readout
- Multi-Refrigerant Outlet
- Wireless Remote Included

## PIPING

### Line Set and Elevation Guidelines

Maximum Line Set Length ft. (m)	82 (25)
Maximum Elevation - Outdoor Unit Below/Above Indoor Unit ft. (m)	33 (10)
Liquid Line Set Diameter (in.)	1/4
Gas Line Set Diameter (in.)	1/2
Pre-Charged (ft.)	25
Additional Charge Per Ft. (oz.)	0.16

## PRODUCT WARRANTY

Compressor – Five year limited warranty  
 All other covered components - Five year limited warranty

## OPTIONAL ACCESSORIES

- Non-Programmable Controller (M0STAT61Q-1)
- Non-Programmable Controller (M0STAT120L-1)
- Programmable Controller (M0STAT120N-1)
- Hail Guard Set (M9GARD24Q-1/24S70)



NOTE – Due to Lennox' ongoing commitment to quality, Specifications, Ratings, and Dimensions are subject to change without notice and without incurring liability. Improper installation, adjustment, alteration, service or maintenance can cause property damage or personal injury. Installation and service must be performed by a qualified installer and servicing agency.



# SUBMITTAL DATA – WALL-MOUNTED MCB012S4S-1P - MWCB012S4-2P SINGLE ZONE MINI-SPLIT AIR CONDITIONER

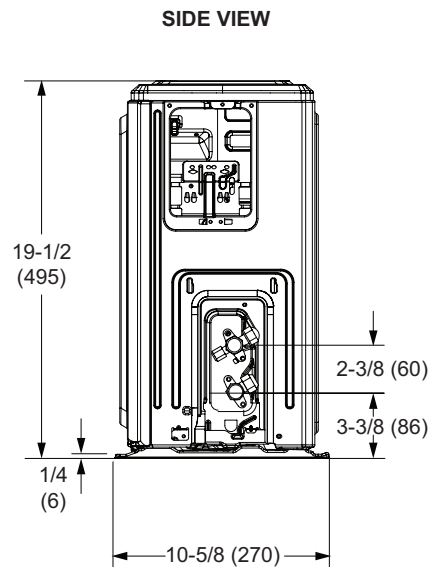
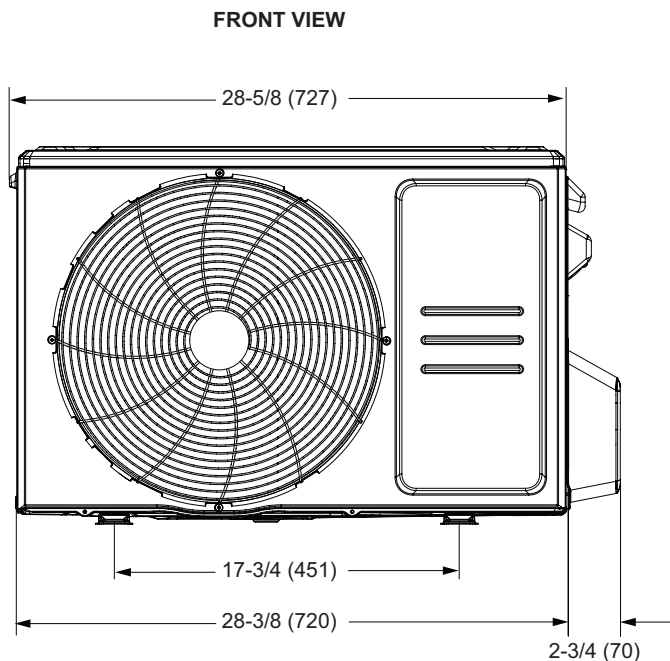
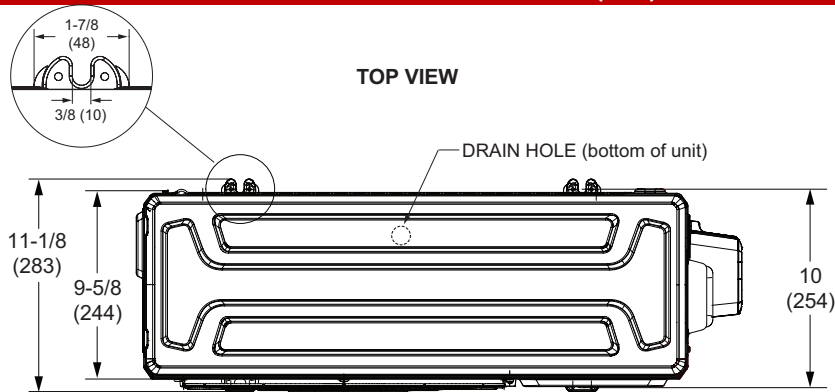
## OUTDOOR SPECIFICATIONS

PERFORMANCE	
Cooling Capacity (Btu/h) <sup>1</sup>	11,500
EER2	11.90
SEER2	21
Outdoor Fan Total Air Volume (CFM)	1,059
Ambient Temperature Operating Range	
Cooling	5°F - 122°F
ELECTRICAL DATA	
Power Supply (V/Hz/Φ)	208-230/60/1
Minimum Circuit Ampacity (A)	11
Maximum Overcurrent Protection (A)	15
Outdoor Fan Motor RLA (A)	0.4
No. of Compressors	1

GENERAL DATA		
Connection Ratio (%)		100%
Max. # of Indoor Units		1 unit
Sound Data (dBA) - Cooling		51.5
Refrigerant type		R-410A
Factory refrigerant charge		1 lbs. 7 oz.
DIMENSIONS		
Unit Dimensions (in)	Height	19-1/2
	Width	31-3/8
	Depth	10
Shipping Weight (lb)		53
Net Weight (lb)		49

**NOTES**  
 1. Cooling and Heating Capacity data is rated at the following conditions:  
 Cooling: 80°FDB / 67°FWB Indoor, 95°FDB Outdoor  
 Heating: 70°FDB Indoor, 47°FDB / 43°FWB Outdoor

## OUTDOOR DIMENSIONAL DRAWINGS - INCHES (MM)



NOTE – Due to Lennox' ongoing commitment to quality, Specifications, Ratings, and Dimensions are subject to change without notice and without incurring liability. Improper installation, adjustment, alteration, service or maintenance can cause property damage or personal injury. Installation and service must be performed by a qualified installer and servicing agency.  
 496046 (202312) ©2023 Lennox Industries, Inc.



**SUBMITTAL DATA – WALL-MOUNTED  
MCB012S4S-1P - MWCB012S4-2P  
SINGLE ZONE MINI-SPLIT AIR CONDITIONER**

**INDOOR SPECIFICATIONS**

**PERFORMANCE**

Airflow (CFM)	High	324
	Medium	232
	Low	194
Sound Pressure (dBA)	High	40
	Medium	35.5
	Low	30.5

**ELECTRICAL DATA**

Power Supply (V/Hz/Φ)	Supplied by ODU
Rated load amps (RLA)	4.2
Power Output (W)	13

**DIMENSIONS**

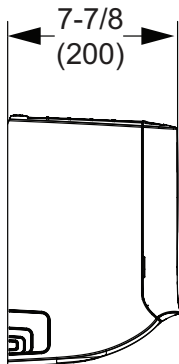
Unit Dimensions (in)	Height	11-5/8
	Width	31-3/4
	Depth	7-7/8
Unit Net/Shipping Weight (lb)		19/25

**PIPING**

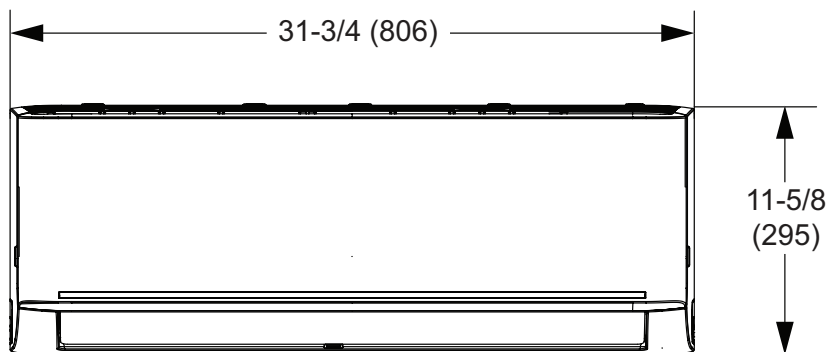
Liquid/Gas O.D. Flare (in.)	1/4 , 1/2
Drain Connection O.D. (in.)	1

**INDOOR DIMENSIONAL DRAWINGS - INCHES (MM)**

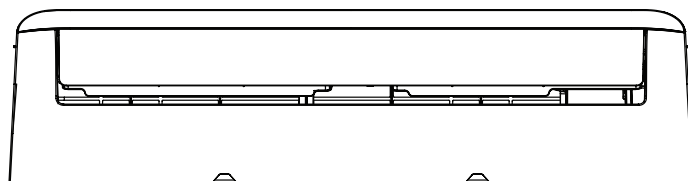
MWCB012



**SIDE VIEW**



**FRONT VIEW**



**BOTTOM VIEW**

NOTE – Due to Lennox' ongoing commitment to quality, Specifications, Ratings, and Dimensions are subject to change without notice and without incurring liability. Improper installation, adjustment, alteration, service or maintenance can cause property damage or personal injury. Installation and service must be performed by a qualified installer and servicing agency.