

Job: _____
 Location: _____
 Schedule No.: _____
 System Designation: _____

Engineer: _____
 Architect: _____
 Location: _____
 Date: _____

For: Reference Approval Review Construction

High Efficiency Filter Rack for VHIB

FEATURES

- Compatible with 3rd party filters up to 4" thick
- Connects directly to VHIB-3P indoor units
- Three sizes for use with VHIB012-096

FILTER RACK SPECIFICATIONS

SHIPPING DIMENSIONS (in.)	
VHIB012/024/030/036	30x15x12
VHIB048/054	44x15x11.25
VHIB072/096	46x15x12
SHIPPING WEIGHT (lbs.)	
VHIB012/024/030/036	20
VHIB048/054	26
VHIB072/096	27

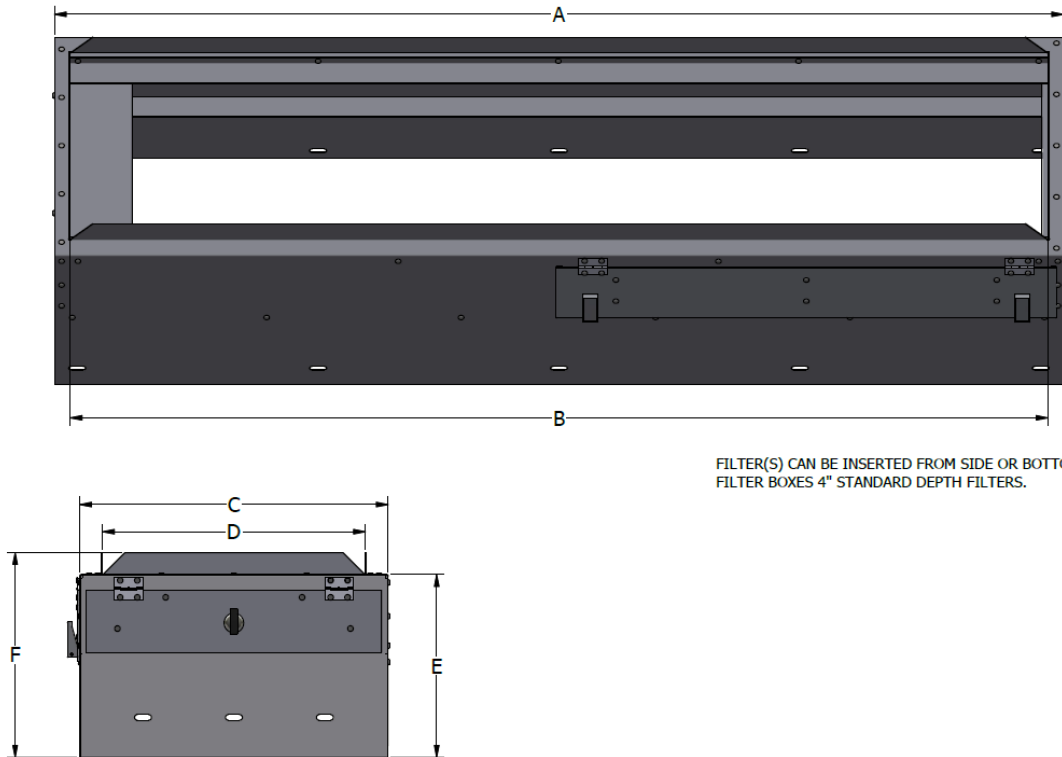
WARRANTY

- 1-year limited warranty.*See warranty for details.

FILTER DIMENSIONS (in.)

VHIB CAPACITY	HEIGHT	WIDTH	DEPTH
VHIB012/024/030/036	12	24	4
VHIB048/054	12	20	4
VHIB072/096	12	20	4

DIMENSIONAL DRAWINGS



FILTER(S) CAN BE INSERTED FROM SIDE OR BOTTOM.
 FILTER BOXES 4" STANDARD DEPTH FILTERS.

DIMENSIONAL DRAWINGS - INCHES (MM)

VHIB CAPACITY	A	B	C	D	E	F	FILTER	FILTER REQUIRED QTY.
VHIB012/024/030/036	28-5/8	27-1/4	13-9/16	11-9/16	10	11	12x24x4	1
VHIB048/054	42-1/2	41-1/8	13-5/8	11	10	11	12x20x4	2
VHIB072/096	44-3/8	43	13-9/16	11-9/16	10	11	12x20x4	2