

# PACKAGED UNITS KITS AND ACCESSORIES

507798-02  
6/2018  
507798-01

## FLAME ROLL-OUT KIT

### INSTALLATION INSTRUCTIONS FOR FLAME ROLL-OUT KIT USED WITH STANDARD GAS HEAT UNITS

#### Shipping and Packing List

Package 1 of 1 contains

- 1- Burner cap

#### Application

This kit allows a second roll-out switch location to prevent nuisance tripping. Used on LG/ZG 036-074, KG 036-090, & SG 036-060 three-burner, standard gas heat units.

#### Installation

- 1- Replace burner cap as shown in figure 1.

### ⚠ WARNING

Improper installation, adjustment, alteration, service or maintenance can cause property damage, personal injury or loss of life. Installation and service must be performed by a licensed professional HVAC installer or equivalent, service agency, or the gas supplier

### ⚠ CAUTION

As with any mechanical equipment, contact with sharp sheet metal edges can result in personal injury. Take care while handling this equipment and wear gloves and protective clothing.

NOTE - SECURE LIMIT SWITCH WIRES  
WHEN INSTALLED ON NEW BURNER CAP

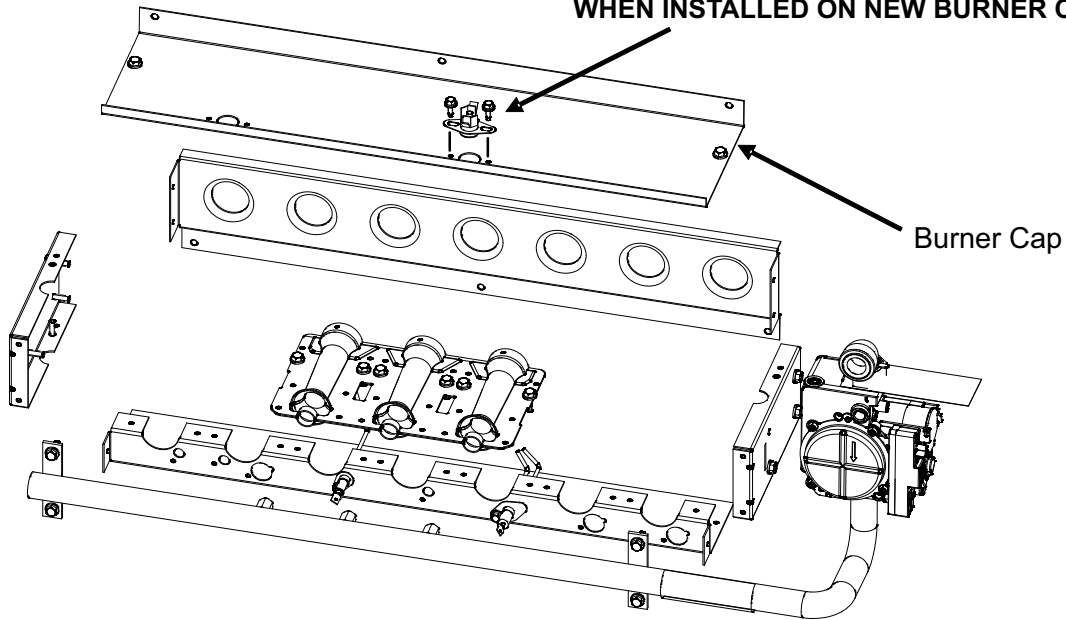


FIGURE 1