

# QUICK REFERENCE GUIDE



## 3- to 25-ton packaged gas/electric and electric/electric ultra-high efficiency rooftop units

### 3- TO 25-TON PACKAGED ROOFTOP PERFORMANCE DATA (GAS OR ELECTRIC HEAT) - ULTRA-HIGH EFFICIENCY

Size (Tons) / Cabinet	3 Ton / A	4 Ton / A	5 Ton / A	6 Ton / A	7.5 Ton / B	8.5 Ton / B	10 Ton / B	12.5 Ton / B	13 Ton / C	15 Ton / C	17.5 Ton / C	20 Ton / C	25 Ton / C	
Efficiency	Ultra-High													
Model Number	LCM/LGM036U4E LCM/LGM036U4P	LCM/LGM048U4E LCM/LGM048U4P	LCM/LGM060U4E LCM/LGM060U4P	LCM/LGM074U4E LCM/LGM074U4P	LCM/LGM092U4E LCM/LGM092U4P	LCM/LGM102U4E LCM/LGM102U4P	LCM/LGM120U4E LCM/LGM120U4P	LCM/LGM150U4E LCM/LGM150U4P	LCM/LGM156U4M LCM/LGM156U4V	LCM/LGM180U4M LCM/LGM180U4V	LCM/LGM210U4M LCM/LGM210U4V	LCM/LGM240U4M LCM/LGM240U4V	LCM/LGM300U4M LCM/LGM300U4V	
Blower Type	SZVAV/VAV													
Net Cooling Capacity (Btuh)	34,000	46,000	57,000	69,000	86,000	97,000	114,000	138,000	150,000	172,000	200,000	228,000	270,000	
Compressor Qty and Type	1 Variable-speed				1 Variable-speed, 1 fixed-speed				1 Variable-speed, 2 fixed-speed			1 Variable-speed, 3 fixed-speed		
Nominal Supply Air (cfm)	1,200	1,550	1,800	2,150	2,800	3,400	3,600	4,400	4,250	5,250	5,400	6,000	7,400	
EER	15.0 (208/230V-3) 14.5 (460V-3)	14.0 (208/230V-3) 13.7 (460V-3)	13.0 (208/230V-3) 12.5 (460V-3)	12.0	12.6 (E/E) 12.4 (G/E)	12.6 (E/E) 12.4 (G/E)	12.2 (E/E) 12.0 (G/E)	11.0	12.2 (E/E) 12.0 (G/E)	12.0	12.2 (E/E) 12.0 (G/E)	12.0	10.6	
SEER (036-060)	22.5 (208/230V-3)	21.0 (208/230V-3)	20.0 (208/230V-3)	23.3	22.0	21.0	21.0	20.0	19.0 (SZVAV)	19.0 (SZVAV)	18.8 (SZVAV)	18.4 (SZVAV)	17.5 (SZVAV)	
IEER (074-300)	22.0 (460V-3)	20.2 (460V-3)	19.5 (460V-3)						18.5 (VAV)	17.5 (VAV)	18.0 (VAV)	17.5 (VAV)	16.5 (VAV)	
Gas Heat Sizes (Up to stages)	2	2	2	2	2	2	2	2	4	4	4	4	4	
Electric Heat Sizes (kW)	7.5, 15		7.5,15,22.5		7.5, 15, 22.5, 30, 45			15, 22.5, 30, 45, 60		15, 30, 45, 60			15, 30, 45, 60, 90	
Blower Motor Size (HP)	1.5				3.75				2,3,5	3,5,7,5	3,5,7,5	5,7,5,10	5,7,5,10	
Weight - Shipping (lbs.) G/E	772	796	816	816	1253	1260	1295	1298	2440	2450	2570	2720	2770	
Weight - Shipping (lbs.) E/E	736	764	790	790	1205	1212	1247	1250	2290	2300	2420	2570	2620	
Cabinet Size - H x W x L (in.)	47 x 47 x 86				47 x 61 x 102				55 x 92 x 133					
Filters (Qty) - Size (in.)	(4) 20 x 20 x 2				(4) 20 x 25 x 2				(6) 24 x 24 x 2					
Sound (dBA)	73	76	78	80	88	88	88	90	86	86	90	90	90	

BASE UNIT MCA & MOCP ELECTRICAL				
MODEL NUMBER	VOLTAGE	HP	MCA	MOCP
LCM/LGM036U	208/230V-3Ph	1.5	20	25
	460V-3ph	1.5	11	15
LCM/LGM048U	208/230V-3Ph	1.5	26	35
	460V-3ph	1.5	13	15
LCM/LGM060U	208/230V-3Ph	1.5	27	40
	460V-3ph	1.5	14	20
LCM/LGM074U	208/230V-3Ph	1.5	30	45
	460V-3ph	1.5	15	20
LCM/LGM092U	208/230V-3Ph	3.75	41	50
	460V-3ph	3.75	19	20
LCM/LGM102U	208/230V-3Ph	3.75	44	50
	460V-3ph	3.75	21	25
LCM/LGM120U	208/230V-3Ph	3.75	48	60
	460V-3ph	3.75	24	30
LCM/LGM150U	208/230V-3Ph	3.75	56	70
	460V-3ph	3.75	26	30

BASE UNIT MCA & MOCP ELECTRICAL				
MODEL NUMBER	VOLTAGE	HP	MCA	MOCP
LCM/LGM156U	208/230V-3Ph	2	65	70
	208/230V-3Ph	3	68	80
	208/230V-3Ph	5	75	90
	460V-3ph	2	30	35
	460V-3ph	3	31	35
	460V-3ph	5	34	40
LCM/LGM180U	208/230V-3Ph	3	74	80
	208/230V-3Ph	5	80	90
	208/230V-3Ph	7.5	90	110
	460V-3ph	3	35	40
	460V-3ph	5	38	45
	460V-3ph	7.5	42	50
LCM/LGM210U	208/230V-3Ph	3	88	100
	208/230V-3Ph	5	95	110
	208/230V-3Ph	7.5	104	125

BASE UNIT MCA & MOCP ELECTRICAL				
MODEL NUMBER	VOLTAGE	HP	MCA	MOCP
LCM/LGM210U	460V-3ph	3	40	45
	460V-3ph	5	43	50
	460V-3ph	7.5	47	50
LCM/LGM240U	208/230V-3Ph	5	95	110
	208/230V-3Ph	7.5	104	125
	208/230V-3Ph	10	112	125
	460V-3ph	5	45	50
	460V-3ph	7.5	49	50
	460V-3ph	10	53	60
LCM/LGM300U	208/230V-3Ph	5	121	125
	208/230V-3Ph	7.5	129	150
	208/230V-3Ph	10	137	150
	460V-3ph	5	57	60
	460V-3ph	7.5	61	70
	460V-3ph	10	65	70



# QUICK REFERENCE GUIDE



## 3- to 25-ton packaged gas/electric and electric/electric ultra-high efficiency rooftop units

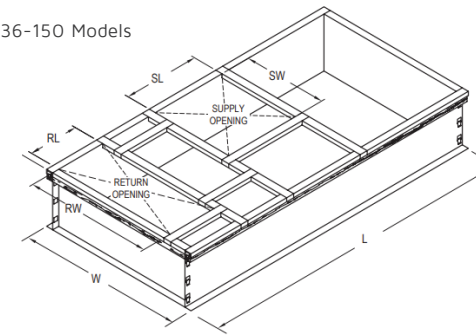
### FACTORY- AND FIELD-INSTALLED OPTIONS

OPTION	FACTORY	FIELD	OPTION	FACTORY	FIELD
<b>COOLING</b>			<b>INDOOR AIR QUALITY</b>		
Condensate Drain Trap (PVC and Copper)	•	•	MERV 8 Filters	•	•
Drain Pan Overflow Switch	•	•	MERV 13 Filters	•	•
Refrigerant Type (R-410A)	•		MERV 16 Filters	•	•
Service Valves*	•		Replacement Media Filter With Metal Mesh		•
<b>BLOWER</b>			Demand Control Ventilation - IAQ (CO <sub>2</sub> ) Sensors		•
DirectPlus Direct Drive ECM Blower with SZVAV	•		Needlepoint Bipolar Ionization (NPBI) Kit	•	•
DirectPlus Direct Drive ECM Blower with VAV	•		UVC Germicidal Light Kit	•	•
SZVAV - With/Without VFD Bypass Control **	•		<b>ELECTRICAL</b>		
VAV - Without VFD Bypass Control **	•		Voltage 60 Hz	•	
Supply Fan Drive Kits **	•		HACR Circuit Breakers	•	
<b>HEATING</b>			Disconnect Switch	•	•
Bottom Gas Piping Kit	•	•	SCCR up to 100kA	•	
Combustion Air Intake Extensions		•	GFI Service Outlets	•	•
Gas Heating	•		Weatherproof Cover For GFI		•
Low-Temperature Vestibule Heater	•	•	Electric Heat	•	•
LPG/Propane Conversion Kits		•	<b>OUTDOOR AIR</b>		
Stainless Steel Heat Exchanger	•		High Performance Economizer - (AMCA Class 1A Certified)	•	•
Vertical Vent Extension		•	Economizer Controls - Single and/or Differential Enthalpy	•	•
<b>DEHUMIDIFICATION</b>			Economizer Controls - Sensible	•	•
Humiditrol™+ Hot-Gas Reheat Dehumidification System	•		Downflow Barometric Relief Dampers	•	•
Enhanced Dehumidification	Standard		Horizontal Barometric Relief Dampers		•
<b>CONTROLS</b>			Manual Outdoor Air Dampers	•	•
Lennox® CORE Control System	Standard		Motorized Outdoor Air Dampers	•	•
BACnet® IP & MS/TP	Standard		Power Exhaust Fan Standard Static	•	•
Commercial Controls - Novar LSE	•		<b>ROOF CURBS/CEILING DIFFUSERS</b>		
Commercial Controls - L Connection BAS		•	Roof Curbs - Hybrid		•
Blowing Proving Switch	•	•	Roof Curbs - Standard, Adjustable		•
Dirty Filter Switch	•	•	Insulation Kit - Standard		•
Fresh Air Tempering	•	•	Transition Curb		•
Smoke Detector Supply and/or Return	•	•	Ceiling Diffusers		•
Interoperability via BACnet® or LonTalk® Protocols	•	•	<b>CABINET</b>		
After-Market DDC and/or Thermostats		•	Combination Coil/Hail Guards		•
Outdoor Air CFM Control		•	Corrosion Protection (indoor coil/outdoor coil)	•	

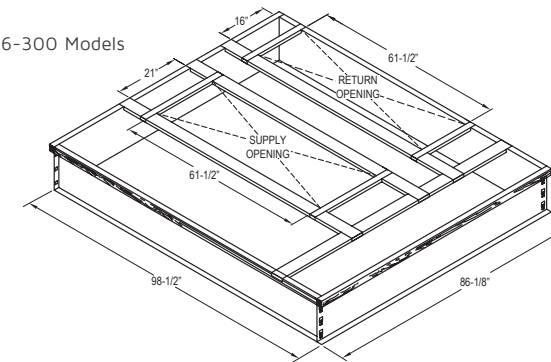
Tonnage	LENGTH	WIDTH	SUPPLY AIR		RETURN AIR	
	L	W	SL	SW	RL	RW
036 TO 074 (A)	79-3/4	41-1/2	19-1/8	21-1/8	12-5/8	32
092 TO 150 (B)	95-3/8	54-1/4	29-3/4	21-3/4	26-3/4	29-3/4
156 TO 300 (C)	86-1/8	98-1/2	21	61-1/2	16	61-1/2

\*Not available on units with Humiditrol™+  
\*\*Applies to 13- to 25-ton models only.

For 036-150 Models



For 156-300 Models



Note - Due to Lennox' ongoing commitment to quality, all specifications, ratings and dimensions are subject to change without notice.

Visit us at [www.lennox.com](http://www.lennox.com)  
For the latest technical information, [www.lennoxcommercial.com](http://www.lennoxcommercial.com)  
Contact us at 1-800-4-LENNOX

©2021 Lennox Industries, Inc.

(22J48) 4/21

