



# ENERGENCE KITS AND ACCESSORIES

P11A-49LDW

July 12, 2010  
Supersedes 02-12-10

## 50P1149xH ENERGY RECOVERY SYSTEM

### INSTALLATION INSTRUCTIONS FOR ENERGY RECOVERY SYSTEMS (ERS) USED WITH ENERGENCE 036-060 SERIES UNITS



Patent# 5,548,970

**ETL Certified**  
per UL 1995  
and CSA 22.2

humidity is acceptable. During economizer operation, the ERS exhaust blower continues to run, providing power exhaust for the system. The intake blower is de-energized during economizer operation.

#### SHIPPING AND PACKING LIST

Package 1 of 1 contains: **See Illustration 1 and 2.**

- 1 - Energy Recovery System Assembly
- 1 - Outdoor Fresh Air Hood with Filter
- 1 - Outdoor Exhaust Air Hood with Barometric Damper
- 1 - ERS Support Rail
- 1 - Adaptor Panel
- 1 - Hardware Bag:
  - 20' - Gasket  $\frac{3}{4}$ " x  $1\frac{1}{4}$ "
  - 7' - Gasket  $\frac{1}{8}$ " x  $\frac{1}{2}$ "
  - 1 - Enthalpy Harness
  - 1 - Field Harness
  - 4 - Wire Ties
  - 12 - Self-Tapping Screws 10-16 x  $\frac{1}{2}$ "
  - 8 - Gold Screws 10-16 x  $\frac{1}{2}$ "
  - 1 - Installation Instruction

#### PRINCIPLE OF OPERATION

The ERS enthalpy wheel contains parallel layers of a polymeric material that are impregnated with silica gel (desiccant). The wheel is located in the entering (intake) air and exhaust air streams of the ventilation equipment. As the wheel rotates through each air stream, the wheel surface adsorbs sensible and latent energy. In the heating mode, the wheel rotates to provide a constant transfer of heat from the exhaust air stream to the colder intake air stream. During the cooling season, the process is reversed. When the temperatures are mild the wheel pivots out of the air stream to allow economizer to operate normally for "free cooling" when outdoor temperature and

### **! WARNING**

**Improper installation, adjustment, alteration, service or maintenance can cause property damage, personal injury or loss of life. Installation and service must be performed by a qualified installer or service agency.**

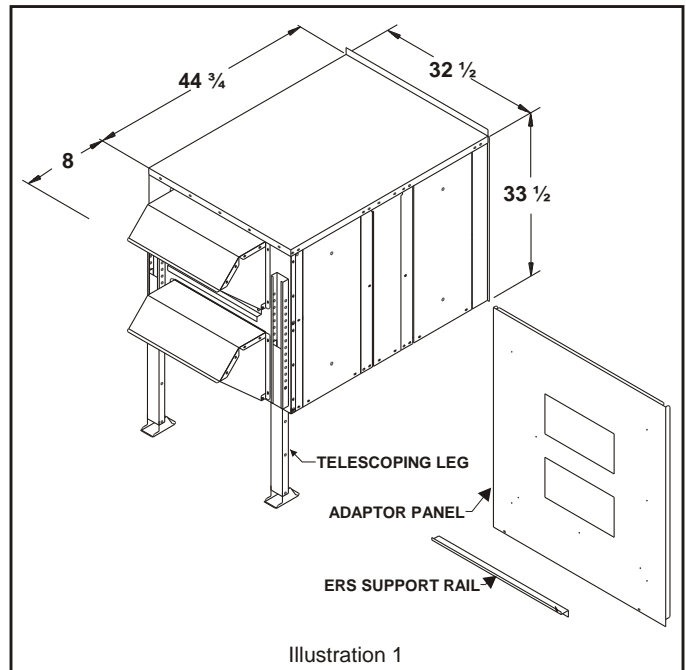


Illustration 1

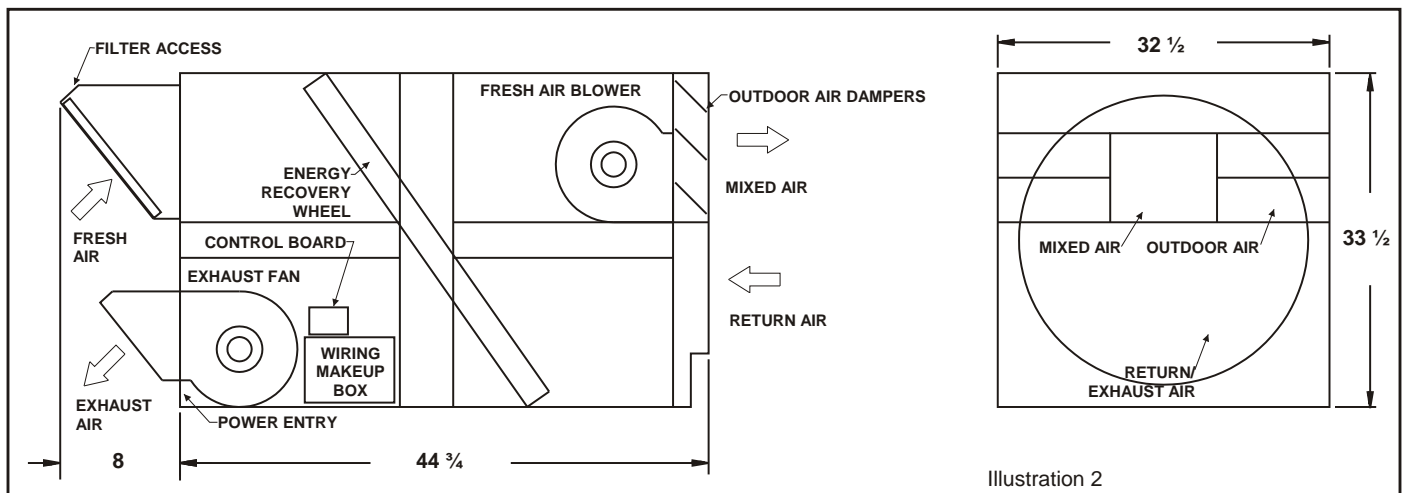


Illustration 2

## CAUTION



Electric shock hazard. Can cause injury or death. Before attempting to perform any service or maintenance, turn the electrical power to unit OFF at disconnect switch(es). Unit may have multiple power supplies.

### GENERAL

These instructions are intended as a general guide and do not supersede local codes in any way. Authorities having jurisdiction should be consulted before installation.

### REQUIREMENTS

When installed, the unit must be electrically wired and grounded in accordance with local codes or, in the absence of local codes, with the current National Electric Code, ANSI/NFPA No. 70.

### SHIPPING DAMAGE

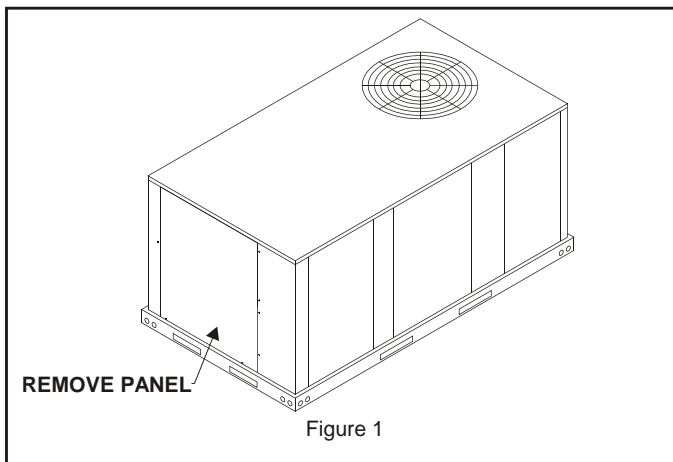
Check unit for shipping damage. Receiving party should contact last carrier immediately if shipping damage is found.

### RIGGING UNIT FOR LIFTING

1. Maximum weight of unit is — 300 Lbs (crated).
2. Remove crating and retrieve hardware bag that is inside of ERS.
3. All ERS door panels must be in place for rigging.
4. Use straps to lift unit.

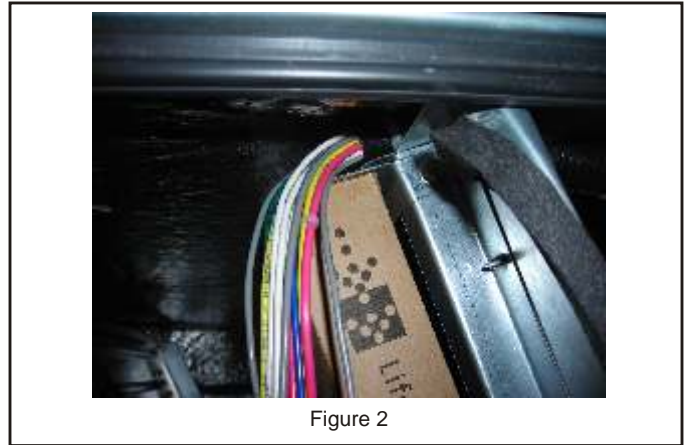
### ROOFTOP UNIT PREPARATION

1. Disconnect all power to rooftop unit.
2. Open filter access door. If installing pivoting wheel verify and/or install an internal modulating economizer.
3. Remove the rooftop unit horizontal return air access panels. Also remove any hoods and/or power exhaust equipment. Discard hoods, power exhaust equipment, and horizontal return air panels. **See Figure 1.**

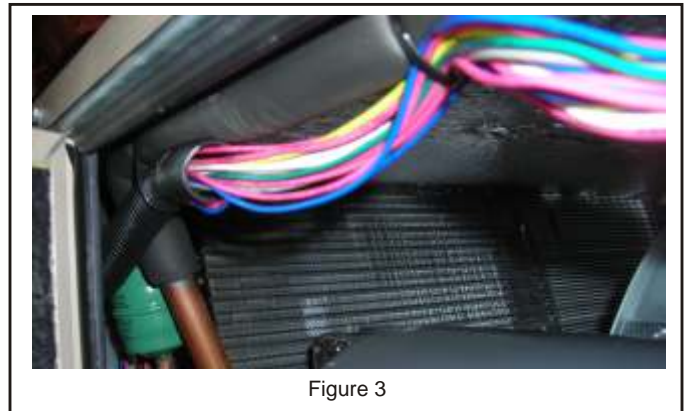


4. If a factory install ERS Harness (J298/P153) is installed go to **Step 5**, otherwise use the provided harness from the hardware bag within the ERS and complete the following steps.

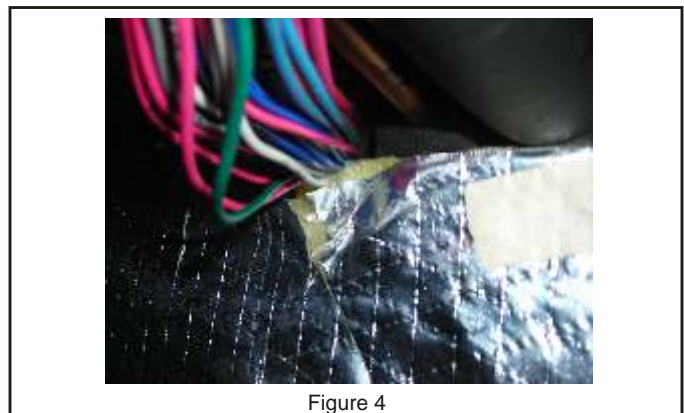
- A. Locate the field harness from the hardware bag shipped inside the ERS.
- B. With door panels open on the economizer and control side of RTU, route the wire harness bare ends (3 wires Green, Pink and Black) from economizer section along the RTU wire at the top of unit and through panel above the filter rack. **See Figure 2.**



- C. Follow wires all the way through blower section. **See Figure 3.**



- D. Continue to follow wires along the top and through divider panel into the control center. **See Figure 4.**



- E. Route wire through the control section down to the IMC2 Control board. Strip the wire ends 3/8" if they have not been pre-done. Place the Green wire under screw terminal at J298-8 (Purple connector). Do the same routine for Pink at J298-10 and Black to J298-9. **See Figure 5.**

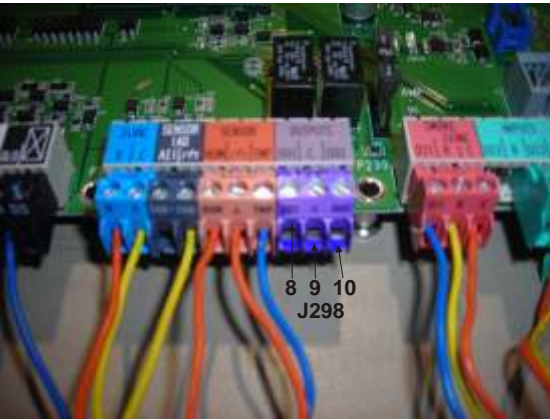


Figure 5

5. The economizer may use an A7 enthalpy sensor located on the division panel between the economizer outdoor air and return air dampers. If present, the sensor must be moved to the intake section of the ERS. Disconnect PI04 from J104. Then push J104 out of sheet metal panel. **See Figure 6.**

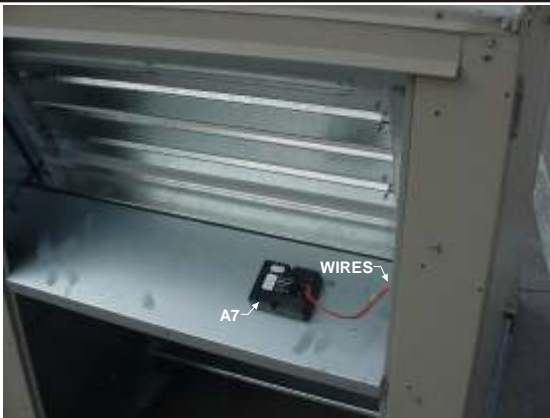


Figure 6

6. Disconnect plug P4 from connector J4.
7. Plug purple and blue wires from ERS field harness into logic module at SO+ (purple) and SO (blue).
8. Using wire ties neatly route the wires to clear any moving parts.
9. Connect the two circuit plug from field harness into J104. Then route the 6-pin connector P153 and wiring harness under the economizer and out the return air. Coil excess wire and route into the return air of the rooftop unit. **See Figure 7.**



Figure 7

### INSTALL ENERGY RECOVERY SYSTEM

1. Apply 3/4" x 1 1/4" gasket to top and bottom decks of ERS as shown in the figure. **See Figure 8.**

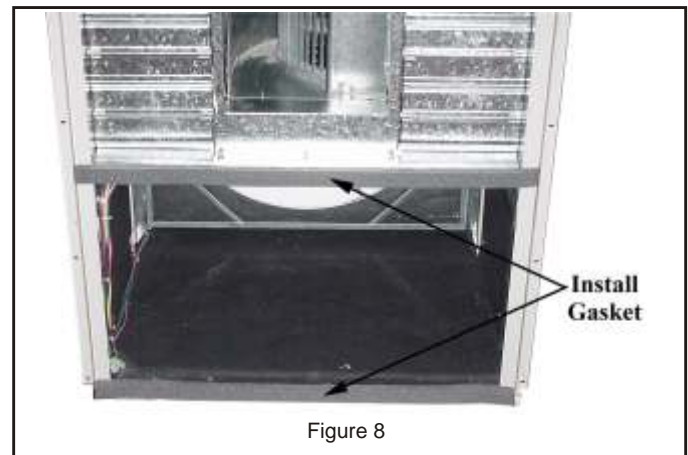


Figure 8

2. Install new adaptor panel over economizer and secure. **See Figure 9.**
3. Locate ERS support rail and install on the bottom of the return air opening of adaptor panel with flange pointing upward. **See Figure 9.**

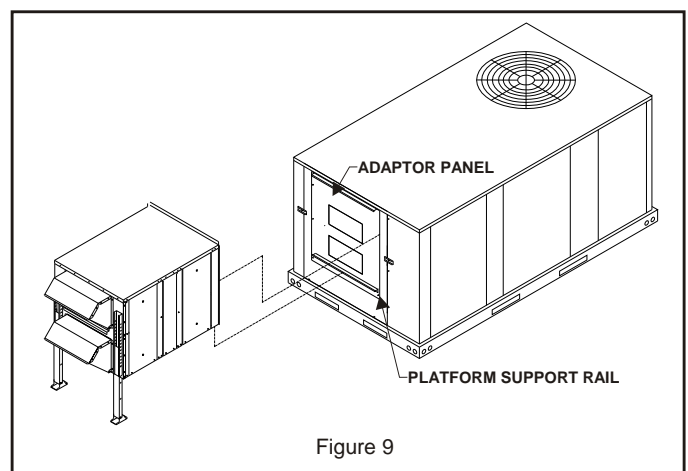


Figure 9

4. Remove all screws holding the top panel of rooftop unit around the horizontal exhaust air opening. Ensure that the top panel will move upward at least 2".



- Lift ERS at least three feet (3'). Remove four screws holding telescoping leg to guide and pull out leg. Reinsert the leg from the bottom with the flat foot under the unit and reinsert one of the screws to hold leg into place. The leg will need to be adjusted later when unit is in position.
- Position ERS in front of horizontal exhaust air opening. Line up the ERS to the rooftop unit. Ensure that there are not any screws on the rooftop unit that will interfere with the mounting flanges of the ERS and if so remove them.

**Note: Equipment support kit or equivalent should be used under feet of standoff legs to prevent roof penetration. See Figure 11.**

- Lower ERS onto ERS support rail catching the front edge of ERS bottom onto the 1/2" flange. Lift rear of ERS to rotate face against rooftop unit and secure with the existing rooftop unit screws and the providing 10-16 x 1/2" self-tapping screws. Tuck turned up flange on ERS top under top flange of rooftop unit. Secure into place. **See Figure 10.**

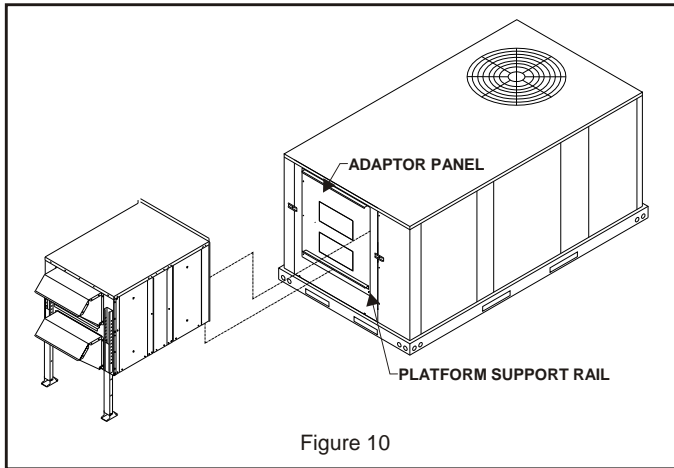


Figure 10

- Remove the screws placed in the telescoping legs and adjust the legs on the ERS until it is level. Replace all four screws in each leg to secure the ERS in the leveled position. **See Figure 11.**



Figure 11

- Check and seal, if necessary, along the edges where the ERS meets the rooftop unit to ensure there is no air leakage. Final assembly should resemble **Figure 12.**

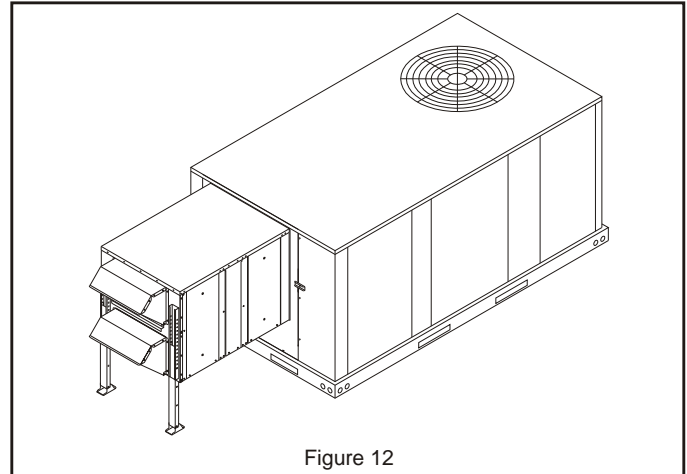


Figure 12

- Remove the right front (rooftop unit side) access panel and locate the field wiring harness that was previously routed into the return air of the rooftop unit. Plug the field wiring harness into the connector located at the bottom of the access door inside the ERS. **See Figure 13.**

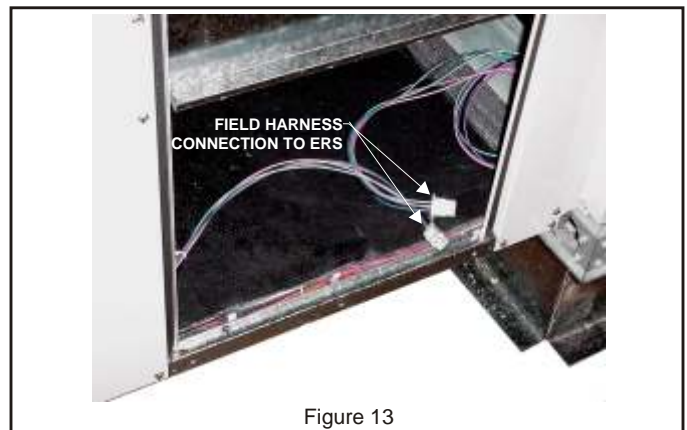


Figure 13

- Locate the A7 enthalpy control sensor (if removed earlier from the rooftop unit.)

- Installations using an A7 enthalpy sensor - Remove the screws to the filter access panel of the fresh air hood on the ERS and remove the air filter. Reinstall the A7 enthalpy control sensor with retained screws removed on the bottom panel of the fresh air intake hood. **See Figure 14.**

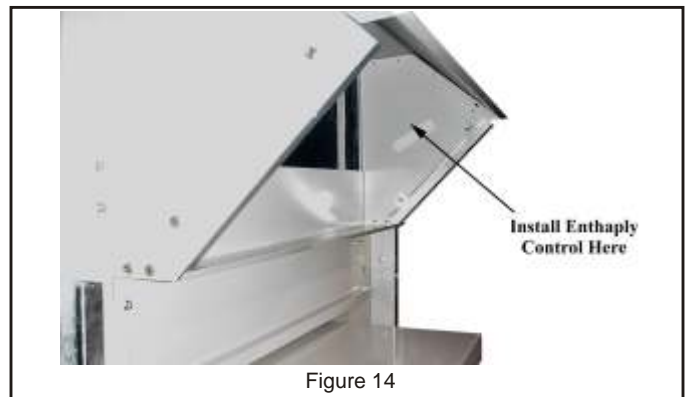


Figure 14

13. If the A7 enthalpy sensor was retained, locate the blue and purple wire harness on the top deck. Remove the intake air access panel and route blue and purple harness to the A7 enthalpy sensor harness and connect P104 (provided) to J193. Secure excess wiring. See Figure 15 and Figure 16 for field wiring diagram.

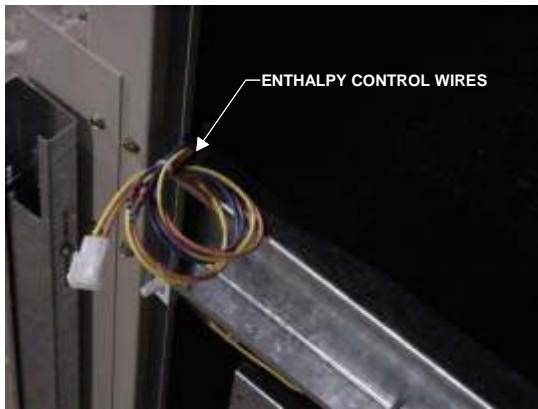
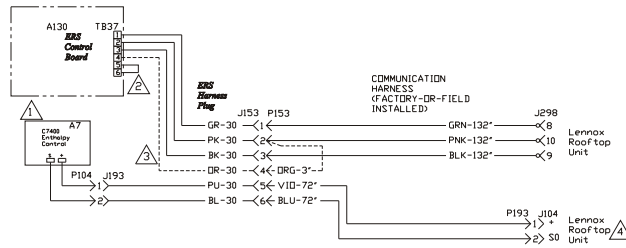


Figure 15

**Field Wiring Harness**

"Emergence"  
(PIVOTING)  
with  
Prodigy Control



- ⚠ Reposition enthalpy control (A7) into intake hood of ERV from rooftop unit economizer.
- ⚠ Remove Jumper to install optional low ambient switch.
- ⚠ This wire is used only on 5600 CFM units or higher.
- ⚠ Not used for either global enthalpy or sensible temperature.

Figure 16

14. All electrical connections must conform to any local codes and the current National Electric Codes (NEC) and Canadian Electric Code (CEC). Refer closely to wiring diagram in unit and/or in these instructions for proper connections. Refer to the unit nameplate for the minimum circuit ampacity and maximum over current protection size. Electrical data is listed on unit rating plate and motor nameplates.

15. Connect line voltage power to ERS unit from ERS field provided or rooftop unit disconnect switch (disconnect must be properly sized). Then connect line voltage from disconnect switch through ERS knockout on back panel to control box per the wiring diagram. See Figure 17 and 18.

16. Ground unit with a suitable ground connection either through unit supply wiring or earth ground.

**Note: Unit voltage entries must be sealed weather tight after wiring is complete.**

17. Replace access panels onto the ERS unit and secure.



Figure 17

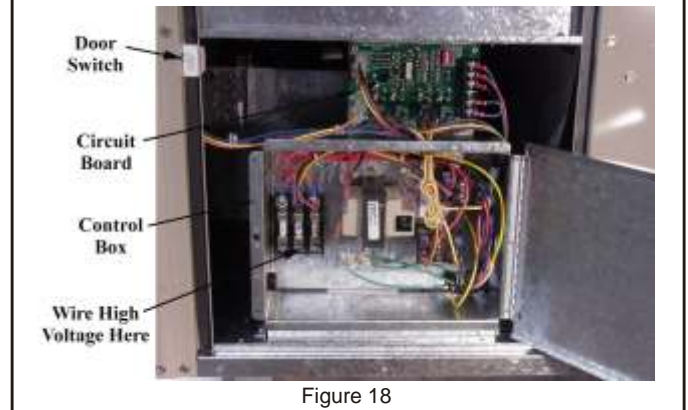


Figure 18

**ROOFTOP UNIT WIRING  
(See Field Wiring Diagram)**

1. Open access panel to rooftop unit controls.
2. The minimum damper blade position must be adjusted on the economizer logic module to the correct amount of outside air specified by the customer. Refer to Lennox rooftop unit manual for setting.

**Wheel Pivot Adjustment**

The Electronic Configuration To Order (ECTO) parameter must be set at ECTO 7.22 = 10 to indicate ERS is installed.

In the A55 Integrated Modular Controller II (IMC2) [Prodigy] of the RTU setting is required for the economizer to go to minimum outside air.

During default operation the ERS will start when the RTU unit blower is on and dampers are at minimum position. The wheel will pivot out of the fresh air stream at power exhaust signal or free-cooling demand.

The A55 (IMC2) uses the following parameters to control wheel position. See Figure 19.

**For Smoke Mode reference the Smoke Mode Operation table on Page 6.**

**OPTIONAL KITS (Factory Installed)**

**Motorized Intake Air Damper**

Damper mounts behind the outdoor air intake hood. It opens when the ERS is energized and closes when de-energized. Powered by B30 damper motor.

**Pressure Sensor**

Measurement device on the ERS to determine airflow across the Enthalpy Wheel.

**Low Ambient Control Kit (S26)**

Prevents frost formation on energy wheel heat transfer surfaces by terminating the intake blower operation when discharge air temperature falls below a field selectable temperature setting. Intake blower operation resumes operation after temperature rises above the adjustable temperature differential.

The frost threshold is the outdoor temperature at which frost will begin to form on the ERS wheel. For energy recovery systems, the frost threshold is typically below 10°F. Frost threshold is dependent on indoor temperature and humidity. The table shows how the frost threshold temperatures vary depending on indoor conditions.

FROST THRESHOLD TEMPERATURE	
INDOOR RH AT 70°F	FROST THRESHOLD TEMPERATURE
20%	0°F
30%	5°F
40%	10°F

Because ERS have a low frost threshold, frost control options are not necessary in many climates. Where outdoor temperatures may drop below the frost threshold during the ERS operational hours, exhaust only frost control option is available.

**ECONOMIZER SETTINGS**

Refer to economizer instructions for minimum air flow requirement. The damper setting on the internal economizer assembly are field adjustable to any position above minimum air flow for fresh air requirements at the customers specified conditions.

**BLOWER SPEED ADJUSTMENT**

Blower speed selection is accomplished by changing the speed tap wire (refer to wiring diagram) on both fresh air and exhaust air blowers. All blowers are factory set at "high" for maximum airflow. To determine air flow setting, external static pressure readings will need to be read across the ERS. **Reference Table 1 shown on page 8.** For location to take pressure readings. **See Figure 20.**

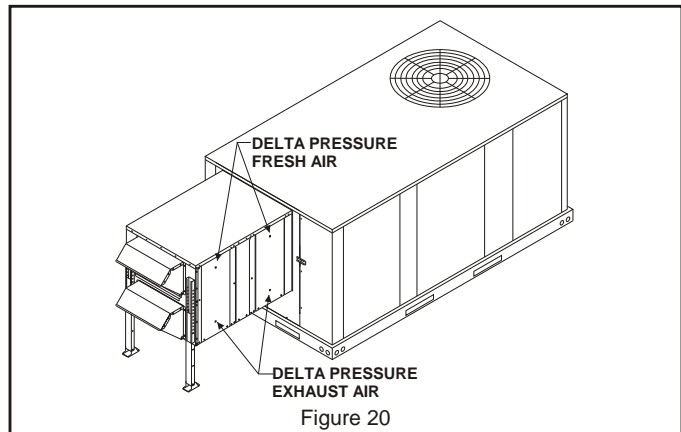


Figure 20

**Normal Operation**

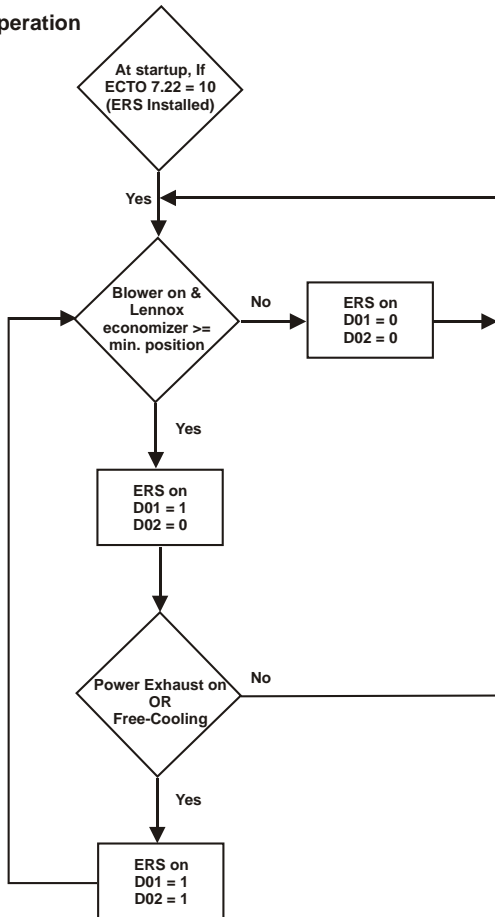


Figure 19

**Notes:**

1. D01 (turns on B28, B26, B27 thru ERS controller) and D02 (turns on B29 thru ERS controller) are relay outputs from Lennox IMC2 control board.
2. B28 - ERS Wheel Motor, B26 - ERS Exhaust Air Blower, B27 - ERS Fresh Air Blower, B29 - ERS Wheel pivot/damper motor

**Smoke Mode Operation**

Smoke Mode Setting (ECTO 5.01)	Blower	D02	Damper	D01
0, unit off (default)	OFF	OFF	Closed	OFF
1, pos. pressure	ON	OFF	100% Open	ON
2, neg. pressure	ON	ON	Closed	ON
3, purge	ON	ON	100% Open	ON
4, neg. pressure	OFF	ON	Closed	ON
5, neg. pressure	ON	ON	Closed	ON
6, purge	ON	ON	100% Open	ON
7, neg. pressure	OFF	ON	Closed	ON

3. Close access panels on the rooftop unit and secure.
4. Restore power to unit.
5. Once ERS is working properly, caulk any open joints, holes, or seams to make the units completely air and water tight.
6. Leave this instruction manual with owner or in an envelope to be kept near unit.

## OPERATION

### Recovery Wheel Mode

On a thermostat call for blower operation in heating, cooling or continuous blower, the ERS media will rotate between fresh air and exhaust air streams. Both the fresh air blower and exhaust air blower will be operating.

### Economizer/Power Exhaust Mode

On the activation of the economizer mode (closure of "EH" contact on logic module), the ERS unit will shutdown for approximately 60 seconds to allow the ERS media to pivot out of the air stream. After this delay timer has been satisfied, the exhaust air blower will operate. The ERS unit will act as a power exhaust unit.

This mode will continue until economizer has been deactivated. The exhaust air blower will shut down and the delay timer will be activated. During this time period the ERS media will pivot back into the air stream. When timing is complete the unit will operate in the Recovery Wheel Mode.

Then if economizer continues to close the ERS will shutdown when the "N" terminal is deactivated, thus allowing rooftop unit to run in night set back mode.

## SYSTEM CHECK

1. Disconnect ERS main power.

**Note:** *If Low ambient kit S26 is used the jumper between TB37-5 and TB37-6 should be removed. Also if system check out is being conducted at low ambient temperatures, jumper low ambient switch.*

2. Open rooftop unit blower access panel and locate TB1. Jumper terminals 6 (24v) and 3 (G) to energize rooftop unit blower. Refer to manufacturers instructions when an electronic thermostat or other energy management system is used.
3. Remove ERS control access panel and install jumper at low voltage terminal strip between TB37-1 and TB37-2.
4. Restore power to ERS unit. The recovery wheel will pivot out of the air stream, fresh air blower dampers will open, and after a delay, the exhaust blower will operate.
5. Remove jumper from ERS control board TB37-1 and TB37-2. The recovery wheel will pivot into the air stream, the fresh air blower dampers will close, and after a delay, the fresh air blower and exhaust air blower will operate.
6. Disconnect main power to unit before making adjustment to economizer and/or ERS unit.
7. Remove all jumpers and replace ERS control access cover.
8. Set thermostat to normal operating position.
9. Restore power to unit.

## MAINTENANCE

### Motor Maintenance

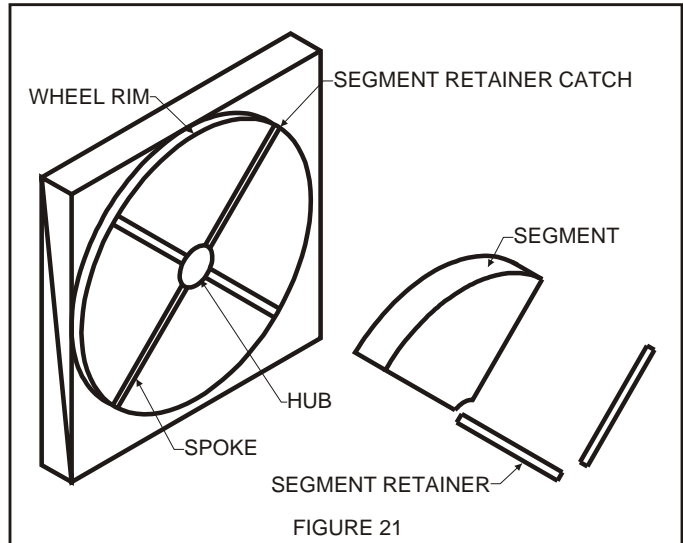
All motors use prelubricated sealed bearings; no further lubrication is necessary.

### Mechanical Inspection

Make visual inspection of dampers, linkage assemblies and ERS rotating bearings during routine maintenance. Filters should be checked periodically and cleaned when necessary. Filter is located in fresh air hoods. **DO NOT** replace permanent filters with throwaway type filters.

### Energy Wheel Maintenance

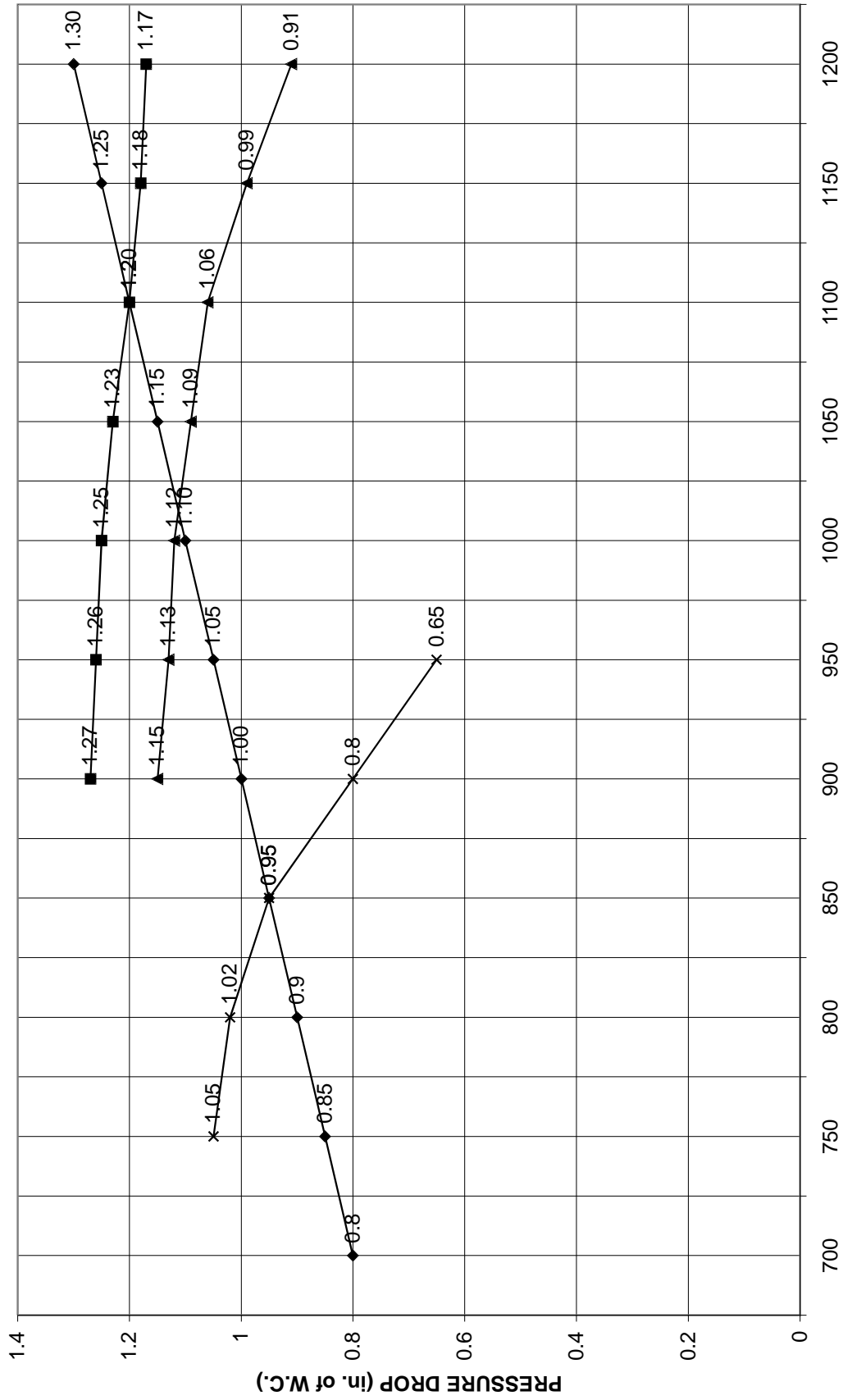
Four pie-shaped energy recovery wheel segments are seated on stops between the stainless steel spring retainers, secured to the hub and rim of wheel. Annual inspection of the self cleaning wheel is recommended. With power disconnected, remove ERS access panels (rear) and unplug (J150 & P150). Refer to wiring diagram in this instruction manual. Each segment is secured in place by a stainless steel spring retainer located on wheel rim. Remove one end of the stainless steel spring retainer from the slot in the wheel rim and remove. Do the same on the next retainer. Remove segment and wash with water and/or mild detergent. Replace segment by reversing the above procedure. **See Figure 21.** Discoloration and staining of ERS segment does not affect its performance. Only excessive buildup of foreign material need be removed. If the segment appears excessively dirty, it should be cleaned to ensure maximum operating efficiency. Thoroughly spray plastic surface with household cleaner such as Fantastic or equivalent middle detergent and gently rinse with warm water using a soft brush to remove heavier accumulation. Shake excess water from segment and replace in reverse of removal instructions.



# 50P1149xH\* Series

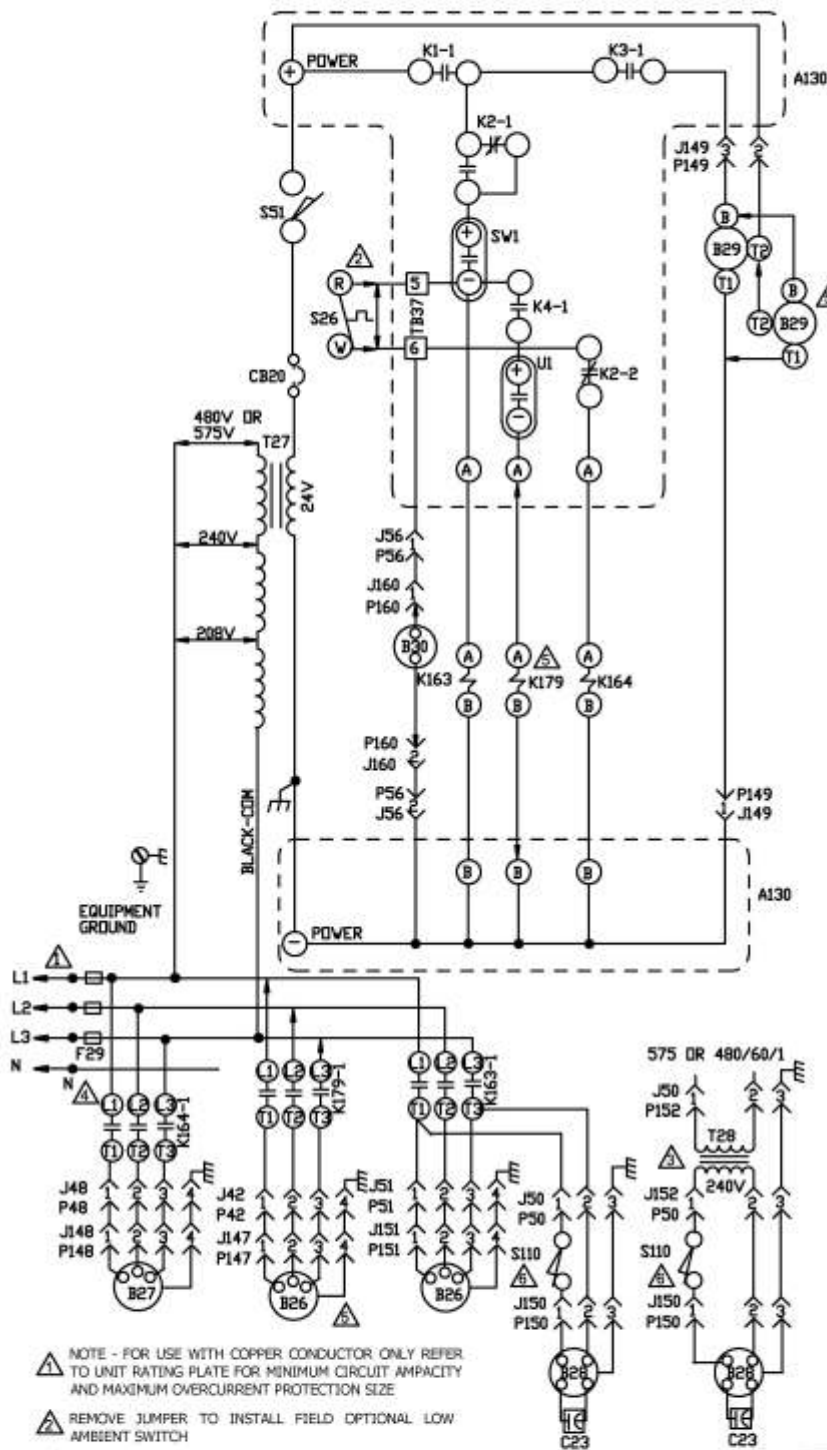
## ENERGY RECOVERY SYSTEMS

ERS 
  BlowHi 
  BlowMed 
  BlowLo



**SCFM**  
 Equation of Line:  $SCFM = (PD - 0.0568182) / 0.0010455$   
**TABLE#1**





KEY	DESCRIPTION
A130	CONTROL, PIVOT WHEEL
B26	MOTOR, EXHAUST AIR BLOWER
B27	MOTOR, FRESH AIR BLOWER
B28	MOTOR, DESSICANT WHEEL
B30	MOTOR, DAMPER (OPTIONAL)
C23	CAPACITOR, WHEEL MOTOR
CB20	CIRCUIT BREAKER, DESSICANT WHEEL
F29	FUSE, DESSICANT WHEEL
J42	JACK, EXHAUST FAN
J48	JACK, MOTOR VARIABLE SPEED
J50	JACK, TRANSFORMER
J51	JACK, EXHAUST BLOWER
J56	JACK, DAMPER MOTOR PCB
J147	JACK, EXHAUST AIR BLOWER
J148	JACK, FRESH AIR BLOWER
J149	JACK, WHEEL AND DAMPER MOTOR
J150	JACK, WHEEL MOTOR
J151	JACK, EXHAUST BLOWER MOTOR
J152	JACK, TRANSFORMER EXHAUST BLOWER
J160	JACK, DAMPER MOTOR
K163, -1	CONTACTOR, EXHAUST AIR BLOWER
K164, -1	CONTACTOR, FRESH AIR BLOWER
K179, -1	CONTACTOR EXHAUST FAN
P42	PLUG, EXHAUST FAN
P48	PLUG, MOTOR VARIABLE SPEED
P50	PLUG, TRANSFORMER
P51	PLUG, EXHAUST BLOWER
P56	PLUG, DAMPER MOTOR PCB
P148	PLUG, FRESH AIR BLOWER
P149	PLUG, WHEEL AND DAMPER MOTOR
P150	PLUG, WHEEL MOTOR
P151	PLUG, EXHAUST BLOWER MOTOR
P152	PLUG, TRANSFORMER EXHAUST BLOWER
P160	PLUG, DAMPER MOTOR
S26	THERMOSTAT, AMBIENT
S51	SWITCH, DOOR INTERLOCK
S110	SWITCH, TIP
T27	TRANSFORMER, DESSICANT WHEEL
T28	TRANSFORMER, STEP DOWN WHEEL MOTOR

NOTE - IF ANY WIRE IN THIS APPLIANCE IS REPLACED IT MUST BE REPLACED WITH WIRE OF LIKE SIZE, RATING, TERMINATION AND INSULATION THICKNESS

WARNING - ELECTRIC SHOCK HAZARD, CAN CAUSE INJURY OR DEATH. UNIT MUST BE GROUNDED IN ACCORDANCE WITH NATIONAL AND LOCAL CODES DISCONNECT ALL POWER BEFORE SERVICING.

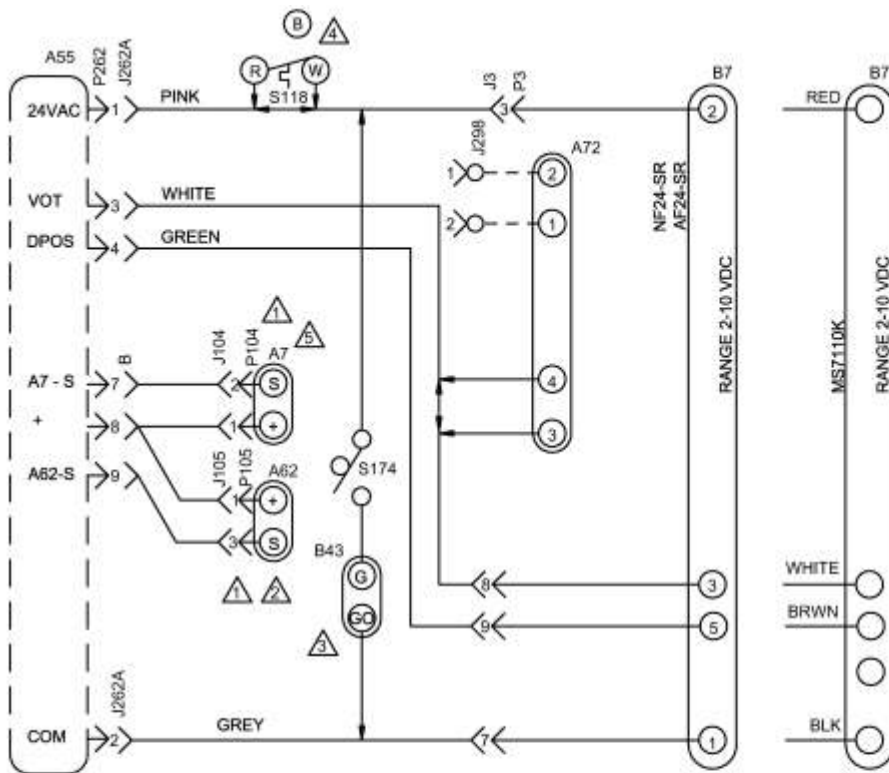
- NOTE - FOR USE WITH COPPER CONDUCTOR ONLY REFER TO UNIT RATING PLATE FOR MINIMUM CIRCUIT AMPACITY AND MAXIMUM OVERCURRENT PROTECTION SIZE
- REMOVE JUMPER TO INSTALL FIELD OPTIONAL LOW AMBIENT SWITCH
- STEP DOWN TRANSFORMER ASSEMBLY FOR 480 AND 600 VOLT UNITS ONLY
- M (380-420 50 Hz 3 $\phi$ ) VOLTAGE HOOK UP
- B29 AND K179 USED ON HIGHER CFM UNITS
- S110 CLOSED DURING RECOVERY MODE AND OPEN DURING ECONOMIZER MODE

← DENOTES OPTIONAL COMPONENTS  
 — LINE VOLTAGE FIELD INSTALLED NEC/CEC CLASS 1  
 NOTE - ALL REMAINING WIRES FACTORY INSTALLED

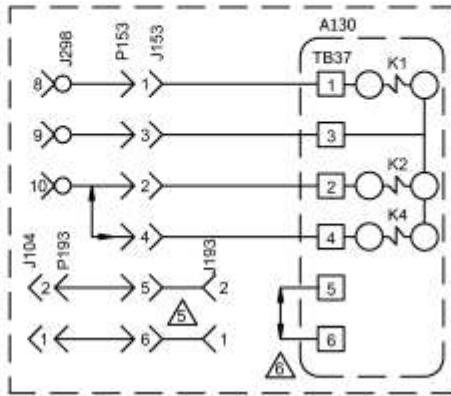
WIRING DIAGRAM		02/10
ACCESSORIES		
PIVOTING ENERGY RECOVERY WHEEL FOR ENERGENCE AND LANDMARK G, J, M, Y VOLTAGE UNITS		
SECTION F		REV. 1.0
Supersedes	New Form No.	
	537331-01	

© 2009

Lennox Commercial



DESCRIPTION	
KEY	COMPONENT
A7	SENSOR, SOLID STATE ENTHALPY
A130	CONTROL, ERS
A55	CONTROL, MAIN PANEL LENNOX
A62	SENSOR, ENTHALPY INDOOR
A72	CONTROL, REMOTE MIN POS (OPT)
B7	MOTOR, DAMPER ECONOMIZER
B43	MOTOR, EXHAUST DAMPER
J3	JACK, UNIT ECONOMIZER
J104	JACK, SENSOR OUTDOOR ENTHALPY
J105	JACK, SENSOR RETURN AIR ENTHALPY
J153	JACK, ENTHALPY / DAMPER MOTOR
J193	JACK, ENTHALPY SENSOR
J298A	JACK, IAQ INTERFACE
J262A	JACK, DAMPER MOTOR
J262B	JACK, ENTHALPY SENSORS
P3	PLUG, ECONOMIZER BYPASS
P153	PLUG, ENTHALPY / DAMPER MOTOR
P193	PLUG, ENTHALPY SENSOR
P262	PLUG, ECONOMIZER OUTPUT
S118	THERMOSTAT, DESICANT DEFROST
S174	SWITCH, EXHAUST DAMPER



ENERGY RECOVERY WHEEL HOOK UP

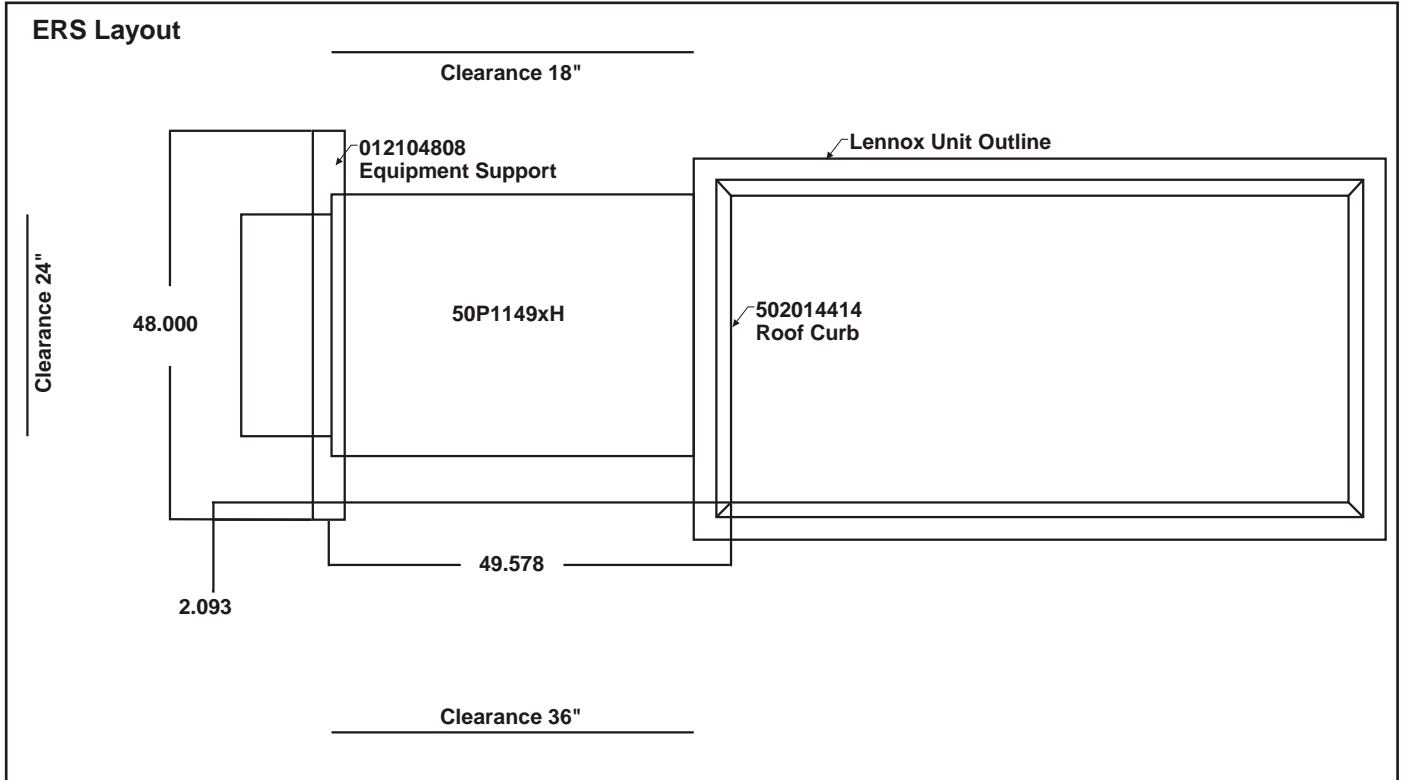
- ⚠️ DELETE A7 AND A62 (IF USED) FOR EITHER GLOBAL ENTHALPY OR SENSIBLE TEMPERATURE CONTROL
- ⚠️ FOR UNIT DIFFERENTIAL ENTHALPY CONTROL, ADD A62 RETURN AIR ENTHALPY SENSOR
- ⚠️ OPTIONAL EXHAUST DAMPER ACTUATOR TO HOLD EXHAUST DAMPER CLOSED WHEN OUTSIDE AIR DAMPER IS CLOSED
- ⚠️ S118 USED ON 35 TO 50 TON EMERGENCE UNITS WITH ENERGY RECOVERY WHEEL (ERW)
- ⚠️ REPOSITION A7 ENTHALPY SENSOR FROM ROOFTOP UNIT ECONOMIZER INTO INTAKE HOOD OF THE ERW ROOFTOP UNIT
- ⚠️ REMOVE JUMPER WHEN INSTALLING OPTIONAL LOW AMBIENT SWITCH

NOTE- THIS DIAGRAM USED ONLY WHEN ECONOMIZER OR MOTORIZED OUTDOOR AIR DAMPERS ARE INSTALLED.

— DESIGNATES OPTIONAL WIRING  
 - - - CLASS II FIELD WIRING

WIRING DIAGRAM		09/09
ACCESSORIES		
EMERGENCE SERIES ECONOMIZER AND MOTORIZED OAD PIVOTING WHEEL ENERGY RECOVERY SYSTEM OPTION		
SECTION D		
Supersedes	New Form No.	
	537189-01	
© 2009	Lennox Commercial	

Lennox Model No.	Req'd Curb Height	CFM Range	Voltage	Phase
50P1149xH21	14"	700-1000	208-230	1
50P1149xH23	14"	700-1000	208-230	3
50P1149xH33	14"	700-1000	460	3
50P1149xH43	14"	700-1000	575	3



# START UP INFORMATION SHEET

## VOLTAGE - ERS UNIT

Incoming Voltage L1-L2 \_\_\_\_\_ L1-L3 \_\_\_\_\_ L2-L3 \_\_\_\_\_  
Running Voltage L1-L2 \_\_\_\_\_ L 1-L3 \_\_\_\_\_ L2-L3 \_\_\_\_\_  
Secondary Voltage \_\_\_\_\_ C (black) to G (green) Volts\* \_\_\_\_\_  
C (black) to W (white) Volts\* \_\_\_\_\_

\* With thermostat calling.

## AMPERAGE - ERS MOTORS

Intake Motor: Nominal HP \_\_\_\_\_ Rated Amps \_\_\_\_\_ Running Amps \_\_\_\_\_  
Exhaust Motor: Nominal HP \_\_\_\_\_ Rated Amps \_\_\_\_\_ Running Amps \_\_\_\_\_  
Wheel Motor: Nominal HP \_\_\_\_\_ Rated Amps \_\_\_\_\_ Running Amps \_\_\_\_\_

## AIRFLOW

Intake Design CFM \_\_\_\_\_ Pressure Drop \_\_\_\_\_ Calculated CFM \_\_\_\_\_  
Exhaust Design CFM \_\_\_\_\_ Pressure Drop \_\_\_\_\_ Calculated CFM \_\_\_\_\_  
Amb. db Temp \_\_\_\_\_ Return Air db Temp\* \_\_\_\_\_ Tempered Air db Temp\* \_\_\_\_\_  
Amb. wb Temp \_\_\_\_\_ Return Air wb Temp\* \_\_\_\_\_ Tempered Air wb Temp\* \_\_\_\_\_

\* Measure after 15 minutes of run time

---

## INSTALLATION CHECK LIST

Model # \_\_\_\_\_ Serial # \_\_\_\_\_  
Owner \_\_\_\_\_ Owner Phone # \_\_\_\_\_  
Owner Address \_\_\_\_\_  
Installing Contractor \_\_\_\_\_ Start Up Mechanic \_\_\_\_\_

- Inspect the unit for transit damage and report any damage on the carrier's freight bill.
- Check model number to insure it matches the job requirements.
- Install field accessories and unit adapter panels as required. Follow accessory and unit installation manuals.
- Verify field wiring, including the wiring to any accessories.
- Check all multi-tap transformers, to insure they are set to the proper incoming voltage.
- Verify correct belt tension, as well as the belt/pulley alignment. Tighten if needed.
- Prior to energizing the unit, inspect all the electrical connections.
- Power the unit. Bump the motor contactor to check rotation. Three phase motors are synchronized at the factory. If blower motor fans are running backwards, de-energize power to the unit, then swap two of the three incoming electrical lines to obtain proper phasing. Re-check.
- Perform all start up procedures outlined in the installation manual shipped with the unit.
- Fill in the Start Up Information as outlined on the opposite side of this sheet.
- Provide owner with information packet. Explain the thermostat and unit operation.