

COMMERCIAL TRAINING TOOLBOX TIPS

Factory-Installed Smoke Alarm Connections for Emergence C & D Box Rooftop Units

Applies to Lennox Emergence 13 – 30 Ton Rooftop Units that are factory-configured with a smoke alarm

Helpful Resources

1. Prodigy app. Download links below.
2. Prodigy Setup Guide – 507241. Download from LennoxPros.com or LennoxCommercial.com.
3. D4P120 & D4S Smoke Detector Kits Installation Manual – 506791. Download from LennoxPros.com or LennoxCommercial.com.

Before startup or when receiving a “smoke” alert upon startup, confirm that the smoke detection kit has been installed properly.

1. Identify the smoke detector kit components (return air sampling sensor, supply air sampling sensor, and power board) in the RTU.
 - a. Refer to the D4P120 & D4S Smoke Detector Kits Installation Manual – 506791, or Figure 1 below, for approximate component locations.
 - b. If the power board or sampling sensors have not been installed, stop and immediately call 1-800-4-LENNOX for technical support. Be ready to provide the unit serial number at the time of the call.
 - c. If the unit has been used during the construction phase, ensure that sensors are reconnected properly and are clear of dust.

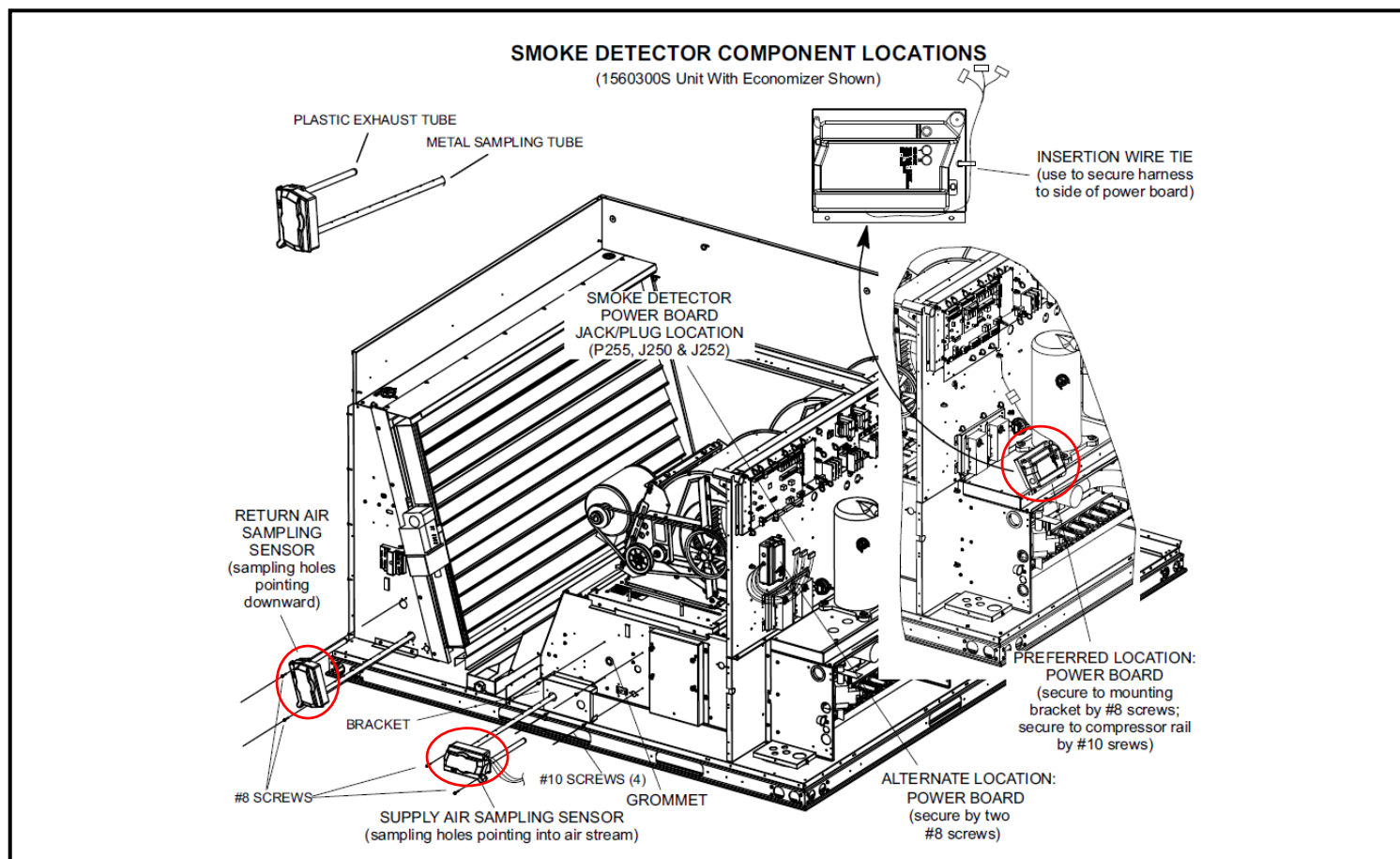


Figure 1. Smoke Detector Component Locations

MORE Training Toolbox Tips Available!
Click [here](#) to download them all.

Self-Service Technical Support with No Wait Times! Click the black logos to download these apps.

Click [here](#) to register for any of the Lennox Commercial Product Technical Training Webinars.

Factory-Installed Smoke Alarm Connections for Emergence C & D Box Rooftop Units

Applies to Lennox Emergence 13 – 30 Ton Rooftop Units that are factory-configured with a smoke alarm

2. Refer to the wiring diagram in the Prodigy Setup Guide – 507241, or Figure 2 below, and locate two boards labeled A173 and P262.
 - a. The board contains the smoke sampling sensor connections and the sensor 24V power connections.
 - b. Tip: Turn the wiring diagram to the left so that A173 is in the upper left corner of the diagram.

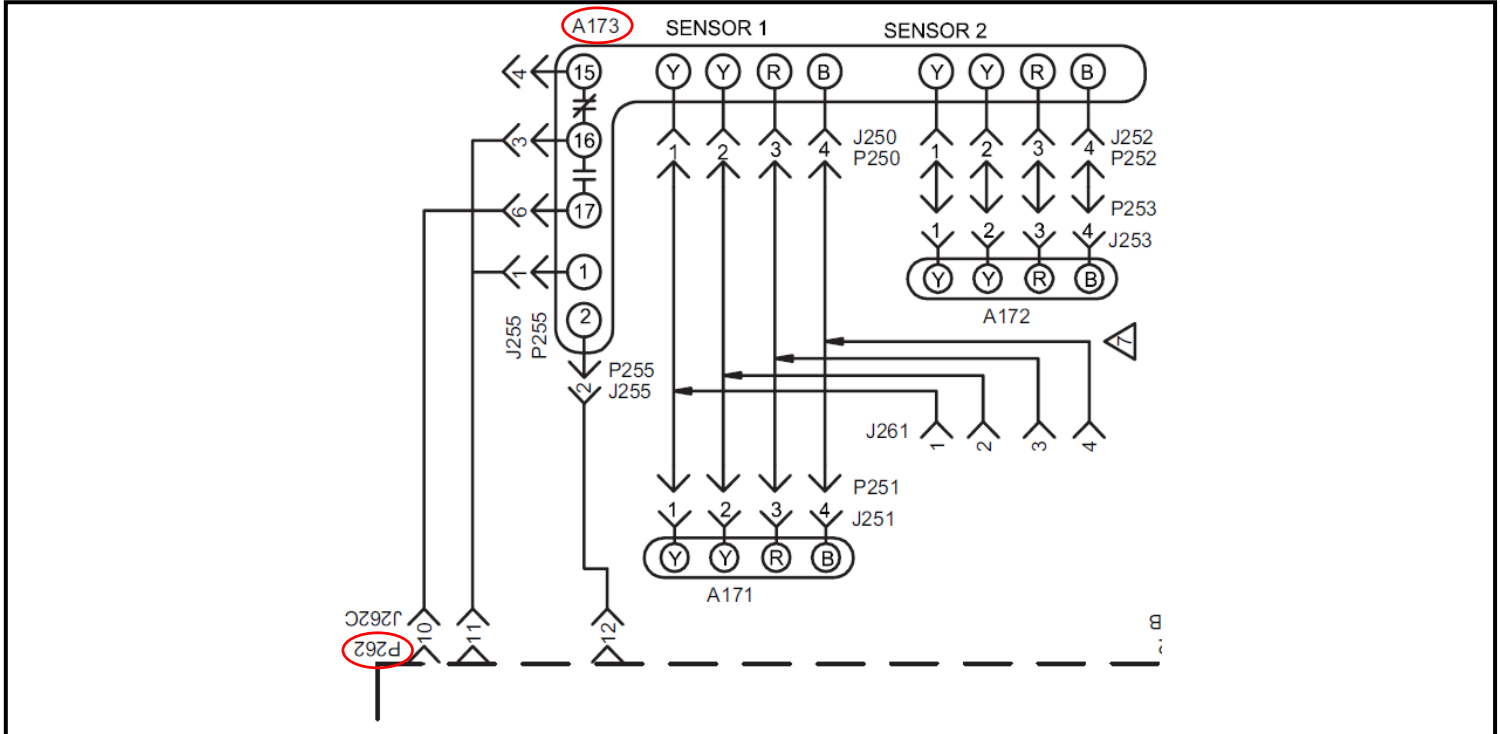


Figure 2. Wiring Diagram – P262

3. Remove the cover from the Prodigy controller and locate P262 on the board. P262 is in the upper left corner of the control board.

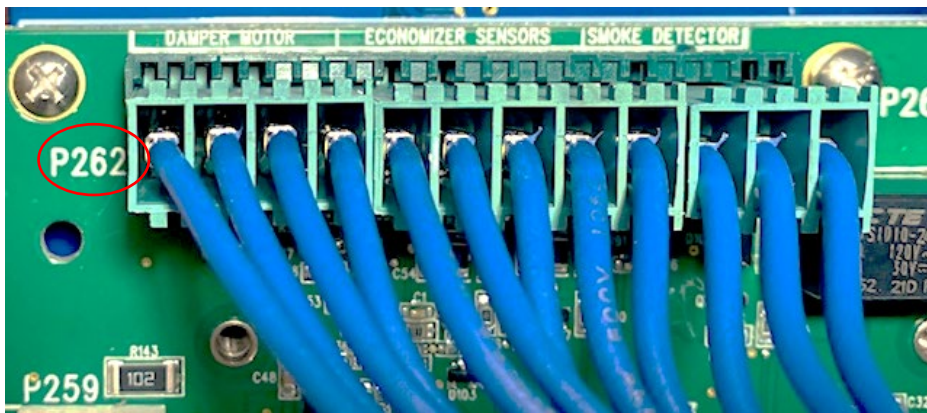


Figure 3. Prodigy Board – P262

4. Refer to the Prodigy Setup Guide – 507241 P262 Economizer Control Table to identify PIN connections.
 - a) Pin 10 is wired to Terminal 17 and Pin 11 will be wired to Terminal 16.
 - b) These are normally open connections.
5. Confirm that plugs are connected as shown in the wiring diagram.
6. Confirm that wiring connections are secure.
 - a. If the wiring connections do not match the wiring diagram, contact technical support. Have the unit serial number available when you call.