

507806-01
 1/2024
 Supersedes 1/2018

GRILLE KIT

**INSTALLATION INSTRUCTIONS FOR GRILLE KIT
 USED WITH 156-300 UNITS**

Shipping and Packing List

Package 1 of 1 contains:

- 2- Side grilles
- 1- Bottom grille (17A42 only)
- 1- Bag assembly containing:
 - 4-Self-drilling screws (17A42 only)

Application

Grilles cover the side openings on the front and back of the condenser coil. On the C1 box, an additional grille is provided which is installed beneath the condenser coil on the end of the unit. See table 1.

TABLE 1

Box	Unit	Ass'y #	Cat #	Figure
C1	LGT/LCT156, KGC/KCC180, 210	105392-01	17A42	1
C2	LCM/LGM156-300 LGT/LCT180-300 LHT/LDT156-240 KGC/KCC240-300 KHC180-240	105393-01	17A46	2

⚠ WARNING

Improper installation, adjustment, alteration, service or maintenance can cause property damage, personal injury or loss of life. Installation and service must be performed by a licensed professional installer (or equivalent), service agency or the gas supplier.

⚠ CAUTION

As with any mechanical equipment, contact with sharp sheet metal edges can result in personal injury. Take care while handling this equipment and wear gloves and protective clothing.

Installation

17A42 C1 Box Units

Place the side grilles over the side openings and remove only the screws needed to install the grilles. Secure grilles using the existing screws. See figure 1.

Place bottom grille over the opening beneath the end of the coil. Secure using the four self-drilling screws provided in the kit. See figure 1.

17A46 C2 Box Units

Place the side grilles over the side openings and remove only the screws needed to install the grilles. Secure grilles using the existing screws. See figure 2.

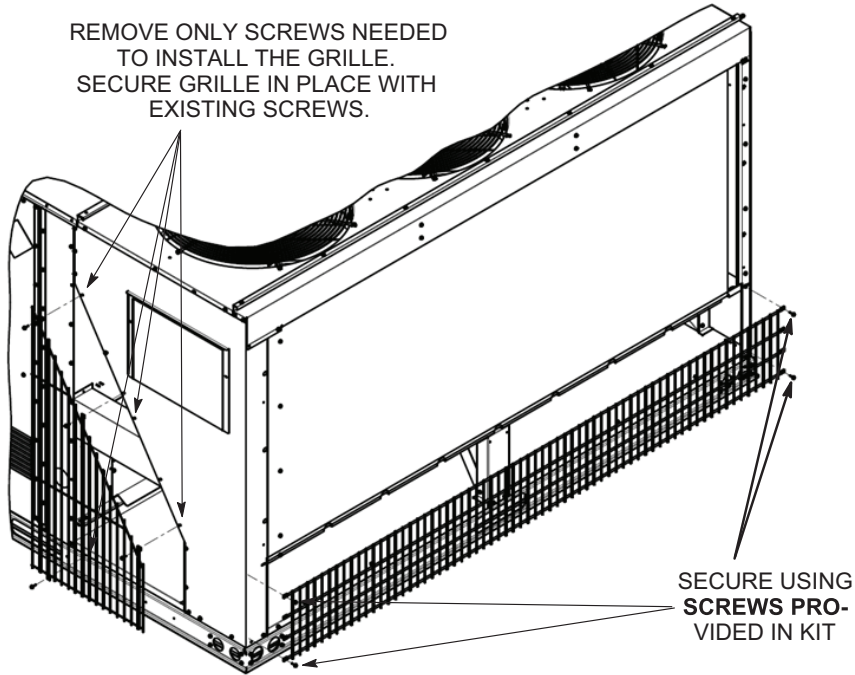
⚠ WARNING

To prevent serious injury or death:

- 1- Lock-out/tag-out before performing maintenance.
- 2- If system power is required (e.g., smoke detector maintenance), disable power to blower, remove fan belt where applicable, and ensure all controllers and thermostats are set to the "OFF" position before performing maintenance.
- 3- Always keep hands, hair, clothing, jewelry, tools, etc., away from moving parts.

INSTALL GRILLE - C1 BOX UNITS
17A42

REMOVE ONLY SCREWS NEEDED
TO INSTALL THE GRILLE.
SECURE GRILLE IN PLACE WITH
EXISTING SCREWS.



SECURE USING
SCREWS PRO-
VIDED IN KIT

FIGURE 1

INSTALL GRILLE - C2 BOX UNITS
17A46

REMOVE ONLY SCREWS NEEDED
TO INSTALL THE GRILLE.
SECURE GRILLE IN PLACE WITH
EXISTING SCREWS.

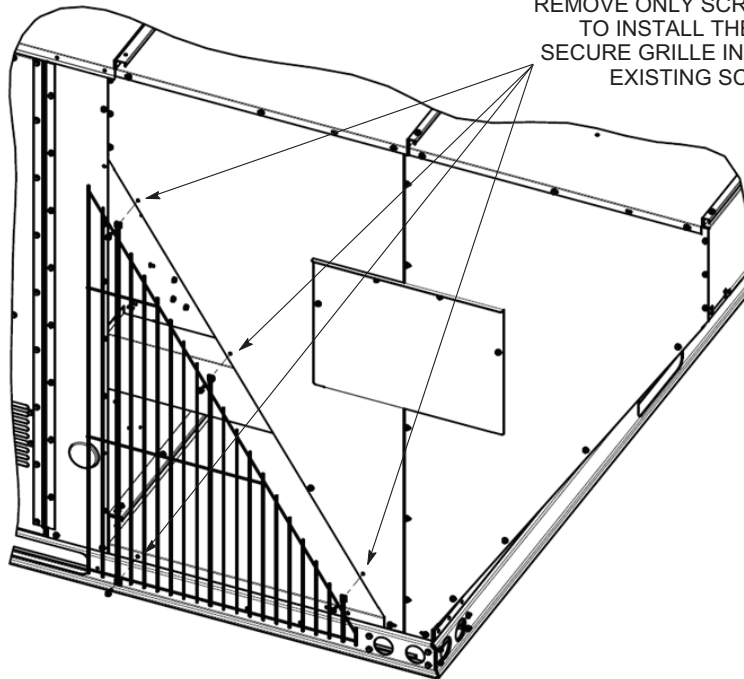


FIGURE 2