

508402-01
8/2023

ECONOMIZER ACTUATOR REPLACEMENT KIT

INSTALLATION INSTRUCTIONS FOR ECONOMIZER ACTUATOR REPLACEMENT KIT (626141-01; 25G74) USED WITH KG/KC/KH/LGH/LCH/TGA/TCA/THA UNITS

Shipping and Packing List

Package 1 of 1 contains:

- 1-MS7103A Actuator/Motor
- 1-Crank Arm Kit
- Bag assembly containing:
 - 4-1/4" Q.C. Terminals

⚠ CAUTION

As with any mechanical equipment, personal injury can result from contact with sharp sheet metal edges. Be careful when you handle this equipment.

Application

The economizer actuator replacement kit is used when replacing Honeywell M7415, M6415, M7405, M8415, M7215, Modultrol IV, Johnson M100, and Invensys MA actuators.

Installation

- 1 - Disconnect all power to unit.
- 2 - Disconnect wiring and remove obsolete actuator. See figure 1.
- 3 - Drill two holes for actuator bolts in the side of the economizer. See figure 2.
- 4 - Slide replacement actuator into plastic bracket provided in the crank arm kit.
- 5 - Align the actuator, plastic bracket, and L-bracket. Fit actuator onto damper shaft and secure to side of economizer. See figure 4 and 5.

⚠ WARNING

To prevent serious injury or death:

- 1- Lock-out/tag-out before performing maintenance.
- 2- If system power is required (e.g., smoke detector maintenance), disable power to blower, remove fan belt where applicable, and ensure all controllers and thermostats are set to the "OFF" position before performing maintenance.
- 3- Always keep hands, hair, clothing, jewelry, tools, etc., away from moving parts.

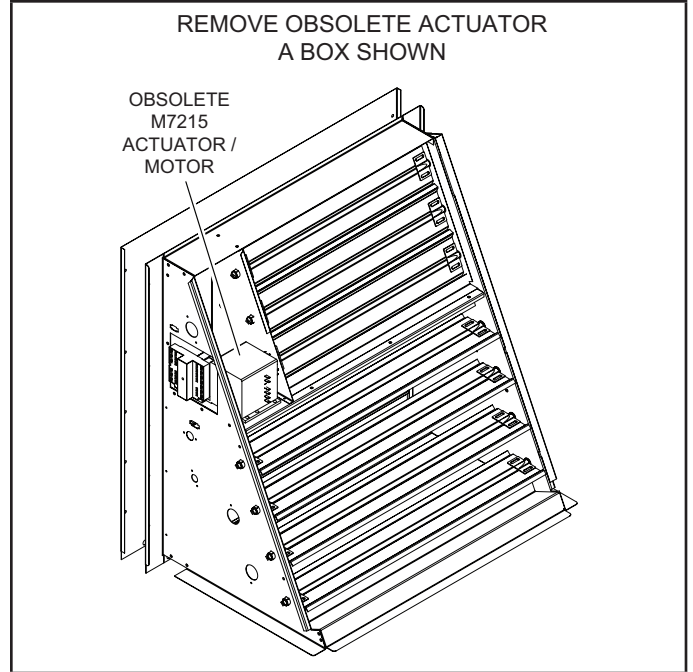


FIGURE 1

⚠ WARNING

Improper installation, adjustment, alteration, service or maintenance can cause property damage, personal injury or loss of life. Installation and service must be performed by a licensed professional installer (or equivalent), service agency or the gas supplier.

- 6 - Install quick connects onto actuator wires. Route wires to the outside of the economizer and connect to economizer controller (A6) as shown in figure 3. See table 1.

TABLE 1

Wire Color	Description
Red	24V Power
Black	Common
White	Control Signal*

*Dampers modulate between open and closed when economizers are installed. Dampers modulate to fully-open or fully-closed when outdoor air dampers are installed.



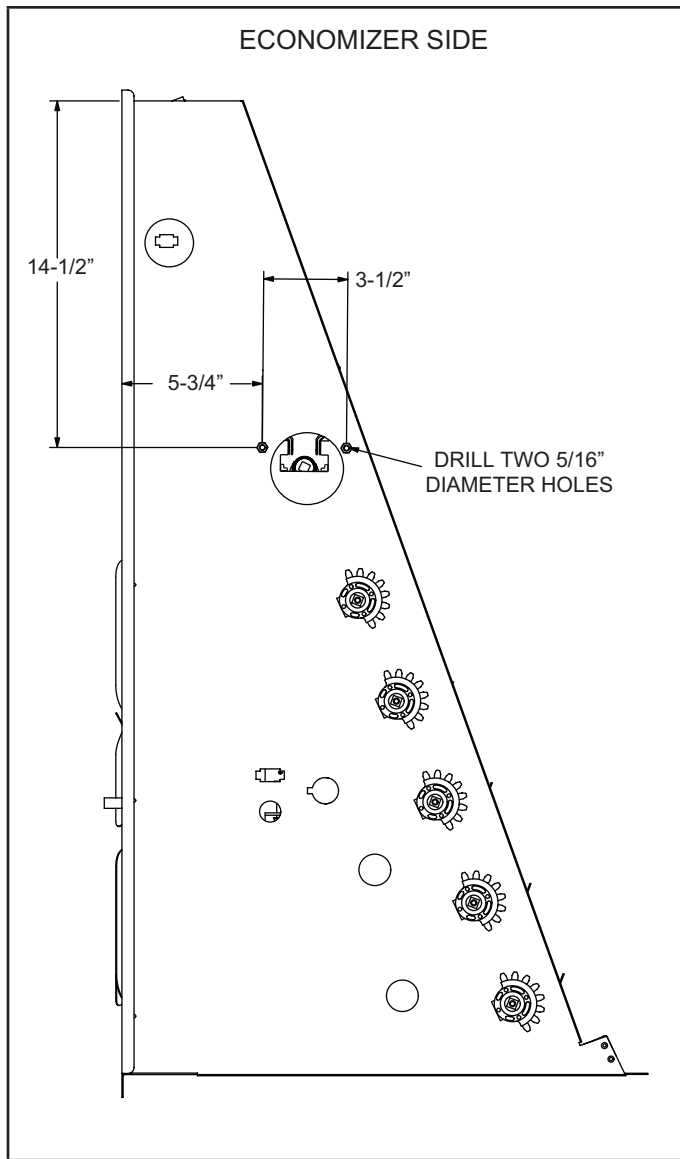


FIGURE 2

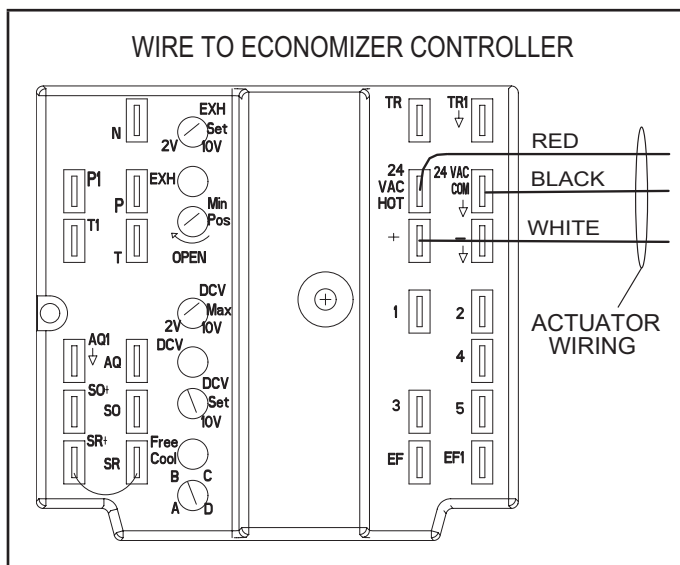


FIGURE 3

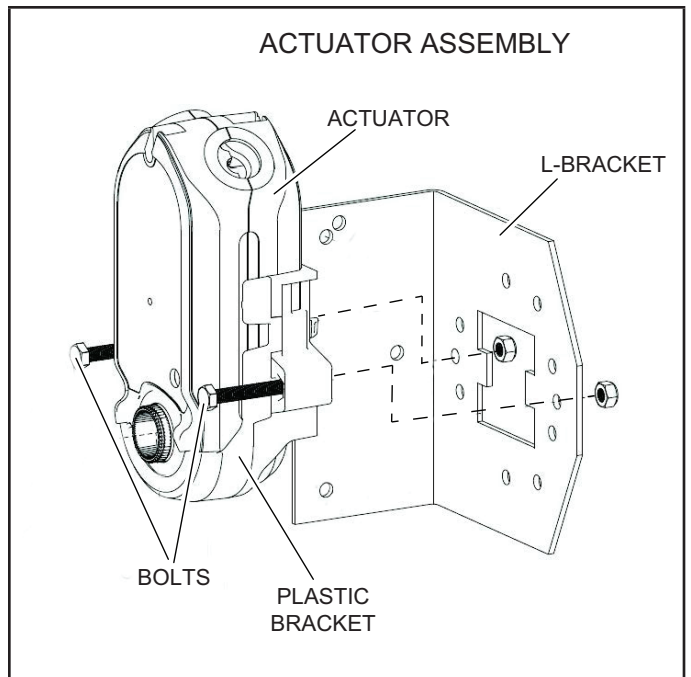


FIGURE 4

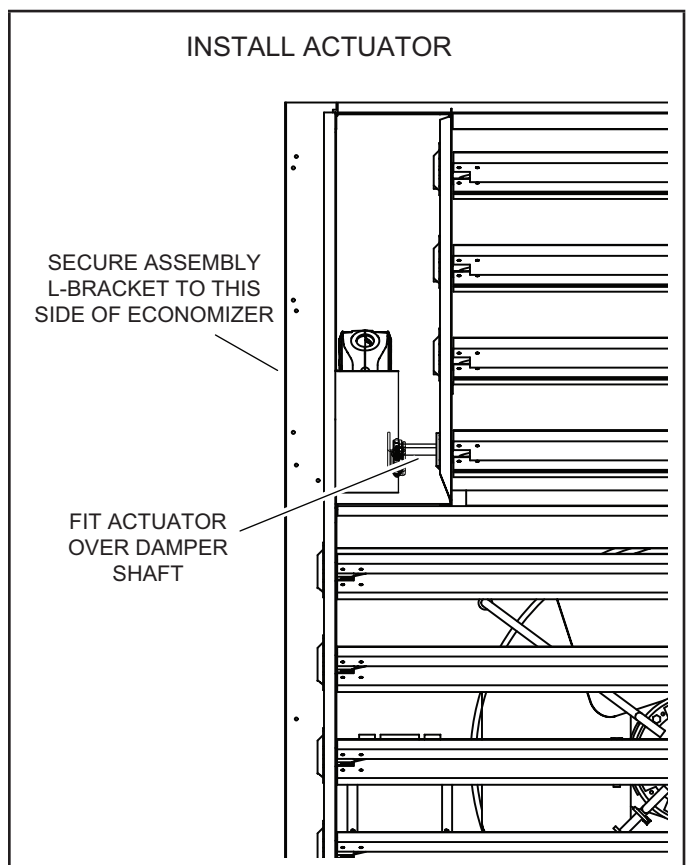


FIGURE 5