

# PACKAGED UNIT KITS AND ACCESSORIES

507806-01  
1/2018

## GRILLE KIT

### INSTALLATION INSTRUCTIONS FOR GRILLE KIT USED WITH LGH/LCH 092-120 & 156-300 UNITS

#### Shipping and Packing List

**Package 1 of 1 contains:**

- 2- Side grilles
- 1- Bottom grille (17A42 only)
- 1- Bag assembly containing:
  - 4-Self-drilling screws (17A42 only)

#### Application

Grilles covers the side openings on the front and back of the condenser coil. On C1 box, LGH/LCH 156 units, an additional grille is provided which is installed beneath the condenser coil on the end of the unit. See table 1.

**Note - These kits DO NOT apply to 150 & 152 B box units.**

**TABLE 1**

Box	Unit	Ass'y #	Cat #	Figure
B	LGH 092-120	105391-01	17A39	1
C1	LGH/LCH 156	105392-01	17A42	3
C2	LGH/LCH 180-300	105393-01	17A46	2
B	LCH 092-120	105409-01	17A47	1

**⚠ WARNING**

**Improper installation, adjustment, alteration, service or maintenance can cause property damage, personal injury or loss of life. Installation and service must be performed by a licensed professional HVAC installer or equivalent, service agency, or the gas supplier**

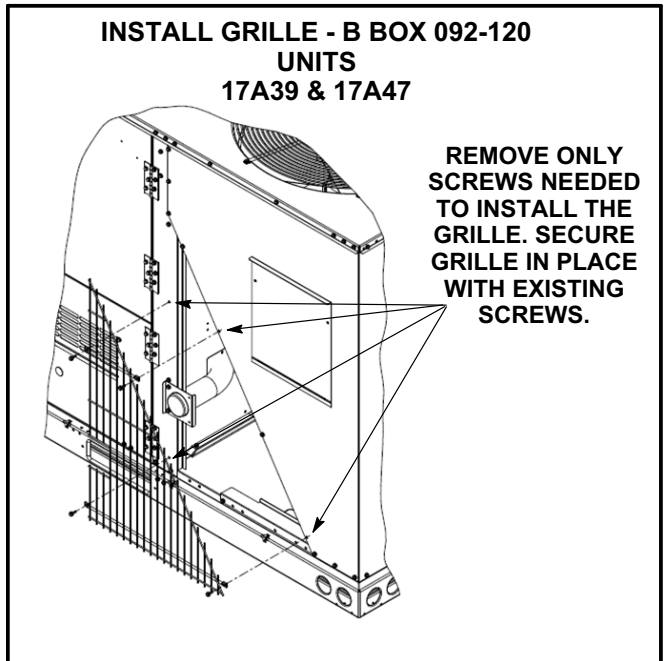
**⚠ CAUTION**

**As with any mechanical equipment, contact with sharp sheet metal edges can result in personal injury. Take care while handling this equipment and wear gloves and protective clothing.**

#### Installation

17A39, 17A47, 17A46  
LGH/LCH 092-120 (B Box) & 180-300 (C2 Box) Units -

Place the side grilles over the side openings and remove only the screws needed to install the grilles. Secure grilles using the existing screws. See figure 1 or 2.



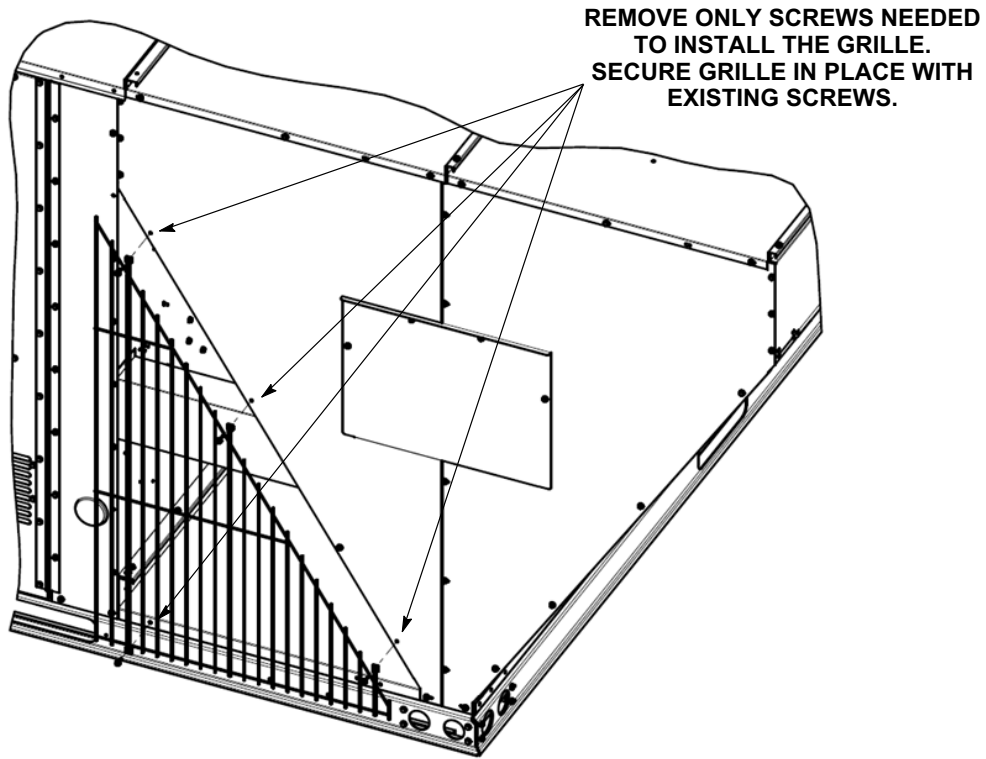
**FIGURE 1**

17A42  
LGH/LCH 156 (C1 Box) Units -

Place the side grilles over the side openings and remove only the screws needed to install the grilles. Secure grilles using the existing screws. See figure 3.

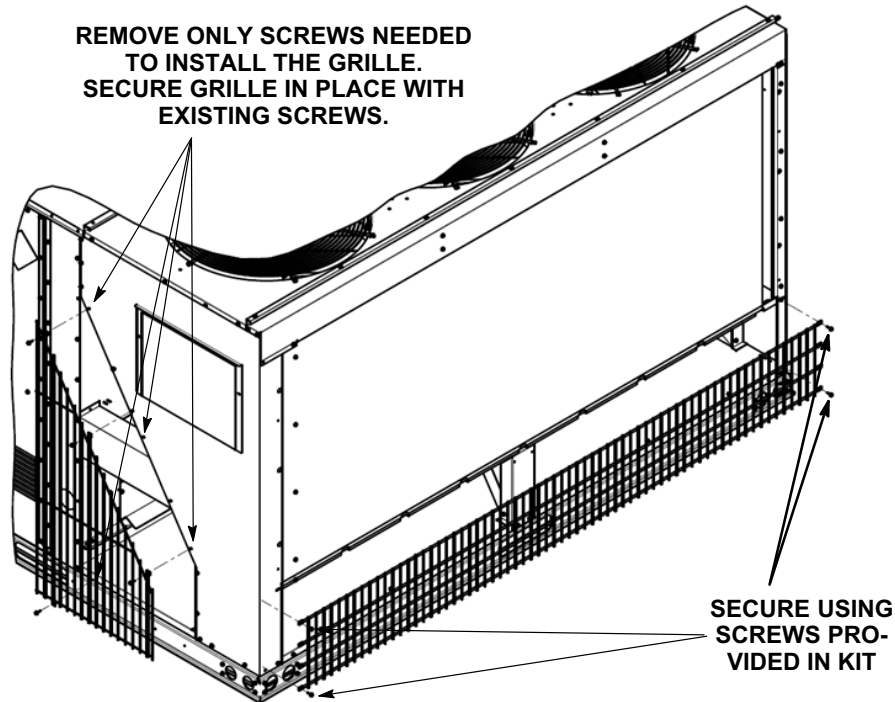
Place bottom grille over the opening beneath the end of the coil. Secure using the four self-drilling screws provided in the kit. See figure 3.

**INSTALL GRILLE - C2 BOX LGH/LCH 180-300 UNITS  
17A46**



**FIGURE 2**

**INSTALL GRILLE - C1 BOX LGH/LCH 156 UNITS  
17A42**



**FIGURE 3**