



©2024 Lennox Industries Inc.
Dallas, Texas, USA



INSTALLATION INSTRUCTIONS

MLB/MPC Outdoor Units with MWMC Indoor Units

SINGLE-ZONE MINI-SPLIT SYSTEMS
(115V and 208/230V) --
Wall-Mounted Indoor Unit
507545-07 04/2024
Supersedes 02/2024

Table of Contents

General.....	1
Included Parts.....	2
Model Number Identification.....	3
Indoor / Outdoor Unit Match-Ups.....	4
System Dimensions.....	5
Outdoor Units.....	5
Indoor Units.....	8
Wall Mounting Plates.....	9
System Clearances.....	11
Outdoor Unit.....	11
Indoor Unit.....	11
Torque Requirements for Caps and Fasteners.....	12
Indoor Unit Installation.....	12
Unit Placement Considerations.....	12
Determining Wall Mounting Plate Location.....	12
Installation of Wall Mounting Plate.....	13
Installation of Wall Sleeve.....	13
Installation of Indoor Unit on Wall Mounting Plate.....	13
Indoor Unit Condensate Piping Connections.....	14
Outdoor Unit Installation.....	14
Placement Considerations.....	14
Direct Sunlight, Rain, Snow and Ice Protection.....	15
Prevailing Winds.....	16
Buried Refrigerant Pipe Protection.....	16
Outdoor Unit Condensate Piping.....	16
Securing the Outdoor Unit.....	17
Refrigerant Piping Connections.....	17
Leak Test and Evacuation.....	19
Leak Test.....	19
Triple Evacuation Procedure.....	20
Wiring Connections.....	20
Outdoor Unit.....	20
Indoor Unit.....	20
Unit Start-Up.....	28
Adding Refrigerant for Longer Line Set.....	29
Troubleshooting.....	29
I-Clean Feature.....	30
Test Run.....	31
Pre-Checks.....	31
Procedure.....	31
Double-Check Pipe Connections.....	31
If Ambient Temperature is below 60°F (16°C).....	31
Dry Mode Operation (Dehumidification).....	31
Procedure.....	31
Sequence of Operation.....	31
Humidity Control.....	32
Intelligent Eye Function.....	32

THIS MANUAL MUST BE LEFT WITH THE OWNER FOR FUTURE REFERENCE

! WARNING

Improper installation, adjustment, alteration, service or maintenance can cause property damage, personal injury or loss of life.

Installation and service must be performed by a licensed professional HVAC installer (or equivalent) or a service agency.

! WARNING

The clean Air Act of 1990 bans the intentional venting of refrigerant (CFCs, HCFCs, and HFCs) as of July, 1992. Approved methods of recovery, recycling or reclaiming must be followed. Fines and/or incarceration may be levied for non-compliance.

! CAUTION

As with any mechanical equipment, contact with sharp sheet metal edges can result in personal injury. Take care while handling this equipment and wear gloves and protective clothing.

General

These instructions are intended as a general guide and do not supersede local or national codes in any way. Authorities having jurisdiction should be consulted before installation.


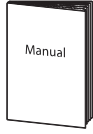
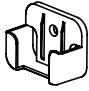
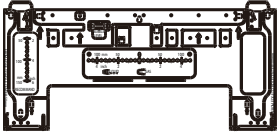
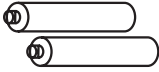
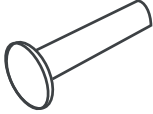
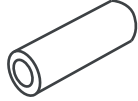
The MWMC wall-mounted indoor units are matched with an outdoor heat pump unit to create a mini-split system that uses HFC-410A refrigerant.

Included Parts

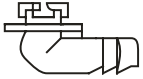

Package 1 of 1 contains the following:

1 - Assembled Indoor Unit

The assembled indoor unit will include the following items:

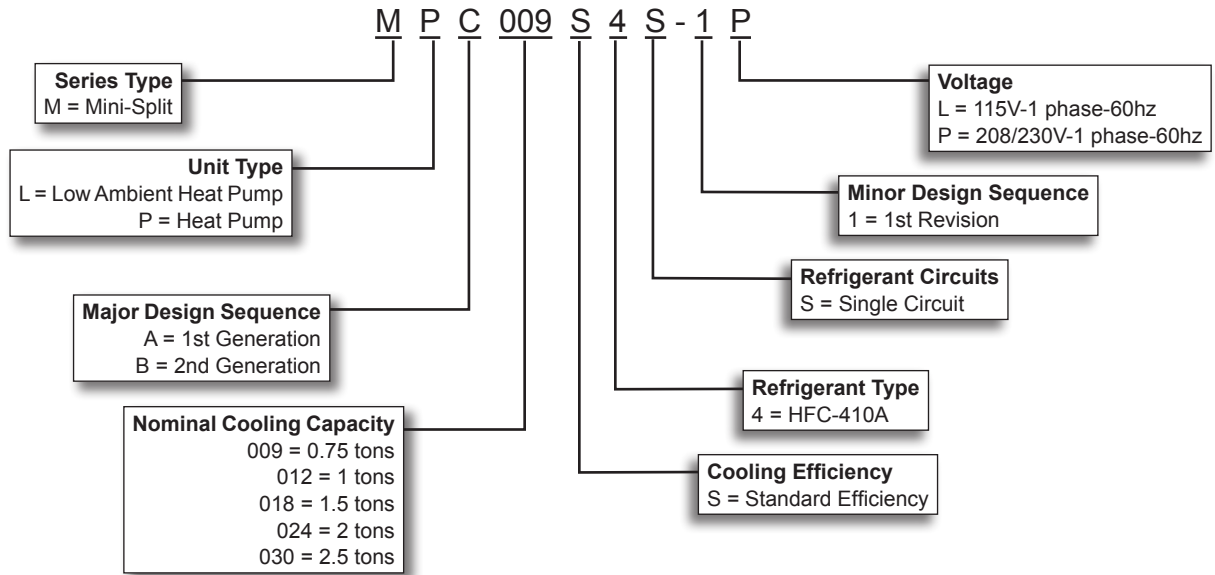
Parts	Figure	Quantity	Parts	Figure	Quantity
M0STAT60Q-1 Wireless controller		1	Installation and owner's manual		1 ea.
Wireless control holder with 2 mounting screws		1	Mounting plate		1
Batteries (AAA)		2	Mounting plate securing screws		5
			Plastic screw anchors		5

1 - Assembled Outdoor Unit and the following items:

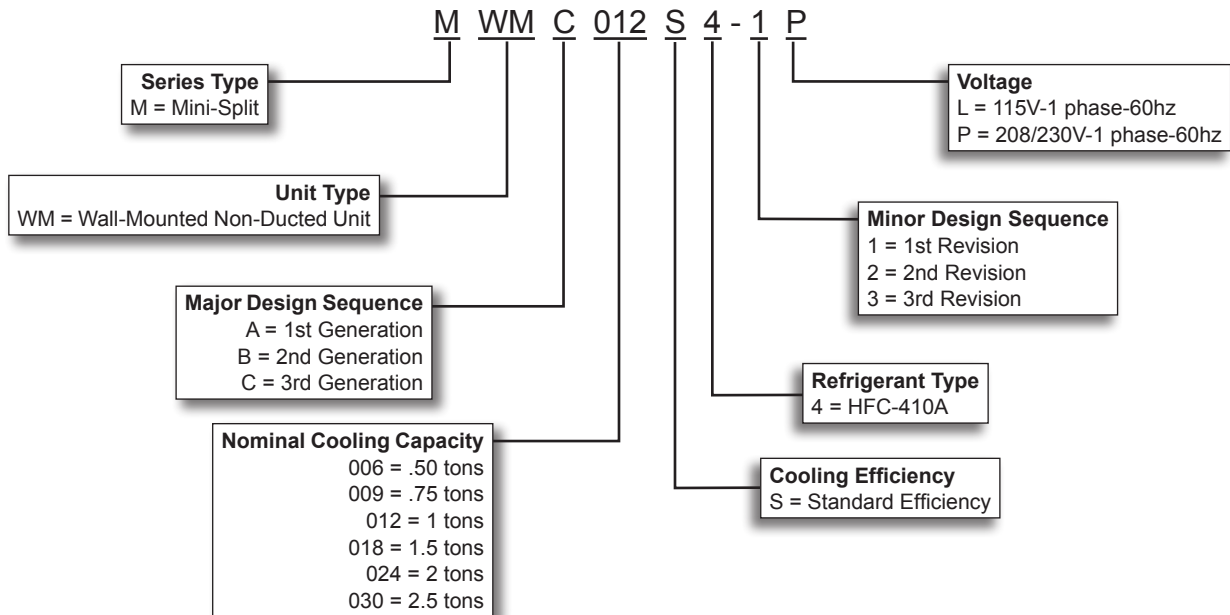
Parts	Figure	Quantity	Parts	Figure	Quantity
Drain connector		1	Seal ring		1

Model Number Identification

OUTDOOR SINGLE ZONE HEAT PUMP UNITS



WALL-MOUNTED INDOOR UNITS



Indoor / Outdoor Unit Match-Ups

Table 1. Unit Match-Ups		
Outdoor Unit	Indoor Unit	Voltage
MPC012S4S-*L	MWMC12S4-*L	115V
MPC009S4S-*P	MWMC006S4-*P	208/230V
	MWMC009S4-*P	208/230V
MPC012S4S-*P	MWMC012S4-*P	208/230V
MPC018S4S-*P	MWMC018S4-*P	208/230V
MPC024S4S-*P	MWMC024S4-*P	208/230V
MPC030S4S-*P	MWMC030S4-*P	208/230V
MLB009S4S-*P	MWMC009S4-3P	208/230V
MLB012S4S-*P	MWMC012S4-3P	208/230V
MLB018S4S-*P	MWMC018S4-2P	208/230V
MLB024S4S-*P	MWMC024S4-2P	208/230V

System Dimensions

Outdoor Units

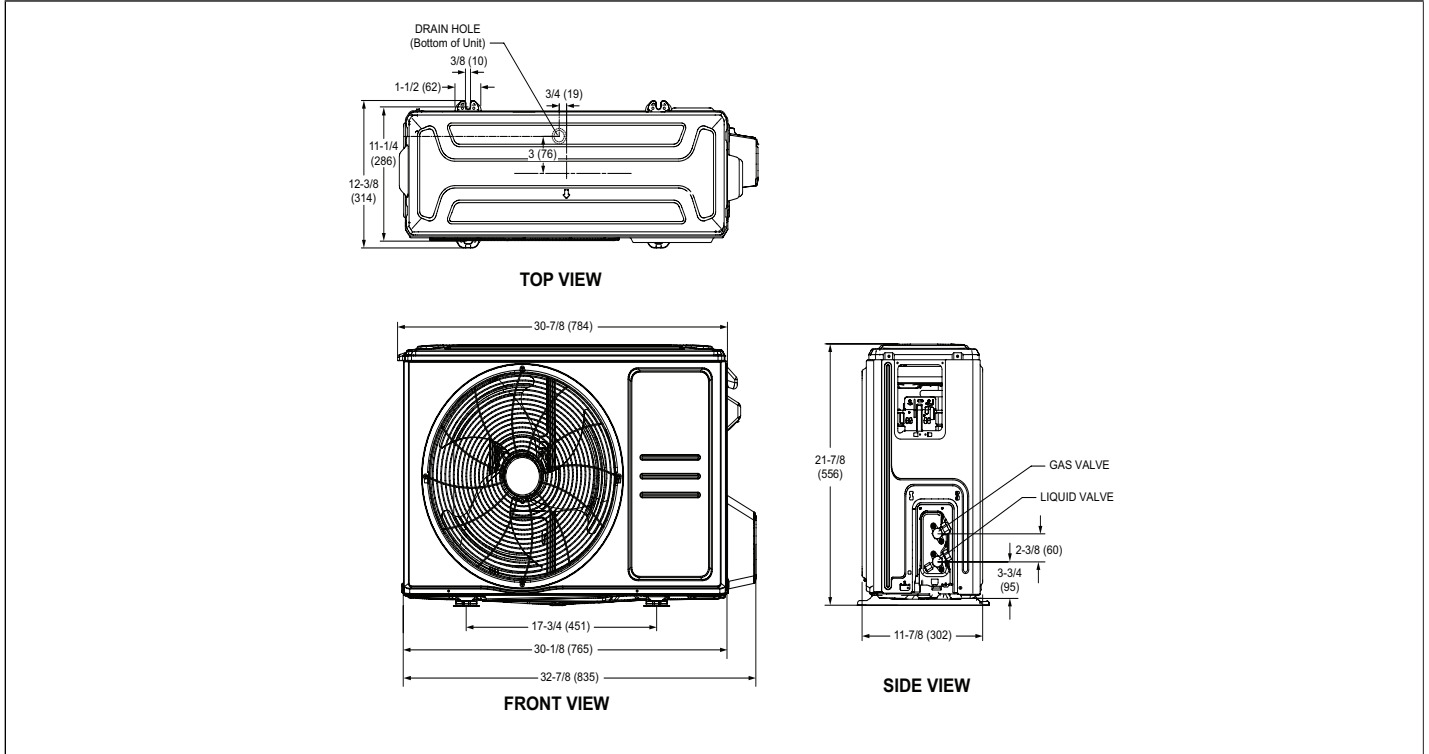


Figure 1. 115V - MPC012S4S Outdoor Unit Dimensions - Inches (mm)

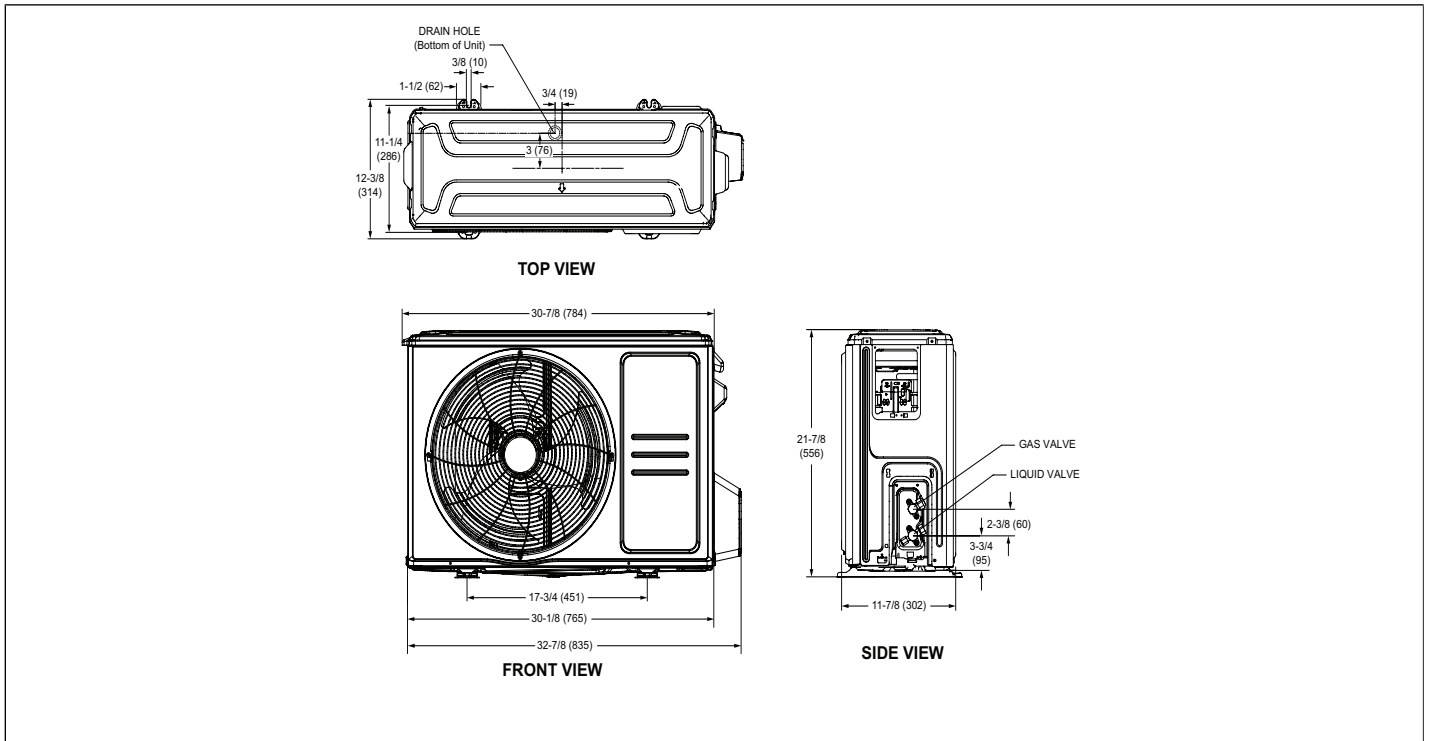


Figure 2. 208/230V - MPC006S4S, MPC009S4S and MPC012S4S Outdoor Unit Dimensions - Inches (mm)

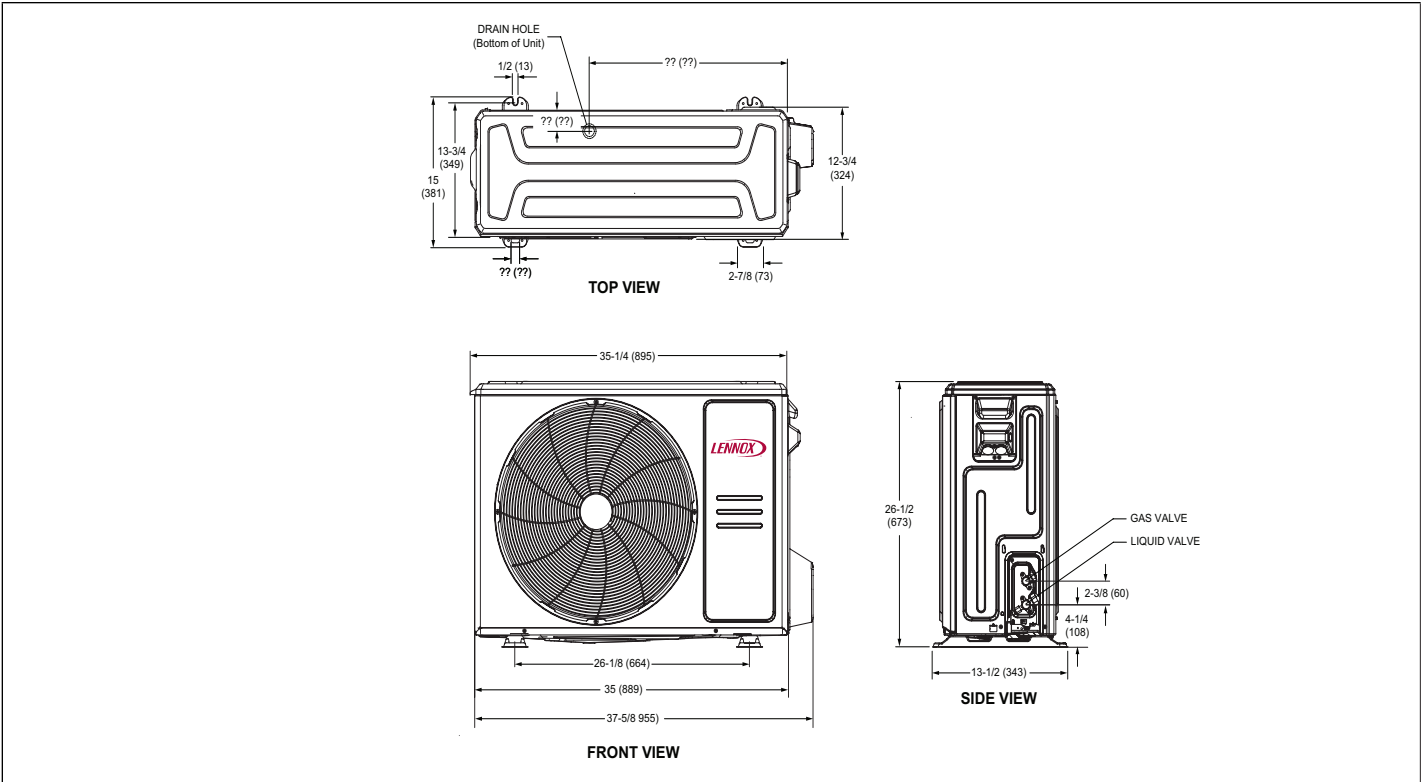


Figure 3. MPC018S4S Outdoor Unit Dimensions - Inches (mm)

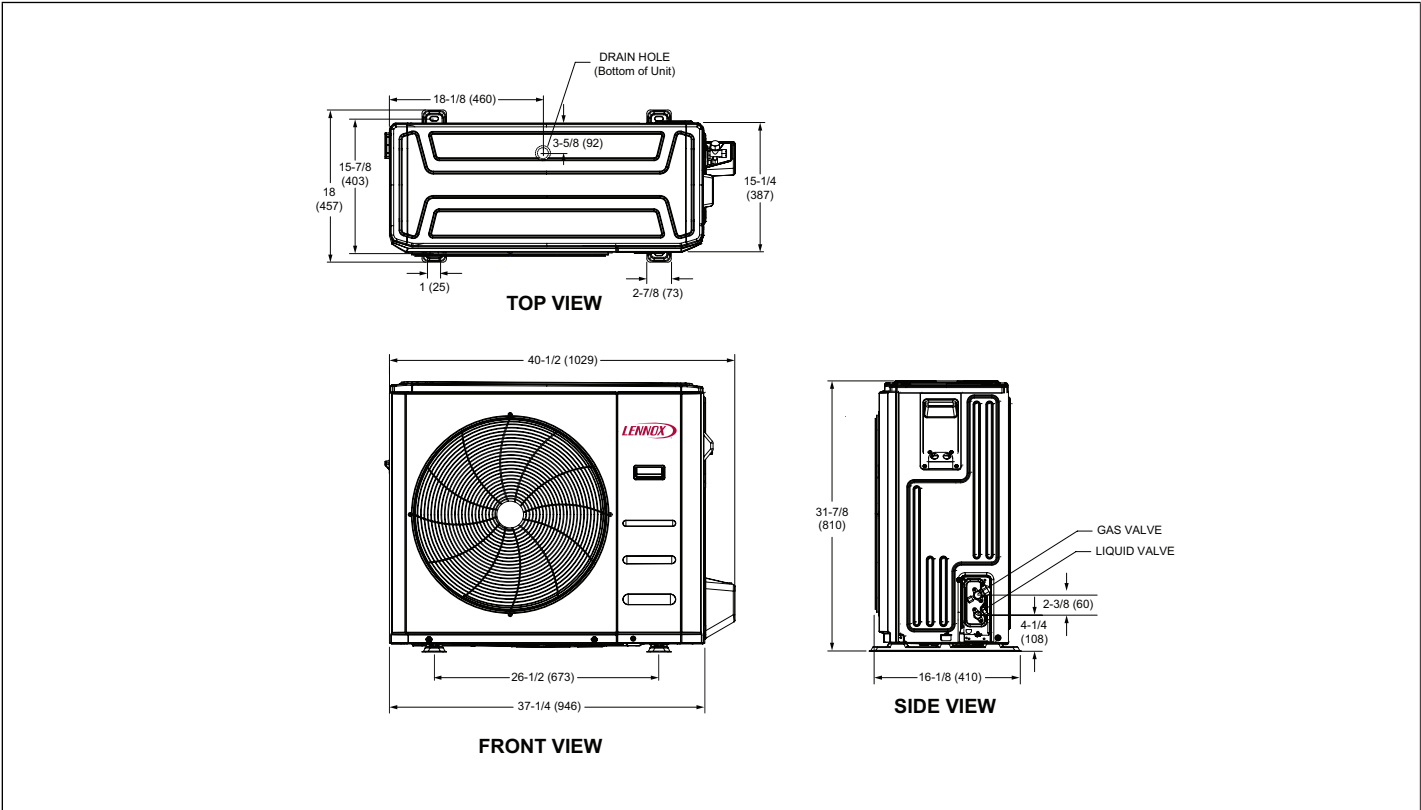


Figure 4. MPC024S4S Outdoor Unit Dimensions - Inches (mm)

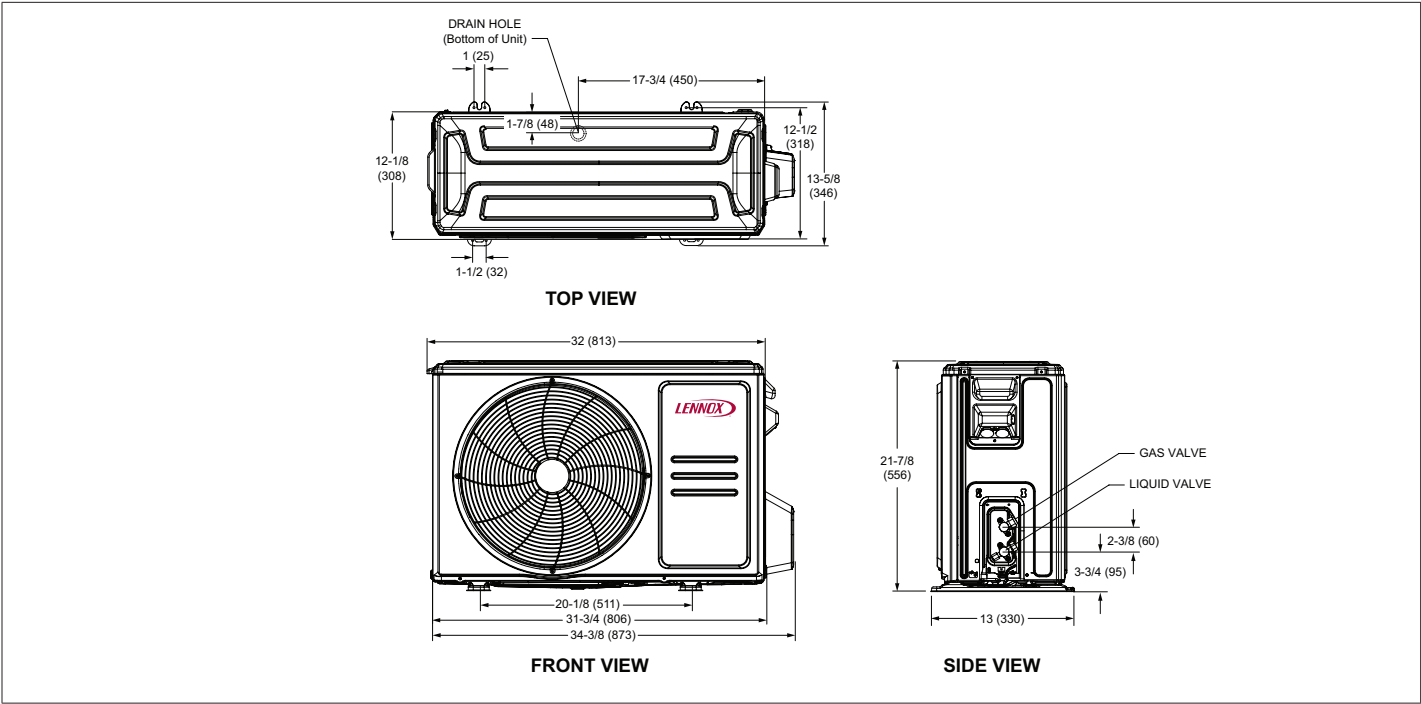


Figure 5. MLB009S4S and MLB012S4S Outdoor Unit Dimensions - Inches (mm)

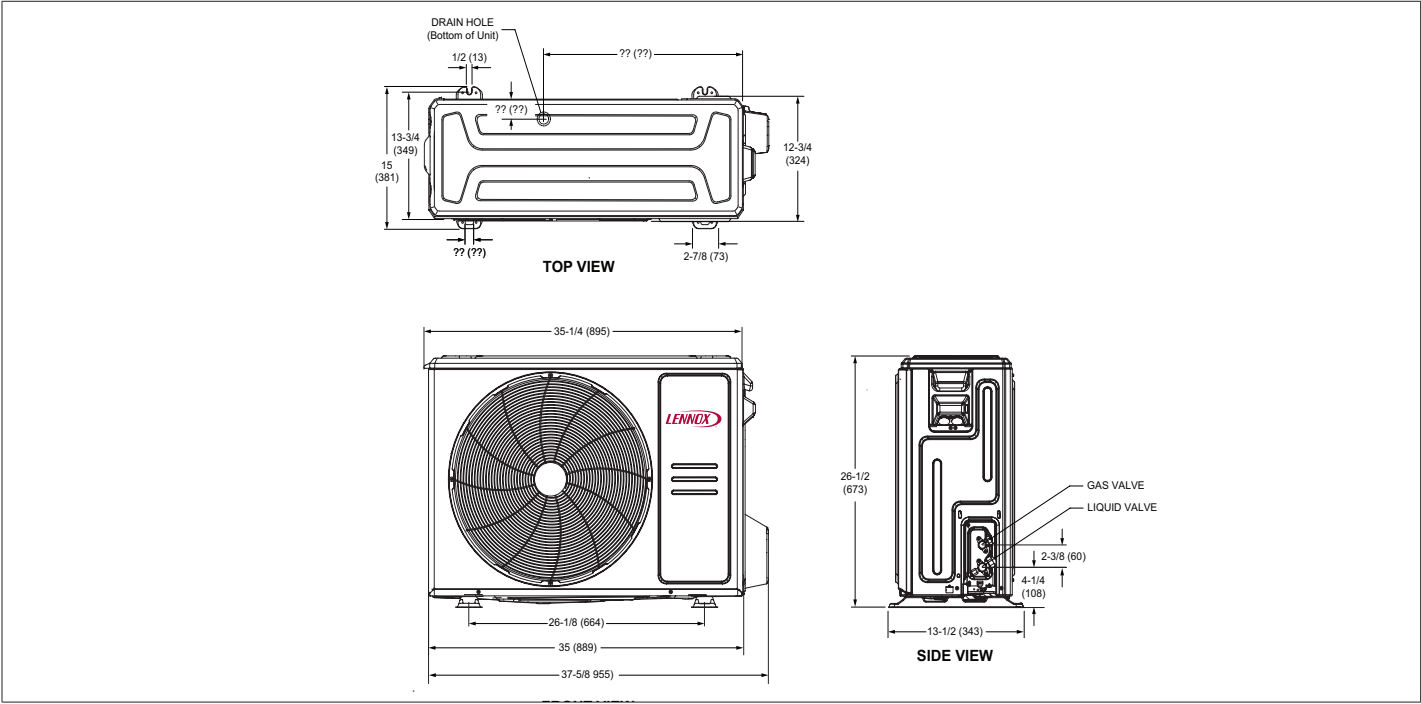


Figure 6. MLB018S4S Outdoor Unit Dimensions - Inches (mm)

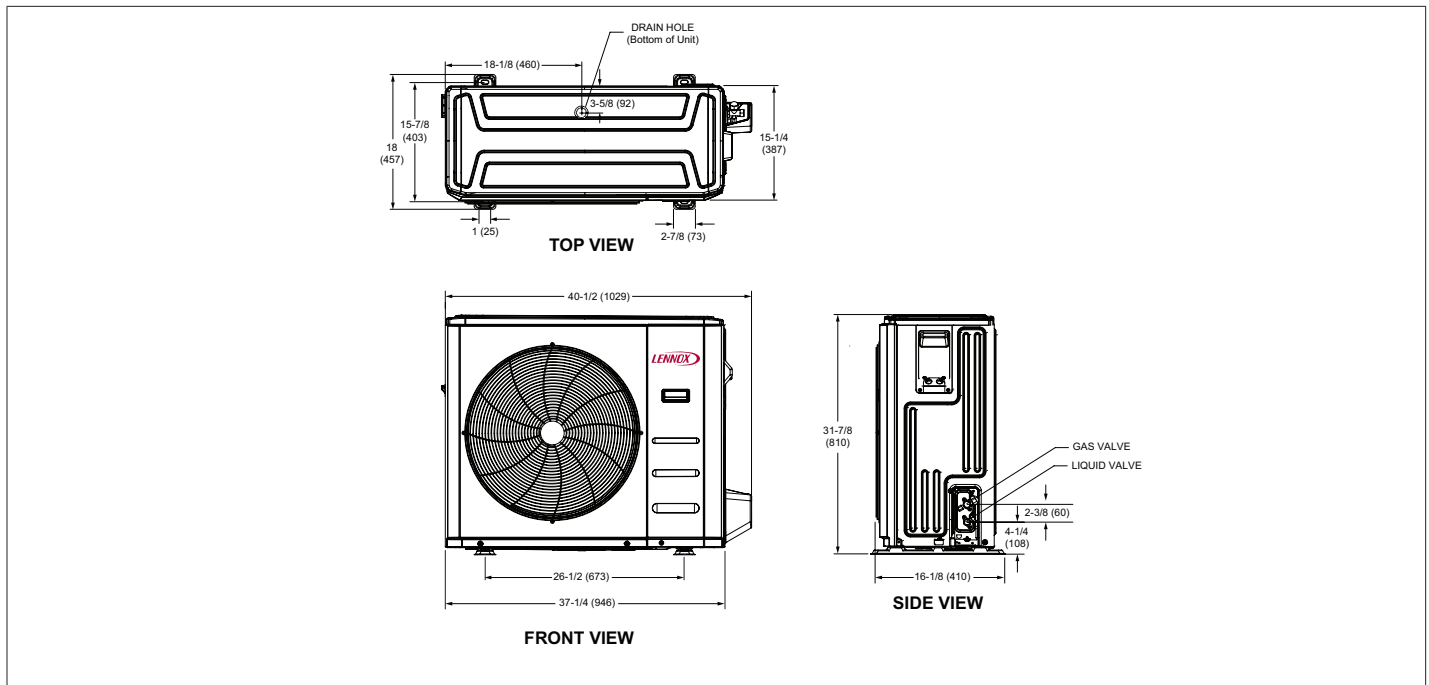
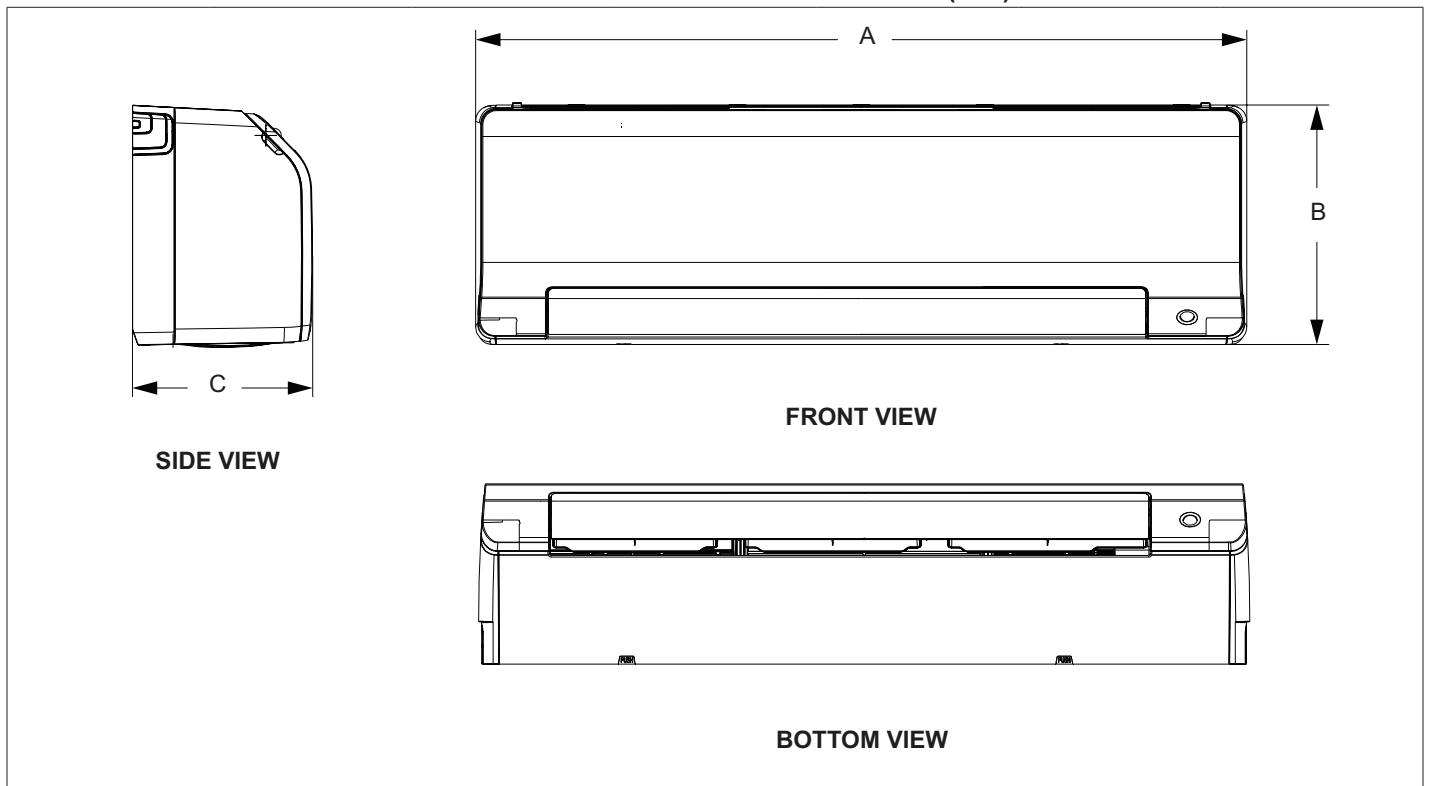


Figure 7. MLB024S4S Outdoor Unit Dimensions - Inches (mm)

Indoor Units

Table 2. Indoor Unit Dimensions - Inches (mm)



Size	A		B		C	
	in.	mm	in.	mm	in.	mm
MWMC006, 009, 012	33-3/8	848	11-3/4	298	9	229
MWMC018	40	1016	12-1/2	316	9-1/2	241
MWMC024, 030	46-7/8	1191	14-5/8	371	11	279

Wall Mounting Plates

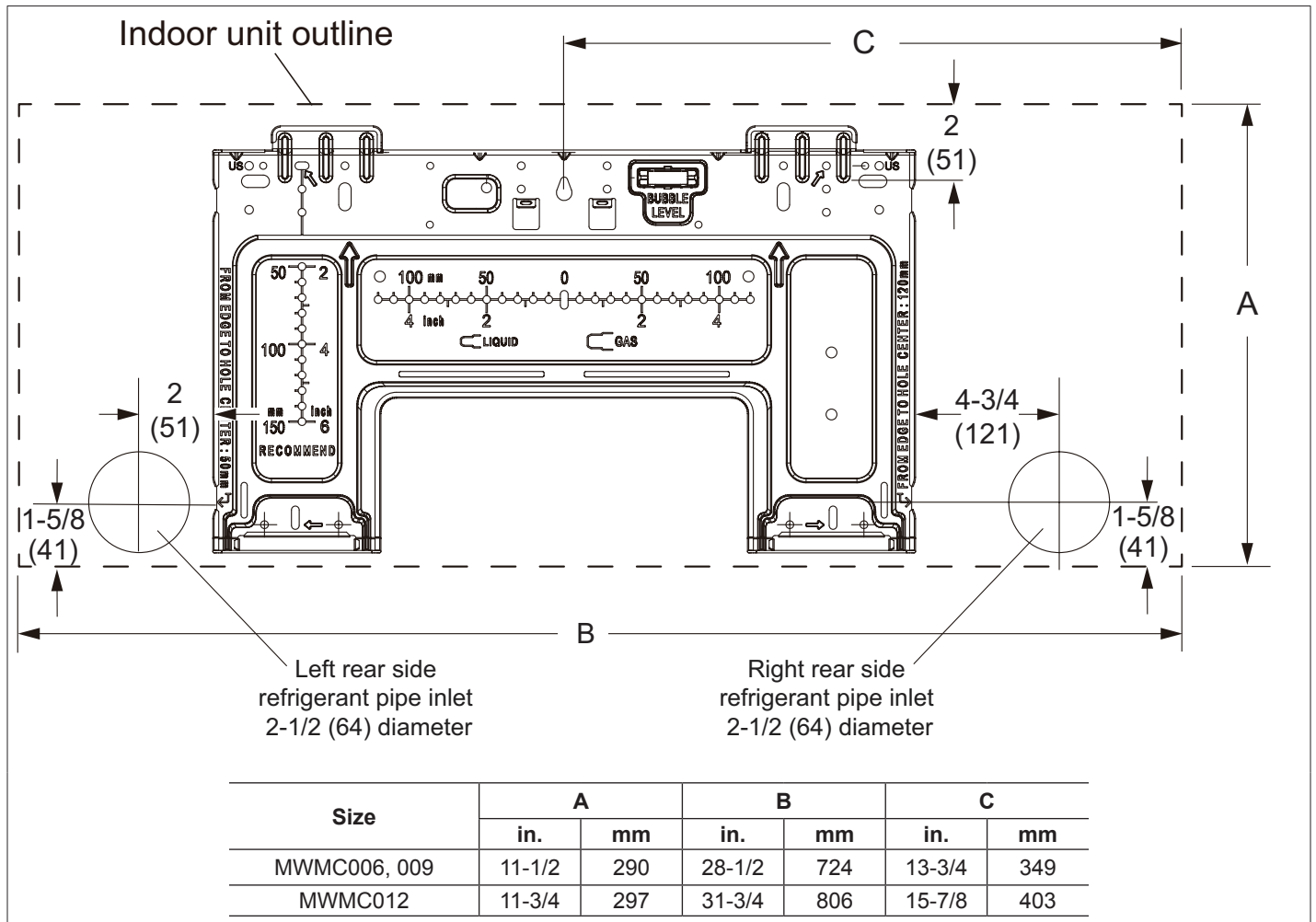


Figure 8. MWMC06S4S, MWMC09S4S and MWMC012S4S Indoor Unit Wall Plate Dimensions - Inches (mm)

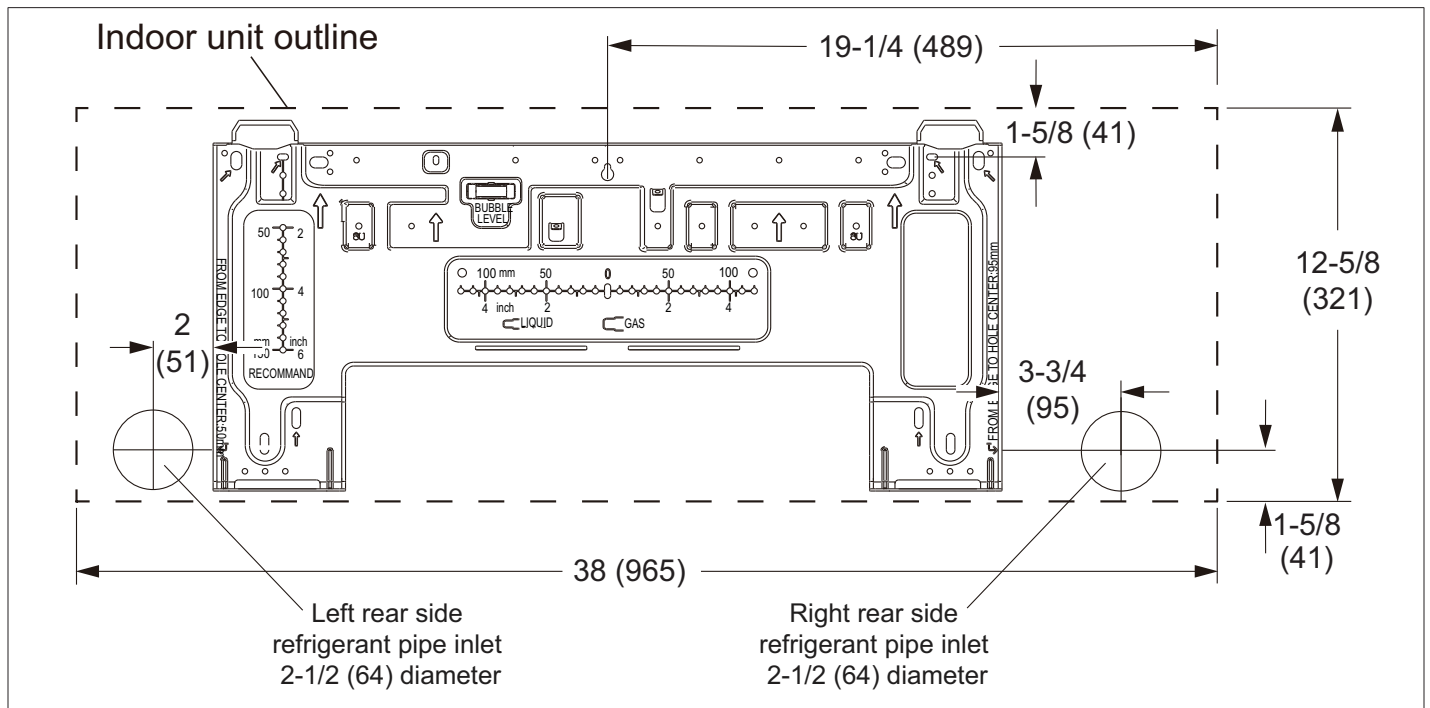


Figure 9. MWMC018S4S Indoor Unit Wall Plate Dimensions - Inches (mm)

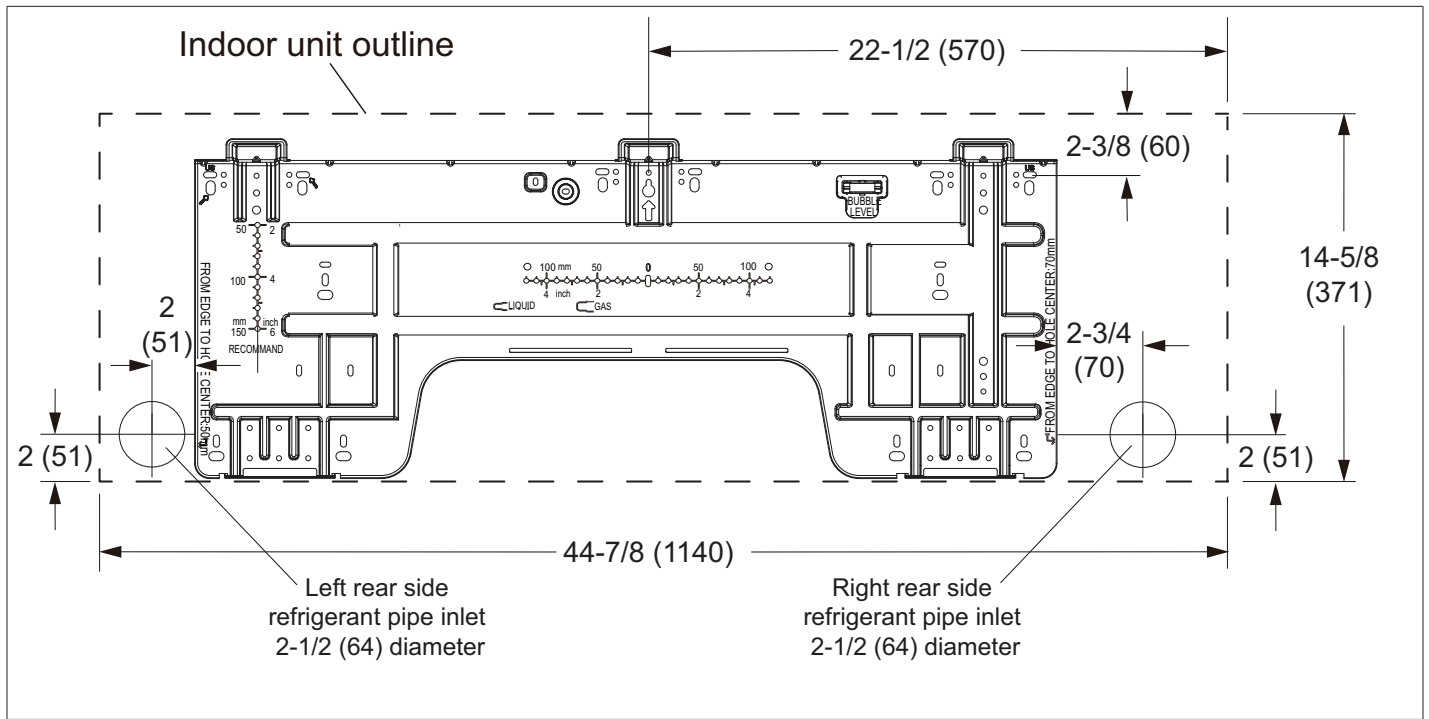


Figure 10. MWMC024S4S and MWMC030S4S Indoor Unit Wall Plate Dimensions - Inches (mm)

System Clearances

Outdoor Unit

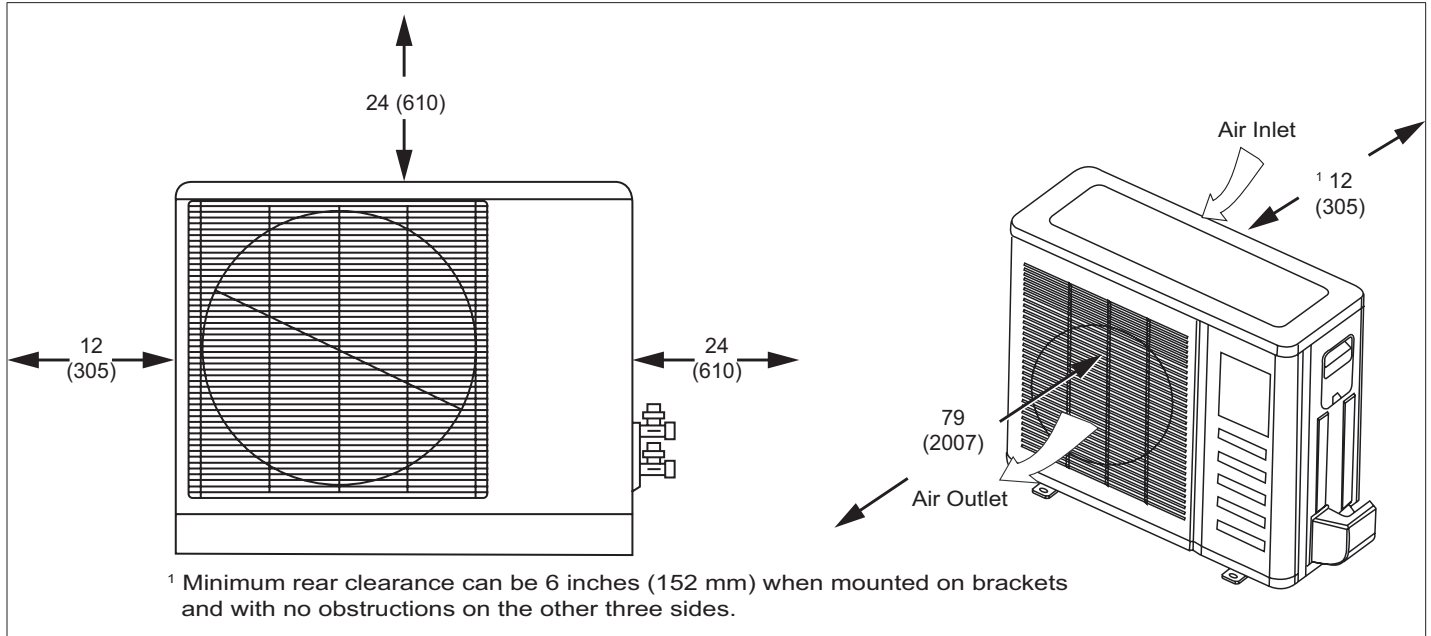


Figure 11. Outdoor Unit Clearances - Inches (mm)

Indoor Unit

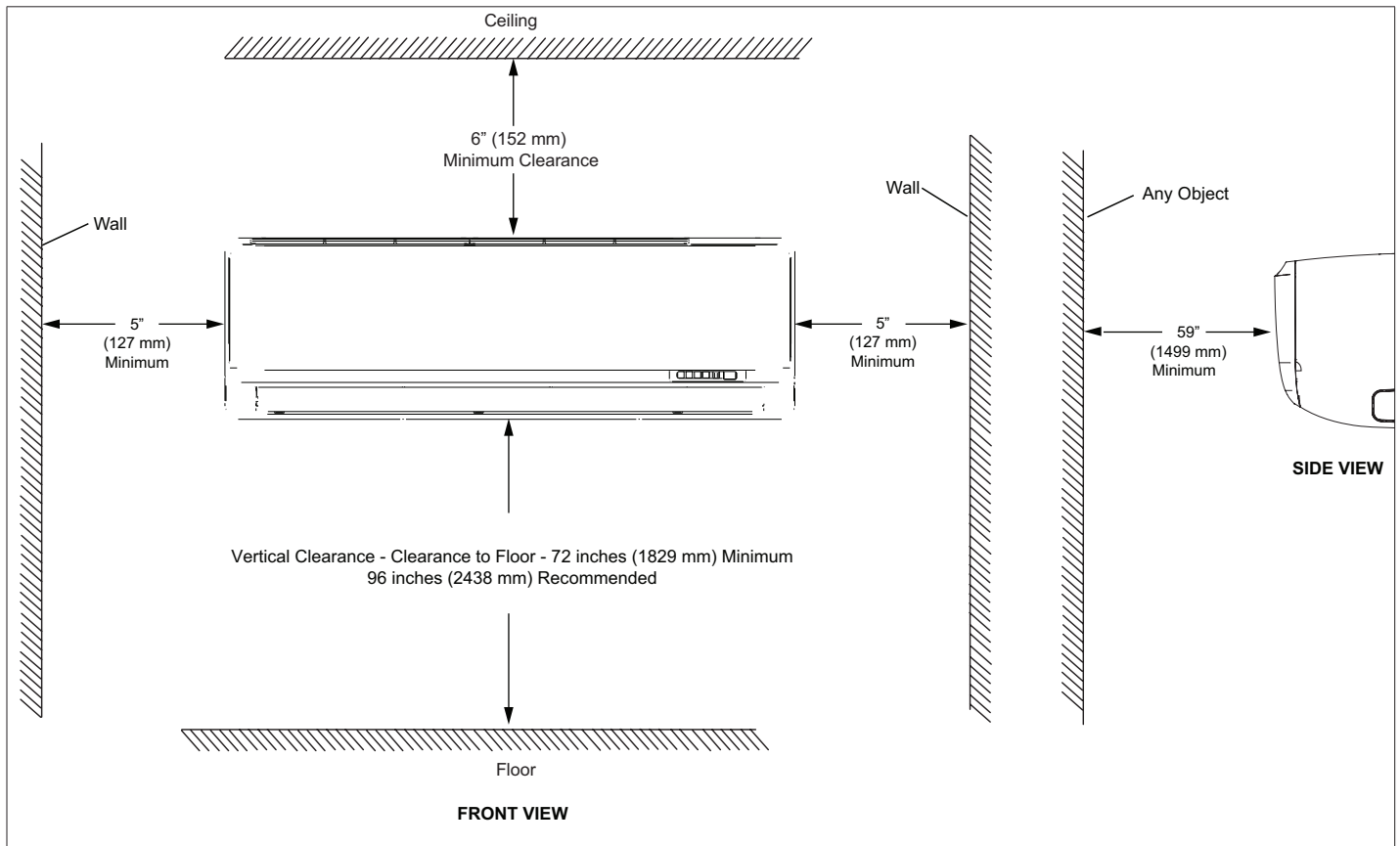


Figure 12. Indoor Unit Clearances - Inches (mm)

Torque Requirements for Caps and Fasteners

When servicing or repairing HVAC components, ensure the fasteners are appropriately tightened. "Table 3. Torque Requirements" on page 12 provides torque values for fasteners.

IMPORTANT

Only use Allen wrenches of sufficient hardness (50Rc - Rockwell scale minimum). Fully insert the wrench into the valve stem recess.

Service valve stems are factory-torqued from 9 ft.-lbs. (12 N*m) for small valves, to 25 ft.-lbs. (34 N) for large valves) to prevent refrigerant loss during shipping and handling. Using an Allen wrench rated at less than 50Rc risks rounding or breaking off the wrench, or stripping the valve stem recess.

See the Lennox Service and Application Notes C-08-1 for further details and information.

Table 3. Torque Requirements

Parts	Recommended Torque	
	U.S.	Newton-Meter- N
Service valve cap	8 ft.-lb.	11
Sheet metal screws	16 in.-lb.	2
Machine screws #10	27 in.-lb.	3
Compressor bolts	7 ft.-lb.	10
Gauge port seal cap	8 ft.-lb.	11

Indoor Unit Installation

! CAUTION

In order to avoid injury, take proper precaution when lifting heavy objects.

Unit Placement Considerations

AVOID

Do not install the unit in the following locations:

- Areas exposed to petrochemicals or petrochemical products
- Areas exposed to salt or other corrosive materials or caustic gases
- Areas exposed to extreme voltage variations (such as factories)
- Tightly enclosed areas that may impede service of the unit
- Areas exposed to fossil fuels (such as oil or gas in kitchens)
- Areas exposed to strong electromagnetic forces
- Areas exposed to acids or alkaline detergents

DO

- Place the unit so that it is not exposed to direct sunlight
- Ensure the structural ceiling can support the weight of the unit
- Select a location where condensate line will have the shortest run to a suitable drain per local codes
- Allow sufficient space around unit for proper operation and maintenance
- Install unit a minimum of 3 feet (1m) away from any antenna, power cord (line) radio, telephone, security system, or intercom. Electrical interference and radio frequencies from any of these sources may affect operation
- Be sure to instruct customers how to properly operate the unit (especially maintenance of air filter, and operation procedure) by having them carry out operations themselves while looking at the manual provided with the controller

Determining Wall Mounting Plate Location

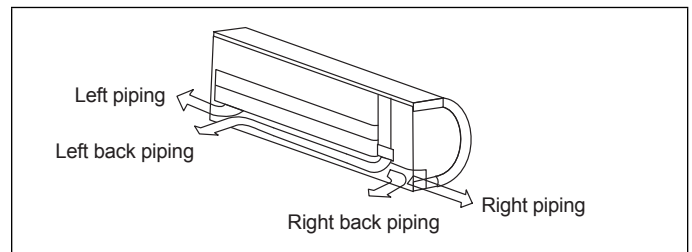


Figure 13. Determining Exit Locations

1. Remove the wall mounting plate from the back of the indoor unit.
2. Determine the best exit location for utility bundle (line set, condensate line and wiring). See the following section concerning wall sleeve installation instructions.
3. Position the wall mounting plate on the wall so that, when installed, the unit will be at least 6 inches (152 mm) from the ceiling and 5 inches (127 mm) from the wall on either side. The wall mounting plate must be level side-to-side.
4. Use the wall mounting plate as a template to determine the exit point for utility bundle. Mark the wall to facilitate drilling hole for utility bundle.

Installation of Wall Mounting Plate

Install the wall mounting plate (see “Figure 9. MWMC018S4S Indoor Unit Wall Plate Dimensions - Inches (mm)” on page 9) so that it is correctly positioned horizontally and vertically. The indoor unit must be installed level on the wall to allow proper condensate drainage.

1. Use a carpenter’s level or measuring tape to verify the wall mounting plate is horizontally level.
2. Secure the wall mounting plate to the wall using the provided screws and screw anchors.

NOTE: It is important to use all screws provided to secure the wall mounting plate to the wall. Additional holes may be drilled through the metal wall mounting plate to better secure wall plate. Field-provided anchors/fixings may be required depending on wall construction. Use the appropriate type of anchors for the application.

3. The wall mounting plate must be installed flush against the wall so that the indoor unit will be flush after installation. Any space between the wall and unit will cause noise and vibration.
4. The wall mounting plate must be installed horizontally level on the wall.

Installation of Wall Sleeve

The utility bundle may be routed out of the back of the unit or out either side. If the bundle is to be routed out the back through an external wall, use a field-provided wall sleeve to protect the utility bundle.

NOTE: If the utility bundle will be routed out the side of the indoor unit and up the wall above a false ceiling, continue to the next section.

1. Prior to making the hole and installing the wall sleeve for the utility bundle, check to ensure that there are no other utilities located in the wall behind the hole location.
2. Cut a hole in the wall using a suitable hole saw. Hole should be at a slight downward slant - 3/16” to 3/8” toward the outdoor side.
3. Measure the thickness of the wall from the inside edge to the outside edge and cut the field-provided wall sleeve at a slight angle 1/4” (6 mm) shorter than the thickness of the wall.

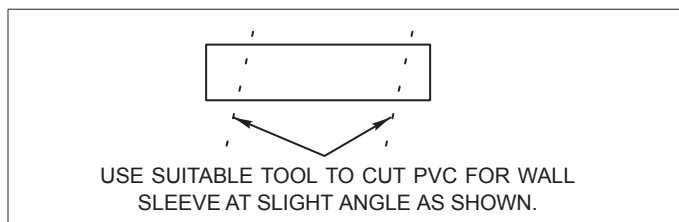


Figure 14. Boring Hole for Wall Sleeve

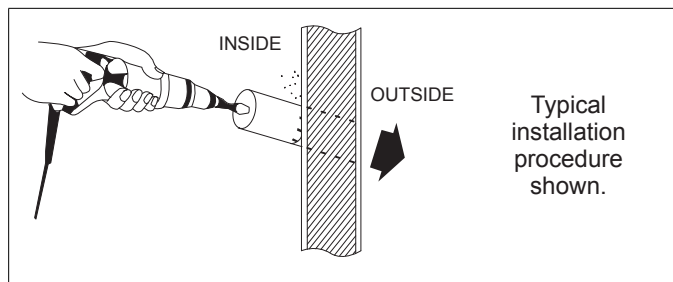


Figure 15. PVC Wall Sleeve Installation

NOTE: When passing bundled services through an exterior brick or concrete wall, protect the copper pipes and wiring from the effects of these construction materials by using a sleeve made of suitable material. The integrity of copper pipe and wiring can deteriorate when exposed to these construction materials.

Installation of Indoor Unit on Wall Mounting Plate

1. A length of field-provided flexible condensate piping should be connected to the drain prior to securing the unit to the wall mounting plate.
2. If the factory-provided refrigerant piping connections and field-provided flexible condensate piping are long enough to enable final field connections after unit is installed on wall mounting plate, use field-provided tape to bundle them together.
3. The utility bundle may be routed out of the back of the unit or out either side. If the bundle is to be routed out the back through an external wall, feed the utility bundle through the wall sleeve. If the utility bundle is to be routed out of the side of the indoor unit and up an inside wall, carefully form the utility bundle so that it makes a gentle 90° turn.
4. Align the back of the indoor unit with the hooks at the top of the wall mounting plate. Move the unit from side to side to make sure that it settles securely.
5. The bottom of the unit can be lifted to facilitate refrigerant piping and condensate drain connections, if necessary.

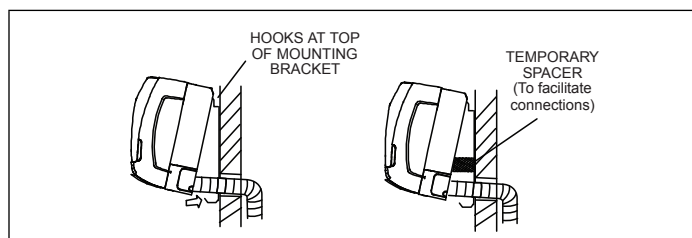


Figure 16. Secure Unit to Wall Mounting Plate

Indoor Unit Condensate Piping Connections

IMPORTANT

Make sure that drain piping is properly routed and insulated to prevent both leaks and condensation.

1. Use a field-provided hose clamp to secure the drain line stub on the side of the cabinet to a field-supplied 1-inch (25 mm) drain line.

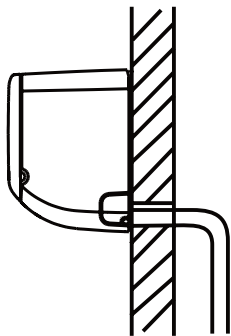
NOTE: Take care not to over-tighten the hose clamps this may damage the drain line stub.

NOTE: Connection between stub and drain line must be watertight. Apply non hardening plumbing joint compound if needed to ensure a watertight seal.

2. Confirm proper slope (not less than 1/4 inch per foot (18 mm per m)) and routing of condensate lines to ensure moisture is drained away from the indoor unit.
3. Drain should be as short as possible and should not have any droops or kinks that would restrict condensate flow and shall be approved resistant pipe. There must be a 2-inch (51 mm) space between the end of the condensate drain and the final termination point (ground, open drain, etc.) to ensure that the line will drain freely.
4. After the system installation is complete, the condensate drain line must be checked for leaks and proper drainage. If a field-provided condensate pump has been installed, it must be checked to ensure proper operation. This check is part of the start-up process which must be done by the installing contractor.

IMPORTANT

Drain should have a slope of at least 1/4 inch per foot and should be approved corrosion-resistant pipe. You must confirm operation of every drain and pump in the system as part of the commissioning procedure.



CORRECT
Make sure there are no kinks or dent in drain hose to ensure proper drainage.

Figure 17. Condensate Line

Outdoor Unit Installation

CAUTION

In order to avoid injury, take proper precaution when lifting heavy objects.

Placement Considerations

Consider the following when positioning the unit:

- In coastal areas or other places with salty atmosphere of sulfate gas, corrosion may shorten the life of the unit. In coastal areas, the coil should be cleaned with potable water several times per year to avoid corrosive buildup (salt)
- Some localities are adopting sound ordinances based on the unit's sound level registered from the adjacent property, not from the property where the unit is installed. Install the unit as far as possible from the property line
- When possible, do not install the unit directly outside a window. Glass has a very high level of sound transmission
- Install unit level

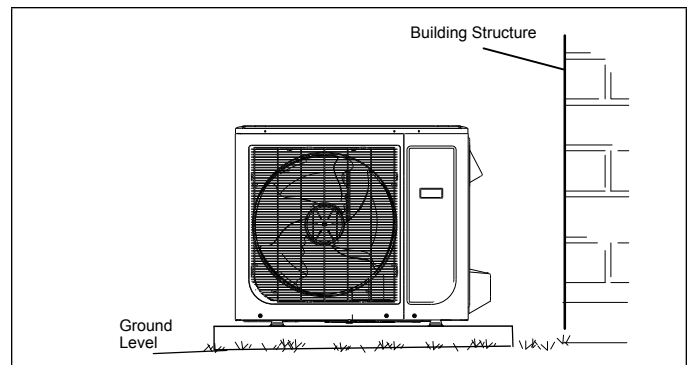


Figure 18. Install Unit Level

- Choose a place solid enough to bear the weight and vibration of the unit, where the operation noise will not be amplified
- Choose a location where the hot air discharged from the unit or the operation noise will not be a nuisance to neighbors
- Avoid installing the outdoor unit near a bedroom or other places where noise may cause a problem
- There must be sufficient space to carry the unit into and out of the site
- There must be unobstructed air flow around the air inlet and the air outlet
- The unit must not be installed in areas where a flammable gas leak may occur
- Install the outdoor unit a minimum of 3 feet (1m) away from any antenna, power cord (line), radio, telephone, security system, or intercom. Electrical interference and radio frequencies from any of these sources may affect operation
- Since water drains from the outdoor unit during various stages of operation, do not place anything which may be damaged by moisture under the unit

Direct Sunlight, Rain, Snow and Ice Protection

- If the outdoor unit is subjected to prolong exposure to direct sunlight with temperatures over 100°F (38°C) a canopy is recommended as illustrated in “Figure 19. Outdoor Unit on Pedestal and Protective Canopy” or “Figure 24. Dog House-Style Shelter” on page 16

IMPORTANT

The construction of a canopy or shade is necessary because of an ambient limit control set to 122°F (50°C) to protect the electronics. If the outdoor unit is placed in direct sunlight it is possible that the limit may activate and shut down the unit.

- Place unit away from overhanging roof lines which would allow water or ice to drop on, or in front of, coil or into unit. Construct a canopy as illustrated in “Figure 19. Outdoor Unit on Pedestal and Protective Canopy”
- The unit base should be elevated above the depth of average snows as illustrated in “Figure 20. Outdoor Unit on Brackets above Snow Line”
- In heavy snow areas, do not place the unit where drifting will occur as illustrated in “Figure 21. Outdoor Unit Air Flow Obstructed by Snow”
- Carefully consider how to manage defrost water disposal to prevent ice from blocking walkways or creating a safety hazard near the outdoor unit as illustrated in “Figure 22. Avoid Defrost Water Ice Hazard”

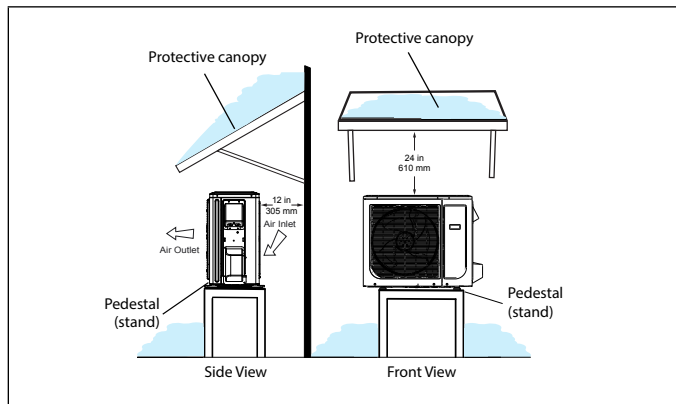


Figure 19. Outdoor Unit on Pedestal and Protective Canopy

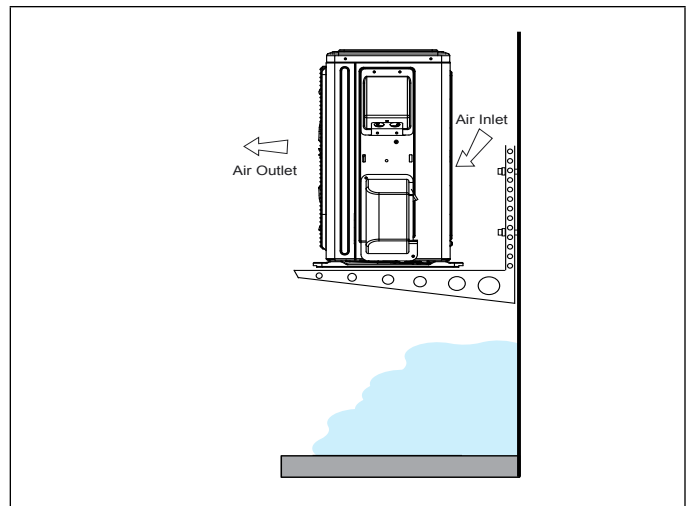


Figure 20. Outdoor Unit on Brackets above Snow Line

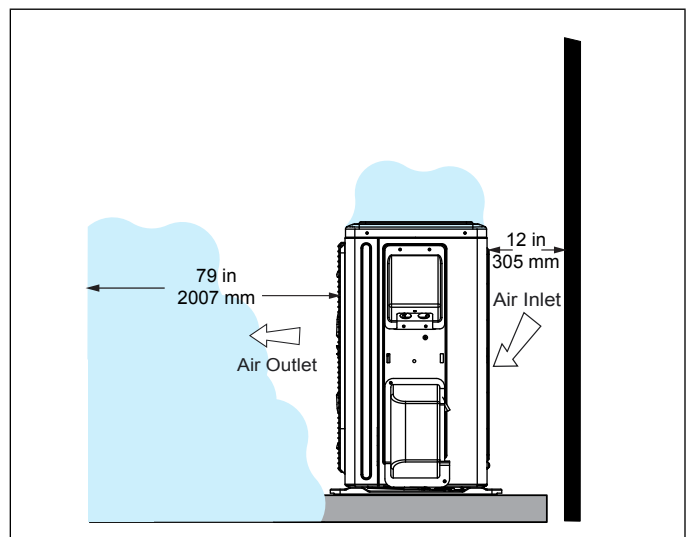


Figure 21. Outdoor Unit Air Flow Obstructed by Snow

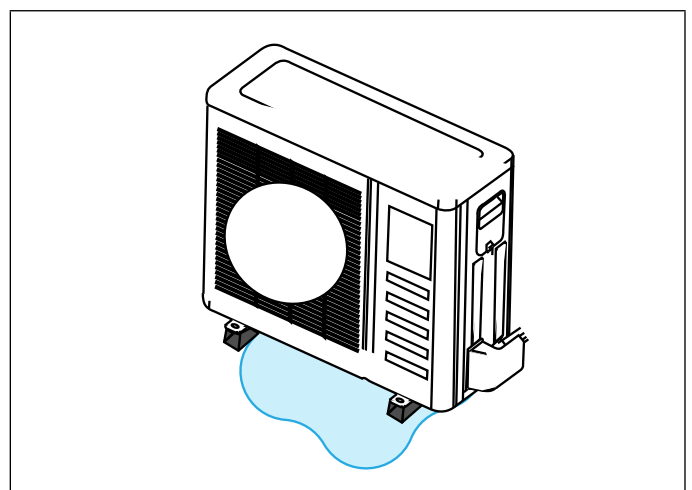


Figure 22. Avoid Defrost Water Ice Hazard

Prevailing Winds

Normally wind baffles are not required for a outdoor unit. However, in order to maximize reliability and performance, the following best practices should be followed.

If unit coil cannot be installed away from prevailing winter winds, some method of protecting the coil is recommended. However, minimum clearances as reference in “Figure 11. Outdoor Unit Clearances - Inches (mm)” on page 11 must be observed at all times.

Common application examples are:

- When prevailing winds are from the air inlet side, then position the wind barrier a minimum of 12 inches (305 mm) from the unit as illustrated in “Figure 23. Wind Barrier”
- When prevailing wind is into the discharge side, then position the wind barrier a minimum 79 inches (2007 mm) from the front of the unit as illustrated in Figure 14. Wind Barrier”
- Outdoor unit can be installed in a dog house style shelter as illustrated in “Figure 24. Dog House-Style Shelter”
- Outdoor unit can be installed in a alcove or under a roof overhang as illustrated in “Figure 25. Unit Installed in Alcove”

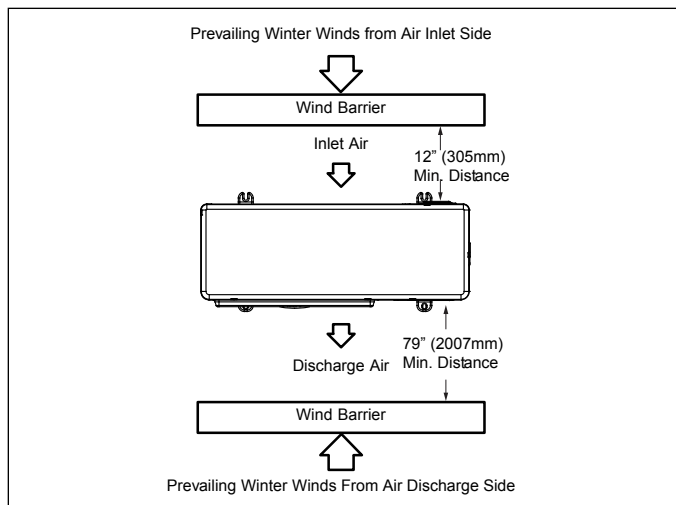


Figure 23. Wind Barrier

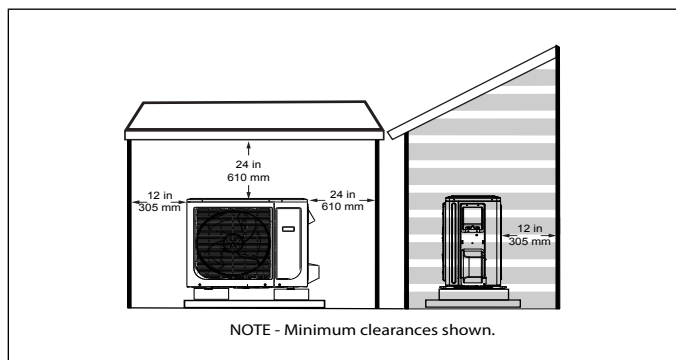


Figure 24. Dog House-Style Shelter

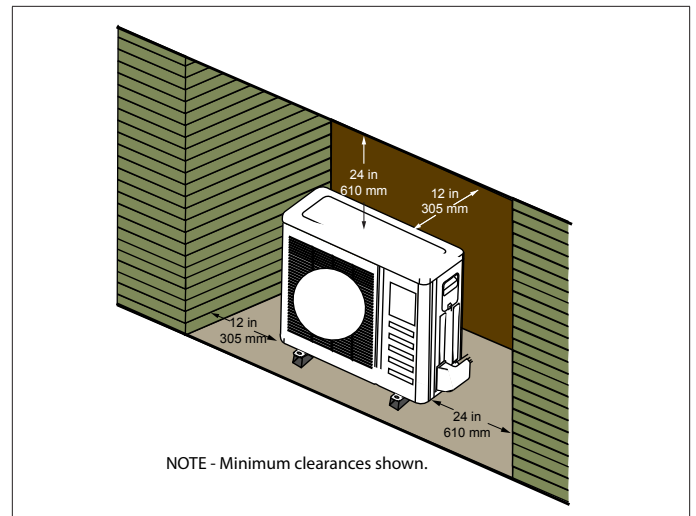


Figure 25. Unit Installed in Alcove

Buried Refrigerant Pipe Protection

- **All** refrigerant lines must be insulated regardless of if it is buried
- In addition to insulating each line of piping, buried lines must rest inside a **sealed, watertight** conduit
- The conduit must be designed so it cannot collect and retain water

Outdoor Unit Condensate Piping

Condensate formed during the heating and defrost processes must be drained from heat pump units. Drain holes are provided in the base of the units to ensure proper drainage. Heat pumps must be raised when installed on a concrete pad or the ground to allow drainage to occur. If the heat pump unit is installed on wall mounting bracket, insert the provided drain connector into one of the 1 inch (25 mm) drain holes and attached a field-provided insulated drain hose to the connector. Use field-provided rubber plugs to cover any unused drain holes as illustrated in “Figure 26. Condensate Drain”.

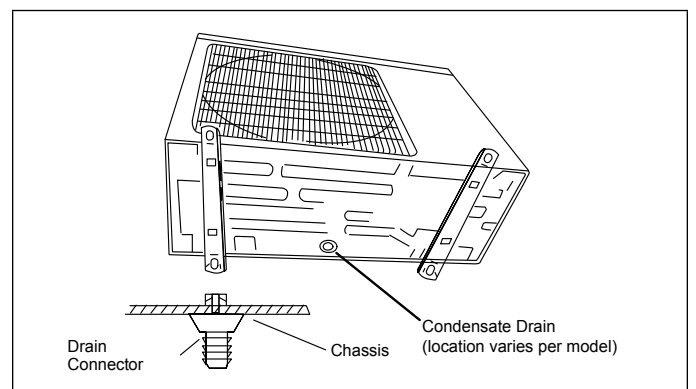


Figure 26. Condensate Drain

Securing the Outdoor Unit

Slab or Roof Mounting

Install the unit a minimum of 4 inches (102 mm) above the roof or ground surface to avoid ice build-up around the unit. Place the unit above a load bearing wall or area of the roof that can adequately support the unit. Consult local codes for rooftop applications.

CAUTION

Roof Damage!

This system contains both refrigerant and oil. Some rubber roofing material may absorb oil. This will cause the rubber to swell when it comes into contact with oil. The rubber will then bubble and could cause leaks. Protect the roof surface to avoid exposure to refrigerant and oil during service and installation. Failure to follow this notice could result in damage to roof surface.

Securing Outdoor Unit to Slab, Frame, or Rails

If the outdoor unit is installed on a field-provided slab or frame, use lag bolts or equivalent to secure the outdoor unit to the slab or frame.

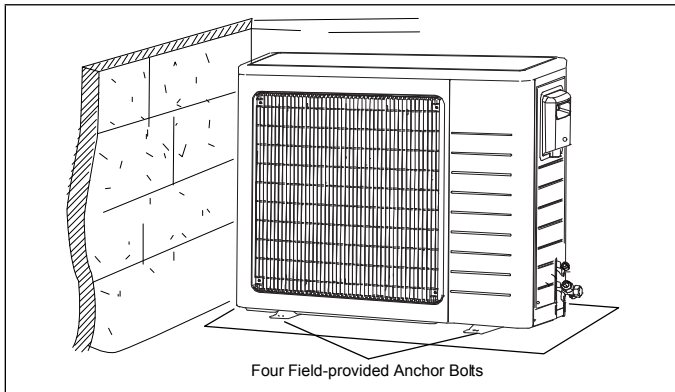


Figure 27. Securing Outdoor Unit to Slab

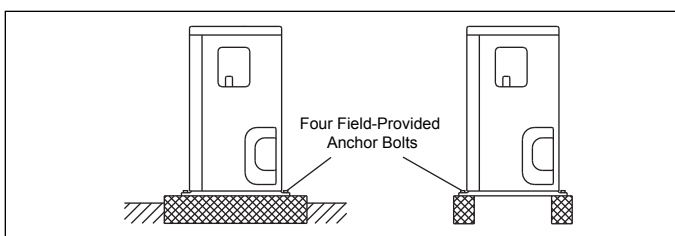


Figure 28. Securing Outdoor Unit to Rails

Securing Outdoor Unit to Hanging Brackets

If the outdoor unit is installed on field-provided wall mounting brackets, use lag bolts or equivalent to secure the outdoor unit to the bracket. Minimum rear clearance can be reduced to 6 inches (152 mm) when mounted on brackets and with no obstructions on the other three sides. Allow for condensate disposal when placing units above one another.

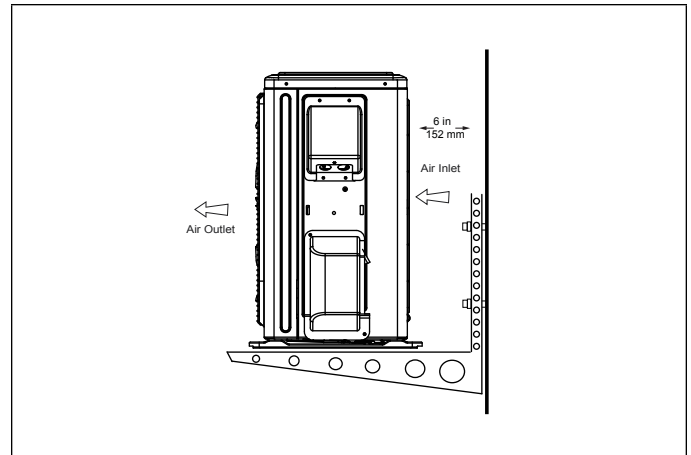


Figure 29. Securing Outdoor Unit to Brackets

Refrigerant Piping Connections

Line sets consists of two copper pipes connecting the outdoor unit to the indoor unit. "Table 5. Refrigerant Piping and Indoor Unit Connection Sizes" on page 18 lists the connection sizes. The connections are made using the provided brass flare nuts at the end of the refrigerant piping connections.

1. Choose the correct pipe sizes for your application using "Table 5. Refrigerant Piping and Indoor Unit Connection Sizes" on page 18.
2. Confirm that you are using the correct diameter piping.
3. Determine the necessary piping length required for the application.
4. Cut the selected pipes with a pipe cutter. Make the cuts flat and smooth as illustrated in "Figure 30. Cutting Piping".

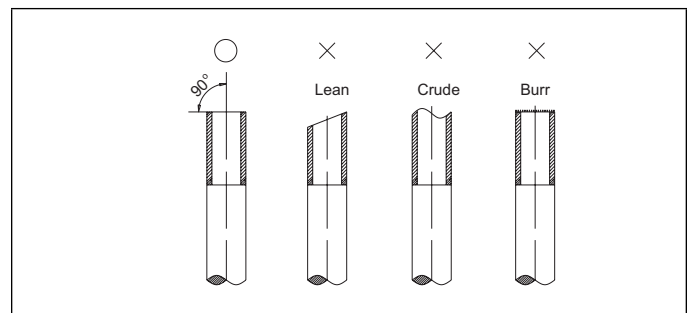


Figure 30. Cutting Piping

5. Insulate the copper piping.
6. Insert a flare nut onto each pipe before flaring.
7. Use "Table 4. Flaring Piping" on page 18 to properly flare the pipe.

Table 4. Flaring Piping

Pipe Diameter	Flare Dimension A (mm)		Flare Shape
	Min	Max	
1/4" (6.35)	8.3	8.7	
3/8" (9.62)	12.0	12.4	
1/2" (9.52")	15.4	15.8	
5/8" (15.9)	18.6	19.1	
3/4" (22.9)	22.9	23.3	

- After flaring the pipe, temporarily sealed pipe ends with adhesive tape to avoid contaminants from entering the pipes.
- The seal on the unit refrigerant piping connections should remain in place until the last possible moment. This will prevent dust or water from getting into the refrigerant piping before it is connected.
- CAREFULLY** adjust refrigerant piping connections to suit the application.
- Slowly loosen one of the flare nuts to release the factory nitrogen charge from the indoor units only.
- Remove the flare nuts from the connections on the unit and discard the seal from each of the piping connections.
- Slide the flare nuts onto the ends of the field-provided refrigerant piping before using a suitable flaring tool to flare the end of the copper pipe.
- Apply recommended HFC-410A refrigerant lubricant to the outside of the flared refrigerant lines.

IMPORTANT

The compressor in this unit contains PVE oil (Polyvinylether). PVE oil is formulated for hydrofluorocarbon (HFC) refrigerants, such as HFC-410A, which this system contains. While it may have some miscibility properties with mineral-based oil and POE oil (Polyolester), it is not recommended to mix PVE oil with any other type of refrigerant oil.

- Align the threaded connections with the flared refrigerant lines. Tighten the flare nuts lightly at first to obtain a smooth match as illustrated in "Figure 31. Making Connections (Male to Female Connection)".

Table 5. Refrigerant Piping and Indoor Unit Connection Sizes

Size (Btuh)	Liquid Line in.	Suction Line in.
6000, 9000	1/4	3/8
12000	1/4	1/2
18000	1/4	1/2
24000	3/8	5/8
30000	3/8	5/8

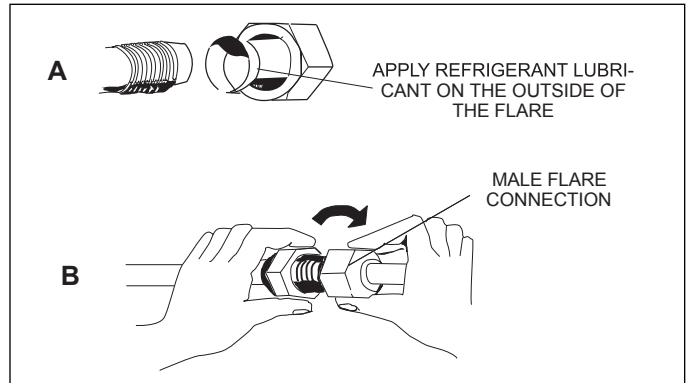


Figure 31. Making Connections (Male to Female Connection)

- Once snug, continue another half-turn on each nut which should create a leak-free joint. A torque wrench may be used to tighten flare nuts using "Table 6. Flare Nut Torque Recommendations". **Do not over-tighten a flared joint. Flared connections should always be accessible and must be insulated to prevent condensation.**
- After refrigerant piping has been installed and checked for leaks, apply insulation over all flared connections.

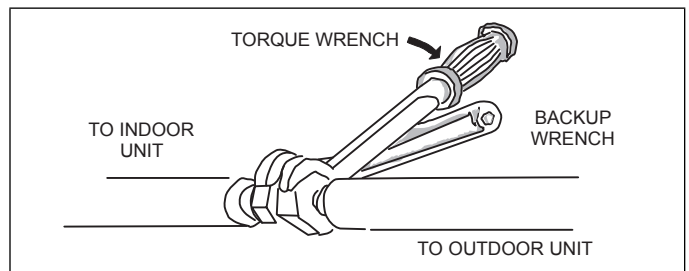
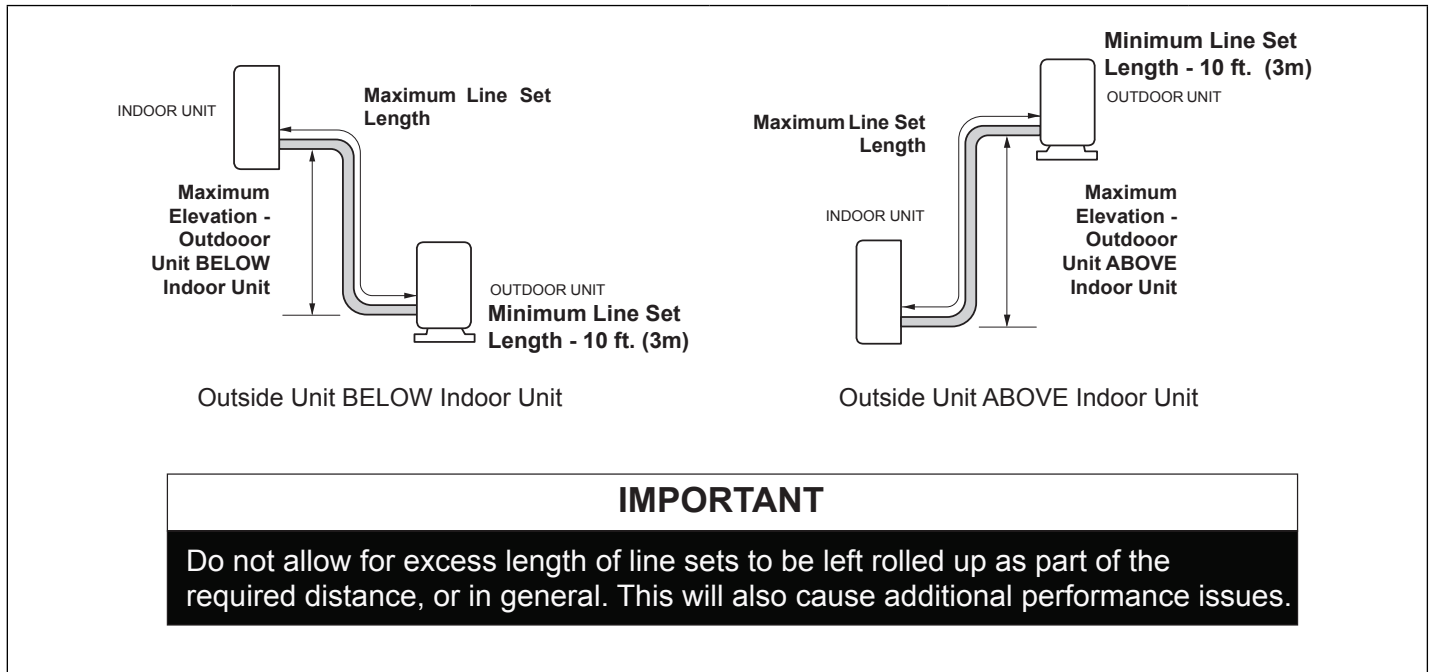


Figure 32. Tighten Flare Nut

Table 6. Flare Nut Torque Recommendations

Outside Diameter	Recommended Torque	No torque wrench available
Inches		Finger tighten and use an appropriately sized wrench to turn an additional:
1/4	15 ft.-lb. (20 N)	1/4 turn
3/8	26 ft.-lb. (35 N)	1/2 turn
1/2	41 ft.-lb. (56 N)	7/8 turn
5/8	48 ft.-lb. (65 N)	1 full turn

Table 7. Refrigerant Line Set Requirements



Each system size has a line set length and vertical elevation parameters.

System Size (KBtu)	Line Set Diameters (in.)		Maximum Elevation Outdoor Unit BELOW Indoor Unit - Feet (Meter)	Maximum Elevation Outdoor Unit ABOVE Indoor Unit - Feet (Meter)	Maximum Line Set Length - Feet (Meters)
	Liquid	Gas			
006, 009	1/4	3/8	40 (12)	40 (12)	82 (25)
012	1/4	1/2	40 (12)	40 (12)	82 (25)
018	1/4	1/2	66 (20)	66 (20)	98 (30)
024/030	3/8	5/8	82 (25)	82 (25)	164 (50)

Leak Test and Evacuation

Air and moisture remaining in the refrigerant system will have undesirable effects as indicated below:

- Pressure in the system rises
- Operating current rises
- Cooling or heating efficiency drops
- Moisture in the refrigerant circuit may freeze
- Water may lead to corrosion of parts in the refrigeration system

The line set between the indoor and outdoor units must be leak tested and evacuated to remove any non-condensables and moisture from the system.

Leak Test

Use the following procedure to test for system leaks:

1. Connect the manifold gauge set and dry nitrogen gas cylinder to the suction and gas service ports.
2. Open valve on nitrogen cylinder.
3. Pressurize the system per the pressure test

specifications in “Table 8. Pressure Test Specifications”.

4. Check that the system pressure remains stable. If there is any movement check system for leaks.
5. After the system is found to be free of leaks:
 - Close valve on nitrogen cylinder
 - Relieve the nitrogen pressure by: loosening the charge hose connector at the nitrogen cylinder
 - When the system pressure is reduced to normal, disconnect the hose from the cylinder

Table 8. Pressure Test Specifications

	Bar	Psig	kPa	Duration
1	3	44	303	Minimum of 10 minutes
2	15	220	1517	Minimum of 10 minutes
3	32	470	3241	Minimum of 10 minutes
4	45	650	4482	1 hour. Stress test to prove the integrity of the complete installation.
5	32	470	3241	24 hours. Lower system pressure test, after confirmation No. 4 was successfully completed.

IMPORTANT

Use only oxygen-free nitrogen (OFN).

Triple Evacuation Procedure

A Micron or Torr gauge must be used for this procedure.

1. Discharge the oxygen-free nitrogen and evacuate the system to a reading of 8000 Microns (8 Torr) using all service valves.
2. Break the vacuum by allowing nitrogen into the port connections (liquid and gas line pipes) until a positive pressure is achieved.
3. Evacuate the system to a reading of 5000 Microns (5 Torr).
4. Break the vacuum by allowing nitrogen into the port connections (liquid and gas line pipes) until a positive pressure is achieved.
5. Evacuate the system to a minimum reading of 500 Microns (0.5 Torr).
6. For a moisture-free system, ensure the vacuum is held without movement for a minimum of 4 hours.
7. If vacuum fails to hold, carry out steps 2 through 6 until vacuum holds.

Wiring Connections

⚠ WARNING

Electric Shock Hazard. Can cause injury or death. Unit must be rounded in accordance with national and local codes.

Line voltage is present at all components when unit is not in operation. Disconnect all remote electric power supplies before opening access panel. Unit may have multiple power sources.

⚠ CAUTION

All terminal connections must be made as illustrated in the following diagrams. Improperly connected wiring could damage unit or cause communication errors between indoor and outdoor units.

In the U.S.A., wiring must conform with current local codes and the current National Electric Code (NEC). In Canada, wiring must conform with current local codes and the current Canadian Electrical Code (CEC).

Outdoor Unit

- Refer to unit nameplate for minimum circuit ampacity and maximum over-current protection size
- Make all electrical power wiring connections at the outdoor unit
- Be sure to reattach all electrical box covers after connections are complete

Indoor Unit

- All indoor units are powered by the outdoor unit
- Communication Wiring (Indoor Units 30K and Below): Use one stranded 4-conductor wire to provide power and communication
- Communication Wiring (Indoor Units 36K and Above): Use one stranded 3-conductor wire to provide power and one stranded 2-conductor wire to provide communication
- See "Table 9. Single Zone Mini-Split Wiring Guide" on page 21 for further details on wire size and type.

NOTE: When installing a condensate pump the line voltage will have to be broken by using the condensate wiring or through the use of an external relay or contactor

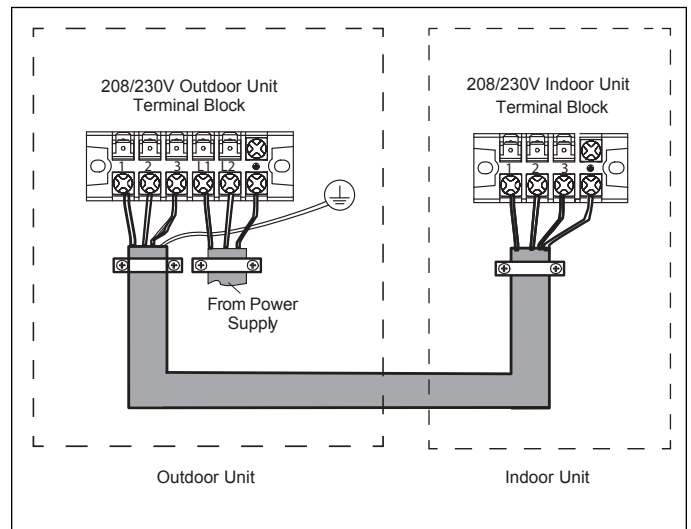


Figure 33. Single Zone Wiring

IMPORTANT

This unit must be properly grounded and protected by a circuit breaker. The ground wire for the unit must not be connected to a gas or water pipe, a lightning conductor or a telephone ground wire.

Do not connect power wires to the outdoor unit until all other wiring and piping connections have been completed.

Do not install the unit near a lighting appliance that includes a ballast. The ballast may affect remote control operation.

IMPORTANT

All diagrams (Figure 34 through Figure 42) are typical wiring diagrams. Refer to the wiring diagram on the unit for actual wiring.

Table 9. Single Zone Mini-Split Wiring Guide

Systems	System Capacity	System Voltage	Number of Conductors	Wire Type	Wire Gauge / MOCP
					MCA / Max Fuse
Indoor to Outdoor Wiring (Communication/Power) 1, 2, 3 and GND	09K and 12K	115VAC	4	Stranded	14AWG
Outdoor to Main Power L, N and GND	09K and 12K	115VAC	3	Stranded	MOCP: 25A*
	12K				MCA: 19*; Max Fuse: 25*
Indoor to Outdoor Wiring (Communication/Power) 1, 2, 3 and GND	09K and 12K	208/230 VAC	4	Stranded	14AWG Stranded, unshielded
Outdoor to Main Power L1, L2 and GND	09K and 12K	208/230 VAC	3	Stranded	MOCP: 15A*/15A**
	9K				MCA: 13*; Max Fuse: 15*
	12K				MCA: 15**; Max Fuse: 15**
Indoor to Outdoor Wiring (Communication/Power) 1, 2, 3 and GND	18K	208/230 VAC	4	Stranded	14AWG Stranded, unshielded
					MOCP: 30A*/25A**
Outdoor to Main Power L1, L2 and GND	18K	208/230 VAC	3	Stranded	MCA: 19*; Max Fuse: 30*
Indoor to Outdoor Wiring (Communication/Power) 1, 2, 3 and GND	24K	208/230 VAC	4	Stranded	MCA: 20**; Max Fuse: 25**
					14AWG Stranded, unshielded
Outdoor to Main Power L1, L2 and GND	24K	208/230 VAC	3	Stranded	MOCP: 30A*/35A**
					MCA: 23*; Max Fuse: 30*
Indoor to Outdoor Wiring (Communication/Power) 1, 2, 3 and GND	30K	208/230 VAC	4	Stranded	MCA: 25**; Max Fuse: 35**
					14AWG*4 Stranded, unshielded
Outdoor to Main Power L1, L2 and GND	30K	208/230 VAC	3	Stranded	MOCP: 30A*
					MCA: 23*; Max Fuse: 30*

MOCP = Maximum Over Current Protection

* MPC; **MLB

Table 9. Single Zone Mini-Split Wiring Guide

Systems	System Capacity	System Voltage	Number of Conductors	Wire Type	Wire Gauge / MOCP
					MCA / Max Fuse
Indoor to Outdoor Wiring (Power only) L1, L2 and GND	36K	208/230 VAC	3	Stranded	14AWG*3 Stranded, unshielded
Indoor to Outdoor Wiring (Communication only) (S1, S2)	36K	208/230 VAC	2	Stranded (shielded)	18AWG*2
Outdoor to Main Power L1, L2 and GND	36K	208/230 VAC	3	Stranded	MOCP: 45A*/50A**
					MCA: 30*; Max Fuse: 45* MCA: 41**; Max Fuse: 50**
Indoor to Outdoor Wiring (Power only) L1, L2 and GND	48K	208/230 VAC	3	Stranded	16AWG*3 Stranded, unshielded
Indoor to Outdoor Wiring (Communication only) (S1, S2)	48K	208/230 VAC	2	Stranded (shielded)	18AWG*2
Outdoor to Main Power L1, L2 and GND	48K	208/230 VAC	3	Stranded	MOCP: 50A*/50A**
					MCA:37* ; Max Fuse: 50* MCA:42** ; Max Fuse: 50**
Indoor to Outdoor Wiring (Power only) L1, L2 and GND	60K	208/230 VAC	3	Stranded	16AWG*3 Stranded, unshielded
Indoor to Outdoor Wiring (Communication only) (S1, S2)	60K	208/230 VAC	2	Stranded (shielded)	18AWG*2
Outdoor to Main Power L1, L2 and GND	60K	208/230 VAC	3	Stranded	MOCP: 50A
					MCA: 39; Max Fuse: 50
MOCP = Maximum Over Current Protection * MPC; **MLB					

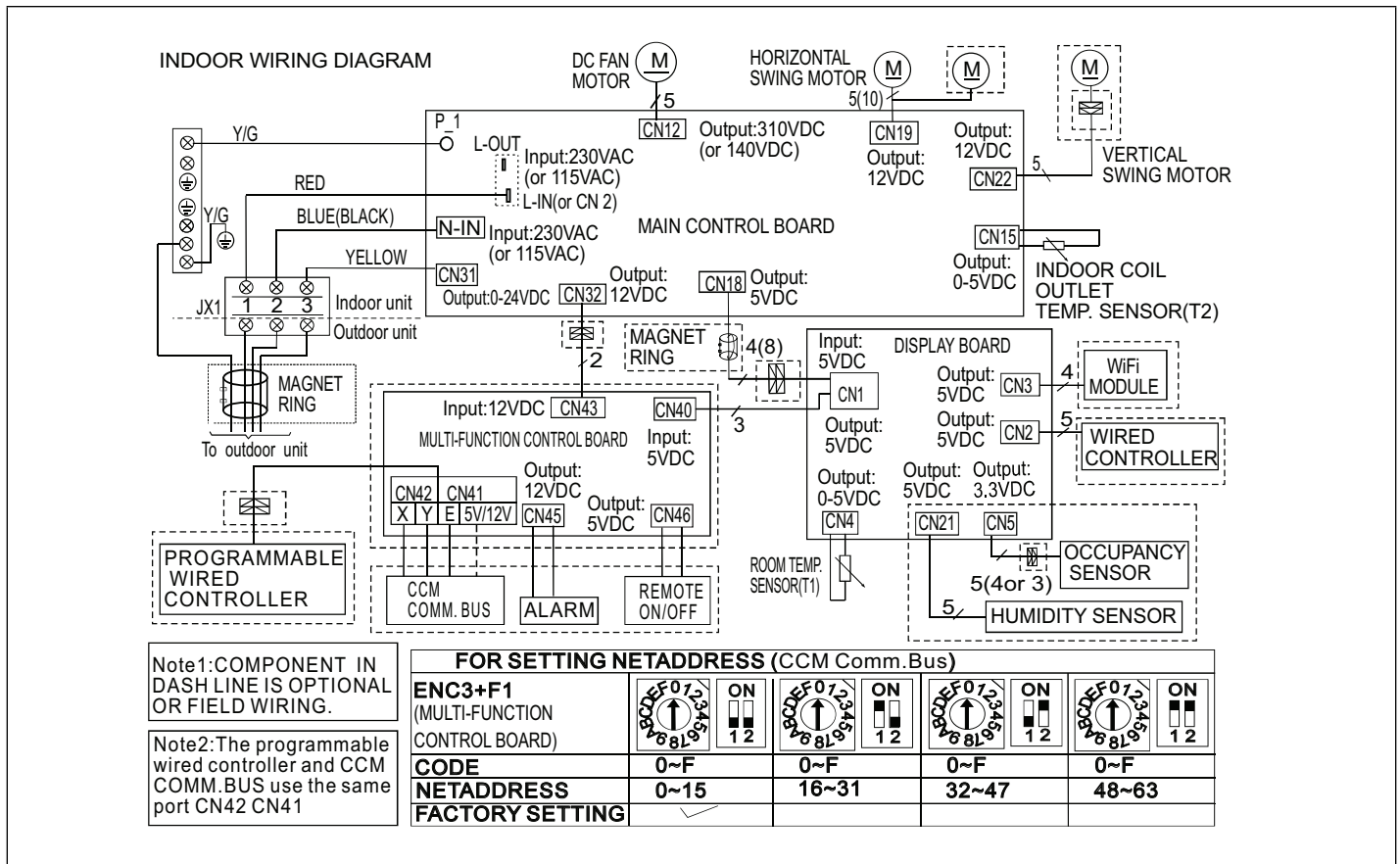


Figure 34. MVMC Unit Wiring Diagram

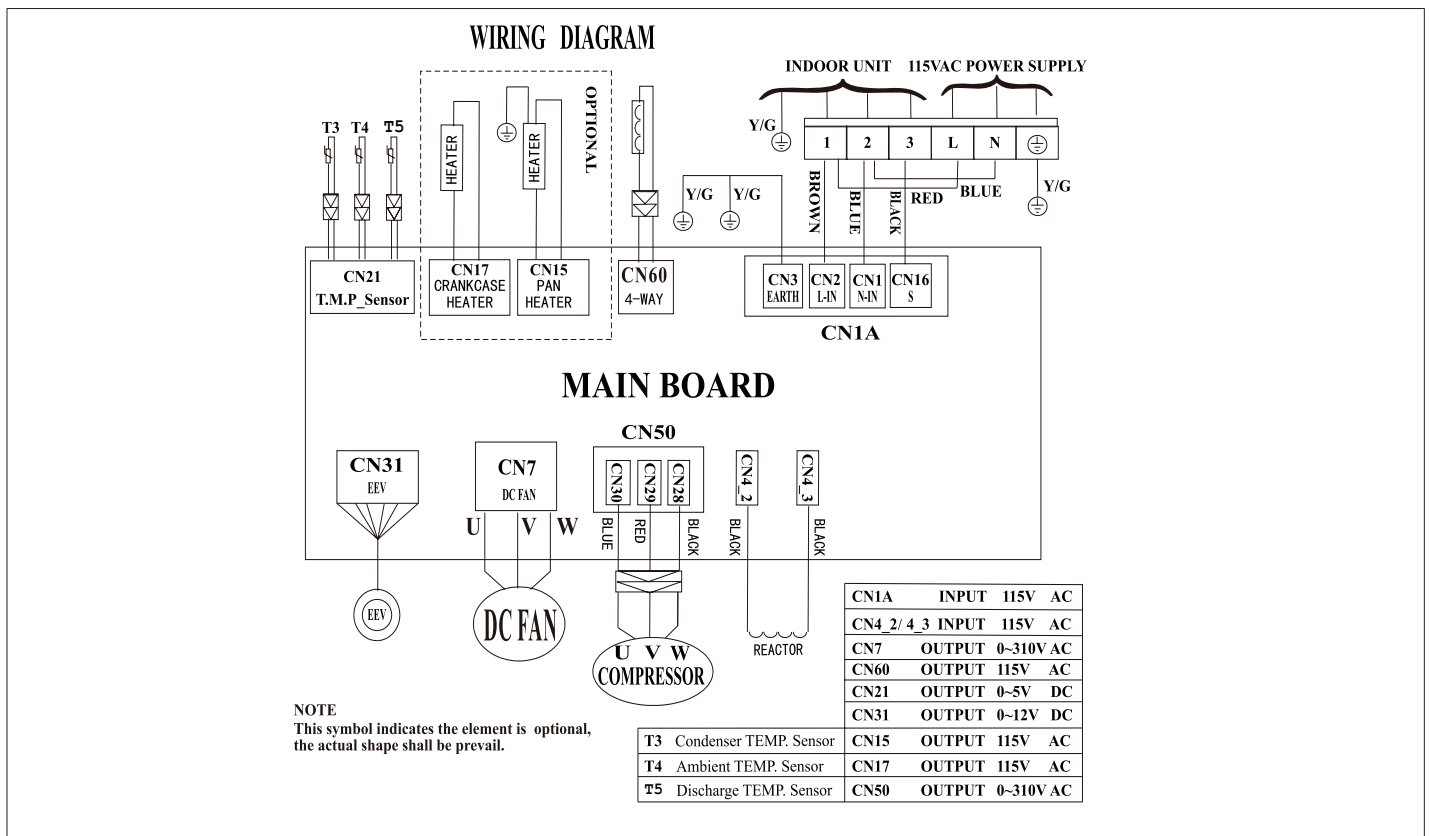


Figure 35. 115V MPC012S4S-L Outdoor Unit Wiring Diagram

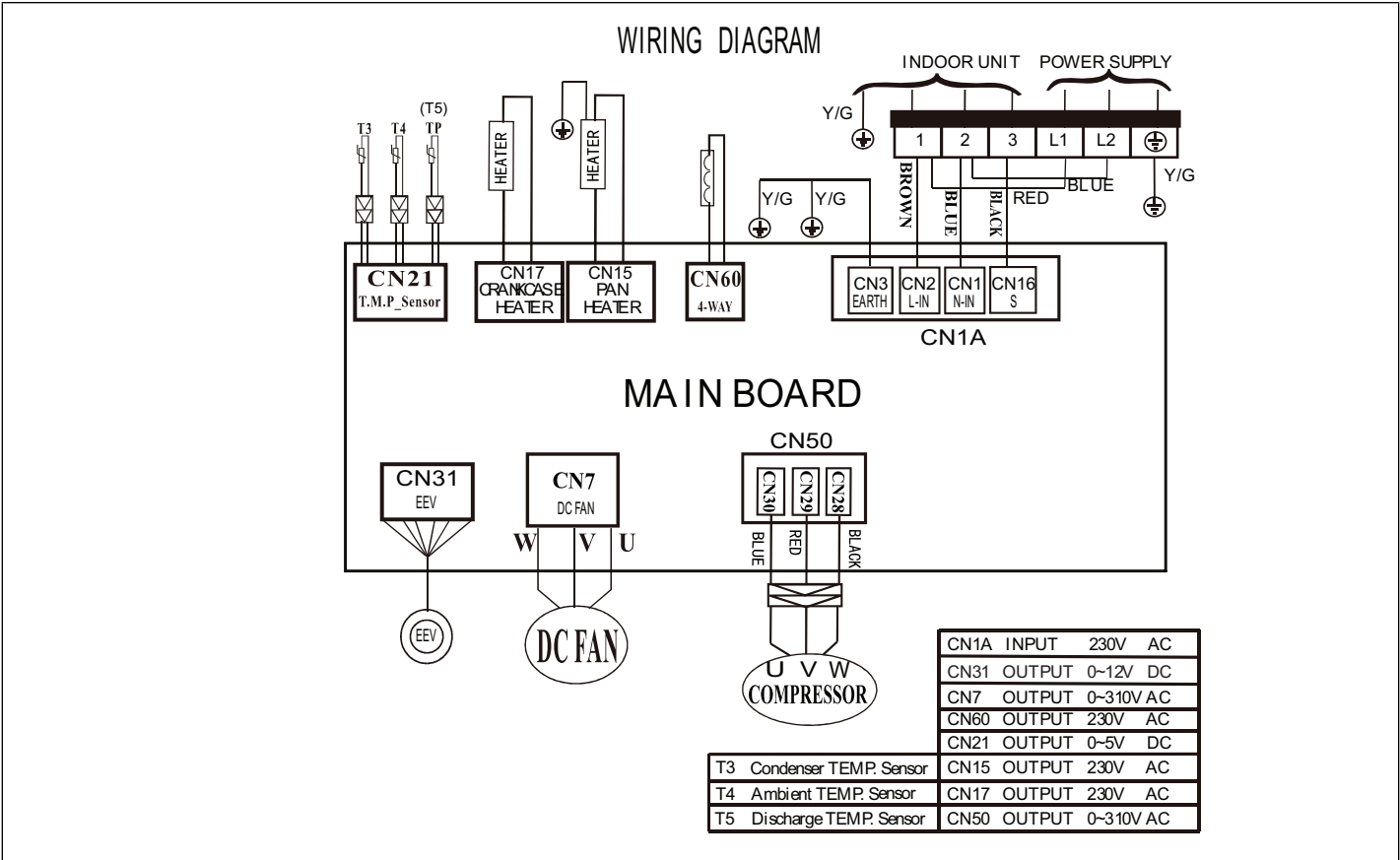


Figure 36. 208/230V MPC009S4S-*P and MPC012S4S-*P Outdoor Unit Wiring Diagram

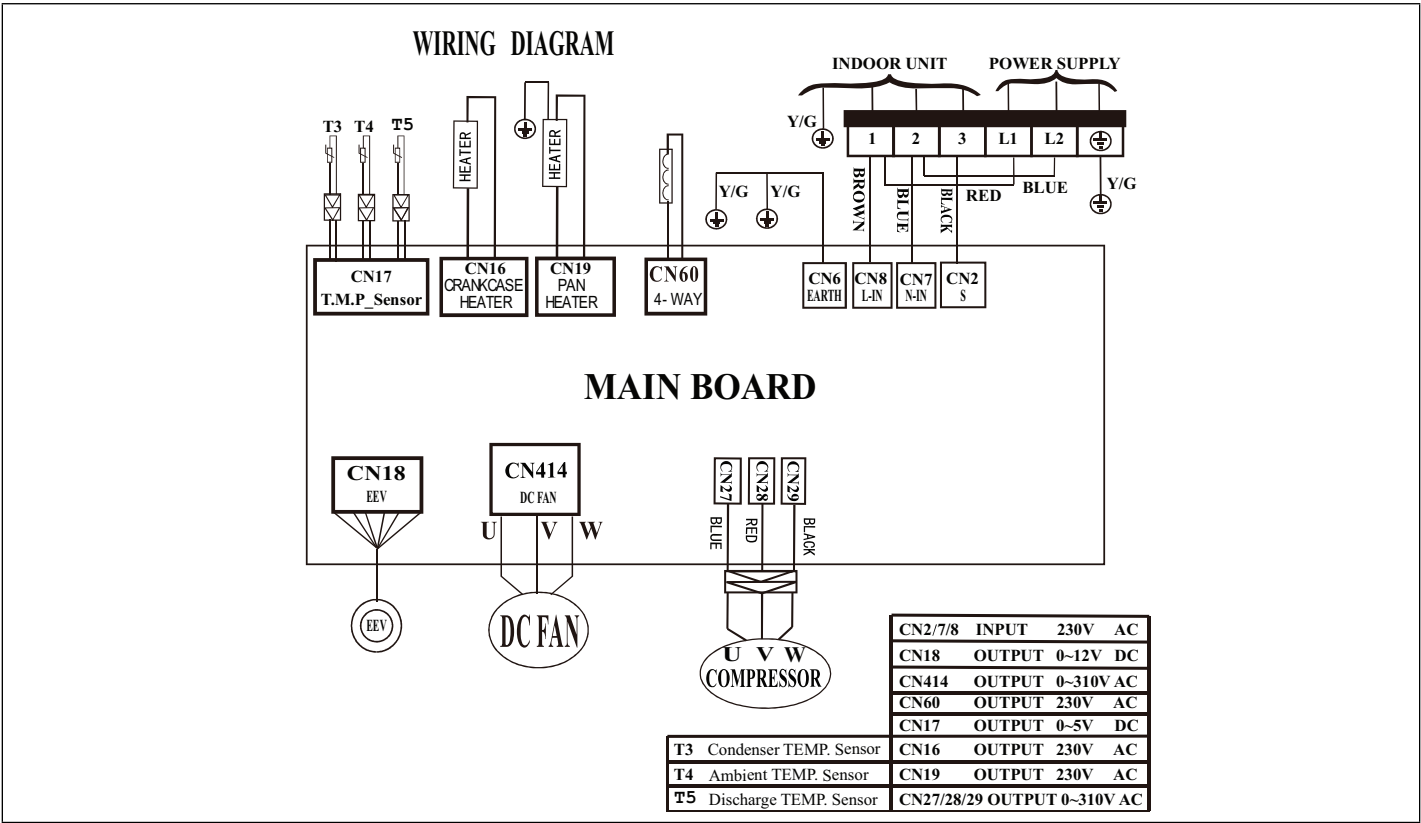


Figure 37. 208/230V MPC018S4S-*P Outdoor Unit Wiring Diagram

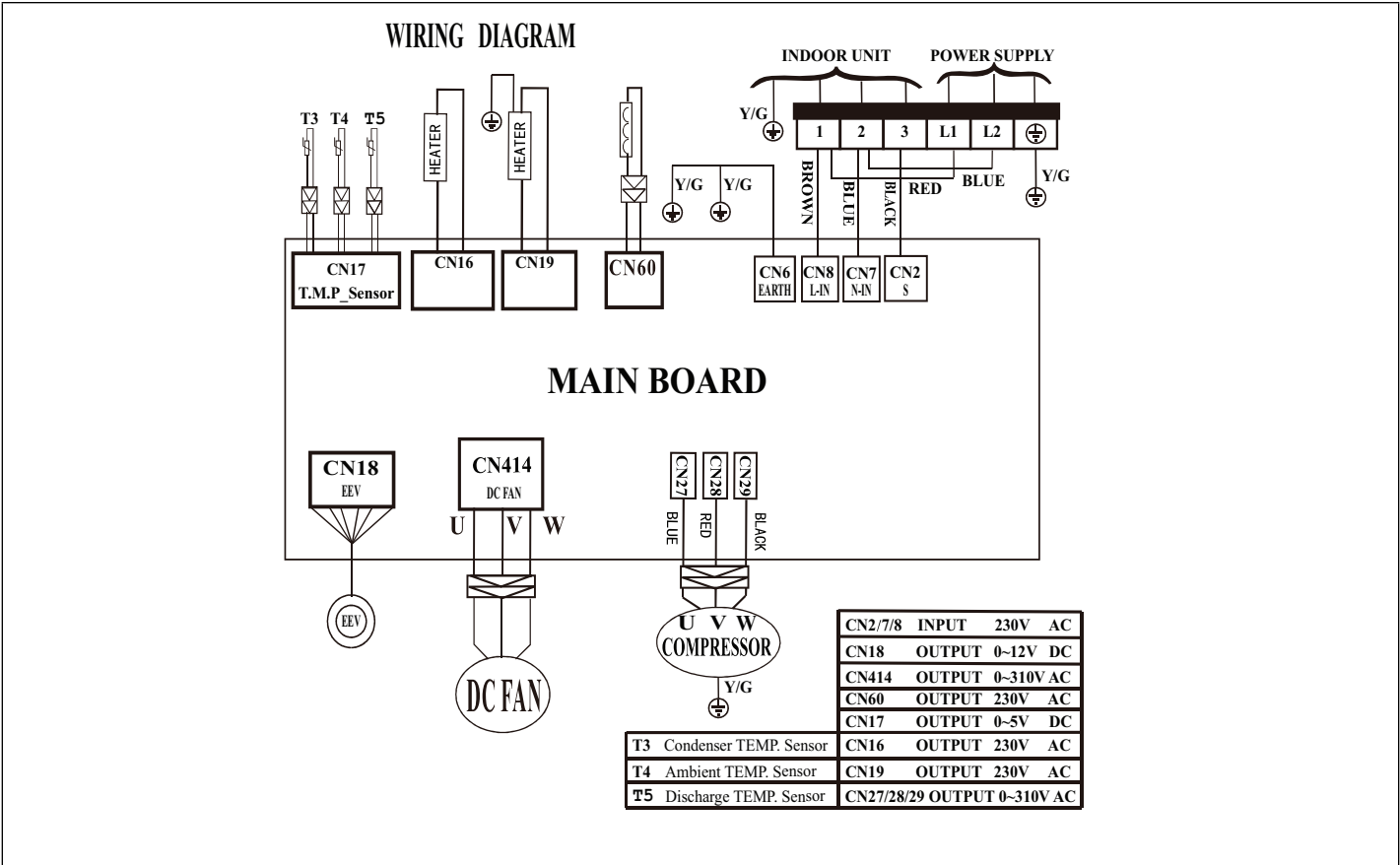


Figure 38. 208/230V MPC024S4S-*P Outdoor Unit Wiring Diagram

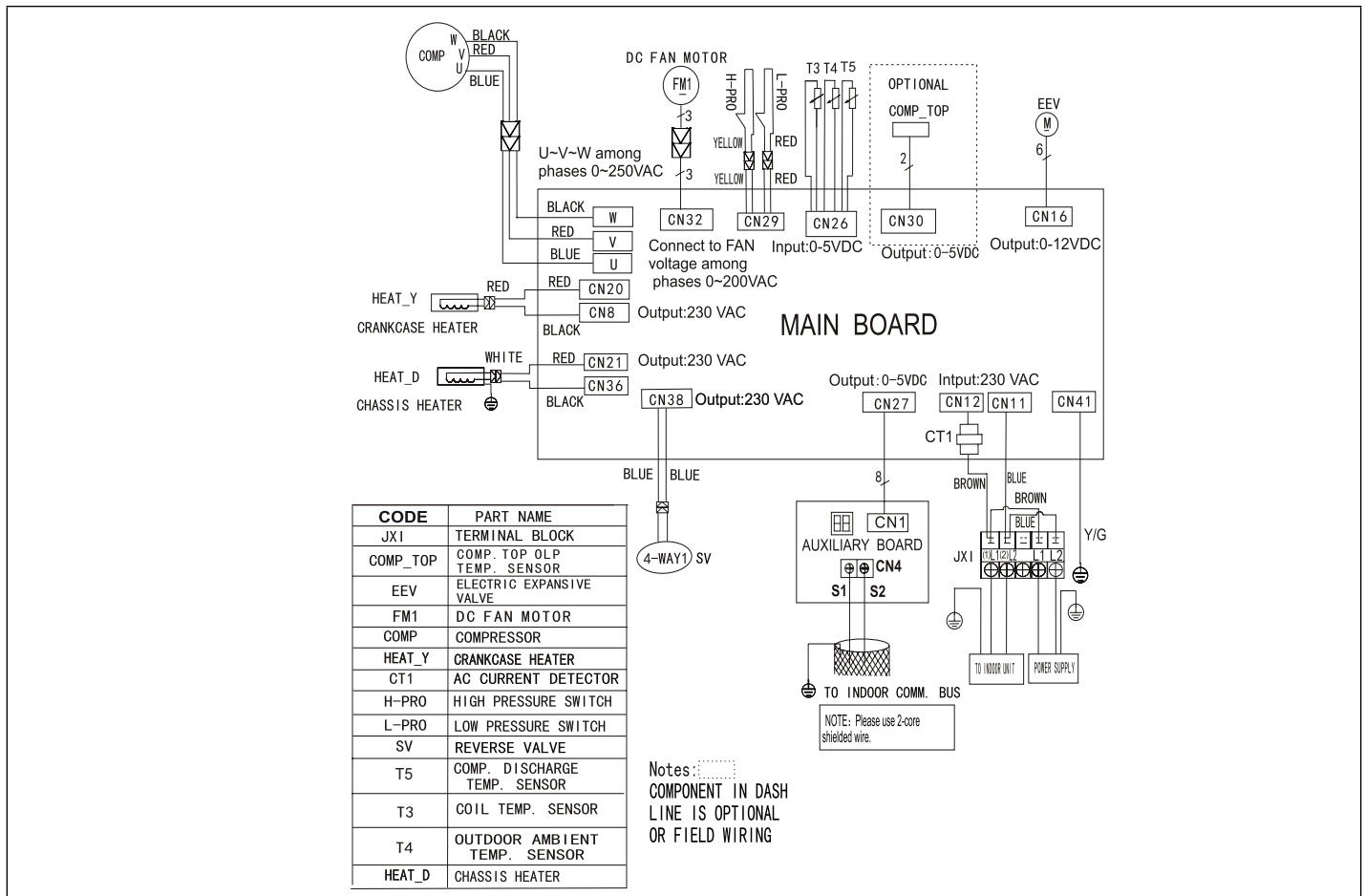


Figure 39. 208/230V MPC030S4S-*P Outdoor Unit Wiring Diagram

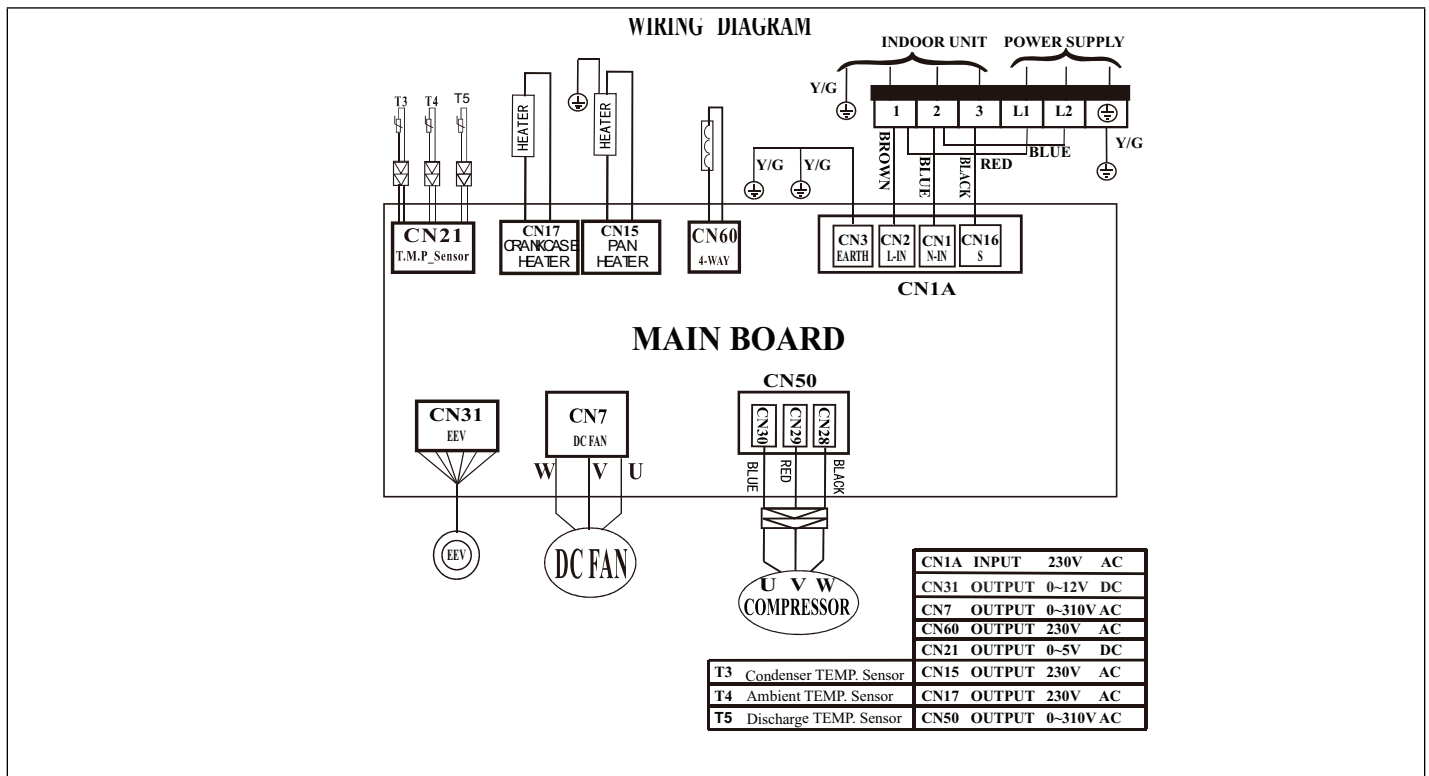


Figure 40. 208/230V MLB009S4S-*P and MLB012S4S-*P Outdoor Unit Wiring Diagram

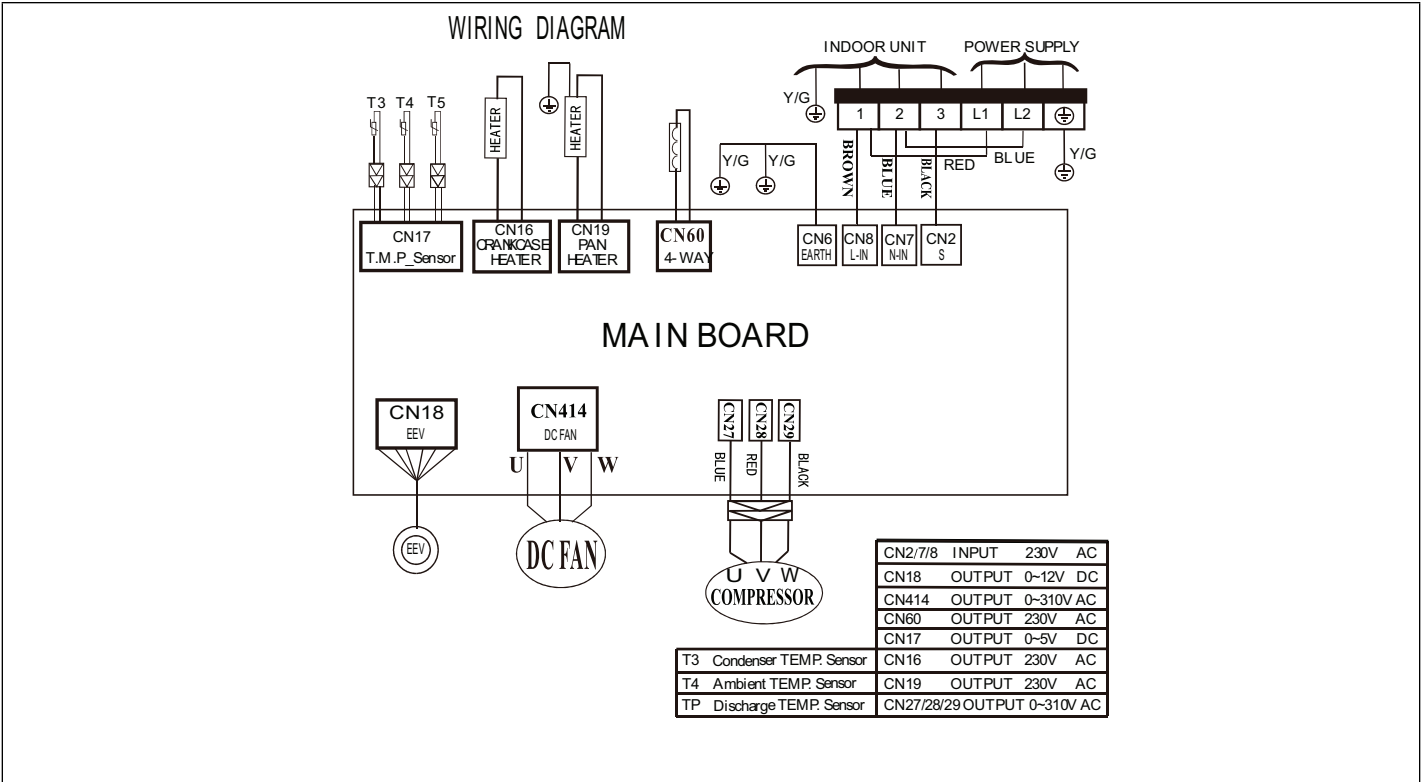


Figure 41. 208/230V MLB018S4S-*P Outdoor Unit Wiring Diagram

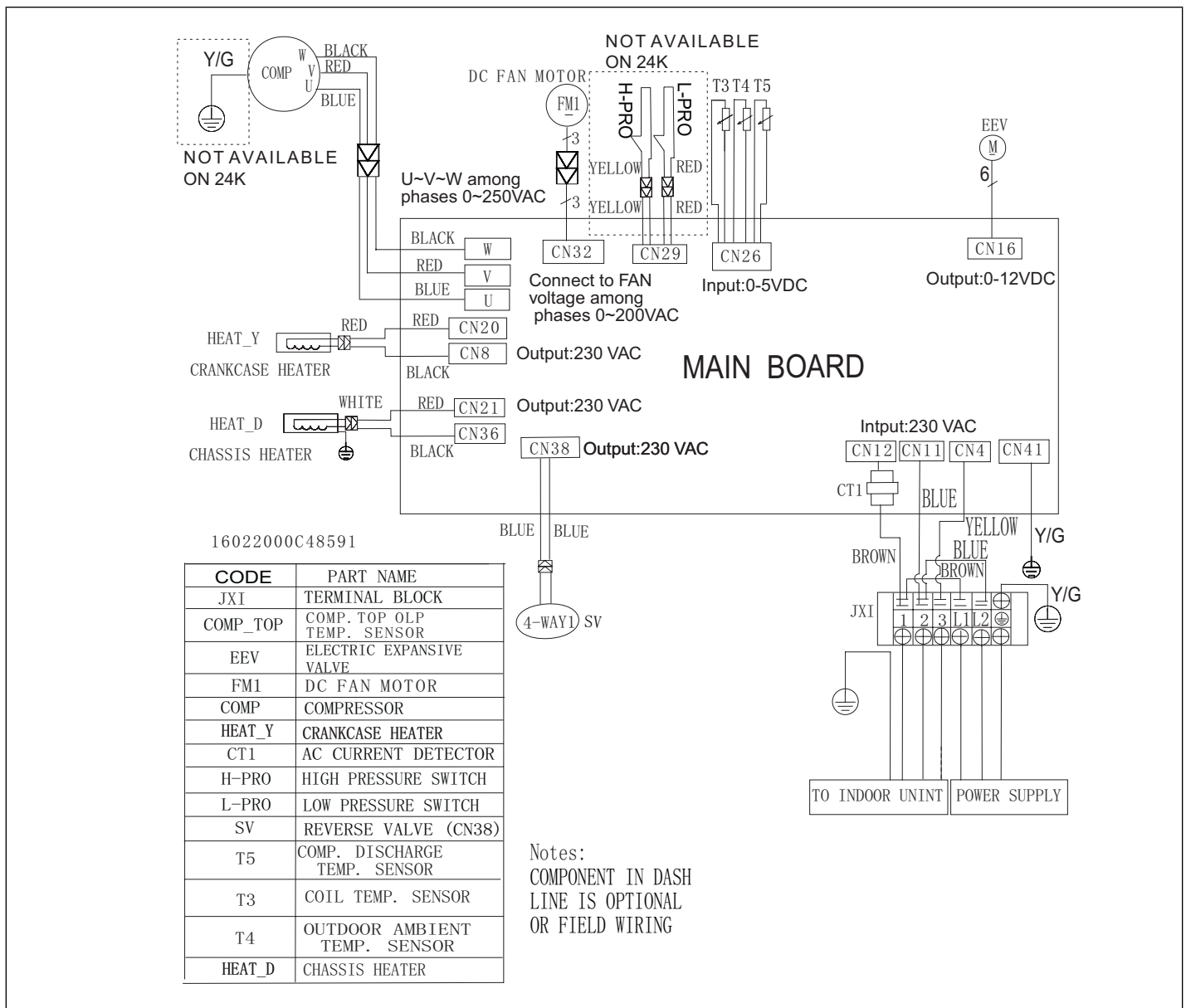


Figure 42. 208/230V MLB024S4S-*P Outdoor Unit Wiring Diagram

Unit Start-Up

IMPORTANT

Units should be energized 24 hours before unit start-up to prevent compressor damage as a result of slugging.

1. Inspect all factory- and field-installed wiring for loose connections.
2. Verify that the manifold gauge set is connected.
3. Add additional refrigerant charge if required before opening valves and while system is still under a vacuum.
4. Open the liquid and suction line service valves to release the refrigerant charge contained in outdoor unit into the system.
5. Replace the stem caps and tighten to the value listed

in "Table 3. Torque Requirements" on page 12.

6. Check voltage supply at the outdoor unit terminal strip. The voltage must be within the range listed on the unit's nameplate. If not, do not start the equipment until you have consulted with the power company and the voltage condition has been corrected.
7. Refer to the included user guide to operate the system using the provided remote control.
8. Visually check for binding of both indoor and outdoor fans.

Adding Refrigerant for Longer Line Set

The outdoor unit is factory-charged with refrigerant. Calculate the additional refrigerant required according to the diameter and the length of the liquid pipe between the outdoor unit and indoor unit connections.

Be sure to add the proper amount of additional refrigerant. Failure to do so may result in reduced performance.

Table 10. Additional Refrigerant Charge

System Size (KBtu)	Pipe Length (feet / meters)	Amount of Refrigerant to add
06 and 09	>25 (7.5)	0.161 oz/ft (15g/m)
12	>25 (7.5)	0.161 oz/ft (15g/m)
18	>25 (7.5)	0.161 oz/ft (15g/m)
24	>25 (7.5)	0.322 oz/ft (30g/m)
30	>25 (7.5)	0.322 oz/ft (30g/m)

Troubleshooting

Table 11. Indoor Unit Error and Status Code Display

Display	Type	Information
dF	Status	Defrost
EL	Status	Filter cleaning reminder(power on display for 15 seconds).
EL	Status	Active clean
EP	Status	Remote switched off.
FC	Status	Forced cooling.
FP	Status	Heating in room temperature under 8°C.
nF	Status	Filter replacement reminder (power on display for 15 seconds).
EE 07	Error	The outdoor fan speed is operating outside of the normal range.
EE 51	Error	Outdoor unit EEPROM parameter error.
EE 52	Error	Condenser coil temperature sensor T3 is in open circuit or has short circuited.

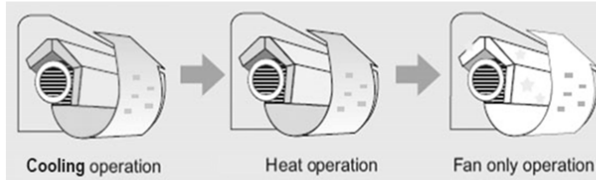
Table 11. Indoor Unit Error and Status Code Display

Display	Type	Information
EE 53	Error	Outdoor ambient temperature sensor T4 is in open circuit or has short circuited.
EE 54	Error	Compressor discharge temperature sensor TP is in open circuit or has short circuited.
EE 56	Error	Evaporator coil outlet temperature sensor (T2B multi-zone) is in open circuit or has short circuited (for free-match indoor units).
EH 00 EH 0A	Error	Indoor unit EEPROM parameter error.
EH 03	Error	The indoor fan speed is operating outside of the normal range.
EH 05	Error	Communication error between main control board and display board.
EH 60	Error	Indoor room temperature sensor T1 is in open circuit or has short circuited.
EH 61	Error	Evaporator coil middle temperature sensor T2 is in open circuit or has short circuited.
EL 0C	Error	Refrigerant leakage detection.
PC 00	Error	Inverter module IPM error.
PC 01	Error	High or Low voltage protection.
PC 02	Error	High temperature sensed at compressor top.
PC 03	Error	Low or High pressure protection.
PC 04	Error	Inverter compressor drive error.
PC 0B	Error	Current overload protection.
PC 0L	Error	Outdoor low ambient temperature protection.
--	Error	Indoor units mode conflict (match with multi outdoor unit).

I-Clean Feature

For units that use the provided wireless remote control, there is a button labeled “i-clean”. Press to activate self cleaning mode. In cooling or dry mode only, the indoor unit will temporarily change operation to allow condensate on the indoor unit coil to evaporate, and then will turn off. During this operation, code **CL** will display on the indoor unit.

The sequence of operation for the self-clean function is illustrated below.



- i-Clean function enables cleaning and drying the indoor coil to avoid mold.
- Press CLEAN button to enable i-clean function, “CL” will show in indoor display.

Remarks:

1. Self clean can be active under any mode.
2. In the new CL process, the evaporator needs about 7-10 minutes of frost. The dirt on the surface of evaporator is removed by thermal expansion and cold contraction to achieve the purpose of cleaning.
3. T2 is the evaporator temperature.

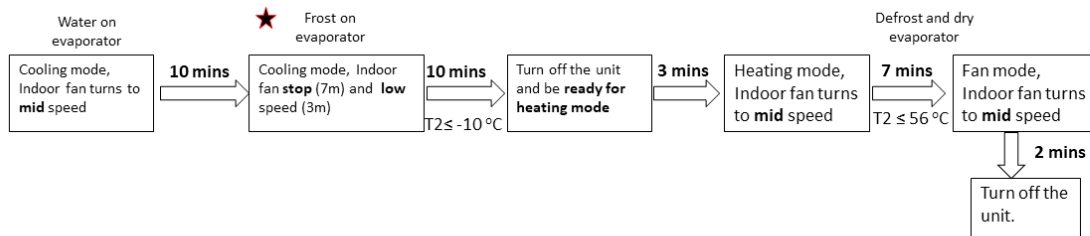


Figure 43. Self Clean

Test Run

Pre-Checks

Only perform test run after you have completed the following steps:

- Electrical Safety Checks – Confirm that the unit's electrical system is safe and operating properly
- Refrigerant Leak Checks – Check all flare nut connections and confirm that the system is not leaking
- Confirm that suction and liquid valves are fully open.

Procedure

You should perform the Test Run for at least 30 minutes.

1. Connect power to the unit.
2. Press the ON/OFF button on the remote controller to turn it on.
3. Press the mode button to scroll through the following functions, one at a time:
 - COOL - Select lowest possible temperature
 - HEAT - Select highest possible temperature
4. Let each function run for 5 minutes, and perform the following checks:

Table 8. Test Run Checklist

Checks	Pass	Fail
No electrical leakage		
Unit is properly grounded		
All electrical terminals properly covered		
Indoor and outdoor units are solidly installed		
All pipe connection points do not leak		
Water drains properly from drain hose		
All piping is properly insulated		
Unit performs COOL function properly		
Unit performs HEAT function properly		
Indoor unit louvers rotate properly		
Indoor unit responds to remote controller		

Double-Check Pipe Connections

During operation, the pressure of the refrigerant circuit will increase. This may reveal leaks that were not present during your initial leak check. Take time during the Test Run to double-check that all refrigerant pipe connection points do not have leaks.

1. Using remote control, return unit to the normal operating temperature.

2. Using insulation tape, wrap the indoor refrigerant pipe connections that you left uncovered during the indoor unit installation process.

If Ambient Temperature is below 60°F (16°C)

You cannot use the remote controller to turn on the COOL function when the ambient temperature is below 60°F (16°C). In this instance, you can use the MANUAL CONTROL button to test the COOL function.

1. Lift the front panel of the indoor unit, and raise it until it clicks in place
2. The MANUAL CONTROL button is located on the right-hand side of the unit. Press it 2 times to select the COOL function
3. Perform Test Run as normal

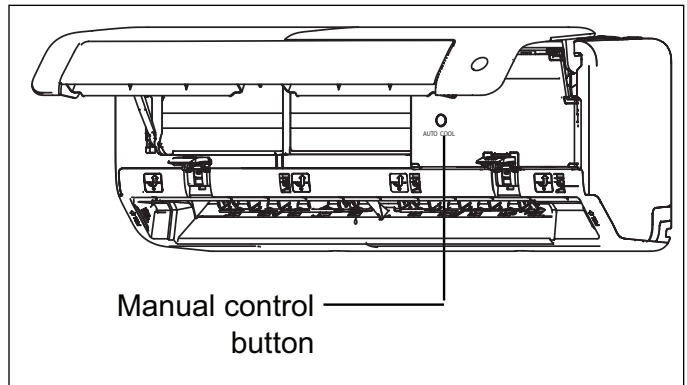


Figure 44. Manual Control Button

Dry Mode Operation (Dehumidification)

Procedure

1. Using the provided wireless remote control, press the **MODE** button and select **DRY** mode.
2. Press the **UP/ DOWN** button to select the desired temperature. The temperature setting range is from 60°F (18°C) to 86°F (30°C) in one degree increments.

NOTE: The fan speed is at auto fan under dry mode. The temperature can be set to a certain temperature and the unit will turn off if the temperature is lower than the setting temperature. Also the Follow Me mode does not operate in this mode.

NOTE: The MWMC model does have the humidistat built-in and can control the humidity.

Sequence of Operation

When in dry mode operation the unit is actually in cooling mode the fan speed is at auto fan under dry mode. Set remote temp to a lower room temp to begin the dry mode operation. The compressor will stop when the room temperature is 4°F (2°C) lower than the temperature setting.

Humidity Control

The user can adjust the room humidity during Dry operation. The humidity range adjustment has a range of 35%~85%.

There is a humidity button on the wireless remote, press that button to increase the humidity in 5% increments.

Intelligent Eye Function

With the Intelligent Eye Function, your indoor unit will automatically detect the room vacant and adjust the temperature for energy-efficiency.

NOTE: *For more details concerning wireless control functions and unit features see the provided user guide.*