

AA

BB

CC

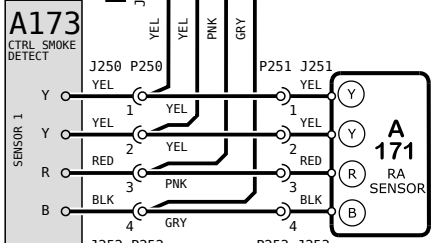
DD

EE

FF

KEY LIST		
LOCATION		COMPONENT DESCRIPTION
DD06	A2	SENSOR, ELECTRONIC THERMOSTAT
CC07	A24	CONTROL, OUTDOOR AIR FLOW CFM
EE07	A34	TRANSDUCER, BUILDING PRESSURE
AA04	A55	CONTROL BOARD, MAIN
DD08	A63	SENSOR, CO2 (IAQ) OPTIONAL
CC06	A91	SENSOR, HUMIDITY
EE07	A170	CONTROL, NOVAR LSE GATEWAY
BB02	A171	SENSOR ONE, SMOKE DETECTOR, RETURN AIR
BB03	A172	SENSOR TWO, SMOKE DETECTOR, SUPPLY AIR
AA01	A173	CONTROL MODULE, SMOKE DETECTOR
CC03	F/A	FIRE ALARM CONTACT
EE08	LON	LONTALK MODULE
DD04	S27	SWITCH, FILTER
BB04	S42	SWITCH, OVERLOAD RELAY BLOWER MOTOR
DD04	S52	SWITCH, AIRFLOW
EE03	S149	SWITCH, OVERFLOW ONE

01

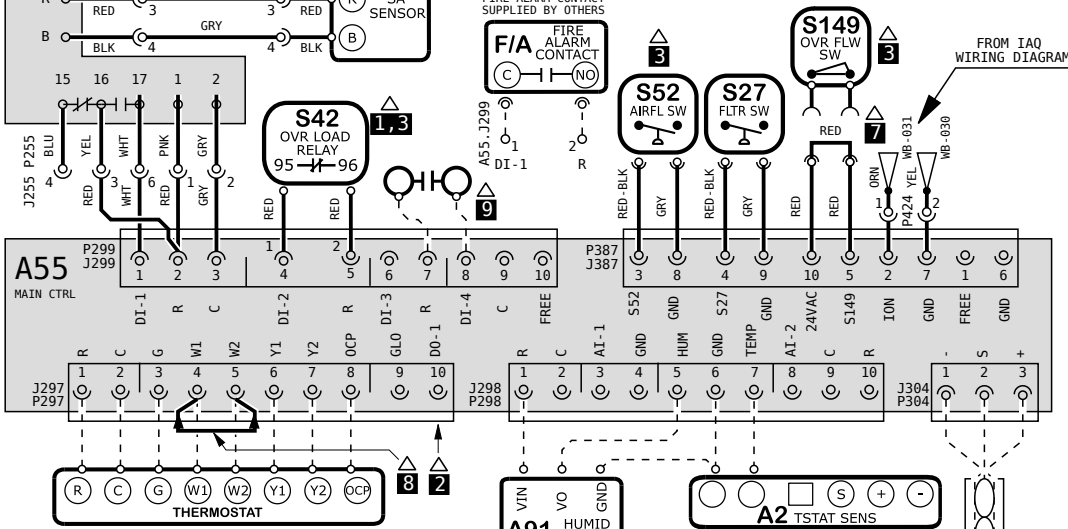


02

03

04

05



06

NOTES	
1	FOR MOTORS WITH S42 EXTERNAL OVERLOAD LESS INVERTER, SEE INVERTER WITH BY PASS FOR S42 HOOK UP
2	P297-10 (SR) IS SERVICE RELAY OUTPUT (24VAC) IF USED CONNECT TO AN INDICATOR LIGHT
3	CORE CONTROLLER SETTINGS MUST BE MODIFIED WHEN S42, S52, S149 ARE INSTALLED
4	CONNECT P252 OF A172 SENSOR TO J261 ON SUPPLY AIR SMOKE DETECTOR ONLY
5	FROM A63, A34 & A24, ONLY ONE CAN BE USED AT A TIME TO CONNECT TO J298
7	REMOVE JUMPER TO INSTALL S149
8	JUMPER USED ON UNITS WITH SCR THIRD PARTY CONTROL ONLY
9	EXTERNAL HUMIDITROL CONTACTS

07

08

09

← DENOTES OPTIONAL COMPONENTS AND WIRING
- - - CLASS 2 FIELD WIRING

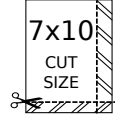
10

Model: LC, LG, LH, LD Series RTU
Thermostat- GATEWAY Controls
Voltage: All Voltages
Supersedes: 538079-01 Form No: 538079-02 Rev: 0

HEATING	COOLING	COOLING	ACCS	ACCS
SECTION A	SECTION B	SECTION B3/5	SECTION C	SECTION D

WIRING DIAGRAM FLOW

© 2019



REV	EC NO.	DATE	BY	APVD	REVISION NOTE
---	CN-012295C	04-03-2024	MXR6	MXT5	ORIGINATED AT PD&R CARROLLTON, TX



AA

BB

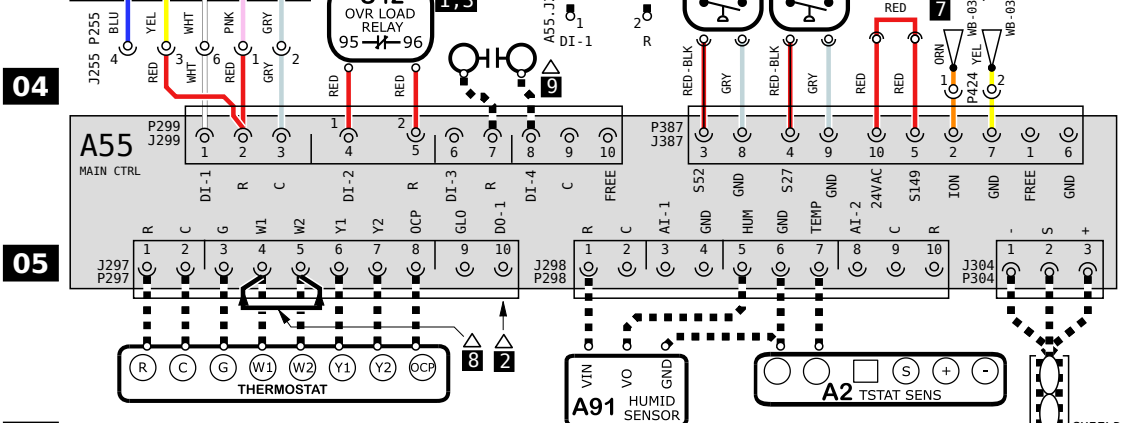
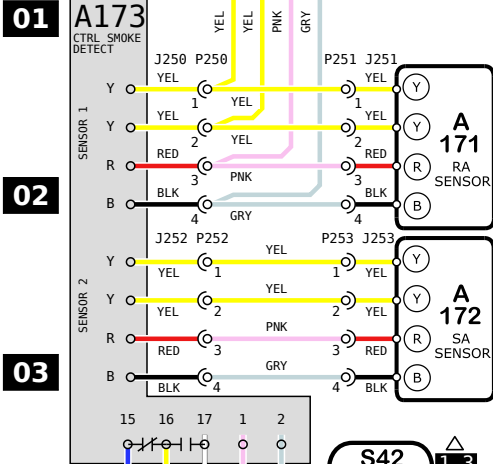
CC

DD

EE

FF

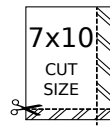
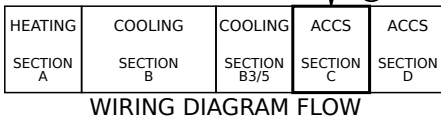
KEY LIST		
LOCATION		COMPONENT DESCRIPTION
DD06	A2	SENSOR, ELECTRONIC THERMOSTAT
CC07	A24	CONTROL, OUTDOOR AIR FLOW CFM
EE07	A34	TRANSDUCER, BUILDING PRESSURE
AA04	A55	CONTROL BOARD, MAIN
DD08	A63	SENSOR, CO2 (IAQ) OPTIONAL
CC06	A91	SENSOR, HUMIDITY
EE07	A170	CONTROL, NOVAR LSE GATEWAY
BB02	A171	SENSOR ONE, SMOKE DETECTOR, RETURN AIR
BB03	A172	SENSOR TWO, SMOKE DETECTOR, SUPPLY AIR
AA01	A173	CONTROL MODULE, SMOKE DETECTOR
CC03	F/A	FIRE ALARM CONTACT
EE08	LON	LONTALK MODULE
DD04	S27	SWITCH, FILTER
BB04	S42	SWITCH, OVERLOAD RELAY BLOWER MOTOR
DD04	S52	SWITCH, AIRFLOW
EE03	S149	SWITCH, OVERFLOW ONE



NOTES	
1	FOR MOTORS WITH S42 EXTERNAL OVERLOAD LESS INVERTER, SEE INVERTER WITH BY PASS FOR S42 HOOK UP
2	P297-10 (SR) IS SERVICE RELAY OUTPUT (24VAC) IF USED CONNECT TO AN INDICATOR LIGHT
3	CORE CONTROLLER SETTINGS MUST BE MODIFIED WHEN S42, S52, S149 ARE INSTALLED
4	CONNECT P252 OF A172 SENSOR TO J261 ON SUPPLY AIR SMOKE DETECTOR ONLY
5	FROM A63, A34 & A24, ONLY ONE CAN BE USED AT A TIME TO CONNECT TO J298
7	REMOVE JUMPER TO INSTALL S149
8	JUMPER USED ON UNITS WITH SCR THIRD PARTY CONTROL ONLY
9	EXTERNAL HUMIDITROL CONTACTS

09 ← DENOTES OPTIONAL COMPONENTS AND WIRING
 - - - - - CLASS 2 FIELD WIRING

10 Model: LC, LG, LH, LD Series RTU
 Thermostat- GATEWAY Controls
 Voltage: All Voltages
 Supersedes: 538079-01 Form No: 538079-02 Rev: 0



REV	EC NO.	DATE	BY	APVD	REVISION NOTE
---	CN-012295C	04-03-2024	MXR6	MXT5	ORIGINATED AT PD&R CARROLLTON, TX

© 2019