

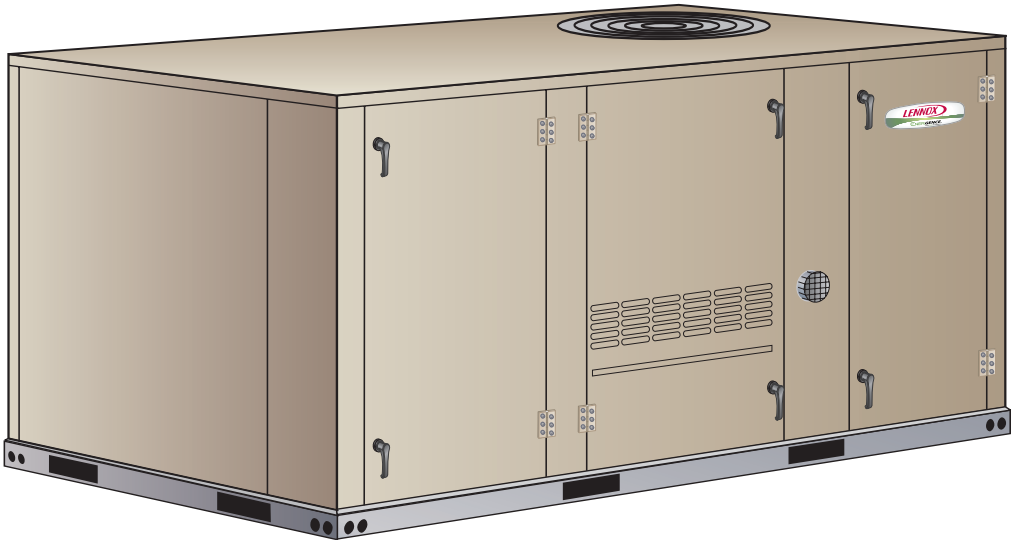


LGH

**Energence® Rooftop Units
60 Hz**

**COMMERCIAL
PRODUCT SPECIFICATIONS**

Bulletin No. 210540
August 2022
Supersedes July 2022



SMART WIRE™ SYSTEM

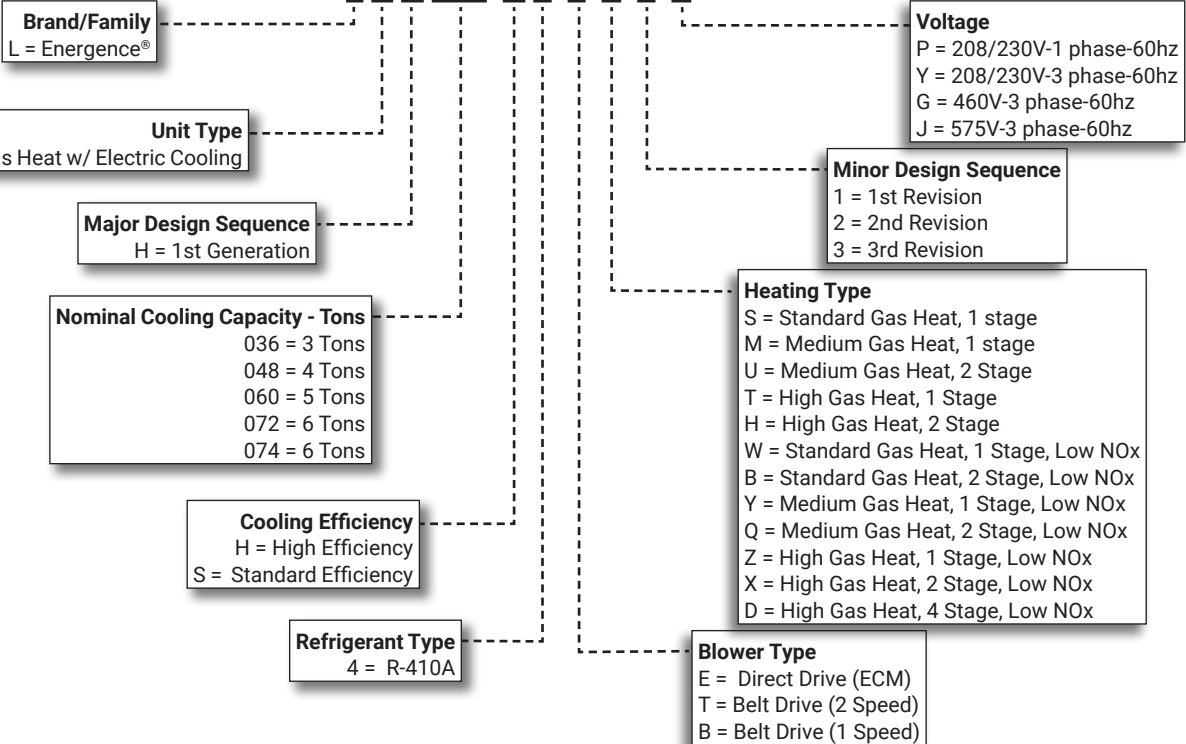


**ASHRAE 90.1
COMPLIANT**

3 to 6 Tons
Net Cooling Capacity - 34,800 to 72,000 Btuh
Gas Input Heat Capacity - 65,000 to 150,000 Btuh

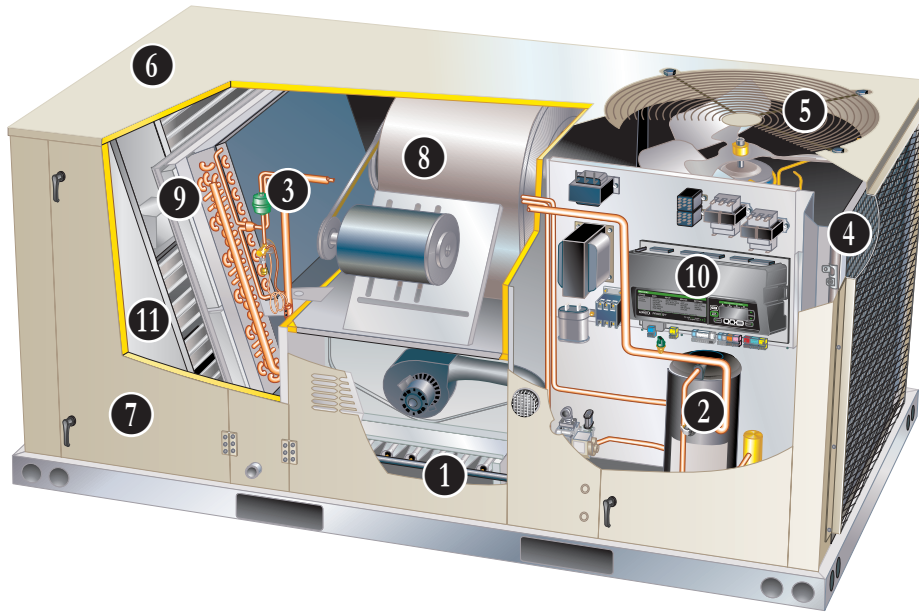
MODEL NUMBER IDENTIFICATION

L G H 060 H 4 E S 1 Y



FEATURE HIGHLIGHTS

Lennox' Energence® packaged rooftop unit product line was created to save energy with intelligence by offering some of the highest energy efficiency ratings available with a powerful, easy to use unit controller. This makes Energence rooftop units perfect for business owners looking for an HVAC product with the lowest total cost of ownership.



1. Aluminized steel inshot burners
2. Two Stage Compressor
3. Filter/Drier
4. Environ™ Coil System
5. Variable Speed Outdoor Coil Fan Motor
6. Heavy Gauge Steel Cabinet
7. Hinged Access Panels
8. Supply Air Blower
9. Air Filters
10. Prodigy 2.0 Control System
11. Economizer (option)

CONTENTS

Approvals And Warranty	3
Blower Data	31
Cooling Ratings	25
Dimensions	50
- Accessories	51
- Unit	50
Electrical Data	44
Features And Benefits	3
High Altitude Derate	24
Humiditrol® Dehumidification System Option	12
Humiditrol® Dehumidification System Ratings	29
Model Number Identification	1
Optional Conventional Temperature Control Systems	13
Options / Accessories	18
Outdoor Sound Data	48
Sequence Of Operation	16
Specifications	22
Specifications - Standard Gas Heat	24
Unit Clearances	49
Weight Data	48
- Options / Accessories	48
- Unit	48

APPROVALS AND WARRANTY

APPROVALS

- AHRI Certified to AHRI Standard 210/240 (3 thru 5 ton models) and AHRI Standard 340/360 (6 ton models)
- ETL and CSA listed
- Efficiency rating certified by CSA
- Components bonded for grounding to meet safety standards for servicing required by UL, ULC, and National and Canadian Electrical Codes
- All models are ASHRAE 90.1 compliant
- All models have HCAI (formerly OSHPD) OSP and Special Seismic Certification ([Number: OSP-0596](#)), and meet 2018 International Building Code (IBC), 2019 California Building Code (CBC) ASCE 7, and ICC-ES AC156
- ENERGY STAR® certified units are designed to use less energy, help save money on utility bills, and help protect the environment
- ISO 9001 Registered Manufacturing Quality System

California Only

- If installed in South Coast Air Quality Management District (SCAQMD) only:
 - This gas unit does not meet the SCAQMD Rule 1111 NOx emission limit (14 ng/J), and thus is subject to a mitigation fee of up to \$450. This furnace is not eligible for the Clean Air Furnace Rebate Program: www.CleanAirFurnaceRebate.com
- If installed in San Joaquin Valley Air Pollution Control District (SJVAPCD) only:
 - This gas unit does not meet the SJVAPCD Rule 4905 NOx emission limit (14 ng/J), and thus is subject to a mitigation fee of up to \$450

WARRANTY

- Aluminized Heat Exchanger - Limited ten years
- Stainless Steel Heat Exchanger (optional) - Limited fifteen years
- Compressors - Limited five years
- Environ™ Coil System - Limited three years
- Prodigy 2.0 Unit Controller - Limited three years
- Optional High Performance Economizers - Limited five years
- All other covered components - Limited one year

FEATURES AND BENEFITS

HEATING SYSTEM

- 1 Aluminized steel inshot burners, direct spark ignition, electronic flame sensor, combustion air inducer, redundant automatic single or dual stage gas valve with manual shut-off

Heat Exchanger

- Tubular construction, aluminized steel, life cycle tested

NOTE - Optional Stainless Steel Heat Exchanger is required if mixed air temperature is below 45°F.

Limit Controls

- Factory installed, redundant limit controls with fixed temperature setting
- Heat limit controls protect heat exchanger and other components from overheating

Safety Switches

- Flame roll-out switch, flame sensor and combustion air inducer proving switch protect system operation
- All safety switches are monitored by the Prodigy 2.0 Unit Controller and diagnostic information is reported and recorded

Low NOx Models

- All single phase models are available in low NOx versions (40 ng/J)

Required Selections

Gas Input Choice - Order one:

- Standard Gas Heat (1 Stage) 65,000 Btuh
- Standard Gas Heat (2 Stage) 70,000/53,000 Btuh
- Medium Gas Heat (1 Stage) 108,000 Btuh
- Medium Gas Heat (2 Stage) 81,000/108,000 Btuh
- High Gas Heat (1 Stage) 150,000 Btuh
- High Gas Heat (2 Stage) 113,000/150,000 Btuh
- High Gas Heat (4 Stage) 28,000/81,000/113,000/150,000 Btuh

Standard or Low NOx

- Specify standard gas heat or Low NOx (40 ng/J) option (three phase models only)

NOTE - All single phase models are Low NOx (40 ng/J) equipped.

NOTE - High Gas Heat (4 Stage) is only available with LGH060H4E high efficiency, direct drive, Low NOx, models.

FEATURES AND BENEFITS

HEATING SYSTEM (continued)

Options/Accessories

Factory Installed

Stainless Steel Heat Exchanger

- Required if mixed air temperature is below 45 °F

Vertical Vent Extension Kit

- Use to exhaust flue gases vertically above unit
- Required when unit vent is too close to fresh air intakes per building codes
- Prevents ice formation on intake louvers
- Kit contains vent transition, drain cap and installation hardware

NOTE - Straight vent pipe (3 in. B-Vent), vent tee and vent cap are not furnished and must be field supplied. Refer to kit instructions for additional information.

Factory or Field Installed

Low Temperature Vestibule Heater

- Extends gas heat operation from -40°F (standard) down to -60°F
- Electric heater automatically controls minimum temperature in gas burner compartment when temperature falls below -40°F

Field Installed

Combustion Air Intake Extensions

- Recommended for use with existing flue extension kits in areas where high snow can block intake air

LPG/Propane Kits

- Conversion kit to field change over units from Natural Gas to LPG/Propane

COOLING SYSTEM

- Designed to maximize sensible and latent cooling performance at design conditions
- System can operate from 0°F to 125°F without any additional controls

R-410A Refrigerant

- Non-chlorine based
- Ozone friendly

2 Two-Stage Compressor (3 to 5 and 6 Ton 074 Models)

- Scroll compressors on all models for high performance, reliability and quiet operation
- Two-stage scroll compressors are furnished on 3 to 5 ton and 6 ton 074 models for increased part load efficiency
- Single speed scroll furnished on 6 ton 072 models
- Resiliently mounted on rubber grommets for quiet operation

Compressor Crankcase Heater

- Protects against refrigerant migration that can occur during low ambient operation or during extended off cycles

Thermal Expansion Valve

- Ensures optimal performance throughout the application range
- Removable element head

3 Filter/Drier

- High capacity filter/drier protects the system from dirt and moisture

High Pressure Switch

- Protects the compressor from overload conditions such as dirty condenser coils, blocked refrigerant flow, or loss of outdoor fan operation

Low Pressure Switch

- Protects the compressor from low pressure conditions such as low refrigerant charge, or low/no airflow

Freezestat

- Protects the evaporator coil from damaging ice build-up due to conditions such as low/no airflow, or low refrigerant charge

4 Condenser Coil - Environ™ Coil System

- Condenser coil features lightweight, all aluminum brazed fin construction
- Constructed of three components:
 - A flat extrusion tube
 - Fins in-between the flat extrusion tube
 - Two refrigerant manifolds



Environ™ Coil System Features:

- Improved heat transfer performance due to high primary surface area (flat tubes) versus secondary surface (fins)
- Smaller internal volume (reduced refrigerant charge)
- High durability
- Fewer brazed joints
- Compact design
- Easy maintenance/cleaning
- Face-split design
- Mounting brackets with rubber inserts secure coil to unit providing vibration dampening and corrosion protection

Evaporator Coil

- Copper tube construction
- Enhanced rippled-edge aluminum fins
- Flared shoulder tubing connections
- Silver soldered construction
- Factory leak tested
- Cross-row circuiting with rifled tubing

Condensate Drain Pan

- Plastic pan, sloped to meet drainage requirements of ASHRAE 62.1
- Side or bottom drain connections
- Reversible to allow connection at back of unit

FEATURES AND BENEFITS

COOLING SYSTEM (continued)

- 5** Variable Speed Outdoor Coil Fan Motor (3, 4, 5 Ton High Efficiency models only)
- Variable speed (ECM) fan motor for energy efficient MSAV® (Multi-Stage Air Volume) operation and quiet operation
 - Thermal overload protected
 - Totally enclosed
 - Permanently lubricated ball bearings
 - Shaft up
 - Wire basket mount

Outdoor Coil Fan

- PVC coated fan guard furnished

Required Selections

Cooling Capacity

- Specify nominal cooling capacity

Cooling Efficiency (3 to 5 Ton models only)

- Specify either standard or high efficiency

Options/Accessories

Factory Installed

Conventional Fin/Tube Condenser Coil (replaces Environ™ Coil System)

- Copper tube construction
- Enhanced rippled-edge aluminum fins
- Flared shoulder tubing connections
- Silver soldered construction

Service Valves

- Fully serviceable brass valves installed in discharge & liquid lines

NOTE - Not available for units equipped with Environ™ Coil System or Humiditrol Dehumidification Option.

Factory or Field Installed

Condensate Drain Trap

- Constructed of PVC (factory or field) or copper (field only)

NOTE - Trap is field installed only; PVC version may be factory ordered to ship with unit.

Drain Pan Overflow Switch

- Monitors condensate level in drain pan
- Shuts down unit if drain becomes clogged

CABINET

6 Construction

- Heavy-gauge steel panels
- Full perimeter heavy-gauge galvanized steel base rail
- Base rails have rigging holes
- Three sides of the base rail have forklift slots
- Raised edges around duct and power entry openings in the bottom of the unit for water protection

Airflow Choice

- Units are shipped in downflow (vertical) return air flow configuration

NOTE - Units can be field converted to horizontal airflow with optional Horizontal Discharge Kit.

Duct Flanges

- Provided for horizontal duct attachment

Power/Gas Entry

- Electrical and gas lines can be brought through the unit base or through horizontal access knock-outs

Exterior Panels

- Constructed of heavy-gauge, galvanized steel
- Two-layer enamel paint finish

Insulation

- Fully insulated with non-hygroscopic fiberglass insulation (conditioned areas)
- Unit base is fully insulated
- Base insulation serves as an air seal to the roof curb, eliminating the need to add a seal during installation

7 Hinged Access Panels

- Tool-less access
- Economizer/ Filter sections
- Compressor/controls sections
- Panel seals and quarter-turn latching handles provide a tight air and water seal

NOTE - Optional Economizers, Power Exhaust, Outdoor Air Dampers and Barometric Relief Dampers for 060/072/074 models include a filler panel for proper cabinet fit.

FEATURES AND BENEFITS

CABINET (continued)

Required Selections

Airflow Configuration

- Specify horizontal or downflow

Options/Accessories

Factory Installed

Corrosion Protection

- Completely flexible immersed coating
- Electrodeposited dry film process
- AST ElectroFin E-Coat
- Meets Mil Spec MIL-P-53084, ASTM B117 Standard Method Salt Spray Testing
- Indoor Corrosion Protection:
 - Coated coil
 - Coated reheat coil
 - Painted blower housing
 - Painted base
- Outdoor Corrosion Protection:
 - Coated coil
 - Painted outdoor base

Field Installed

Combination Coil/Hail Guards

- Heavy gauge steel frame
- Painted to match cabinet
- Expanded metal mesh protects outdoor coil

BLOWER

A wide selection of supply air blower options are available to meet a variety of airflow requirements.

Motor

- Overload protected, equipped with ball bearings
- Variable-speed ECM direct drive motors are offered on 036, 048 and 060 models
- Belt drive motors with two-speed capability (low static/high static) are available on 036, 048, 060 and 074 models in several different sizes to maximize air performance
- Single speed belt drive motors are available in different sizes to meet static requirements on 072 models

8 Supply Air Blower

- Forward curved blades
- Double inlet
- Blower wheel statically and dynamically balanced
- Ball bearings
- Adjustable pulley (allows speed change)
- Blower assembly slides out of unit for servicing

Ordering Information

- Specify motor horsepower and drive kit number when base unit is ordered

Required Selections

- Order one drive kit, see Drive Kit Specifications Table

Options/Accessories

Factory Installed

Blower Belt Auto Tensioner

- Provides proper tension to belt drive blower belt without the need for regular adjustments
- Maintains airflow and proper performance

ELECTRICAL

SmartWire™ System

- Keyed and color-coded wiring connectors prevent miswiring
- Wire coloring scheme is standardized across all models
- Each connection is intuitively labeled to make troubleshooting and servicing quick and easy

Electrical Plugs

- Positive connection electrical plugs are used to connect common accessories or maintenance parts for easy removal or installation

Required Selections

Voltage Choice

- Specify when ordering base unit

Options/Accessories

Factory Installed

Circuit Breakers

- HACR type
- For overload and short circuit protection
- Factory wired and mounted in the power entry panel
- Current sensitive and temperature activated
- Manual reset

Phase/Voltage Detection (3 Phase models only)

- Monitors power supply to assure phase is correct at unit start-up
- If phase is incorrect, the unit will not start and an alarm code is reported to the unit controller
- Protects unit from being started with incorrect phasing which could lead to issues such as compressors running backwards
- Voltage detection monitors power supply voltage to assure proper voltage
- If voltage is not correct (over/under voltage conditions) the unit will not start and an alarm code is reported to the unit controller

NOTE - Phase/voltage detection is furnished when the MSAV Multi-Stage Air Volume option is ordered.

Short-Circuit Current Rating (SCCR)

- Higher short circuit protection up to 100kA

NOTE - Disconnect Switch is furnished and factory installed with High SCCR option.

FEATURES AND BENEFITS

ELECTRICAL (continued)

Factory or Field Installed

Disconnect Switch

- Accessible outside of unit
- Spring loaded weatherproof cover furnished

GFI Service Outlets (2)

- 115V ground fault circuit interrupter (GFCI) type options:
 - Factory installed, non-powered, field wired
 - Field installed, non-powered, field wired

INDOOR AIR QUALITY

9 Air Filters

- Disposable 2 inch filters furnished as standard

Options/Accessories

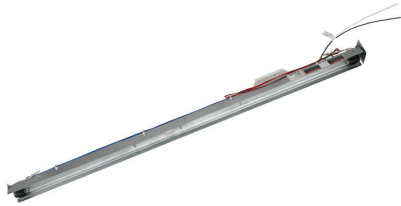
Factory or Field Installed

Healthy Climate® High Efficiency Air Filters

- Disposable MERV 8, MERV 13 or MERV 16 (Minimum Efficiency Reporting Value based on ASHRAE 52.2) efficiency 2-inch pleated filters

Field Installed

Healthy Climate® UVC Germicidal Lamps



- Germicidal lamps emit ultra-violet (UV-C) energy, which has been proven to be effective in reducing microbes such as viruses, bacteria, yeasts, and molds
- This process either destroys the organism or controls its ability to reproduce
- UV-C energy greatly reduces the growth and proliferation of mold and other bioaerosols (bacteria and viruses) on illuminated surfaces (particularly coil and drain pan)
- Field installed in the blower/evaporator coil section
- Magnetic safety interlock terminates power when access panels are removed
- All necessary hardware for installation is included
- Lamps operate on 110/230V, 1 phase power supply

NOTE - Step-down transformer may be ordered separately for 460V and 575V units.

- Approved by ETL

Indoor Air Quality (CO₂) Sensors

- Monitors CO₂ levels
- Reports to the Prodigy 2.0 Unit Controller, which adjusts economizer dampers as needed

Replacement Filter Media Kit With Frame

- Replaces existing pleated filter media
- Includes washable metal mesh screen and metal frame with clip for holding replaceable non-pleated filter

Needlepoint Bipolar Ionization (NPBI) Kit

- NPBI technology integrates with system controls for effective air treatment
- Ionization has been shown to effectively reduce harmful pathogens, pollutants and odors

NOTE - Please visit www.sciencedirect.com for additional information.

- Brush-type ionizer introduces a high concentration of both positive and negative ions into the airstream
- These bipolar ions are then dispersed into the occupied space through the duct system proactively reducing the airborne contaminants
- Ions travel within the building air stream and attach to particles, pathogens, and gas molecules, making them larger and easier to capture in the filtration system
- UL 2998 certified for zero ozone emission

CONTROL SYSTEM

PRODIGY 2.0 CONTROL SYSTEM



10 The Prodigy 2.0 unit controller is a microprocessor-based controller that provides flexible control of all unit functions.

Features:

- LCD Display
- Easy to read menu (4 lines x 20 character display)
- Buttons for menu navigation during setup and diagnostic
- Menu navigation LEDs for Data, Setup, Service, Settings
- Main Menu and Help Buttons for quick navigation to home screen and built-in help functions
- Scroll, Value Adjustment Select and Save Buttons
- Setup menu insures proper installation and simplified setup of the rooftop unit
- Profile setup copies key settings between units with the same configuration to reduce setup time
- USB port allows a technician to download and transfer unit information to help verify service was performed
- USB software updates on the Prodigy® Control System enhance functionality without the need to change components
- Unit Controller Software
- Unit self-test verifies individual critical component and system performance
- Economizer test function assures economizer is operating correctly
- Time Clock with Run-Time Information

Built-In Functions Include:

- Adjustable Blower On/Off Delay
- Built-in Control Parameter Defaults
- Compressor Time-Off Delay
- DDC Compatible
- Dirty Filter Switch Input
- Discharge Air Temperature Control
- Display/Sensor Readout
- Economizer Control Options (See Economizer / Exhaust Air / Outdoor Air sections)
- Fresh Air Tempering
- Over 100 diagnostic and status messages in English
- Exhaust Fan Control Modes for fresh air damper position
- Permanent Diagnostic Code Storage
- Field Adjustable Control Parameters (Over 200 settings)
- Indoor Air Quality Input (Demand Control Ventilation)
- Low Ambient Controls for cooling operation down to 0°F

- Gas Valve Time Delay Between First and Second Stage
- Minimum Compressor Run Time
- Network Capable (Can be daisy chained to other units or controls)
- Night Setback Mode
- Return Air Temperature Limit Control
- Safety Switch Input allows Controller to respond to a external safety switch trip
- Service Relay Output
- Smoke Alarm Mode has four choices (unit off, positive pressure, negative pressure, purge)
- Up to 2 heat/2 cool (standard Prodigy® unit controller thermostat input)
- Up to 3 cool with additional relay
- Up to 4 cool with room sensor or network operation
- "Strike Three" Protection
- Gas Reheat Control allows simultaneous heating and cooling operation for humidity control of process air applications such as supermarkets
- On Demand Dehumidification monitors and controls condenser hot gas reheat operation with Humiditrol® dehumidification option
- Thermostat Bounce Delay
- Warm Up Mode Delay
- LED Indicators
- PC Interface connects the Prodigy 2.0 unit controller to a PC with the Lennox Unit Controller Software
- Room Sensor Operation controls temperature

Options/Accessories

Factory or Field Installed

Blower Proving Switch

- Monitors blower operation
- Shuts down unit if blower stops

Dirty Filter Switch

- Senses static pressure increase

Controls Options

Factory Installed

SmartAirflow® System (Available for 3, 4, and 5 Ton High Efficiency Models Equipped With a Direct Drive Blower and Economizer)

- Complete airflow management system that precisely controls the economizer damper for accurate ventilation
- Allows the installer to directly enter the design-specified supply air (blower) and outdoor air volume (economizer minimum position) parameters without the need to manually take measurements and adjust settings
- Monitors supply air volume and outside air volume as well as customizable diagnostics

NOTE - SmartAirflow® is not available for single phase units or LGH060H4E high efficiency units with High Gas Heat (4 Stage), direct drive blower and Low NOx options installed.

CONTROL SYSTEM

PRODIGY 2.0 CONTROL SYSTEM (continued)

Controls Options (continued)

Factory or Field Installed

Fresh Air Tempering

- Used in applications with high outside air requirements
- Controller energizes the first stage heat as needed to maintain a minimum supply air temperature for comfort, regardless of the thermostat demand
- When ordered as a factory option, sensor ships with the unit for field installation

Smoke Detector

- Photoelectric type
- Installed in supply air section, return air section or both sections
- Available with power board and single sensor (supply or return) or power board and two sensors (supply and return)
- Power board located in unit control compartment

Interoperability via BACnet® or LonTalk® Protocols

- Communication compatible with third-party automation systems that support the BACnet Application Specific Controller device profile, LonMark® Space Comfort Controller functional profile, or LonMark Discharge Air Controller functional profile

Commercial Control Systems

After-Market DDC

- Novar® Unit Controller and options

Thermostats

- Control system and thermostat options
- After-Market unit controller options

Field Installed

General Purpose Control Kit

- Plug-in control provides additional analog and digital inputs/outputs for field installed options

Humidity Sensor Kit

- Humidity sensor required with factory installed Humiditrol® Dehumidification Option or Supermarket reheat field selectable option

NOTE - Prodigy 2.0 Control System features vary with the type of rooftop unit in which the control is installed.

NOTE - See separate Prodigy® Control System Product Specifications Bulletin for additional information.

OPTIONS / ACCESSORIES

ECONOMIZER

- 11 • Economizer operation is set and controlled by the Prodigy 2.0 Unit Controller
 - Simple plug-in connections from economizer to unit controller for easy installation
 - All Emergence® rooftop units are equipped with factory installed CEC Title 24 approved sensors for outside, return and discharge air temperature monitoring
- NOTE** - Optional sensors may be used instead of unit sensors to determine whether outdoor air is suitable for free cooling. See Options/Accessories table.

Factory or Field Installed

High Performance Economizer

- Approved for California Title 24 building standards
- Low leakage dampers are Air Movement and Control Association International (AMCA) Class 1A Certified - Maximum 3 CFM per sq. ft. leakage at 1 in. w.g.
- ASHRAE 90.1 compliant
- Combination Outdoor Air Hood is furnished
- Factory installed Economizer can be ordered with three exhaust options:

- Barometric Relief Dampers
- Power Exhaust Fan

NOTE - See Power Exhaust Fan section for additional requirements.

- No Exhaust
- Field installed Economizer includes Barometric Relief Dampers with Combination Hood
- Barometric Relief Dampers allow relief of excess air
- Dampers prevent blow back and outdoor air infiltration during off cycle
- Bird screen furnished

NOTE - Barometric Relief Dampers are required when Economizer is factory installed with factory installed Power Exhaust Fan option. See Power Exhaust Fan section and Options/Accessories table.

- Demand Control Ventilation (DCV) ready using optional CO₂ sensors.
- Horizontal Barometric Dampers are required for horizontal Economizer applications and must be ordered separately.
- Gear-driven action
- High torque 24-volt
- Fully-modulating spring return damper motor
- Return air and outdoor air dampers
- Plug-in connections to unit
- Nylon bearings
- Enhanced thermoplastic vulcanizate (TPV) seals
- Flexible stainless steel jamb seals to minimize air leakage

ECONOMIZER (continued)

OPTIONS / ACCESSORIES

Factory or Field Installed (continued)

NOTE - High Performance Economizers are not approved for use with enthalpy controls in Title 24 applications.

NOTE - The Free Cooling setpoint for Title 24 applications must be set based on the Climate Zone where the system is installed. See Section 140.4 "Prescriptive Requirements for Space Conditioning Systems" of the California Energy Commission's 2013 Building Energy Efficiency Standards.

NOTE - Refer to Installation Instructions for complete setup information.

Differential Sensible Control

- Factory setting
- Uses outdoor air and return air sensors that are furnished with the unit
- The Prodigy 2.0 unit controller compares outdoor air and return air and using setpoints
- Engages the economizer when the outdoor air temperature is below the configured setpoint and cooler than return air

NOTE - Differential Sensible Control can be configured in the field to provide Offset Differential Sensible Control or Single Sensible Control.

NOTE - In Offset Differential Sensible Control mode, the economizer is enabled if the temperature differential (offset) between outdoor air and return air reaches the configured setpoint

NOTE - In Single Sensible Control mode, the economizer is enabled when outdoor air temperature falls below the configured setpoint

Global Control

- The unit controller communicates with a DDC system with one global sensor (enthalpy or sensible) to determine whether outside air is suitable for free cooling on all units connected to the control system. Sensor must be field provided.

NOTE - Global control with enthalpy is not approved for Title 24 applications.

Single Enthalpy Temperature Control (Not for Title 24)

- Outdoor air enthalpy sensor enables Economizer if the outdoor enthalpy is less than the setpoint of the control.

Differential Enthalpy Control (Not for Title 24)

- Order two Single Enthalpy Controls.
 - One is field installed in the return air section
 - One in the outdoor air section
- Allows the economizer control to select between outdoor air or return air, whichever has lower enthalpy

Field Installed

Building Pressure Control

- Maintains constant building pressure level
- Using differential pressure information between the outdoor air and the building air, the Prodigy 2.0 unit controller changes the economizer position to help maintain a constant building pressure

NOTE - Not available with Demand Control Ventilation (CO₂ Sensor).

Horizontal Barometric Relief Dampers

- For use when unit is configured for horizontal applications with an economizer
- Allows relief of excess air
- Blade type dampers prevent blow back and outdoor air infiltration during off cycle
- Field installed in return air duct
- Exhaust hood with bird screen furnished
- Requires Horizontal Economizer Conversion Kit

Horizontal Economizer Conversion Kit

- Insulated panel covers the bottom return air opening on the unit base to convert downflow economizer to horizontal air flow

EXHAUST

Factory or Field Installed

Power Exhaust Fan

- Installs internal to unit for downflow applications only with economizer option
- Provides exhaust air pressure relief
- Interlocked to run when supply air blower is operating
- Fan runs when outdoor air dampers are 50% open (adjustable)
- Motor is overload protected
- Fan is 16 in. diameter
- Four blades
- One 1/3 hp motor

NOTE - If Power Exhaust is field installed with a factory installed Economizer, the Economizer must be ordered with No Exhaust option. Barometric Relief Dampers must also be ordered separately for field installation.

NOTE - If Power Exhaust is factory installed with a factory installed Economizer, Barometric Relief Dampers must also be ordered separately for field installation.

OPTIONS / ACCESSORIES

OUTDOOR AIR

Factory or Field Installed

Outdoor Air Damper

- Downflow or Horizontal
- Linked mechanical dampers
- 0 to 25% (fixed) outdoor air adjustable
- Installs in unit
- Includes outdoor air hood
- Automatic model features fully modulating spring return damper motor with plug-in connection
- Manual model features parallel blade, gear-driven dampers with adjustable fixed position

ROOF CURBS

Field Installed

- Nailer strip furnished (downflow only)
- Mates to unit
- US National Roofing Contractors Approved
- Shipped knocked down

Hybrid Roof Curbs, Downflow

- Interlocking tabs fasten corners together
- No tools required
- Can also be fastened together with furnished hardware
- Available in 8, 14, 18, and 24 inch heights

Adjustable Pitch Curb

- Fully adjustable pitch curbs (3/4 in. per foot in any direction) provide a level platform for rooftop units allowing flexible installations on roofs with uneven or sloped angles
- Uses interlocking tabs to fasten corners together. No tools required
- Hardware is furnished to connect upper curb with lower curb
- Available in 14 inch height

Adaptor Curbs (not shown)

- Curbs are regionally sourced
- Dimensions vary based upon the source

NOTE - Contact your local sales representative for a detailed cut sheet with applicable dimensions.

CEILING DIFFUSERS

Field Installed

Ceiling Diffusers

(Flush or Step-Down)

- White powder coat finish on diffuser face and grilles
- Insulated UL listed duct liner
- Diffuser box has collars for duct connection
- Step-down diffusers have double deflection blades
- Flush diffusers have fixed blades
- Provisions for suspending
- Internally sealed to prevent recirculation
- Removable return air grille
- Adapts to T-bar ceiling grids or plaster ceilings

Transitions (Supply and Return)

- Used with diffusers
- Installs in roof curb
- Galvanized steel construction
- Flanges furnished for duct connection to diffusers
- Fully insulated

HUMIDITROL® DEHUMIDIFICATION SYSTEM OPTION

OVERVIEW

- Factory installed option designed to control humidity
- Provides dehumidification on demand using ASHRAE 90.1 recommended method for comfort conditioning humidity control
- Unit comes equipped with one row reheat coil, solenoid valve and humidity controller
- A thermostat with a dehumidification output, a dehumidistat, or a DDC controller with an isolated output is required to control humidity and must be located in the occupied space

BENEFITS

- Improves indoor air quality
- Helps prevent damage due to high humidity levels
- Improves comfort levels by reducing space humidity levels

OPERATION

No Dehumidification Demand

- The unit will operate conventionally whenever there is a demand for cooling or heating and no dehumidification demand
- Free cooling is only permitted when there is no demand for dehumidification

Dehumidification Demand Only

- The Unit Controller is factory set at 60% relative humidity setpoint and can be adjusted at the Unit Controller or with optional Unit Controller Software
- For L Connection® Network Control Panel (NCP) applications, the humidity setpoint can be adjusted at the NCP
- Reheat operation will initiate on a dehumidification demand and does not require a cooling demand
- The unit will operate in the dehumidification mode until the relative humidity of the conditioned space is below the setpoint
- The reheat coil is sized to provide 68°F to 75°F supply air during reheat operation
- This reduces sensible cooling capacity and extends compressor run time to control humidity when the cooling load is low
- A solenoid valve diverts hot gas from the compressor to the reheat coil
- The cooled and dehumidified air from the evaporator is reheated as it passes through the reheat coil
- The de-superheated and partially condensed refrigerant continues to the outdoor condenser coil where condensing is completed

- Unit will continue to operate in this mode until the dehumidification demand is satisfied

NOTE - See Sequence of Operation for additional information.

Dehumidification and Cooling Demand (Thermostat/ Room Sensor Application)

Two-stage compressor models (036, 048, 060, 074)

- If both a dehumidification and a 1st stage cooling demand occur, the system will operate in the full cooling mode at first stage indoor air flow. If a 2nd stage cooling demand occurs along with a dehumidification demand, the system operates in full cooling mode at full cooling airflow until the 2nd stage cooling demand is satisfied
- Then the system will revert to the dehumidification mode if a dehumidification mode demand is present

Single speed compressor model (072H)

- If both a dehumidification and a cooling demand occur, the system will operate in cooling until the cooling demand is satisfied
- Then the system will energize the dehumidification mode

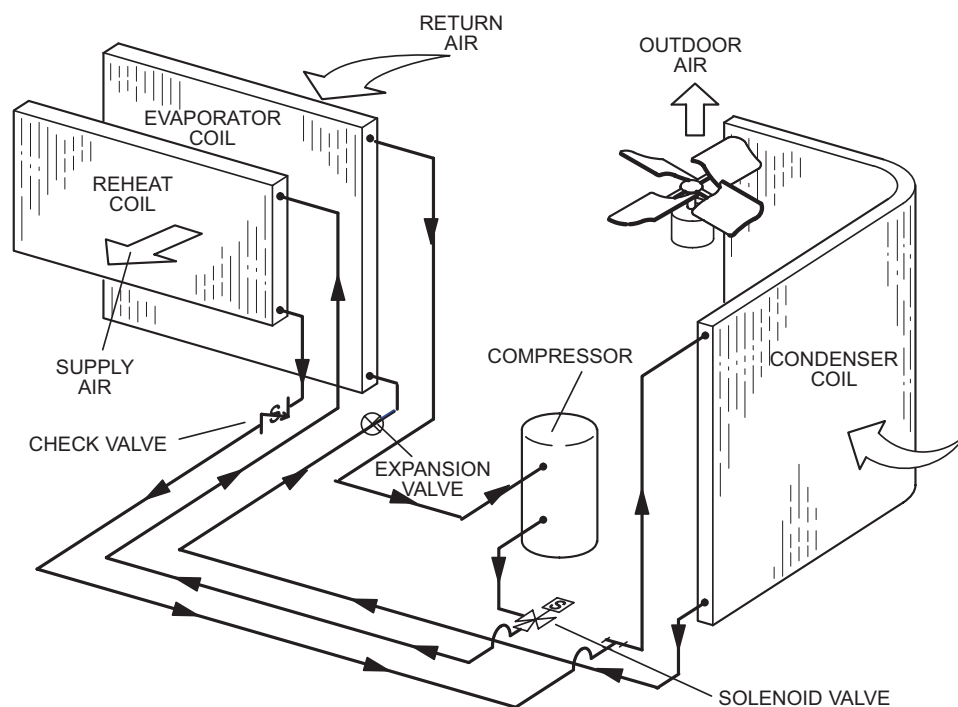
Options/Accessories

Humidity Sensor Kit

- Remote mounted dehumidistat for factory installed Humiditrol® option or Supermarket reheat field selectable option

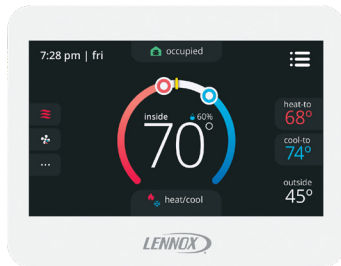
NOTE - A thermostat with a dehumidification output or a DDC controller with an isolated output can be used instead.

TYPICAL DEHUMIDIFICATION SCHEMATIC



OPTIONAL CONVENTIONAL TEMPERATURE CONTROL SYSTEMS

CS8500 Commercial 7-Day Programmable Thermostat



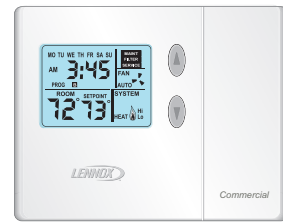
- Fully Communicating Sensor
- Full Color Touchscreen Interface
- Variable Speed System Control (On Compatible Units)
- Up To 4 Heat / 4 Cool
- Built-In Sensors For Temperature, Humidity And Optional CO₂
- Remote Sensor Options For Occupancy, Temperature
- BACnet Capable Options
- 5-2 or 7-Day Scheduling
- Smooth Setback Recovery
- Heat/Cool Auto-Changeover
- Four-Wire Installation
- FDD, ASHRAE, IECC Compliant

CS7500 Commercial 7-Day Programmable Thermostat



- Premium Universal Thermostat
- Full Color Touchscreen Interface
- Up To 4 Heat / 4 Cool
- Built-In Sensors For Temperature and Humidity
- Remote Sensors Options For Temperature, Discharge Air, Outdoor Air
- 5-2 or 7-Day Scheduling
- Smooth Setback Recovery
- Heat/Cool Auto-Changeover
- FDD, ASHRAE, IECC Compliant

CS3000 Commercial 5-2 Day Programmable Thermostat



- Conventional Multi-Stage Thermostat
- Intuitive Display
- Push-Button Operation
- Up To 2 Heat / 2 Cool
- Built-In Temperature Sensor
- Remote Temperature Sensing
- Up to 5-2 Day Scheduling
- Smooth Setback Recovery
- Heat/Cool Auto-changeover

Wired Room Sensor (LCS-5030)



- Simple Push-Button Override
- Variable Speed System Control (On Compatible Units)
- Up To 4 Heat / 4 Cool
- Built-In Temperature and Humidity Sensors
- AA Battery / 24VAC Powered
- SBUS Wired Operation
- Automatic Sensor Averaging
- Locking Hex Screw

OPTIONAL CONVENTIONAL TEMPERATURE CONTROL SYSTEMS

Description	Catalog No.
CS8500 Commercial 7 Day Programmable Thermostat	
CS8500 7-Day Thermostat	No CO ₂ Sensing 17G75
	With CO ₂ Sensing 17G76
Sensors/Accessories	¹ Remote non-adjustable wall-mount 10k 47W37
	¹ Remote non-adjustable wall-mount 11k 94L61
Sysbus Network Cable (Yellow) for ComfortSense 8500 and LCS-5030 Wired Room Sensor	
Twisted pair 100% shielded communication cable, Red and Black	500 ft. box 27M19
22 AWG, yellow jacket, rated at 75°C, 300V, Plenum rated	1000 ft. box 94L63
Insulation - Low smoke PVC, NEC, CMP	2500 ft. roll 68M25
CS7500 Commercial 7-Day Programmable Thermostat	
CS7500 7-Day Thermostat	17G74
Sensors/Accessories	² Remote non-adjustable wall-mount 20k 47W36
	² Remote non-adjustable wall-mount 10k 47W37
	Remote non-adjustable discharge air (duct mount) 19L22
	Outdoor temperature sensor X2658
CS3000 Commercial 5-2 Day Programmable Thermostat	
CS3000 5-2 Day Thermostat	11Y05
Sensors/Accessories	Remote non-adjustable wall mount 10k averaging 47W37
	Thermostat wall mounting plate X2659
CS3000 Non-Programmable Thermostat	
CS3000 Non-Programmable Thermostat	51M32
Universal Thermostat Guard with Lock (clear)	
	Inside Dimensions (H x W) 5 7/8 x 8 3/8 in. 39P21
Wired Room Sensor	
LCS-5030 Wired Room Sensor	21L07

¹ Up to nine of the same type remote temperature sensors can be connected in parallel.

² Remote wall-mount sensors can be applied in any of the following combinations:

One Sensor - (1) 47W36, Two Sensors - (2) 47W37, Three Sensors - (2) 47W36 and (1) 47W37

Four Sensors - (4) 47W36, Five Sensors - (3) 47W36 and (2) 47W37

Objective: Outline the unit functions as a result of room thermostat or zone sensor demands.

Given: When economizer is present, it will function as initial part of the unit cooling system. When not present, unit will function as if outdoor ambient is high and sensed as not suitable.

DIRECT DRIVE AND BELT DRIVE SYSTEM OPERATION (3 THROUGH 5 TONS AND 6 TON 074 MODELS):

NOTE: Direct drive units feature ECM condenser fans that are staged to match the compressor's capacity. When the compressor is operating at first stage, the condenser fan is operating at low speed. The condenser fan switches to high speed when the compressor switches to second stage to match operation.

Modulating Outdoor Air Damper:

Damper minimum positions #1 and 2 are adjusted during unit setup to provide minimum fresh air requirements at the indicated supply fan speeds per ASHRAE 62.1.

- Supply fan is off and the outdoor air damper is closed
- Supply fan is on low speed and the outdoor air damper is at minimum position 1
- Supply fan is on high speed and the outdoor air damper is at minimum position 2

¹ Unit Features an Economizer and Outdoor Air is Suitable

Cooling - Thermostat or Zone Sensor Mode (Up to 3 stages Y1, Y2, Y3)

Y1 Demand:

Compressor is off, supply fan is on low speed, economizer modulates (minimum to maximum open position) to maintain 55°F supply air temperature (default unit controller setting)

After 5 minutes (default unit controller setting), supply fan switches to high speed. Economizer continues modulating with supply fan on high speed to maintain 55°F supply air temperature

Y2 Demand:

Compressor is off, supply fan is on high speed, and economizer modulates to maintain 55°F supply air temperature

Economizer opens to maximum. If economizer stays at maximum open for 3 minutes (default unit controller setting) compressor is energized and operates at first stage while supply fan stays on high speed

¹ Outdoor air suitability is determined by the energy state of outdoor ambient (enthalpy or sensible) and its ability to achieve the desired free cooling effects. Outdoor air suitability can also be determined by a third party controller and provided to the RTU via a network connection.

Y3 Demand:

Economizer is at maximum open and compressor operates at first stage. If economizer stays at maximum open for 3 minutes (default unit controller setting) compressor switches to second stage operation while supply fan stays on high speed

Unit Does Not Feature an Economizer (or Outdoor Air Is Not Suitable)

Cooling - Thermostat or Zone Sensor (Up to 2 stages Y1, Y2)

Y1 Demand:

Compressor operates at first stage and supply fan operates at low speed

Y2 Demand:

Compressor operates at second stage and supply fan operates at high speed

(Continued on Next Page)

DIRECT DRIVE AND BELT DRIVE SYSTEM OPERATION (3 THROUGH 5 TONS AND 6 TON 074 MODELS)

(Continued):

Dehumidification Mode (economizer free cooling is locked out):

Unit features the Humiditol® Dehumidification option

No Y1, Y2 Demand but a call for dehumidification:

Compressor operates at second stage, supply fan operates at low speed, and the reheat valve is energized

Y1 Demand:

Compressor operates at second stage, outdoor fan operates at high speed, supply fan operates at low speed and the reheat valve is de-energized

Y2 Demand:

Compressor operates at second stage, supply fan operates at high speed, and the reheat valve is de-energized

Heating Mode: Thermostat or Zone Sensor (Up to 2 stages W1, W2)**W1 Demand:**

Gas valve is open (stage 1 on units with 2 stage gas valve) and the supply fan operates at high speed

W2 Demand:

Gas valve is open (stage 2 on units with 2 stage gas valve) and the supply fan operates at high speed

Heating Mode: Thermostat or Zone Sensor (Up to 4 stages W1, W2)

(LGH060H4E High Efficiency, Direct Drive, Low NOx, Model Only)

W1 Demand:

Gas valve is open in low and the supply fan operates at low speed

After ten minutes the 1st gas valve closes, 2nd Gas valve opens in low and the supply fan operates at low speed

W2 Demand:

1st and 2nd Gas valves open in low and the supply fan operates at high speed

After ten minutes the 1st and 2nd Gas valves open in high and the supply fan operates at high speed

If W2 Demand is satisfied, but W1 is still present, 1st Gas valve is open in low and the supply fan operates at low speed

SINGLE STAGE UNIT OPERATION (6 TON 072 MODELS)**Modulating Outdoor Air Damper:**

Damper minimum positions are adjusted during unit setup to provide minimum fresh air requirements at the indicated supply fan speeds per ASHRAE 62.1.

1. Supply fan is off and the outdoor air damper is closed
2. Supply fan is on and the outdoor air damper is at minimum position

¹ Unit Features an Economizer and Outdoor Air is Suitable

Cooling - Thermostat or Zone Sensor (Up to 2 stages Y1, Y2)

Y1 Demand:

Compressor is off, supply fan is on, economizer modulates (minimum to maximum open position) to maintain 55°F supply air temperature (default unit controller setting)

Y2 Demand:

Economizer goes to maximum open position and if the damper stays open for three minutes (default unit controller setting) the compressor is energized

Unit Does Not Feature an Economizer (or outdoor air is not suitable)

Cooling - Thermostat or Zone Sensor (Up to 1 stage Y1)

Y1 Demand:

Compressor is operating and supply fan is on

Dehumidification Mode (economizer free cooling is locked out):**Unit Features the Humiditrol® Dehumidification Option****No Y1 Demand but a call for dehumidification:**

Compressor is operating, supply fan is on, and the reheat valve is energized

Y1 Demand:

Compressor is operating, supply fan is on, and the reheat valve is de-energized

Y2 Demand:

Compressor is operating, supply fan is on, and the reheat valve is de-energized

Heating Mode Thermostat or Zone Sensor (Up to 2 stages W1, W2)**W1 Demand:**

Gas valve is open (stage 1 on units with 2 stage gas valve), supply fan is on

W2 Demand:

Gas valve is open (stage 2 on units with 2 stage gas valve), supply fan is on

OPTIONS / ACCESSORIES

Item	Catalog Number	Unit Model Number					
		036	048	060	072	074	
COOLING SYSTEM							
Condensate Drain Trap	PVC	22H54	OX	OX	OX	OX	OX
	Copper	76W27	X	X	X	X	X
Conventional Fin/Tube Condenser Coil (replaces Environ™ Coil System)	Factory		O	O	O	O	O
Drain Pan Overflow Switch	21Z07		OX	OX	OX	OX	OX
Efficiency	Standard	Factory	O	O	O		
	High	Factory	O	O	O	O	O
Service Valves (not for Environ™ Coil System or Humiditrol® Dehumidification Option)	Factory		O	O	O	O	O
HEATING SYSTEM							
Bottom Gas Piping Kit	19W50		OX	OX	OX	OX	OX
Combustion Air Intake Extensions	19W51		X	X	X	X	X
Gas Heat Input	Standard One-Stage - 65 kBtuh input	Factory	O	O	O	O	O
	Standard Two-Stage - 53/70 kBtuh input	Factory	¹ O	¹ O	¹ O	¹ O	¹ O
	Medium One-Stage - 108 kBtuh input	Factory	O	O	O	O	O
	Medium Two Stage - 81/108 kBtuh input	Factory	O	O	O	O	O
	High One-Stage - 150 kBtuh input	Factory		O	O	O	O
	High Two-Stage - 113/150 kBtuh input	Factory		O	O	O	O
	High Four-Stage - 28/81/113/150 kBtuh input	Factory			² O		
Low Temperature Vestibule Heater	208/230V-1 or 3ph	21Z17	OX	OX	OX	OX	OX
	460V-3ph	21Z18	OX	OX	OX	OX	OX
	575V-3ph	21Z19	OX	OX	OX	OX	OX
LPG/Propane Conversion Kits	For one-stage standard, medium and high models	21Z22	X	X	X	X	X
	For two-stage standard models	21Z24	X	X	X	X	X
	For two-stage medium and high models	21Z23	X	X	X	X	X
	For four-stage high models	21Z25			X		
Stainless Steel Heat Exchanger	Factory	O	O	O	O	O	
Vertical Vent Extension	31W62		X	X	X	X	
BLOWER - SUPPLY AIR							
Motors	Direct Drive - 0.50 hp	Factory	O				
	Direct Drive - 0.75 hp	Factory		O			
	Direct Drive - 1 hp	Factory			O		
	Belt Drive - 0.75 hp (2 Speed)	Factory	O	O			
	Belt Drive - 1 hp (2 Speed)	Factory	O		O		O
	Belt Drive - 2 hp (2 Speed)	Factory		O	O		O
	Belt Drive - 1 hp Standard Efficiency	Factory				O	
	Belt Drive - 2 hp Standard Efficiency	Factory				O	
	Drive Kits See Blower Data Tables for selection	Kit A01 - 673-1010 rpm	Factory	O			
Kit A02 - 745-1117 rpm		Factory		O			
Kit A03 - 833-1250 rpm		Factory			O		
Kit A05 - 897-1346 rpm		Factory	O				
Kit A06 - 1071-1429 rpm		Factory		O			
Kit A07 - 1212-1548 rpm		Factory			O		
Kit AA01 - 522-784 rpm		Factory				O	O
Kit AA02 - 632-875 rpm		Factory				O	O
Kit AA03 - 798-1105 rpm		Factory				O	O
Blower Belt Auto-Tensioner		Factory	O	O	O	O	O

¹ Standard Two-Stage Heat is only available with Low NOx Models.

² High Four-Stage Heat is only available with LGH060H4E high efficiency, direct drive, Low NOx, models only.

NOTE - Catalog and numbers shown are for ordering field installed accessories.

OX - Configure To Order (Factory Installed) or Field Installed

O = Configure To Order (Factory Installed)

X = Field Installed

OPTIONS / ACCESSORIES

Item	Catalog Number	Unit Model Number					
		036	048	060	072	074	
CABINET							
Combination Coil/Hail Guards	13R98	X	X				
	13T03			X	X	X	
Corrosion Protection (indoor coil / outdoor coil)	Factory	O	O	O	O	O	
CONTROLS							
Blower Proving Switch	21Z10	OX	OX	OX	OX	OX	
Commercial Controls	CPC Einstein Integration	Factory	O	O	O	O	OX
	BACnet® Module	59W51	OX	OX	OX	OX	OX
	LonTalk® Module	54W27	OX	OX	OX	OX	OX
	Novar® LSE	Factory	O	O	O	O	O
Dirty Filter Switch	53W66	OX	OX	OX	OX	OX	
General Purpose Control Kit	13J78	X	X	X	X	X	
Fresh Air Tempering	58W63	OX	OX	OX	OX	OX	
¹ SmartAirflow™ (Supply and Ventilation Airflow Control)	Factory	O	O	O			
Smoke Detector - Supply or Return (Power board and one sensor)	21Z11	OX	OX	OX	OX	OX	
Smoke Detector - Supply and Return (Power board and two sensors)	21Z12	OX	OX	OX	OX	OX	
ELECTRICAL							
Voltage 60 hz	208/230V - 1 phase	Factory	² O	² O	² O		
	208/230V - 3 phase	Factory	O	O	O	O	
	460V - 3 phase	Factory	O	O	O	O	
	575V - 3 phase	Factory	O	O	O	O	
HACR Circuit Breakers	Factory	O	O	O	O	O	
³ Short-Circuit Current Rating (SCCR) of 100kA (includes Phase/Voltage Detection)	Factory	O	O	O	O	O	
Disconnect Switch	80 amp	20W23	OX	OX			
	80 amp	22A25			OX	OX	
GFI Service Outlets	15 amp non-powered, field-wired (208/230V, 460V only)	74M70	OX	OX	OX	OX	
	⁴ 20 amp non-powered, field-wired (208/230V, 460V, 575V)	67E01	X	X	X	X	
	⁴ 20 amp non-powered, field-wired (575V)	Factory	O	O	O	O	
Weatherproof Cover for GFI	10C89	X	X	X	X	X	
Phase/Voltage Detection - 3 Phase Models Only	Factory	O	O	O	O	O	

¹ Available for 3, 4 and 5 ton high efficiency models equipped with direct drive blower and Economizer.

NOTE - Smart Airflow® is not available for single phase units or LGH060H4E high efficiency units with High Gas Heat (4 Stage), direct drive blower and Low NOx options installed.

² 208/230-1ph not available on belt drive units.

³ Disconnect Switch is furnished and factory installed with High SCCR option.

⁴ Canada requires a minimum 20 amp circuit. Select 20 amp, non-powered, field wired GFI.

NOTE - Catalog and numbers shown are for ordering field installed accessories.

OX = Configure To Order (Factory Installed) or Field Installed

O = Configure To Order (Factory Installed)

X = Field Installed

OPTIONS / ACCESSORIES

Item	Catalog Number	Unit Model Number				
		036	048	060	072	074
ECONOMIZER						
High Performance Economizer With Outdoor Air Hood (Sensible Control) (Approved for California Title 24 Building Standards / AMCA Class 1A Certified)						
High Performance Economizer - Includes Barometric Relief Dampers and Combination Hood	20H48	OX	OX	OX	OX	OX
High Performance Economizer - No Exhaust Option	Factory	O	O	O	O	O
Economizer Accessories						
Horizontal Economizer Conversion Kit	17W45	X	X	X	X	X
Economizer Controls (Not for Title 24)						
Differential Enthalpy	Order 2 21Z09	OX	OX	OX	OX	OX
Sensible Control	Sensor is Furnished Factory	O	O	O	O	O
Single Enthalpy	21Z09	OX	OX	OX	OX	OX
Global Control	Sensor Field Provided Factory	O	O	O	O	O
Building Pressure Control	13J77	X	X	X	X	X
POWER EXHAUST FAN						
Standard Static	208/230V-1 or 3ph 21Z13	OX	OX	OX	OX	OX
<i>NOTE - Factory or Field installed Power Exhaust Fan requires "Barometric Relief Dampers for Power Exhaust Kit" for field installation. See below.</i>	460V-3ph 21Z14	OX	OX	OX	OX	OX
	575V-3ph 21Z15	OX	OX	OX	OX	OX
BAROMETRIC RELIEF						
¹ Barometric Relief Dampers for Power Exhaust Kit	21Z21	X	X	X	X	X
² Horizontal Barometric Relief Dampers With Exhaust Hood	19F01	X	X	X	X	X
OUTDOOR AIR						
Outdoor Air Dampers With Outdoor Air Hood						
Motorized	15D17	OX	OX	OX	OX	OX
Manual	15D18	OX	OX	OX	OX	OX
HUMIDITROL® CONDENSER REHEAT OPTION						
Humiditrol Dehumidification Option	Factory	O	O	O	O	O
Humidity Sensor Kit, Remote mounted (required)	17M50	X	X	X	X	X

¹ Required when Economizer is factory installed with factory installed Power Exhaust Fan option.

² Required when Economizer is configured for horizontal airflow.

NOTE - Catalog and numbers shown are for ordering field installed accessories.

OX - Configure To Order (Factory Installed) or Field Installed

O = Configure To Order (Factory Installed)

X = Field Installed

OPTIONS / ACCESSORIES

Item	Catalog Number	Unit Model Number					
		036	048	060	072	074	
INDOOR AIR QUALITY							
Air Filters							
Healthy Climate® High Efficiency Air Filters Order 4 per unit	MERV 8 (16 x 20 x 2 in.)	54W20	OX	OX			
	MERV 13 (16 x 20 x 2 in.)	52W37	OX	OX			
	MERV 16 (16 x 20 x 2 in.)	22H13	OX	OX			
	MERV 8 (20 x 20 x 2 in.)	54W21			OX	OX	OX
	MERV 13 (20 x 20 x 2 in.)	52W39			OX	OX	OX
	MERV 16 (20 x 20 x 2 in.)	21U40			OX	OX	OX
Replaceable Media Filter With Metal Mesh Frame (includes non-pleated filter media)	16 x 20 x 2 in. (Order 4)	39W09	X	X			
	20 x 20 x 2 in. (Order 4)	44N60			X	X	X
Indoor Air Quality (CO₂) Sensors							
Sensor - Wall-mount, off-white plastic cover with LCD display		77N39	X	X	X	X	X
Sensor - Wall-mount, off-white plastic cover, no display		87N53	X	X	X	X	X
Sensor - Black plastic case with LCD display, rated for plenum mounting		87N52	X	X	X	X	X
Sensor - Wall-mount, black plastic case, no display, rated for plenum mounting		87N54	X	X	X	X	X
CO ₂ Sensor Duct Mounting Kit - for downflow applications		85L43	X	X	X	X	X
Aspiration Box - for duct mounting non-plenum rated CO ₂ sensors (87N53 or 77N39)		90N43	X	X	X	X	X
Needlepoint Bipolar Ionization (NPBI)							
Needlepoint Bipolar Ionization (NPBI) Kit		22U14	X	X	X	X	X
UVC Germicidal Lamps							
¹ Healthy Climate® UVC Light Kit (110/230v-1ph)		21A92	X	X	X	X	X
Step-Down Transformers	460V primary, 230V secondary	10H20	X	X	X	X	X
	575V primary, 230V secondary	10H21	X	X	X	X	X
ROOF CURBS							
Hybrid Roof Curbs, Downflow							
8 in. height		11F50	X	X	X	X	X
14 in. height		11F51	X	X	X	X	X
18 in. height		11F52	X	X	X	X	X
24 in. height		11F53	X	X	X	X	X
Adjustable Pitched Curb							
14 in. height		43W27	X	X	X	X	X
Transition Curb							
Matches Emergence® 036-074 Units to existing L Series® Curbs		20W06	X	X	X	X	X
CEILING DIFFUSERS							
Step-Down - Order one	RTD9-65S	13K60	X	X	X		
	RTD11-95S	13K61				X	X
Flush - Order one	FD9-65S	13K55	X	X	X		
	FD11-95S	13K56				X	X
Transitions (Supply and Return) - Order one	T1TRAN10AN1	17W53	X	X	X		
	T1TRAN20N-1	17W54				X	X

¹ Lamps operate on 110-230V single-phase power supply. Step-down transformer may be ordered separately for 460V and 575V units. Alternately, 110V power supply may be used to directly power the UVC ballast(s).

NOTE - Catalog and numbers shown are for ordering field installed accessories.
OX - Configure To Order (Factory Installed) or Field Installed
O = Configure To Order (Factory Installed)
X = Field Installed

SPECIFICATIONS

DIRECT DRIVE

General Data		Nominal Tonnage	3 Ton	4 Ton	5 Ton
		Model Number	LGH036H4E	LGH048H4E	LGH060H4E
		Efficiency Type	High	High	High
		Blower Type	Multi-Speed Direct Drive	Multi-Speed Direct Drive	Multi-Speed Direct Drive
Cooling Performance	Gross Cooling Capacity - Btuh		36,600	50,100	61,600
	¹ Net Cooling Capacity - Btuh		36,000	49,000	60,000
	AHRI Rated Air Flow - cfm		1200	1600	1750
	Total Unit Power - kW		2.8	3.8	4.7
	¹ SEER (Btuh/Watt) - 208/230V-1ph, 3ph		18.0	17.6	17.1
	¹ SEER (Btuh/Watt) - 460V-3ph, 575V-3ph		17.0	17.0	17.0
	¹ EER (Btuh/Watt) - 208/230V-1ph, 3ph		12.8	12.8	12.7
	¹ EER (Btuh/Watt) - 460V-3ph, 575V-3ph		12.5	12.8	12.7
Refrigerant Charge	Refrigerant Type		R-410A	R-410A	R-410A
	Environ™ Coil System		4 lbs. 5 oz.	5 lbs. 8 oz.	7 lbs. 3 oz.
	Conventional Fin/Tube Coil		8 lbs. 8 oz.	11 lbs. 2 oz.	14 lbs. 0 oz.
	Environ™ Coil System With Humiditrol®		5 lbs. 2 oz.	5 lbs. 8 oz.	7 lbs. 3 oz.
	Conventional Fin/Tube With Humiditrol®		9 lbs. 3 oz.	12 lbs. 4 oz.	16 lbs. 0 oz.
Gas Heating Options Available - See page 24			Standard (1 or 2 stage), Medium (1 or 2 stage)	Standard (1 or 2 stage), Medium (1 or 2 stage), High (1 or 2 stage)	Standard (1 or 2 stage), Medium (1 or 2 stage), High (1, 2 or 4 Stage)
Compressor Type (one per unit)			Two-Stage Scroll	Two-Stage Scroll	Two-Stage Scroll
Outdoor Coil Environ™ (Fin/Tube)	Net face area (total) - sq. ft.		11.70 (15.60)	14.50 (15.60)	17.80 (19.30)
	Tube diameter - in.		0.71 (3/8)	0.71 (3/8)	0.71 (3/8)
	Number of rows		1 (1.5)	1 (2)	1 (2)
	Fins per inch		20 (20)	20 (20)	20 (20)
Outdoor Coil Fans	Motor - (No.) horsepower		(1) 1/3 (ECM)	(1) 1/3 (ECM)	(1) 1/3 (ECM)
	Motor rpm		715-810	645-810	930-1100
	Total Motor Input - watts		112-160	89-165	230-350
	Diameter - (No.) in.		(1) 24	(1) 24	(1) 24
	Number of blades		3	3	3
	Total air volume - cfm		3400-3795	2910-3675	4315-4980
Indoor Coil	Net face area (total) - sq. ft.		7.78	7.78	9.72
	Tube diameter - in.		3/8	3/8	3/8
	Number of rows		3	4	4
	Fins per inch		14	14	14
	Drain connection (Number) and size - in.		(1) 1 NPT	(1) 1 NPT	(1) 1 NPT
	Expansion device type		Balanced Port Thermostatic Expansion Valve,removable power head		
² Indoor Blower	Nominal motor HP		0.50 (ECM)	0.75 (ECM)	1 (ECM)
	Blower wheel nominal diameter x width - in.		(1) 10 X 10	(1) 10 X 10	(1) 11 X 10
Filters	Type of filter		disposable		
	Number and size - in.		(4) 16 X 20 X 2		(4) 20 x 20 x 2
Electrical characteristics			208/230V - 60 hz - 1 phase 208/230V, 460V, or 575V - 60 hz -3 phase		

NOTE - Net capacity includes evaporator blower motor heat deduction. Gross capacity does not include evaporator blower motor heat deduction.

¹ AHRI Certified to AHRI Standard 210/240: 95°F outdoor air temperature and 80°F db/67°F wb entering evaporator air; minimum external duct static pressure.

² Using total air volume and system static pressure requirements determine from blower performance tables rpm and motor output required. Maximum usable output of motors furnished are shown. In Canada, nominal motor output is also maximum usable motor output. If motors of comparable output are used, be sure to keep within the service factor limitations outlined on the motor nameplate.

SPECIFICATIONS			BELT DRIVE					
General Data		Nominal Tonnage	3 Ton	4 Ton	5 Ton	6 Ton	6 Ton	
		Model Number	LGH036S4T	LGH048S4T	LGH060S4T	LGH072H4B	LGH074H4T	
		Efficiency Type	Standard	Standard	Standard	High	High	
		Blower Type	Two Speed Belt Drive	Two Speed Belt Drive	Two Speed Belt Drive	Single Speed Belt Drive	Two Speed Belt Drive	
Cooling Performance	Gross Cooling Capacity - Btuh		35,800	49,100	61,600	73,500	72,000	
	Net Cooling Capacity - Btuh		¹ 34,800	¹ 48,000	¹ 60,000	² 72,000	² 69,000	
	AHRI Rated Air Flow - cfm		1200	1600	1750	1920	2100	
	Total Unit Power - kW		3.0	3.9	4.8	6.0	5.7	
	SEER (Btuh/Watt)		¹ 15.0	¹ 15.0	¹ 15.5	---	---	
	EER (Btuh/Watt)		¹ 11.6	¹ 11.6	¹ 12.3	² 12.0	² 12.0	
	IEER (Btuh/Watt)		---	---	---	² 13.5	² 16.0	
Refrigerant Charge	Refrigerant Type		R-410A	R-410A	R-410A	R-410A	R-410A	
	Environ™ Coil System		4 lbs. 5 oz.	5 lbs. 8 oz.	7 lbs. 3 oz.	7 lbs. 8 oz.	7 lbs. 2 oz.	
	Conventional Fin/Tube Coil		8 lbs. 8 oz.	11 lbs. 2 oz.	14 lbs. 0 oz.	13 lbs. 12 oz.	13 lbs. 11oz	
	Environ™ Coil System With Humiditrol®		5 lbs. 2 oz.	5 lbs. 8 oz.	7 lbs. 3 oz.	9 lbs. 0 oz.	8 lbs. 15 oz.	
	Conventional Fin/Tube With Humiditrol®		9 lbs. 3 oz.	12 lbs. 4 oz.	16 lbs. 0 oz.	15 lbs. 3 oz.	15 lbs. 11oz	
Gas Heating Options Available - See page 24			Standard (1 or 2 stage), Medium (1 or 2 stage)	Standard (1 or 2 stage), Medium (1 or 2 stage) High (1 or 2 stage)	Standard (1 or 2 stage), Medium (1 or 2 stage) High (1 or 2 stage)	Standard (1 or 2 stage), Medium (1 or 2 stage) High (1 or 2 stage)	Standard (1 or 2 stage), Medium (1 or 2 stage) High (1 or 2 stage)	
Compressor Type (one per unit)			Two-Stage Scroll	Two-Stage Scroll	Two-Stage Scroll	Scroll	Two-Stage Scroll	
Outdoor Coil Environ™ (Fin/Tube)	Net face area (total) - sq. ft.		11.70 (15.60)	14.5 (15.60)	17.80 (19.30)	17.80 (19.30)	17.80 (19.30)	
	Tube diameter - in.		0.71 (3/8)	0.71 (3/8)	0.71 (3/8)	0.71 (3/8)	0.71 (3/8)	
	Number of rows		1 (1.5)	1 (2)	1 (2)	1 (2)	1 (2)	
	Fins per inch		20 (20)	20 (20)	20 (20)	20 (20)	20 (20)	
Outdoor Coil Fans	Motor - (No.) horsepower		(1) 1/6 (PSC)	(1) 1/4 (PSC)	(1) 1/3 (PSC)	(1) 1/3 (PSC)	(1) 1/3 (PSC)	
	Motor rpm		825	825	1075	1075	1075	
	Total Motor Input - watts		168	230	410	410	375	
	Diameter - (No.) in.		(1) 24	(1) 24	(1) 24	(1) 24	(1) 24	
	Number of blades		3	3	3	3	3	
	Total air volume - cfm		3000	3300	4800	4800	4800	
Indoor Coil	Net face area (total) - sq. ft.		7.78	7.78	9.72	9.72	9.72	
	Tube diameter - in.		3/8	3/8	3/8	3/8	3/8	
	Number of rows		3	4	4	4	4	
	Fins per inch		14	14	14	14	14	
	Drain connection (Number) and size - in.		(1) 1 NPT	(1) 1 NPT	(1) 1 NPT	(1) 1 NPT	(1) 1 NPT	
Expansion device type			Balanced Port Thermostatic Expansion Valve, removable power head					
³ Indoor Blower and Drive Selection	No. of Speeds		2	2	2	1	2	
	Nominal motor HP	Low static	0.75	0.75	1	1	1	
		High static	1	2	2	2	2	
	Maximum usable motor output (US)	Low static	0.86	0.86	1.15	1.15	1.15	
		High static	1.15	2.3	2.3	2.30	2.30	
	Motor - Drive kit number	A01		A02		A03	AA01	AA01
		low 449-673 high 673-1010		low 497-673 high 745-1117		low 555-833 high 833-1250	522 - 784 rpm AA02	522 - 784 rpm AA02
		A05		A06		A07	632 - 875 rpm AA03	632 - 875 rpm AA03
		low 598-897 high 897-1346		low 714-953 high 1071-1429		low 808-1032 high 1212-1548	798 - 1105 rpm	798 - 1105 rpm
		Blower wheel nominal diameter x width - in.		(1) 10 X 10	(1) 10 X 10	(1) 10 X 10	(1) 15 X 9	(1) 15 X 9
Filters	Type of filter	disposable						
	Number and size - in.	(4) 16 X 20 X 2			(4) 20 X 20 X 2			
Electrical characteristics			208/230V, 460V, or 575V - 60 hz -3 phase					

NOTE - Net capacity includes evaporator blower motor heat deduction. Gross capacity does not include evaporator blower motor heat deduction.

^{1,2} AHRI Certified to AHRI Standard ¹ 210/240 or ² 340/360: 95°F outdoor air temperature and 80°F db/67°F wb entering evaporator air; minimum external duct static pressure.

³ Using total air volume and system static pressure requirements determine from blower performance tables rpm and motor output required. Maximum usable output of motors furnished are shown. In Canada, nominal motor output is also maximum usable motor output. If motors of comparable output are used, be sure to keep within the service factor limitations outlined on the motor nameplate.

SPECIFICATIONS - STANDARD GAS HEAT

THREE PHASE MODELS

Model No.		036 048 060	072 074	036 048 060	072 074	036 048 060	072 074	048 060	072 074	048 060	072 074
Heat Input Type		Standard (1 Stage)		Medium (1 Stage)		Medium (2 Stage)		High (1 Stage)		High (2 Stage)	
Input Btuh	1st Stage	65,000		108,000		81,000		150,000		113,000	
	2nd Stage	---		---		108,000		---		150,000	
Output Btuh	1st Stage	52,000		86,000		65,000		120,000		90,000	
	2nd Stage	---		---		86,000		---		120,000	
Temperature Rise Range - °F	1st stage	15-45	5-35	30-70	15-45	25-55	10-40	45-75	25-55	30-60	15-45
	2nd Stage	---		---		30-70	15-45	---		45-75	25-55
¹ Thermal Efficiency		80%		80%		80%		80%		80%	
Gas Supply Connections		1/2 in. NPT									
Rec. Gas Supply Pressure - Nat./ LPG		7 in.w.g. / 11 in.w.g.									

¹ Thermal Efficiency at full input.

SPECIFICATIONS - LOW NOX GAS HEAT

SINGLE AND THREE PHASE MODELS

Model No.		036 048 060	072 074	036 , 048 060, 072 074	036 048 060	072 074	036 048 060	072 074	048 060	072 074	048 060	072 074	060	
Heat Input Type		Standard (1 Stage)		³ Standard (2 Stage) Low NOx only		Medium (1 Stage)		Medium (2 Stage)		High (1 Stage)		High (2 Stage)		^{4,5} High (4 Stage) Low NOx only
Input Btuh	1st Stage	65,000		53,000		108,000		81,000		150,000		113,000		28,000
	2nd Stage	---		70,000		---		108,000		---		150,000		81,000
	3rd Stage	---		---		---		---		---		---		113,000
	4th Stage	---		---		---		---		---		---		150,000
Output Btuh	1st Stage	52,000		43,000		87,000		66,000		121,000		92,000		22,000
	2nd Stage	---		57,000		---		87,000		---		121,000		66,000
	3rd Stage	---		---		---		---		---		---		92,000
	4th Stage	---		---		---		---		---		---		121,000
Temperature Rise Range - °F	1st stage	15-45	5-35	5-35	30-70	15-45	25-55	10-40	45-75	25-55	30-60	15-45	5-35	
	2nd Stage	---		15-45	---		30-70	15-45	---		45-75	25-55	35-65	
	3rd Stage	---		---		---		---		---		35-65		
	4th Stage	---		---		---		---		---		45-75		
¹ AFUE (Single Phase)		81%		81%		81%		81%		81%		81%		81%
² Thermal Efficiency (Three Phase)		81%		81%		81%		81%		81%		81%		81%
Gas Supply Connections		1/2 in. NPT												
Rec. Gas Supply Pressure - Nat./ LPG		7 in.w.g. / 11 in.w.g.												

¹ Annual Fuel Utilization Efficiency based on U.S. DOE test procedures and FTC labeling regulations.

² Thermal Efficiency at full input.

³ Two-Stage Standard Heat is only available with Low NOx Models.

⁴ Four-Stage High Heat is only available with LGH060H4E high efficiency, direct drive, Low NOx, models only.

⁵ Stainless Steel Heat Exchanger is furnished as Standard when Four-Stage Heat is Ordered.

HIGH ALTITUDE DERATE

NOTE - Units may be installed at altitudes up to 2000 ft. above sea level without any modifications. At altitudes above 2000 ft. units must be derated to match information in the table shown. At altitudes above 4500 ft. unit must be derated 2% for each 1000 ft. above sea level.
NOTE - This is the only permissible derate for these units.

Heat Input Type	Altitude Feet	Gas Manifold Pressure in. w.g.		Input Rate (Btuh)
		Natural Gas	LPG/ Propane	
Standard (1 stage)	2001 - 4500	3.0	9.0	60,000
Standard (2 stage)	2001 - 4500	3.0/1.7	9.0/5.1	65,000 / 49,000
Medium (1 stage)	2001 - 4500	3.0	9.0	100,000
Medium (2 stage)	2001 - 4500	3.0/1.7	9.0/5.1	100,000 / 75,000
High (1 stage)	2001 - 4500	3.0	9.0	139,000
High (2 stage)	2001 - 4500	3.0/1.7	9.0/5.1	139,000 / 104,000
High (4 stage)	2001 - 4500	3.0/1.7	9.0/5.1	139,000 / 104,000 / 75,000 / 26,000

COOLING RATINGS

NOTE - For Temperatures and Capacities not shown in tables, see bulletin - Cooling Unit Rating Table Correction Factor Data in Miscellaneous Product Data section.

6 TON HIGH EFFICIENCY LGH072H4

Entering Wet Bulb Temperature	Total Air Volume	Outdoor Air Temperature Entering Outdoor Coil																			
		85°F					95°F					105°F					115°F				
		Total Cool Cap.	Comp. Motor Input	Sensible To Total Ratio (S/T)			Total Cool Cap.	Comp. Motor Input	Sensible To Total Ratio (S/T)			Total Cool Cap.	Comp. Motor Input	Sensible To Total Ratio (S/T)			Total Cool Cap.	Comp. Motor Input	Sensible To Total Ratio (S/T)		
				Dry Bulb					Dry Bulb					Dry Bulb					Dry Bulb		
cfm	kBtuh	kW	75°F	80°F	85°F	kBtuh	kW	75°F	80°F	85°F	kBtuh	kW	75°F	80°F	85°F	kBtuh	kW	75°F	80°F	85°F	
63°F	1920	72.3	4.53	0.71	0.85	0.99	69.1	5.05	0.73	0.87	1	65.7	5.63	0.74	0.9	1	61.8	6.28	0.76	0.93	1
	2400	76.2	4.55	0.76	0.93	1	72.8	5.06	0.78	0.96	1	69	5.63	0.8	0.98	1	64.9	6.28	0.82	1	1
	2880	79	4.56	0.82	1	1	75.6	5.06	0.84	1	1	72.5	5.64	0.86	1	1	68.8	6.31	0.9	1	1
67°F	1920	76.7	4.55	0.56	0.68	0.81	73.3	5.05	0.57	0.69	0.83	69.9	5.64	0.58	0.72	0.86	66	6.29	0.59	0.73	0.89
	2400	80.8	4.56	0.59	0.74	0.89	77.2	5.07	0.6	0.75	0.92	73.2	5.65	0.62	0.77	0.95	68.9	6.3	0.63	0.8	0.98
	2880	83.6	4.57	0.63	0.79	0.97	79.7	5.07	0.63	0.81	0.99	75.8	5.65	0.65	0.84	1	71	6.3	0.66	0.87	1
71°F	1920	81.6	4.56	0.43	0.55	0.66	78.1	5.07	0.43	0.55	0.67	74.4	5.65	0.43	0.56	0.69	70.1	6.3	0.44	0.58	0.71
	2400	85.7	4.58	0.44	0.58	0.71	81.8	5.08	0.45	0.59	0.73	77.7	5.66	0.45	0.6	0.75	73.1	6.31	0.46	0.62	0.77
	2880	88.4	4.59	0.46	0.61	0.77	84.4	5.09	0.46	0.62	0.79	80	5.67	0.46	0.63	0.8	75.5	6.32	0.47	0.65	0.84

6 TON HIGH EFFICIENCY LGH074H4 (1ST STAGE)

Entering Wet Bulb Temperature	Total Air Volume	Outdoor Air Temperature Entering Outdoor Coil																			
		65°F					75°F					85°F					95°F				
		Total Cool Cap.	Comp. Motor Input	Sensible To Total Ratio (S/T)			Total Cool Cap.	Comp. Motor Input	Sensible To Total Ratio (S/T)			Total Cool Cap.	Comp. Motor Input	Sensible To Total Ratio (S/T)			Total Cool Cap.	Comp. Motor Input	Sensible To Total Ratio (S/T)		
				Dry Bulb					Dry Bulb					Dry Bulb					Dry Bulb		
cfm	kBtuh	kW	75°F	80°F	85°F	kBtuh	kW	75°F	80°F	85°F	kBtuh	kW	75°F	80°F	85°F	kBtuh	kW	75°F	80°F	85°F	
63°F	1200	53.3	2.27	0.68	0.81	0.92	51	2.59	0.69	0.82	0.94	48.3	2.95	0.7	0.83	0.96	45.6	3.36	0.71	0.85	0.98
	1600	57.8	2.26	0.74	0.88	1	55.2	2.58	0.75	0.9	1	52.5	2.94	0.77	0.92	1	49.3	3.36	0.78	0.95	1
	2000	61.2	2.25	0.8	0.96	1	58.2	2.57	0.81	0.98	1	55.3	2.94	0.83	1	1	52.5	3.35	0.84	1	1
67°F	1200	57.2	2.26	0.55	0.66	0.77	54.7	2.58	0.55	0.67	0.78	51.9	2.94	0.55	0.67	0.79	48.9	3.36	0.55	0.68	0.81
	1600	61.9	2.25	0.58	0.72	0.85	59.2	2.57	0.59	0.73	0.86	56.3	2.93	0.59	0.74	0.88	53	3.35	0.6	0.76	0.91
	2000	65.4	2.24	0.62	0.78	0.93	62.3	2.56	0.62	0.78	0.94	59.2	2.93	0.63	0.8	0.97	55.6	3.34	0.64	0.82	0.99
71°F	1200	61.2	2.25	0.43	0.53	0.63	58.6	2.57	0.42	0.53	0.64	55.8	2.93	0.42	0.53	0.64	52.6	3.35	0.41	0.53	0.65
	1600	66.3	2.23	0.44	0.57	0.69	63.3	2.56	0.44	0.57	0.7	60.2	2.92	0.44	0.58	0.71	56.7	3.34	0.44	0.59	0.73
	2000	69.6	2.22	0.45	0.61	0.75	66.5	2.54	0.46	0.61	0.76	63.1	2.91	0.45	0.62	0.77	59.6	3.33	0.46	0.63	0.8

6 TON HIGH EFFICIENCY LGH074H4 (2ND STAGE)

Entering Wet Bulb Temperature	Total Air Volume	Outdoor Air Temperature Entering Outdoor Coil																			
		85°F					95°F					105°F					115°F				
		Total Cool Cap.	Comp. Motor Input	Sensible To Total Ratio (S/T)			Total Cool Cap.	Comp. Motor Input	Sensible To Total Ratio (S/T)			Total Cool Cap.	Comp. Motor Input	Sensible To Total Ratio (S/T)			Total Cool Cap.	Comp. Motor Input	Sensible To Total Ratio (S/T)		
				Dry Bulb					Dry Bulb					Dry Bulb					Dry Bulb		
cfm	kBtuh	kW	75°F	80°F	85°F	kBtuh	kW	75°F	80°F	85°F	kBtuh	kW	75°F	80°F	85°F	kBtuh	kW	75°F	80°F	85°F	
63°F	1920	68.6	4.12	0.73	0.88	1	64.9	4.65	0.75	0.9	1	60.9	5.25	0.77	0.93	1	56.6	5.94	0.79	0.96	1
	2400	72.2	4.16	0.79	0.96	1	68.1	4.68	0.81	0.99	1	63.9	5.28	0.83	1	1	60	5.97	0.86	1	1
	2880	75.2	4.18	0.85	1	1	71.6	4.72	0.87	1	1	67.6	5.32	0.9	1	1	63.4	6.01	0.94	1	1
67°F	1920	73	4.16	0.57	0.71	0.85	69	4.69	0.59	0.73	0.87	64.8	5.29	0.59	0.74	0.89	60.4	5.97	0.6	0.77	0.93
	2400	76.7	4.2	0.62	0.77	0.93	72.4	4.73	0.62	0.79	0.95	67.9	5.32	0.63	0.81	0.98	63	6	0.64	0.84	1
	2880	79.1	4.22	0.64	0.83	0.99	74.8	4.75	0.66	0.85	1	69.9	5.34	0.67	0.88	1	65	6.02	0.69	0.91	1
71°F	1920	77.6	4.21	0.44	0.56	0.69	73.5	4.74	0.43	0.57	0.7	69.1	5.34	0.43	0.58	0.72	64.2	6.02	0.43	0.59	0.74
	2400	81.1	4.24	0.45	0.6	0.75	76.8	4.77	0.45	0.61	0.77	72	5.37	0.45	0.62	0.79	67.1	6.05	0.44	0.64	0.81
	2880	83.7	4.27	0.47	0.64	0.8	79.3	4.8	0.46	0.65	0.83	74.2	5.4	0.48	0.66	0.85	69.2	6.07	0.48	0.68	0.89

HUMIDITROL® DEHUMIDIFICATION SYSTEM RATINGS

6 TON HIGH EFFICIENCY LGH074H4 WITH HUMIDITROL® OPERATING

Entering Wet Bulb Temperature	Total Air Volume	Outdoor Air Temperature Entering Outdoor Coil																			
		65°F					75°F					85°F					95°F				
		Total Cool Cap.	Comp. Motor Input	Sensible To Total Ratio (S/T) Dry Bulb			Total Cool Cap.	Comp. Motor Input	Sensible To Total Ratio (S/T) Dry Bulb			Total Cool Cap.	Comp. Motor Input	Sensible To Total Ratio (S/T) Dry Bulb			Total Cool Cap.	Comp. Motor Input	Sensible To Total Ratio (S/T) Dry Bulb		
				75°F	80°F	85°F			75°F	80°F	85°F			75°F	80°F	85°F			75°F	80°F	85°F
cfm	kBtuh	kW				kBtuh	kW				kBtuh	kW				kBtuh	kW				
63°F	1200	38.4	3.17	0.44	0.59	0.74	31.8	3.50	0.35	0.53	0.71	24.9	3.89	0.21	0.45	0.68	18.0	4.36	-0.04	0.29	0.61
	1600	41.9	3.22	0.49	0.68	0.86	34.4	3.54	0.42	0.63	0.86	26.4	3.91	0.28	0.58	0.86	18.4	4.36	0.03	0.45	0.86
	2000	44.1	3.26	0.55	0.77	0.97	35.5	3.56	0.49	0.76	1.00	28.1	3.94	0.35	0.64	1.00	18.1	4.36	0.10	0.64	1.00
67°F	1200	44.0	3.23	0.30	0.43	0.57	37.3	3.56	0.20	0.36	0.52	30.4	3.96	0.06	0.25	0.45	23.0	4.43	-0.18	0.09	0.33
	1600	47.7	3.29	0.33	0.49	0.65	39.8	3.61	0.23	0.43	0.61	32.0	3.99	0.08	0.32	0.56	23.8	4.44	-0.18	0.15	0.47
	2000	50.3	3.34	0.36	0.55	0.73	41.8	3.64	0.26	0.49	0.70	32.9	4.01	0.07	0.39	0.67	23.9	4.44	-0.18	0.23	0.62
71°F	1200	49.6	3.30	0.19	0.31	0.43	42.8	3.63	0.10	0.23	0.37	35.6	4.04	-0.05	0.12	0.28	28.4	4.51	-0.27	-0.06	0.15
	1600	53.7	3.37	0.19	0.34	0.48	45.9	3.69	0.09	0.26	0.43	37.8	4.07	-0.06	0.15	0.35	29.5	4.53	-0.31	-0.04	0.22
	2000	56.6	3.41	0.20	0.37	0.54	47.7	3.72	0.09	0.30	0.49	38.9	4.10	-0.08	0.17	0.42	29.6	4.53	-0.36	-0.02	0.30

BLOWER DATA

DIRECT DRIVE | 3 TON

BLOWER TABLE INCLUDES RESISTANCE FOR BASE UNIT ONLY WITH DRY INDOOR COIL AND AIR FILTERS IN PLACE.

FOR ALL UNITS ADD:

1 - Any factory installed options air resistance (heat section, economizer, etc.).

2 - Any field installed accessories air resistance (duct resistance, diffuser, etc.).

See page 42 for wet coil and options/accessory air resistance data.

DOWNFLOW

External Static Press. in. w.g.	Percentage of Total Motor Torque																										
	20%			30%			40%			50%			60%			70%			80%			90%			100%		
	Cfm	RPM	Watts	Cfm	RPM	Watts	Cfm	RPM	Watts	Cfm	RPM	Watts	Cfm	RPM	Watts	Cfm	RPM	Watts	Cfm	RPM	Watts	Cfm	RPM	Watts	Cfm	RPM	Watts
0	796	39	407	975	69	451	1154	98	494	1298	140	567	1570	692	744	1697	292	744	1807	357	785	1917	422	825			
0.1	719	44	482	915	76	523	1110	108	564	1257	151	626	1537	733	779	1670	304	779	1784	369	815	1898	433	850			
0.2	663	49	538	864	83	585	1064	117	633	1220	160	679	1508	770	815	1641	316	815	1754	384	853	1866	452	891			
0.3	593	55	607	806	91	651	1018	126	695	1174	171	737	1330	815	850	1612	328	850	1724	398	890	1835	469	930			
0.4	527	60	665	749	97	708	971	135	751	1136	180	783	1300	885	900	1569	344	900	1689	413	930	1809	481	959			
0.5	460	65	722	692	104	761	924	143	801	1090	190	833	1256	966	932	1540	355	932	1662	424	960	1784	493	988			
0.6	---	---	---	---	---	---	855	154	864	1033	202	889	1211	966	963	1511	365	963	1629	437	995	1746	508	1028			
0.7	---	---	---	---	---	---	808	161	898	995	209	922	1181	966	963	1468	379	1007	1588	450	1036	1708	522	1065			
0.8	---	---	---	---	---	---	743	170	942	940	220	966	1137	991	1020	1425	392	1049	1548	463	1074	1670	533	1100			
0.9	---	---	---	---	---	---	676	178	979	884	229	1006	1092	1033	1061	1381	404	1088	1513	472	1105	1645	539	1121			
1.0	---	---	---	---	---	---	605	187	1011	819	240	1049	1032	1087	1112	1352	411	1112	1474	480	1137	1595	549	1161			
1.1	---	---	---	---	---	---	---	---	---	---	---	---	988	1124	1142	1295	424	1158	1420	490	1177	1544	555	1195			
1.2	---	---	---	---	---	---	---	---	---	---	---	---	---	---	1251	433	1189	1373	495	1207	1494	558	1225				

HORIZONTAL

External Static Press. in. w.g.	Percentage of Total Motor Torque																										
	20%			30%			40%			50%			60%			70%			80%			90%			100%		
	Cfm	RPM	Watts	Cfm	RPM	Watts	Cfm	RPM	Watts	Cfm	RPM	Watts	Cfm	RPM	Watts	Cfm	RPM	Watts	Cfm	RPM	Watts	Cfm	RPM	Watts	Cfm	RPM	Watts
0	807	44	372	982	65	431	1157	86	490	1299	126	546	1565	214	647	1688	262	692	1795	328	734	1901	393	776			
0.1	708	50	468	906	77	513	1103	104	559	1247	143	612	1391	231	704	1652	280	742	1766	346	779	1879	413	815			
0.2	634	56	541	841	88	583	1048	120	625	1206	156	663	1363	243	742	1619	294	783	1731	361	820	1843	429	857			
0.3	523	63	648	759	98	669	994	134	690	1150	171	729	1446	258	796	1585	307	823	1696	376	860	1807	444	896			
0.4	437	69	732	688	107	742	939	146	752	1101	183	785	1399	273	849	1535	326	881	1653	392	908	1771	458	935			
0.5	344	75	823	615	116	817	885	156	812	1053	194	838	1220	285	892	1502	339	918	1614	406	949	1725	473	980			
0.6	---	---	---	---	---	---	817	167	883	990	207	905	1162	927	918	1451	356	971	1570	420	993	1689	484	1014			
0.7	---	---	---	---	---	---	762	174	938	941	215	954	1119	971	988	1418	367	1005	1536	430	1026	1653	494	1047			
0.8	---	---	---	---	---	---	708	178	991	892	222	1002	1076	1013	1034	1368	383	1054	1484	444	1073	1599	506	1092			
0.9	---	---	---	---	---	---	645	182	1050	832	230	1059	1168	1068	1084	1317	397	1100	1431	456	1117	1545	516	1134			
1.0	---	---	---	---	---	---	584	184	1105	780	235	1106	1122	1107	1125	1267	411	1144	1379	467	1158	1491	522	1172			
1.1	---	---	---	---	---	---	---	---	---	---	---	---	923	1155	1169	1217	423	1184	1327	475	1195	1436	526	1207			
1.2	---	---	---	---	---	---	---	---	---	---	---	---	---	---	1166	434	1222	1265	481	1234	1364	527	1246				

BLOWER DATA
BLOWER TABLE INCLUDES RESISTANCE FOR BASE UNIT ONLY WITH DRY INDOOR COIL AND AIR FILTERS IN PLACE.
 FOR ALL UNITS ADD:

- 1 - Any factory installed options air resistance (heat section, economizer, etc.).
 - 2 - Any field installed accessories air resistance (duct resistance, diffuser, etc.).
- See page 42 for wet coil and options/accessory air resistance data.

DOWNFLOW

External Static Press. in. w.g.	Percentage of Total Motor Torque																										
	20%			30%			40%			50%			60%			70%			80%			90%			100%		
	Cfm	RPM	Watts	Cfm	RPM	Watts	Cfm	RPM	Watts	Cfm	RPM	Watts	Cfm	RPM	Watts	Cfm	RPM	Watts	Cfm	RPM	Watts	Cfm	RPM	Watts	Cfm	RPM	Watts
0	1048	80	507	1261	135	582	1473	190	657	1655	274	729	1836	359	801	1987	461	863	2137	563	924	2291	698	975	2445	832	1025
0.1	1000	88	560	1218	146	633	1436	204	706	1624	289	771	1812	374	836	1965	479	896	2118	583	956	2261	716	1004	2403	849	1052
0.2	944	97	624	1177	156	683	1409	214	743	1595	304	812	1781	393	881	1940	497	934	2098	602	986	2235	729	1032	2372	856	1077
0.3	906	104	666	1139	166	728	1372	228	790	1561	320	858	1750	412	925	1915	515	970	2079	619	1015	2210	741	1058	2341	863	1100
0.4	849	113	728	1093	177	783	1336	241	837	1531	333	897	1726	425	957	1889	532	1004	2052	639	1051	2177	754	1090	2302	869	1129
0.5	793	121	790	1047	188	837	1300	254	883	1501	346	935	1702	438	987	1864	548	1036	2026	657	1085	2145	766	1120	2263	874	1155
0.6	---	---	---	---	---	---	1263	267	929	1467	361	978	1671	454	1027	1836	564	1071	2000	673	1116	2116	775	1145	2232	876	1175
0.7	---	---	---	---	---	---	1226	280	974	1433	375	1019	1639	470	1065	1807	578	1104	1974	686	1144	2080	782	1173	2186	878	1203
0.8	---	---	---	---	---	---	1195	291	1012	1402	388	1057	1608	485	1101	1778	591	1135	1948	697	1169	2052	787	1195	2155	878	1220
0.9	---	---	---	---	---	---	1162	304	1060	1367	401	1097	1572	498	1134	1741	603	1168	1909	708	1202	2009	792	1223	2109	875	1244
1.0	---	---	---	---	---	---	1133	316	1104	1333	414	1136	1533	511	1167	1702	612	1198	1870	714	1229	1959	791	1251	2047	868	1272
1.1	---	---	---	---	---	---	---	---	---	---	---	---	1490	524	1200	1654	618	1228	1817	713	1256	1909	786	1273	2000	859	1289
1.2	---	---	---	---	---	---	---	---	---	---	---	---	---	---	---	1765	701	1272	1844	771	1293	1923	840	1314	1923	840	1314

HORIZONTAL

External Static Press. in. w.g.	Percentage of Total Motor Torque																										
	20%			30%			40%			50%			60%			70%			80%			90%			100%		
	Cfm	RPM	Watts	Cfm	RPM	Watts	Cfm	RPM	Watts	Cfm	RPM	Watts	Cfm	RPM	Watts	Cfm	RPM	Watts	Cfm	RPM	Watts	Cfm	RPM	Watts	Cfm	RPM	Watts
0	1025	80	472	1238	131	552	1450	182	632	1626	254	702	1802	326	771	1936	414	824	2071	502	878	2231	634	931	2391	767	983
0.1	978	85	546	1199	138	610	1420	191	675	1601	265	738	1781	339	801	1930	441	862	2079	544	923	2222	663	968	2365	783	1013
0.2	927	89	602	1157	145	661	1387	201	720	1568	279	783	1749	357	845	1906	458	897	2062	559	949	2205	679	993	2348	798	1038
0.3	851	98	684	1098	156	731	1344	214	777	1531	295	833	1717	375	888	1876	478	938	2035	581	988	2166	694	1030	2297	807	1072
0.4	801	105	738	1051	166	785	1300	227	832	1493	309	881	1685	392	930	1847	496	977	2009	600	1023	2128	707	1064	2247	813	1105
0.5	725	118	817	991	179	850	1256	239	883	1455	324	926	1653	408	970	1814	516	1019	1974	623	1068	2091	720	1099	2207	817	1130
0.6	---	---	---	---	---	---	1212	251	931	1417	337	969	1621	423	1008	1784	531	1053	1947	638	1098	2057	729	1126	2166	820	1154
0.7	---	---	---	---	---	---	1169	263	975	1380	350	1010	1590	437	1045	1756	544	1086	1921	651	1127	2014	736	1157	2106	821	1187
0.8	---	---	---	---	---	---	1114	277	1027	1331	366	1059	1547	454	1091	1717	560	1126	1886	666	1161	1976	743	1184	2066	821	1207
0.9	---	---	---	---	---	---	1062	290	1077	1283	380	1106	1504	470	1135	1669	575	1170	1833	680	1204	1919	749	1220	2005	817	1236
1.0	---	---	---	---	---	---	1007	304	1127	1240	392	1147	1473	481	1166	1627	584	1202	1780	687	1238	1853	748	1253	1925	809	1269
1.1	---	---	---	---	---	---	---	---	---	---	---	---	1429	497	1211	1569	590	1240	1709	683	1269	1787	741	1280	1864	799	1291
1.2	---	---	---	---	---	---	---	---	---	---	---	---	---	---	---	1604	651	1284	1684	714	1303	1763	777	1321	1763	777	1321

BLOWER DATA

BELT DRIVE | 3 TON | DOWNFLOW

BLOWER TABLE INCLUDES RESISTANCE FOR BASE UNIT ONLY WITH DRY INDOOR COIL AND AIR FILTERS IN PLACE.

FOR ALL UNITS ADD:

1 - Any factory installed options air resistance (heat section, economizer, etc.).

2 - Any field installed accessories air resistance (duct resistance, diffuser, etc.).

See page 42 for wet coil and options/accessory air resistance data.

Air Volume (cfm)	External Static (in.w.g.)																			
	0.10		0.20		0.30		0.40		0.50		0.60		0.70		0.80		0.9		1.0	
	RPM	BHP	RPM	BHP	RPM	BHP	RPM	BHP	RPM	BHP	RPM	BHP	RPM	BHP	RPM	BHP	RPM	BHP	RPM	BHP
700	453	0.07	523	0.11	596	0.14	679	0.17	762	0.18	828	0.21	878	0.24	927	0.26	979	0.29	1029	0.31
800	471	0.09	542	0.13	614	0.16	696	0.19	777	0.21	841	0.23	889	0.26	938	0.29	990	0.31	1042	0.34
900	493	0.11	563	0.15	634	0.19	715	0.21	793	0.23	854	0.26	902	0.29	950	0.32	1002	0.34	1054	0.36
1000	517	0.14	587	0.18	657	0.21	736	0.24	811	0.26	869	0.29	916	0.32	964	0.35	1015	0.37	1067	0.4
1100	544	0.17	613	0.21	683	0.24	759	0.27	831	0.3	886	0.32	931	0.36	978	0.38	1028	0.41	1078	0.43
1200	574	0.2	643	0.24	711	0.27	784	0.3	852	0.33	904	0.36	947	0.39	993	0.42	1042	0.45	1091	0.47
1300	608	0.24	676	0.28	743	0.31	812	0.34	875	0.37	923	0.4	964	0.44	1010	0.46	1057	0.49	1104	0.51
1400	645	0.28	711	0.31	776	0.35	842	0.38	898	0.41	942	0.44	983	0.48	1028	0.51	1074	0.53	1120	0.56

Air Volume (cfm)	External Static (in.w.g.)																			
	1.1		1.2		1.3		1.4		1.5		1.6		1.7		1.8		1.9		2.0	
	RPM	BHP	RPM	BHP	RPM	BHP	RPM	BHP	RPM	BHP	RPM	BHP	RPM	BHP	RPM	BHP	RPM	BHP	RPM	BHP
700	1078	0.33	1124	0.36	---	---	---	---	---	---	---	---	---	---	---	---	---	---	---	---
800	1091	0.36	1137	0.39	1180	0.41	1221	0.44	1260	0.47	---	---	---	---	---	---	---	---	---	---
900	1105	0.39	1150	0.42	1192	0.45	1232	0.47	1270	0.5	1307	0.53	1345	0.56	1382	0.59	1420	0.62	---	---
1000	1117	0.42	1162	0.45	1203	0.48	1242	0.51	1279	0.54	1316	0.57	1353	0.6	1390	0.63	1427	0.66	1465	0.7
1100	1126	0.46	1171	0.49	1212	0.52	1251	0.56	1288	0.59	1325	0.62	1361	0.65	1397	0.68	1433	0.71	1470	0.75
1200	1137	0.5	1180	0.54	1222	0.57	1260	0.6	1298	0.64	1334	0.67	1369	0.7	1404	0.73	1440	0.77	1477	0.8
1300	1149	0.55	1191	0.58	1232	0.62	1270	0.65	1307	0.69	1343	0.72	1378	0.76	1413	0.79	1449	0.82	1486	0.86
1400	1163	0.6	1204	0.63	1243	0.67	1281	0.71	1317	0.74	1353	0.78	1388	0.82	1423	0.85	1459	0.89	1496	0.92

BLOWER DATA

BELT DRIVE | 3 TON | HORIZONTAL

BLOWER TABLE INCLUDES RESISTANCE FOR BASE UNIT ONLY WITH DRY INDOOR COIL AND AIR FILTERS IN PLACE.

FOR ALL UNITS ADD:

- 1 - Any factory installed options air resistance (heat section, economizer, etc.).
- 2 - Any field installed accessories air resistance (duct resistance, diffuser, etc.).

See page 42 for blower motors and drives and wet coil and options/accessory air resistance data.

Air Volume (cfm)	External Static (in.w.g.)																			
	0.10		0.20		0.30		0.40		0.50		0.60		0.70		0.80		0.9		1.0	
	RPM	BHP	RPM	BHP	RPM	BHP	RPM	BHP	RPM	BHP	RPM	BHP	RPM	BHP	RPM	BHP	RPM	BHP	RPM	BHP
700	440	0.07	510	0.1	585	0.12	657	0.14	726	0.17	793	0.2	856	0.23	915	0.25	967	0.28	1016	0.31
800	456	0.08	526	0.11	600	0.14	672	0.16	739	0.19	804	0.22	866	0.25	923	0.28	975	0.31	1025	0.34
900	474	0.1	544	0.13	617	0.16	688	0.18	754	0.21	818	0.24	877	0.27	932	0.3	984	0.33	1034	0.36
1000	495	0.12	565	0.15	637	0.18	707	0.21	771	0.23	832	0.27	889	0.3	943	0.33	993	0.36	1043	0.39
1100	518	0.14	588	0.18	659	0.21	727	0.23	789	0.26	848	0.3	903	0.33	954	0.37	1003	0.4	1052	0.43
1200	544	0.17	613	0.21	682	0.24	748	0.27	809	0.29	866	0.33	918	0.37	967	0.4	1014	0.43	1062	0.46
1300	572	0.21	640	0.24	707	0.27	771	0.3	830	0.33	884	0.37	934	0.41	981	0.44	1027	0.47	1073	0.5
1400	602	0.24	669	0.28	733	0.31	795	0.34	851	0.37	903	0.41	950	0.45	995	0.49	1040	0.52	1086	0.55

Air Volume (cfm)	External Static (in.w.g.)																			
	1.1		1.2		1.3		1.4		1.5		1.6		1.7		1.8		1.9		2.0	
	RPM	BHP	RPM	BHP	RPM	BHP	RPM	BHP	RPM	BHP	RPM	BHP	RPM	BHP	RPM	BHP	RPM	BHP	RPM	BHP
700	1065	0.33	---	---	---	---	---	---	---	---	---	---	---	---	---	---	---	---	---	---
800	1075	0.36	1122	0.39	1164	0.42	1203	0.45	1241	0.47	---	---	---	---	---	---	---	---	---	---
900	1086	0.39	1133	0.42	1174	0.45	1213	0.48	1250	0.51	1286	0.54	1322	0.57	1357	0.6	1392	0.64	---	---
1000	1094	0.43	1142	0.46	1183	0.49	1222	0.52	1259	0.55	1295	0.58	1330	0.62	1365	0.65	1400	0.68	1435	0.71
1100	1102	0.46	1148	0.49	1191	0.53	1230	0.56	1267	0.6	1303	0.63	1338	0.66	1373	0.69	1408	0.73	1444	0.76
1200	1110	0.5	1156	0.53	1198	0.57	1238	0.61	1275	0.64	1311	0.68	1346	0.71	1381	0.74	1416	0.78	1452	0.81
1300	1120	0.54	1164	0.58	1207	0.62	1246	0.65	1283	0.69	1319	0.73	1354	0.76	1389	0.79	1424	0.83	1460	0.86
1400	1131	0.59	1175	0.63	1216	0.67	1255	0.7	1292	0.74	1327	0.78	1362	0.81	1397	0.84	1432	0.88	1468	0.91

BLOWER DATA

BELT DRIVE | 4 TON | DOWNFLOW

BLOWER TABLE INCLUDES RESISTANCE FOR BASE UNIT ONLY WITH DRY INDOOR COIL AND AIR FILTERS IN PLACE.

FOR ALL UNITS ADD:

1 - Any factory installed options air resistance (heat section, economizer, etc.).

2 - Any field installed accessories air resistance (duct resistance, diffuser, etc.).

See page 42 for blower motors and drives and wet coil and options/accessory air resistance data.

Air Volume (cfm)	External Static (in.w.g.)																			
	0.10		0.20		0.30		0.40		0.50		0.60		0.70		0.80		0.9		1.0	
	RPM	BHP	RPM	BHP	RPM	BHP	RPM	BHP	RPM	BHP	RPM	BHP	RPM	BHP	RPM	BHP	RPM	BHP	RPM	BHP
900	502	0.12	573	0.15	644	0.19	725	0.22	802	0.24	861	0.26	908	0.29	957	0.32	1009	0.34	1061	0.37
1000	528	0.14	598	0.18	668	0.22	747	0.24	821	0.27	877	0.3	923	0.33	971	0.35	1022	0.38	1074	0.4
1100	557	0.17	626	0.21	695	0.25	772	0.28	841	0.3	894	0.33	939	0.36	986	0.39	1037	0.41	1087	0.44
1200	589	0.21	657	0.25	725	0.28	798	0.31	864	0.33	913	0.37	956	0.4	1003	0.43	1052	0.45	1100	0.48
1300	625	0.25	692	0.28	759	0.32	827	0.34	887	0.37	933	0.41	975	0.44	1021	0.47	1068	0.49	1115	0.52
1400	665	0.29	730	0.32	794	0.35	857	0.38	911	0.42	953	0.45	995	0.49	1040	0.52	1086	0.54	1131	0.57
1500	706	0.33	768	0.36	829	0.39	886	0.43	934	0.46	974	0.5	1015	0.54	1060	0.56	1105	0.59	1149	0.62
1600	746	0.37	805	0.4	862	0.44	914	0.48	957	0.52	996	0.55	1037	0.59	1081	0.62	1126	0.64	1167	0.68
1700	784	0.42	840	0.45	893	0.49	940	0.53	980	0.57	1019	0.61	1060	0.64	1104	0.67	1147	0.7	1187	0.74
1800	821	0.47	874	0.51	923	0.55	967	0.59	1006	0.63	1044	0.67	1085	0.7	1128	0.73	1170	0.77	1208	0.82
1900	857	0.53	906	0.57	952	0.62	994	0.66	1032	0.7	1071	0.73	1112	0.76	1154	0.8	1194	0.85	1230	0.9

Air Volume (cfm)	External Static (in.w.g.)																			
	1.1		1.2		1.3		1.4		1.5		1.6		1.7		1.8		1.9		2.0	
	RPM	BHP	RPM	BHP	RPM	BHP	RPM	BHP	RPM	BHP	RPM	BHP	RPM	BHP	RPM	BHP	RPM	BHP	RPM	BHP
900	1111	0.39	1156	0.42	1197	0.45	1236	0.48	1275	0.51	1312	0.54	1349	0.56	1387	0.59	1424	0.62	---	---
1000	1124	0.43	1168	0.46	1209	0.49	1247	0.52	1285	0.55	1322	0.58	1358	0.61	1395	0.64	1432	0.67	1470	0.7
1100	1134	0.47	1178	0.5	1219	0.53	1258	0.56	1295	0.6	1331	0.63	1367	0.66	1403	0.69	1439	0.72	1477	0.75
1200	1146	0.51	1189	0.54	1230	0.58	1268	0.61	1305	0.65	1341	0.68	1376	0.71	1411	0.74	1447	0.77	1485	0.81
1300	1159	0.55	1201	0.59	1241	0.63	1279	0.66	1315	0.7	1351	0.73	1386	0.77	1421	0.8	1457	0.83	1495	0.87
1400	1173	0.61	1214	0.64	1253	0.68	1290	0.72	1327	0.75	1362	0.79	1397	0.82	1432	0.86	1468	0.89	1506	0.93
1500	1189	0.66	1228	0.7	1266	0.74	1303	0.78	1339	0.81	1374	0.85	1409	0.89	1445	0.92	1481	0.96	1519	1
1600	1206	0.72	1244	0.76	1281	0.8	1317	0.84	1353	0.88	1388	0.92	1423	0.96	1459	1	1496	1.04	1535	1.08
1700	1224	0.79	1261	0.83	1298	0.87	1334	0.91	1369	0.95	1404	0.99	1440	1.03	1476	1.07	1513	1.12	1552	1.16
1800	1244	0.86	1280	0.91	1316	0.95	1352	0.99	1387	1.03	1422	1.07	1457	1.11	1494	1.16	1532	1.2	1570	1.24
1900	1265	0.95	1301	1	1336	1.04	1371	1.08	1406	1.12	1441	1.16	1477	1.2	1515	1.24	1553	1.29	1592	1.33

BLOWER DATA

BELT DRIVE | 4 TON | HORIZONTAL

BLOWER TABLE INCLUDES RESISTANCE FOR BASE UNIT ONLY WITH DRY INDOOR COIL AND AIR FILTERS IN PLACE.

FOR ALL UNITS ADD:

1 - Any factory installed options air resistance (heat section, economizer, etc.).

2 - Any field installed accessories air resistance (duct resistance, diffuser, etc.).

See page 42 for blower motors and drives and wet coil and options/accessory air resistance data.

Air Volume (cfm)	External Static (in.w.g.)																			
	0.10		0.20		0.30		0.40		0.50		0.60		0.70		0.80		0.9		1.0	
	RPM	BHP	RPM	BHP	RPM	BHP	RPM	BHP	RPM	BHP	RPM	BHP	RPM	BHP	RPM	BHP	RPM	BHP	RPM	BHP
900	483	0.1	554	0.13	627	0.16	699	0.19	765	0.22	826	0.24	882	0.27	935	0.3	986	0.33	1039	0.36
1000	505	0.12	576	0.16	648	0.19	719	0.21	784	0.24	842	0.27	896	0.3	947	0.33	998	0.37	1050	0.4
1100	530	0.15	601	0.18	671	0.21	741	0.24	804	0.27	860	0.3	912	0.34	961	0.37	1010	0.4	1060	0.43
1200	558	0.18	627	0.22	696	0.25	764	0.28	824	0.3	878	0.34	928	0.37	975	0.41	1023	0.44	1072	0.47
1300	588	0.22	656	0.25	723	0.28	788	0.31	846	0.34	897	0.38	945	0.42	990	0.45	1037	0.48	1084	0.51
1400	621	0.25	687	0.29	752	0.32	814	0.35	868	0.38	916	0.42	962	0.46	1006	0.5	1052	0.53	1098	0.56
1500	655	0.29	719	0.33	781	0.36	839	0.39	890	0.43	936	0.47	979	0.51	1023	0.55	1068	0.58	1113	0.61
1600	690	0.33	751	0.37	810	0.4	865	0.44	912	0.48	955	0.52	997	0.56	1041	0.6	1086	0.63	1129	0.66
1700	725	0.38	784	0.41	839	0.45	891	0.49	935	0.53	975	0.58	1017	0.62	1060	0.65	1104	0.68	1147	0.72
1800	761	0.42	816	0.46	868	0.5	916	0.55	957	0.59	997	0.64	1038	0.68	1081	0.71	1124	0.74	1165	0.79
1900	795	0.48	848	0.52	897	0.56	942	0.61	981	0.66	1020	0.7	1060	0.74	1103	0.77	1145	0.81	1183	0.85

Air Volume (cfm)	External Static (in.w.g.)																			
	1.1		1.2		1.3		1.4		1.5		1.6		1.7		1.8		1.9		2.0	
	RPM	BHP	RPM	BHP	RPM	BHP	RPM	BHP	RPM	BHP	RPM	BHP	RPM	BHP	RPM	BHP	RPM	BHP	RPM	BHP
900	1091	0.4	1138	0.43	1180	0.46	1220	0.49	1257	0.53	1293	0.56	1329	0.59	1364	0.62	1400	0.65	1435	0.69
1000	1101	0.43	1149	0.46	1190	0.5	1229	0.53	1266	0.57	1302	0.6	1338	0.63	1373	0.66	1408	0.7	1444	0.73
1100	1110	0.46	1156	0.5	1199	0.54	1238	0.57	1275	0.61	1311	0.64	1346	0.67	1381	0.71	1416	0.74	1452	0.78
1200	1119	0.5	1165	0.54	1207	0.58	1247	0.62	1284	0.65	1319	0.69	1355	0.72	1389	0.75	1425	0.79	1460	0.82
1300	1130	0.55	1175	0.59	1216	0.63	1255	0.66	1292	0.7	1328	0.74	1363	0.77	1398	0.8	1433	0.84	1469	0.87
1400	1143	0.6	1186	0.63	1226	0.67	1265	0.71	1302	0.75	1337	0.79	1372	0.82	1406	0.85	1441	0.89	1477	0.93
1500	1156	0.65	1198	0.69	1237	0.73	1275	0.77	1311	0.8	1346	0.84	1381	0.88	1415	0.91	1450	0.95	1486	0.98
1600	1171	0.7	1211	0.74	1249	0.78	1286	0.82	1321	0.86	1356	0.9	1390	0.93	1425	0.97	1460	1.01	1496	1.05
1700	1186	0.76	1225	0.8	1262	0.84	1298	0.88	1333	0.92	1367	0.96	1401	1	1436	1.03	1471	1.07	1507	1.12
1800	1202	0.83	1240	0.87	1276	0.91	1311	0.95	1345	0.99	1380	1.03	1413	1.07	1448	1.11	1483	1.15	1520	1.19
1900	1220	0.9	1256	0.94	1291	0.99	1326	1.03	1360	1.07	1393	1.1	1427	1.14	1462	1.18	1497	1.22	1534	1.27

BLOWER DATA

BELT DRIVE | 5 TON | DOWNFLOW

BLOWER TABLE INCLUDES RESISTANCE FOR BASE UNIT ONLY WITH DRY INDOOR COIL AND AIR FILTERS IN PLACE.

FOR ALL UNITS ADD:

- 1 - Any factory installed options air resistance (heat section, economizer, etc.).
- 2 - Any field installed accessories air resistance (duct resistance, diffuser, etc.).

See page 42 for blower motors and drives and wet coil and options/accessory air resistance data.

Air Volume (cfm)	External Static (in.w.g.)																			
	0.10		0.20		0.30		0.40		0.50		0.60		0.70		0.80		0.9		1.0	
	RPM	BHP	RPM	BHP	RPM	BHP	RPM	BHP	RPM	BHP	RPM	BHP	RPM	BHP	RPM	BHP	RPM	BHP	RPM	BHP
1100	529	0.17	591	0.21	653	0.24	724	0.26	810	0.26	886	0.26	942	0.28	982	0.32	1022	0.36	1064	0.40
1200	553	0.20	615	0.24	677	0.27	747	0.30	829	0.30	902	0.30	955	0.33	994	0.36	1034	0.40	1075	0.44
1300	579	0.23	640	0.27	701	0.31	770	0.33	850	0.34	918	0.35	969	0.37	1007	0.41	1047	0.45	1088	0.49
1400	609	0.27	669	0.31	729	0.34	796	0.37	871	0.38	936	0.39	983	0.41	1022	0.45	1061	0.49	1102	0.53
1500	658	0.28	715	0.32	771	0.36	832	0.39	898	0.41	955	0.43	999	0.46	1037	0.50	1077	0.54	1117	0.58
1600	720	0.28	769	0.33	819	0.37	871	0.41	926	0.44	975	0.47	1016	0.51	1054	0.55	1093	0.60	1133	0.63
1700	779	0.30	822	0.35	864	0.39	908	0.44	953	0.48	995	0.52	1034	0.57	1072	0.61	1111	0.65	1150	0.69
1800	828	0.34	864	0.39	901	0.43	938	0.48	977	0.53	1015	0.58	1053	0.63	1091	0.67	1130	0.71	1169	0.75
1900	857	0.41	892	0.45	927	0.50	962	0.55	999	0.60	1036	0.65	1074	0.69	1112	0.73	1150	0.77	1188	0.81
2000	879	0.47	913	0.52	948	0.56	984	0.61	1020	0.67	1058	0.72	1096	0.76	1134	0.80	1172	0.84	1210	0.88
2100	900	0.53	935	0.58	970	0.63	1007	0.69	1044	0.74	1081	0.79	1119	0.84	1157	0.88	1195	0.91	1233	0.95
2200	922	0.60	958	0.65	994	0.71	1031	0.76	1068	0.82	1106	0.87	1143	0.91	1180	0.95	1218	0.99	1255	1.03
2300	947	0.67	983	0.73	1020	0.79	1057	0.85	1094	0.90	1131	0.95	1168	1.00	1205	1.03	1242	1.07	1277	1.13
2400	974	0.76	1010	0.82	1047	0.88	1084	0.94	1120	0.99	1157	1.04	1193	1.08	1230	1.12	1267	1.16	1300	1.23

Air Volume (cfm)	External Static (in.w.g.)																			
	1.1		1.2		1.3		1.4		1.5		1.6		1.7		1.8		1.9		2.0	
	RPM	BHP	RPM	BHP	RPM	BHP	RPM	BHP	RPM	BHP	RPM	BHP	RPM	BHP	RPM	BHP	RPM	BHP	RPM	BHP
1100	1106	0.44	1151	0.47	1197	0.49	1238	0.52	1272	0.56	---	---	---	---	---	---	---	---	---	---
1200	1117	0.48	1161	0.51	1206	0.53	1245	0.57	1278	0.60	1312	0.64	1346	0.67	1380	0.71	---	---	---	---
1300	1129	0.52	1172	0.55	1216	0.58	1254	0.61	1287	0.65	1320	0.69	1354	0.72	1388	0.76	1421	0.79	1455	0.82
1400	1143	0.57	1185	0.60	1227	0.63	1264	0.66	1296	0.70	1329	0.74	1363	0.77	1397	0.81	1430	0.85	1464	0.88
1500	1157	0.62	1199	0.65	1239	0.68	1275	0.71	1306	0.75	1339	0.79	1373	0.83	1406	0.87	1440	0.90	1473	0.94
1600	1173	0.67	1214	0.70	1253	0.73	1288	0.77	1318	0.81	1351	0.85	1384	0.89	1417	0.93	1451	0.96	1484	1.00
1700	1190	0.72	1230	0.76	1268	0.79	1301	0.83	1331	0.87	1363	0.92	1396	0.95	1429	0.99	1462	1.03	1495	1.07
1800	1208	0.78	1247	0.82	1285	0.86	1317	0.90	1345	0.94	1377	0.98	1410	1.02	1442	1.06	1475	1.10	1508	1.14
1900	1227	0.85	1267	0.88	1303	0.92	1333	0.97	1360	1.02	1392	1.06	1424	1.10	1457	1.14	1489	1.18	1522	1.22
2000	1248	0.92	1286	0.96	1321	1.00	1350	1.05	1377	1.10	1409	1.14	1441	1.18	1473	1.22	1505	1.26	1537	1.30
2100	1269	1.00	1306	1.04	1339	1.09	1367	1.14	1395	1.19	1426	1.23	1458	1.27	1490	1.31	1522	1.35	1554	1.39
2200	1290	1.09	1324	1.14	1356	1.19	1385	1.24	1413	1.28	1444	1.32	1476	1.36	1508	1.41	1540	1.45	1572	1.49
2300	1310	1.20	1343	1.26	1374	1.30	1403	1.34	1432	1.38	1464	1.42	1495	1.46	1527	1.51	1559	1.55	1591	1.59
2400	1332	1.31	1364	1.37	1394	1.41	1423	1.45	1453	1.48	1484	1.53	1516	1.57	1547	1.61	1579	1.65	1612	1.70

BLOWER DATA

BELT DRIVE | 5 TON | HORIZONTAL

BLOWER TABLE INCLUDES RESISTANCE FOR BASE UNIT ONLY WITH DRY INDOOR COIL AND AIR FILTERS IN PLACE.

FOR ALL UNITS ADD:

1 - Any factory installed options air resistance (heat section, economizer, etc.).

2 - Any field installed accessories air resistance (duct resistance, diffuser, etc.).

See page 42 for blower motors and drives and wet coil and options/accessory air resistance data.

Air Volume (cfm)	External Static (in.w.g.)																			
	0.10		0.20		0.30		0.40		0.50		0.60		0.70		0.80		0.9		1.0	
	RPM	BHP	RPM	BHP	RPM	BHP	RPM	BHP	RPM	BHP	RPM	BHP	RPM	BHP	RPM	BHP	RPM	BHP	RPM	BHP
1100	503	0.14	569	0.17	636	0.20	703	0.23	769	0.26	842	0.28	909	0.30	964	0.33	1008	0.36	1049	0.40
1200	525	0.16	590	0.20	657	0.23	722	0.26	787	0.29	857	0.31	921	0.34	974	0.37	1016	0.40	1056	0.43
1300	548	0.19	613	0.23	679	0.26	743	0.29	806	0.32	873	0.35	934	0.37	984	0.41	1026	0.44	1065	0.47
1400	574	0.22	638	0.26	702	0.30	765	0.33	827	0.36	891	0.39	949	0.41	996	0.45	1037	0.48	1076	0.51
1500	609	0.25	671	0.29	733	0.33	793	0.36	851	0.39	911	0.42	965	0.46	1010	0.49	1049	0.53	1088	0.56
1600	654	0.28	712	0.32	769	0.36	825	0.39	879	0.43	933	0.47	982	0.50	1024	0.54	1063	0.58	1101	0.61
1700	703	0.31	756	0.35	807	0.39	858	0.43	906	0.47	955	0.51	999	0.55	1039	0.59	1078	0.63	1117	0.66
1800	752	0.34	798	0.38	844	0.43	889	0.48	933	0.52	977	0.57	1017	0.61	1056	0.65	1094	0.68	1133	0.72
1900	796	0.38	837	0.43	878	0.48	918	0.53	958	0.58	997	0.62	1036	0.67	1074	0.71	1112	0.74	1151	0.77
2000	833	0.43	870	0.48	907	0.54	943	0.59	980	0.64	1018	0.69	1055	0.73	1093	0.77	1131	0.80	1170	0.83
2100	864	0.50	897	0.55	931	0.60	966	0.65	1002	0.71	1038	0.76	1075	0.80	1113	0.83	1151	0.87	1189	0.90
2200	887	0.57	920	0.62	953	0.67	988	0.73	1024	0.78	1060	0.83	1097	0.87	1135	0.90	1173	0.94	1210	0.98
2300	909	0.64	942	0.70	976	0.75	1011	0.81	1046	0.86	1083	0.91	1120	0.95	1157	0.98	1195	1.02	1231	1.06
2400	931	0.72	965	0.78	999	0.83	1035	0.89	1071	0.94	1108	0.99	1144	1.03	1181	1.07	1217	1.10	1252	1.15

Air Volume (cfm)	External Static (in.w.g.)																			
	1.1		1.2		1.3		1.4		1.5		1.6		1.7		1.8		1.9		2.0	
	RPM	BHP	RPM	BHP	RPM	BHP	RPM	BHP	RPM	BHP	RPM	BHP	RPM	BHP	RPM	BHP	RPM	BHP	RPM	BHP
1100	1090	0.42	1132	0.45	1175	0.47	1216	0.50	1257	0.53	1296	0.56	1334	0.59	1370	0.62	1405	0.65	1439	0.69
1200	1097	0.46	1139	0.49	1181	0.51	1222	0.54	1263	0.57	1301	0.60	1338	0.63	1374	0.67	1409	0.70	1443	0.74
1300	1106	0.50	1147	0.53	1189	0.55	1230	0.58	1270	0.61	1307	0.65	1344	0.68	1379	0.72	1414	0.75	1447	0.79
1400	1116	0.54	1157	0.57	1198	0.60	1239	0.63	1278	0.66	1315	0.70	1351	0.74	1385	0.77	1419	0.81	1452	0.85
1500	1128	0.59	1168	0.62	1209	0.64	1249	0.68	1287	0.71	1323	0.75	1358	0.79	1393	0.83	1426	0.87	1458	0.91
1600	1141	0.64	1181	0.67	1222	0.70	1261	0.73	1298	0.77	1333	0.81	1367	0.85	1401	0.89	1433	0.93	1465	0.97
1700	1156	0.69	1196	0.72	1235	0.75	1273	0.79	1309	0.83	1344	0.87	1377	0.91	1410	0.96	1442	1.00	1473	1.04
1800	1172	0.75	1211	0.78	1250	0.81	1287	0.85	1322	0.90	1355	0.94	1388	0.98	1420	1.02	1451	1.07	1482	1.11
1900	1190	0.81	1228	0.84	1265	0.88	1301	0.92	1335	0.97	1367	1.01	1399	1.05	1431	1.10	1462	1.14	1492	1.18
2000	1208	0.87	1245	0.91	1281	0.96	1316	1.00	1349	1.04	1380	1.09	1412	1.13	1443	1.18	1473	1.22	1503	1.26
2100	1227	0.94	1263	0.99	1298	1.04	1331	1.08	1363	1.13	1394	1.17	1425	1.22	1455	1.26	1485	1.31	1515	1.35
2200	1246	1.02	1281	1.07	1315	1.12	1347	1.17	1379	1.22	1409	1.26	1439	1.31	1469	1.36	1499	1.40	1529	1.45
2300	1266	1.11	1300	1.16	1333	1.22	1364	1.27	1395	1.32	1424	1.36	1454	1.41	1484	1.46	1513	1.50	1543	1.55
2400	1286	1.20	1319	1.26	1351	1.32	1382	1.38	1411	1.43	1440	1.48	1470	1.52	1499	1.57	1528	1.61	1558	1.66

BLOWER DATA

BELT DRIVE | 6 TON | DOWNFLOW

BLOWER TABLE INCLUDES RESISTANCE FOR BASE UNIT ONLY WITH DRY INDOOR COIL AND AIR FILTERS IN PLACE.

FOR ALL UNITS ADD:

- 1 - Any factory installed options air resistance (heat section, economizer, etc.).
- 2 - Any field installed accessories air resistance (duct resistance, diffuser, etc.).

See page 42 for blower motors and drives and wet coil and options/accessory air resistance data.

Air Volume (cfm)	External Static (in.w.g.)																			
	0.10		0.20		0.30		0.40		0.50		0.60		0.70		0.80		0.9		1.0	
	RPM	BHP	RPM	BHP	RPM	BHP	RPM	BHP	RPM	BHP	RPM	BHP	RPM	BHP	RPM	BHP	RPM	BHP	RPM	BHP
1900	510	0.45	544	0.5	579	0.55	614	0.6	649	0.65	684	0.7	718	0.74	752	0.79	784	0.83	812	0.88
2000	526	0.49	560	0.55	595	0.6	629	0.65	663	0.7	697	0.75	730	0.79	763	0.84	794	0.88	820	0.93
2100	542	0.54	576	0.59	610	0.65	644	0.7	678	0.75	711	0.8	743	0.84	775	0.89	804	0.94	830	0.98
2200	560	0.59	593	0.64	627	0.7	660	0.75	693	0.8	725	0.85	757	0.9	787	0.94	814	0.99	840	1.03
2300	578	0.64	610	0.7	644	0.75	676	0.81	709	0.86	740	0.91	770	0.95	799	1	826	1.05	851	1.09
2400	597	0.7	629	0.75	661	0.81	693	0.86	725	0.91	755	0.96	784	1.01	812	1.06	838	1.11	862	1.15
2500	617	0.76	648	0.81	679	0.87	710	0.92	741	0.97	770	1.03	799	1.08	825	1.13	850	1.17	875	1.22
2600	637	0.82	667	0.87	698	0.93	728	0.98	758	1.04	786	1.09	814	1.15	839	1.2	864	1.24	887	1.28
2700	658	0.88	687	0.94	717	1	746	1.05	775	1.11	802	1.16	829	1.22	853	1.27	877	1.31	901	1.36
2800	679	0.95	708	1.01	736	1.07	764	1.12	792	1.18	819	1.24	844	1.3	868	1.35	892	1.39	915	1.43
2900	701	1.02	728	1.08	756	1.14	783	1.2	809	1.26	835	1.32	860	1.38	884	1.43	907	1.47	930	1.52

Air Volume (cfm)	External Static (in.w.g.)																			
	1.1		1.2		1.3		1.4		1.5		1.6		1.7		1.8		1.9		2.0	
	RPM	BHP	RPM	BHP	RPM	BHP	RPM	BHP	RPM	BHP	RPM	BHP	RPM	BHP	RPM	BHP	RPM	BHP	RPM	BHP
1900	837	0.92	861	0.96	886	1	913	1.04	939	1.07	966	1.11	992	1.16	1017	1.21	1041	1.27	1065	1.33
2000	845	0.97	870	1.01	895	1.05	921	1.09	948	1.12	974	1.17	999	1.22	1023	1.27	1047	1.33	1070	1.39
2100	855	1.02	879	1.06	904	1.1	930	1.14	956	1.18	982	1.22	1006	1.28	1030	1.34	1053	1.4	1075	1.46
2200	865	1.08	889	1.12	914	1.15	940	1.19	966	1.24	990	1.29	1014	1.34	1037	1.41	1059	1.47	1081	1.54
2300	875	1.13	900	1.17	925	1.21	951	1.25	976	1.3	999	1.35	1022	1.41	1044	1.48	1066	1.55	1087	1.62
2400	887	1.19	912	1.23	936	1.27	961	1.32	986	1.37	1009	1.43	1031	1.49	1052	1.57	1073	1.64	1094	1.71
2500	899	1.25	923	1.29	948	1.34	973	1.39	996	1.44	1018	1.51	1039	1.58	1060	1.65	1080	1.73	1101	1.8
2600	912	1.32	936	1.36	960	1.41	984	1.46	1007	1.52	1028	1.59	1049	1.67	1069	1.75	1089	1.82	1109	1.89
2700	925	1.4	949	1.44	973	1.49	996	1.55	1018	1.61	1038	1.69	1058	1.76	1078	1.84	1098	1.92	1118	1.99
2800	939	1.47	962	1.52	985	1.57	1008	1.64	1029	1.71	1049	1.79	1069	1.87	1088	1.94	1107	2.02	1127	2.09
2900	953	1.56	976	1.61	998	1.67	1020	1.73	1041	1.81	1060	1.89	1079	1.98	1098	2.06	1117	2.13	1137	2.21

BLOWER DATA

BELT DRIVE | 6 TON | HORIZONTAL

BLOWER TABLE INCLUDES RESISTANCE FOR BASE UNIT ONLY WITH DRY INDOOR COIL AND AIR FILTERS IN PLACE.

FOR ALL UNITS ADD:

- 1 - Any factory installed options air resistance (heat section, economizer, etc.).
- 2 - Any field installed accessories air resistance (duct resistance, diffuser, etc.).

See page 42 for blower motors and drives and wet coil and options/accessory air resistance data.

Air Volume (cfm)	External Static (in.w.g.)																			
	0.10		0.20		0.30		0.40		0.50		0.60		0.70		0.80		0.9		1.0	
	RPM	BHP	RPM	BHP	RPM	BHP	RPM	BHP	RPM	BHP	RPM	BHP	RPM	BHP	RPM	BHP	RPM	BHP	RPM	BHP
1900	485	0.55	516	0.57	549	0.59	583	0.62	618	0.65	654	0.69	689	0.73	724	0.77	758	0.82	790	0.86
2000	499	0.59	531	0.61	563	0.63	597	0.66	631	0.7	666	0.73	701	0.77	734	0.82	767	0.86	798	0.91
2100	514	0.63	546	0.65	578	0.68	611	0.71	645	0.74	679	0.78	712	0.82	745	0.86	777	0.91	806	0.96
2200	530	0.68	562	0.7	594	0.73	627	0.76	660	0.79	693	0.83	725	0.87	757	0.92	787	0.96	816	1.01
2300	548	0.73	579	0.75	610	0.78	643	0.81	675	0.85	707	0.88	738	0.93	769	0.97	798	1.02	826	1.06
2400	566	0.78	596	0.81	628	0.84	659	0.87	691	0.9	722	0.94	752	0.98	782	1.03	810	1.08	837	1.12
2500	585	0.84	615	0.86	645	0.9	676	0.93	707	0.96	737	1	767	1.05	795	1.09	822	1.14	848	1.19
2600	604	0.9	634	0.93	664	0.96	694	0.99	724	1.03	753	1.07	781	1.11	809	1.15	835	1.2	861	1.25
2700	624	0.96	653	0.99	682	1.02	712	1.06	741	1.09	769	1.13	796	1.18	823	1.22	849	1.27	873	1.32
2800	645	1.02	673	1.05	701	1.09	730	1.12	758	1.16	785	1.2	812	1.25	838	1.29	862	1.34	886	1.39
2900	665	1.09	693	1.12	721	1.16	748	1.19	775	1.23	802	1.27	827	1.32	852	1.36	877	1.41	900	1.46

Air Volume (cfm)	External Static (in.w.g.)																			
	1.1		1.2		1.3		1.4		1.5		1.6		1.7		1.8		1.9		2.0	
	RPM	BHP	RPM	BHP	RPM	BHP	RPM	BHP	RPM	BHP	RPM	BHP	RPM	BHP	RPM	BHP	RPM	BHP	RPM	BHP
1900	819	0.9	846	0.94	871	0.98	897	1.02	922	1.05	948	1.09	974	1.13	999	1.18	1025	1.23	1050	1.28
2000	826	0.95	852	0.99	877	1.03	902	1.06	928	1.1	953	1.14	979	1.18	1004	1.23	1029	1.28	1054	1.34
2100	834	1	859	1.04	884	1.08	909	1.12	934	1.15	960	1.2	985	1.24	1010	1.29	1034	1.35	1058	1.4
2200	842	1.05	868	1.1	892	1.13	917	1.17	942	1.21	967	1.26	992	1.3	1016	1.36	1040	1.41	1063	1.47
2300	852	1.11	877	1.15	901	1.19	926	1.23	950	1.27	975	1.32	999	1.37	1023	1.42	1046	1.48	1069	1.54
2400	862	1.17	887	1.21	911	1.25	935	1.3	959	1.34	983	1.39	1007	1.44	1030	1.5	1053	1.56	1075	1.62
2500	873	1.23	897	1.28	921	1.32	945	1.36	969	1.41	992	1.46	1016	1.52	1038	1.58	1060	1.64	1082	1.7
2600	885	1.3	909	1.34	932	1.39	955	1.43	979	1.49	1002	1.54	1025	1.6	1047	1.66	1069	1.73	1090	1.79
2700	897	1.37	920	1.41	944	1.46	967	1.51	990	1.57	1012	1.62	1034	1.69	1056	1.75	1077	1.82	1098	1.89
2800	910	1.44	933	1.49	955	1.54	978	1.6	1001	1.65	1023	1.72	1044	1.78	1066	1.85	1086	1.92	1107	1.99
2900	923	1.52	945	1.57	968	1.63	990	1.68	1012	1.75	1034	1.81	1055	1.88	1076	1.95	1096	2.02	1116	2.09

BLOWER DATA

BELT DRIVE KIT SPECIFICATIONS - 036-060

Model No.	Motor HP		No. of Speeds	Drive Kits and RPM Range					
	Nominal	Maximum		A01	A02	A03	A05	A06	A07
036	0.75	0.86	2	low 449-673 high 673-1010	---	---	---	---	---
	1	1.15	2	---	---	---	low 598-897 high 897-1346	---	---
048	0.75	0.86	2	---	low 497-673 high 745-1117	---	---	---	---
	2	2.3	2	---	---	---	---	low 714-953 high 1071-1429	---
060	1	1.15	2	---	---	low 555-833 high 833-1250	---	---	---
	2	2.3	2	---	---	---	---	---	low 808-1032 high 1212-1548

BELT DRIVE KIT SPECIFICATIONS - 072-074

Model No.	Motor HP		No. of Speeds	Drive Kits and RPM Range		
	Nominal	Maximum		AA01	AA02	AA03
072	1	1.15	1	522-784	---	---
	2	2.3	1	---	632-875	798-1105
074	1	1.15	2	522-784	---	---
	2	2.3	2	---	632-875	798-1105

FACTORY INSTALLED OPTIONS/FIELD INSTALLED ACCESSORY AIR RESISTANCE - in. w.g.

Air Volume cfm	Wet Indoor Coil			Reheat Coil	Gas Heating		Economizer	Filters		
	036	048	060, 072, 074		Medium Heat	High Heat		MERV 8	MERV 13	MERV 16

036-048 MODELS

800	0.01	0.01	---	0.00	0.02	0.02	0.04	0.04	0.05	0.04
1000	0.02	0.02	---	0.00	0.02	0.02	0.04	0.04	0.07	0.05
1200	0.03	0.04	---	0.01	0.02	0.02	0.04	0.04	0.07	0.05
1400	0.04	0.05	---	0.02	0.02	0.03	0.04	0.04	0.07	0.06
1600	0.05	0.06	---	0.03	0.03	0.04	0.04	0.04	0.07	0.08
1800	0.06	0.07	---	0.04	0.04	0.05	0.05	0.04	0.07	0.09
2000	0.08	0.09	---	0.04	0.04	0.06	0.05	0.05	0.08	0.10

060, 072, 074 MODELS

1000	---	---	0.02	0.00	0.02	0.02	0.04	0.03	0.05	0.05
1200	---	---	0.04	0.00	0.02	0.02	0.04	0.03	0.07	0.05
1400	---	---	0.05	0.01	0.02	0.03	0.04	0.04	0.07	0.05
1600	---	---	0.07	0.02	0.03	0.04	0.04	0.04	0.07	0.06
1800	---	---	0.08	0.02	0.03	0.05	0.05	0.05	0.07	0.08
2000	---	---	0.10	0.03	0.04	0.06	0.05	0.05	0.07	0.09
2200	---	---	0.11	0.04	0.04	0.07	0.05	0.05	0.08	0.10
2400	---	---	0.13	0.04	0.05	0.08	0.05	0.05	0.08	0.11
2600	---	---	0.15	0.05	0.05	0.09	0.06	0.05	0.08	0.12
2800	---	---	0.16	0.05	0.06	0.10	0.06	0.05	0.08	
3000	---	---	0.18	0.06	0.07	0.11	0.06	0.05	0.08	

POWER EXHAUST FAN PERFORMANCE

Return Air System Static Pressure in. w.g.	Air Volume Exhausted cfm
0.00	2000
0.05	1990
0.10	1924
0.15	1810
0.20	1664
0.25	1507
0.30	1350
0.35	1210

BLOWER DATA

CEILING DIFFUSERS AIR RESISTANCE (in. w.g.)

Air Volume cfm	RTD9-65S Step-Down Diffuser			FD9-65S Flush Diffuser	RTD11-95S Step-Down Diffuser			FD11-95S Flush Diffuser
	2 Ends Open	1 Side & 2 Ends Open	All Ends & Sides Open		2 Ends Open	1 Side & 2 Ends Open	All Ends & Sides Open	
800	0.15	0.13	0.11	0.11	---	---	---	---
1000	0.19	0.16	0.14	0.14	---	---	---	---
1200	0.25	0.20	0.17	0.17	---	---	---	---
1400	0.33	0.26	0.20	0.20	---	---	---	---
1600	0.43	0.32	0.20	0.24	---	---	---	---
1800	0.56	0.40	0.30	0.30	0.13	0.11	0.09	0.09
2000	0.73	0.50	0.36	0.36	0.15	0.13	0.11	0.10
2200	0.95	0.63	0.44	0.44	0.18	0.15	0.12	0.12
2400	---	----	---	---	0.21	0.18	0.15	0.14
2600	---	----	---	---	0.24	0.21	0.18	0.17
2800	---	----	---	---	0.27	0.24	0.21	0.20
3000	---	----	---	---	0.32	0.29	0.25	0.25

CEILING DIFFUSER AIR THROW DATA

Air Volume - cfm	¹ Effective Throw - ft.	
Model No.	RTD9-65S	FD9-65S
800	10 - 17	14 - 18
1000	10 - 17	15 - 20
1200	11 - 18	16 - 22
1400	12 - 19	17 - 24
1600	12 - 20	18 - 25
1800	13 - 21	20 - 28
2000	14 - 23	21 - 29
2200	16 - 25	22 - 30
Model No.	RTD11-95S	FD11-95S
2600	24 - 29	19 - 24
2800	25 - 30	20 - 28
3000	27 - 33	21 - 29

¹ Effective throw based on terminal velocities of 75 ft. per minute.

ELECTRICAL DATA

3 TON

Model No.		LGH036H4			
¹ Voltage - 60hz		208/230V - 1 Ph	208/230V - 3 Ph	460V - 3 Ph	575V - 3 Ph
Compressor	Rated Load Amps	14.2	8.8	4	3.4
	Locked Rotor Amps	78.1	70	31	27
Outdoor Fan Motor	Full Load Amps	4.1	4.1	2.1	1.6
Power Exhaust (1) 0.33 HP	Full Load Amps	2.4	2.4	1.3	1
Service Outlet 115V GFI (amps)		15	15	15	20
Indoor Blower Motor	Horsepower	0.5	0.5	0.5	0.5
	Full Load Amps	4.3	4.3	2.2	1.7
² Maximum Overcurrent Protection	Unit Only	40	25	15	15
	With (1) 0.33 HP Power Exhaust	40	30	15	15
³ Minimum Circuit Ampacity	Unit Only	27	20	10	8
	With (1) 0.33 HP Power Exhaust	29	22	11	9

NOTE - All units have a minimum Short Circuit Current Rating (SCCR) of 5000 amps.

¹ Extremes of operating range are plus and minus 10% of line voltage.

² HACR type breaker or fuse.

³ Refer to National or Canadian Electrical Code manual to determine wire, fuse and disconnect size requirements.

Model No.		LGH036S4					
¹ Voltage - 60hz		208/230V - 3 Ph		460V - 3 Ph		575V - 3 Ph	
Compressor	Rated Load Amps	8.8		4		3.4	
	Locked Rotor Amps	70		31		27	
Outdoor Fan Motor	Full Load Amps	0.9		0.6		0.5	
Power Exhaust (1) 0.33 HP	Full Load Amps	2.4		1.3		1	
Service Outlet 115V GFI (amps)		15		15		20	
Indoor Blower Motor	Horsepower	0.75	1	0.75	1	0.75	1
	Full Load Amps	3.5	4.6	1.6	2.1	1.3	1.7
² Maximum Overcurrent Protection	Unit Only	20	25	15	15	15	15
	With (1) 0.33 HP Power Exhaust	25	25	15	15	15	15
³ Minimum Circuit Ampacity	Unit Only	16	17	8	8	7	7
	With (1) 0.33 HP Power Exhaust	18	19	9	9	8	8

NOTE - All units have a minimum Short Circuit Current Rating (SCCR) of 5000 amps.

¹ Extremes of operating range are plus and minus 10% of line voltage.

² HACR type breaker or fuse.

³ Refer to National or Canadian Electrical Code manual to determine wire, fuse and disconnect size requirements.

ELECTRICAL DATA
4 TON

Model No.		LGH048H4			
¹ Voltage - 60hz		208/230V - 1 Ph	208/230V - 3 Ph	460V - 3 Ph	575V - 3 Ph
Compressor	Rated Load Amps	17.1	11.7	5.7	4.9
	Locked Rotor Amps	109	123	60	41
Outdoor Fan Motor	Full Load Amps	4.1	4.1	2.1	1.6
Power Exhaust (1) 0.33 HP	Full Load Amps	2.4	2.4	1.3	1
Service Outlet 115V GFI (amps)		15	15	15	20
Indoor Blower Motor	Horsepower	0.75	0.75	0.75	0.75
	Full Load Amps	6.1	6.1	3.1	2.4
² Maximum Overcurrent Protection	Unit Only	45	35	15	15
	With (1) 0.33 HP Power Exhaust	50	35	15	15
³ Minimum Circuit Ampacity	Unit Only	32	25	13	11
	With (1) 0.33 HP Power Exhaust	34	28	14	12

NOTE - All units have a minimum Short Circuit Current Rating (SCCR) of 5000 amps.

¹ Extremes of operating range are plus and minus 10% of line voltage.

² HACR type breaker or fuse.

³ Refer to National or Canadian Electrical Code manual to determine wire, fuse and disconnect size requirements.

Model No.		LGH048S4					
¹ Voltage - 60hz		208/230V - 3 Ph		460V - 3 Ph		575V - 3 Ph	
Compressor	Rated Load Amps	11.7		5.7		4.9	
	Locked Rotor Amps	123		60		41	
Outdoor Fan Motor	Full Load Amps	1.7		1.1		0.7	
Power Exhaust (1) 0.33 HP	Full Load Amps	2.4		1.3		1	
Service Outlet 115V GFI (amps)		15		15		20	
Indoor Blower Motor	Horsepower	0.75	2	0.75	2	0.75	2
	Full Load Amps	3.5	7.5	1.6	3.4	1.3	2.7
² Maximum Overcurrent Protection	Unit Only	30	35	15	15	15	15
	With (1) 0.33 HP Power Exhaust	30	35	15	15	15	15
³ Minimum Circuit Ampacity	Unit Only	20	24	10	12	9	10
	With (1) 0.33 HP Power Exhaust	23	27	12	13	10	11

NOTE - All units have a minimum Short Circuit Current Rating (SCCR) of 5000 amps.

¹ Extremes of operating range are plus and minus 10% of line voltage.

² HACR type breaker or fuse.

³ Refer to National or Canadian Electrical Code manual to determine wire, fuse and disconnect size requirements.

ELECTRICAL DATA
5 TON

Model No.		LGH060H4			
¹ Voltage - 60hz		208/230V - 1 Ph	208/230V - 3 Ph	460V - 3 Ph	575V - 3 Ph
Compressor	Rated Load Amps	23.5	14	6.5	4.9
	Locked Rotor Amps	118	93	60	41
Outdoor Fan Motor	Full Load Amps	4.1	4.1	2.1	1.6
Power Exhaust (1) 0.33 HP	Full Load Amps	2.4	2.4	1.3	1
Service Outlet 115V GFI (amps)		15	15	15	20
Indoor Blower Motor	Horsepower	1	1	1	1
	Full Load Amps	7.4	7.4	3.7	3
² Maximum Overcurrent Protection	Unit Only	60	40	20	15
	With (1) 0.33 HP Power Exhaust	60	45	20	15
³ Minimum Circuit Ampacity	Unit Only	41	29	14	11
	With (1) 0.33 HP Power Exhaust	44	32	16	12

NOTE - All units have a minimum Short Circuit Current Rating (SCCR) of 5000 amps.

¹ Extremes of operating range are plus and minus 10% of line voltage.

² HACR type breaker or fuse.

³ Refer to National or Canadian Electrical Code manual to determine wire, fuse and disconnect size requirements.

Model No.		LGH060S4					
¹ Voltage - 60hz		208/230V - 3 Ph		460V - 3 Ph		575V - 3 Ph	
Compressor	Rated Load Amps	14		6.5		4.9	
	Locked Rotor Amps	93		60		41	
Outdoor Fan Motor	Full Load Amps	2.4		1.3		1	
Power Exhaust (1) 0.33 HP	Full Load Amps	2.4		1.3		1	
Service Outlet 115V GFI (amps)		15		15		20	
Indoor Blower Motor	Horsepower	1	2	1	2	1	2
	Full Load Amps	4.6	7.5	2.1	3.4	1.7	2.7
² Maximum Overcurrent Protection	Unit Only	35	40	15	15	15	15
	With (1) 0.33 HP Power Exhaust	40	40	15	20	15	15
³ Minimum Circuit Ampacity	Unit Only	25	28	12	13	9	10
	With (1) 0.33 HP Power Exhaust	27	30	13	15	10	11

NOTE - All units have a minimum Short Circuit Current Rating (SCCR) of 5000 amps.

¹ Extremes of operating range are plus and minus 10% of line voltage.

² HACR type breaker or fuse.

³ Refer to National or Canadian Electrical Code manual to determine wire, fuse and disconnect size requirements.

ELECTRICAL DATA
6 TON

Model No.		LGH072H4					
¹ Voltage - 60hz		208/230V - 3 Ph		460V - 3 Ph		575V - 3 Ph	
Compressor	Rated Load Amps	19.6		8.2		6.6	
	Locked Rotor Amps	136		66.1		55.3	
Outdoor Fan Motor	Full Load Amps	2.4		1.3		1	
Power Exhaust (1) 0.33 HP	Full Load Amps	2.4		1.3		1	
Service Outlet 115V GFI (amps)		15		15		20	
Indoor Blower Motor	Horsepower	1	2	1	2	1	2
	Full Load Amps	4.6	7.5	2.1	3.4	1.7	2.7
² Maximum Overcurrent Protection	Unit Only	50	50	20	20	15	15
	With (1) 0.33 HP Power Exhaust	50	50	20	20	15	15
³ Minimum Circuit Ampacity	Unit Only	32	35	14	15	11	12
	With (1) 0.33 HP Power Exhaust	34	37	15	17	12	13

NOTE - All units have a minimum Short Circuit Current Rating (SCCR) of 5000 amps.

¹ Extremes of operating range are plus and minus 10% of line voltage.

² HACR type breaker or fuse.

³ Refer to National or Canadian Electrical Code manual to determine wire, fuse and disconnect size requirements.

Model No.		LGH074H4					
¹ Voltage - 60hz		208/230V - 3 Ph		460V - 3 Ph		575V - 3 Ph	
Compressor	Rated Load Amps	17.6		8.5		6.3	
	Locked Rotor Amps	136		66.1		55.3	
Outdoor Fan Motor	Full Load Amps	2.4		1.3		1	
Power Exhaust (1) 0.33 HP	Full Load Amps	2.4		1.3		1	
Service Outlet 115V GFI (amps)		15		15		20	
Indoor Blower Motor	Horsepower	1	2	1	2	1	2
	Full Load Amps	4.6	7.5	2.1	3.4	1.7	2.7
² Maximum Overcurrent Protection	Unit Only	45	45	20	20	15	15
	With (1) 0.33 HP Power Exhaust	45	50	20	25	15	15
³ Minimum Circuit Ampacity	Unit Only	29	32	15	16	11	12
	With (1) 0.33 HP Power Exhaust	32	35	16	17	12	13

NOTE - All units have a minimum Short Circuit Current Rating (SCCR) of 5000 amps.

¹ Extremes of operating range are plus and minus 10% of line voltage.

² HACR type breaker or fuse.

³ Refer to National or Canadian Electrical Code manual to determine wire, fuse and disconnect size requirements.

OUTDOOR SOUND DATA

1 Unit Model No.	Octave Band Sound Power Levels dBA, re 10 ⁻¹² Watts Center Frequency - Hz							1 Sound Rating Number dBA
	125	250	500	1000	2000	4000	8000	
036, 048	63	66	70	71	68	62	53	75
060, 072, 074	67	72	77	76	73	68	61	82

NOTE - The octave sound power data does not include tonal corrections.

¹ Sound Rating Number according to AHRI Standard 270-95 (includes pure tone penalty). Sound Rating Number is the overall A-Weighted Sound Power Level, (Lwa), dBA (100 Hz to 10,000 Hz).

WEIGHT DATA

UNIT

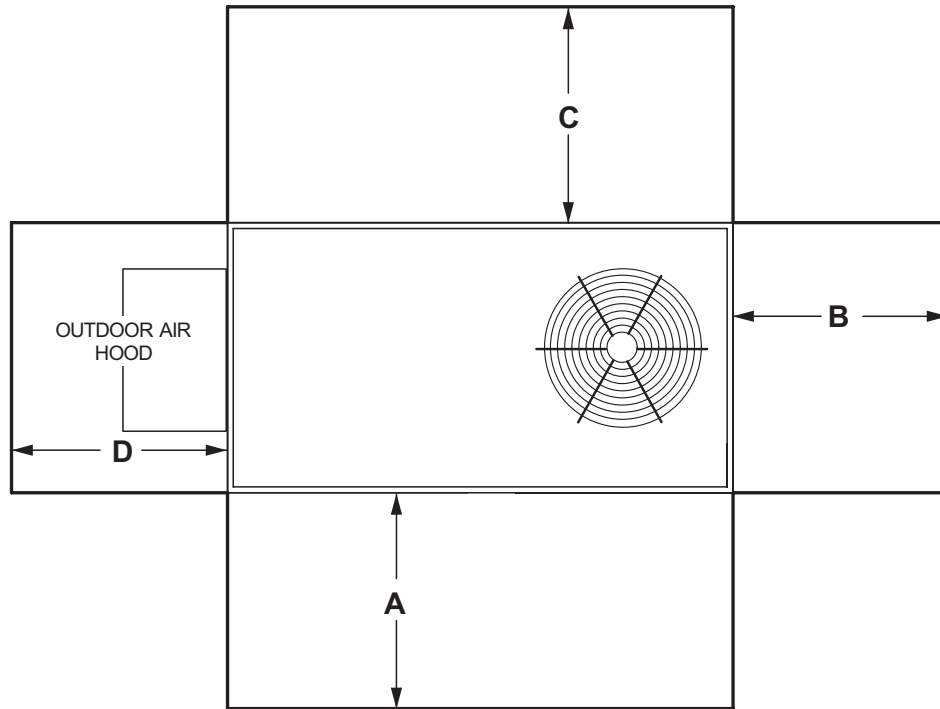
Model Number	Outdoor Coil	Net		Shipping		Outdoor Coil	Net		Shipping	
		lbs.	kg	lbs.	kg		lbs.	kg	lbs.	kg
036 Base Unit	Environ™	549	249	610	277	Fin/Tube	568	257	629	285
036 Max. Unit	Environ™	743	337	804	365	Fin/Tube	762	346	823	373
048 Base Unit	Environ™	565	256	626	284	Fin/Tube	598	271	659	299
048 Max. Unit	Environ™	754	342	834	378	Fin/Tube	806	366	867	393
060 Base Unit	Environ™	643	292	704	319	Fin/Tube	685	311	746	338
060 Max. Unit	Environ™	871	395	932	423	Fin/Tube	913	414	974	442
072 Base Unit	Environ™	720	327	781	354	Fin/Tube	762	346	823	373
072 Max. Unit	Environ™	918	416	979	444	Fin/Tube	960	436	1021	463
074 Base Unit	Environ™	720	327	781	354	Fin/Tube	762	346	823	373
074 Max. Unit	Environ™	918	416	979	444	Fin/Tube	960	436	1021	463

WEIGHT DATA

OPTIONS / ACCESSORIES

		Shipping Weight	
		lbs.	kg.
ECONOMIZER / OUTDOOR AIR / EXHAUST			
Economizer			
Economizer, Includes Combination Outdoor Air Hood and Barometric Relief Dampers		131	59
Outdoor Air Dampers			
Motorized		40	18
Manual		30	14
Power Exhaust			
Standard Static		35	17
GAS HEAT			
Medium Heat (adder over standard heat)		8	4
High Heat (adder over standard heat)		19	9
ROOF CURBS			
Hybrid Roof Curbs, Downflow			
8 in. height	C1CURB70A-1	50	23
14 in. height	C1CURB71A-1	70	32
18 in. height	C1CURB72A-1	80	36
24 in. height	C1CURB73A-1	100	45
Adjustable Pitch Curb, Downflow			
14 in. height		113	51
CEILING DIFFUSERS			
Step-Down	RTD9-65S	80	36
	RTD11-95S	118	54
Flush	FD9-65S	80	36
	FD11-95S	118	54
Transitions	T1TRAN10AN1	22	10
	T1TRAN20N-1	21	10
HUMIDITROL® DEHUMIDIFICATION SYSTEM			
Humiditrol Dehumidification Option (Net Weight)		27	12

UNIT CLEARANCES



1 Unit Clearance	A		B		C		D		Top Clearance
	in.	mm	in.	mm	in.	mm	in.	mm	
Service Clearance	48	1219	36	914	36	934	36	914	Unobstructed
Clearance to Combustibles	36	914	1	25	1	25	1	25	
Minimum Operation Clearance	36	914	36	914	36	914	36	914	

NOTE - Entire perimeter of unit base requires support when elevated above the mounting surface.

¹ **Service Clearance** - Required for removal of serviceable parts.

Clearance to Combustibles - Required clearance to combustible material.

Minimum Operation Clearance - Required clearance for proper unit operation.

DIMENSIONS

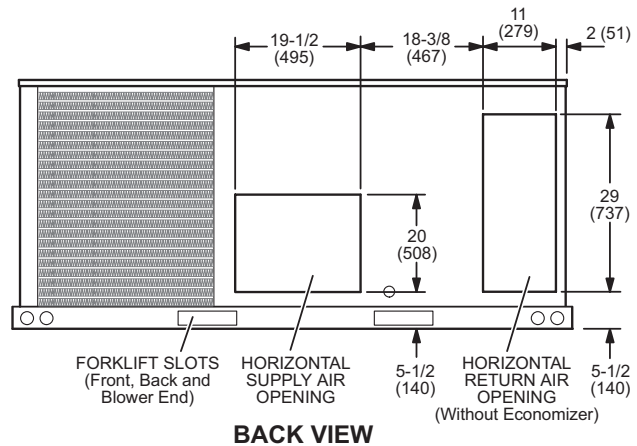
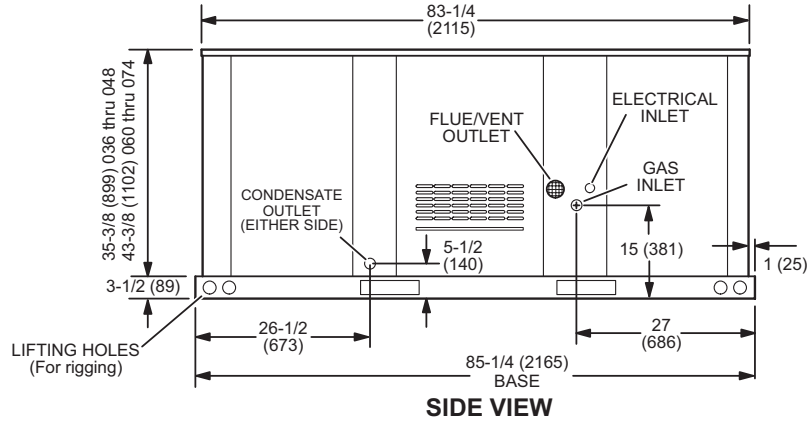
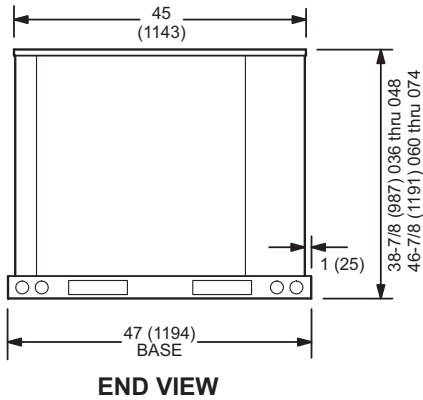
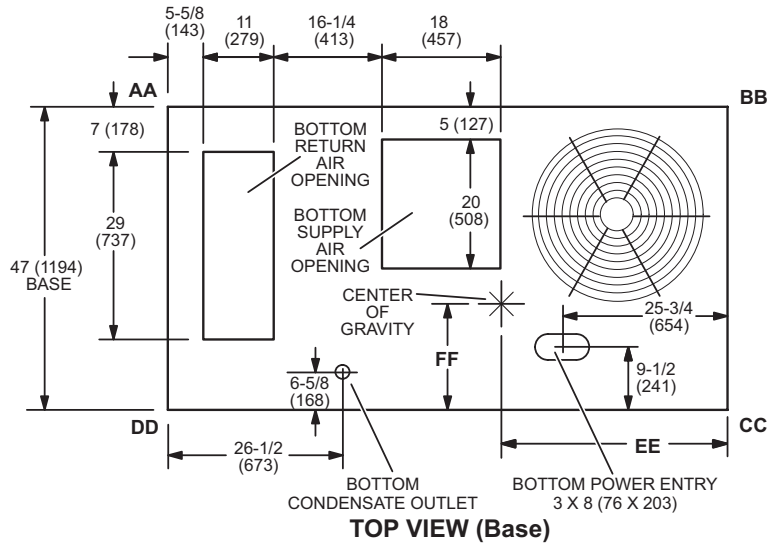
UNIT

CORNER WEIGHTS

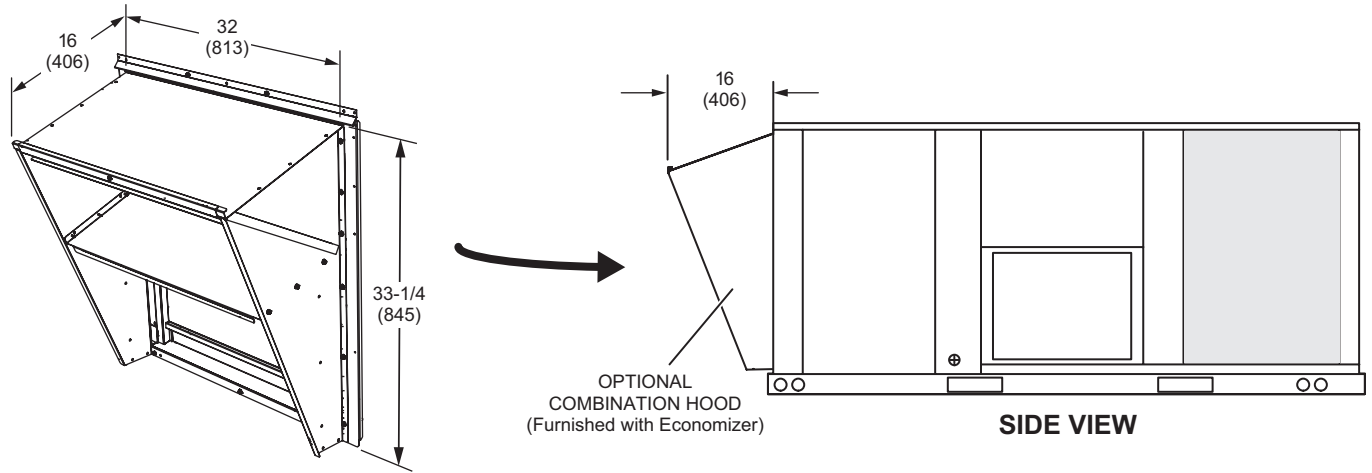
Model No.	AA		BB		CC		DD		E CENTER OF GRAVITY EE		FF	
	lbs.	kg	lbs.	kg	lbs.	kg	lbs.	kg	in.	mm	in.	mm
LGH036 Base Unit	98	45	119	54	192	87	158	72	38.5	978	18	457
LGH036 Max. Unit	137	62	155	70	250	113	221	100	40	1016	18	457
LGH048 Base Unit	104	47	126	57	202	92	167	76	38.5	978	18	457
LGH048 Max. Unit	145	66	164	74	264	120	233	106	40	1016	18	457
LGH060 Base Unit	118	54	144	65	232	105	191	87	38.5	978	18	457
LGH060 Max. Unit	164	75	186	84	299	136	264	120	40	1016	18	457
LGH072 Base Unit	132	60	160	73	258	117	212	96	38.5	978	18	457
LGH072 Max. Unit	173	78	195	89	314	143	278	126	40	1016	18	457
LGH074 Base Unit	132	60	160	73	258	117	212	96	38.5	978	18	457
LGH074 Max. Unit	173	78	195	89	314	143	278	126	40	1016	18	457

Base Unit - The unit with NO INTERNAL OPTIONS.

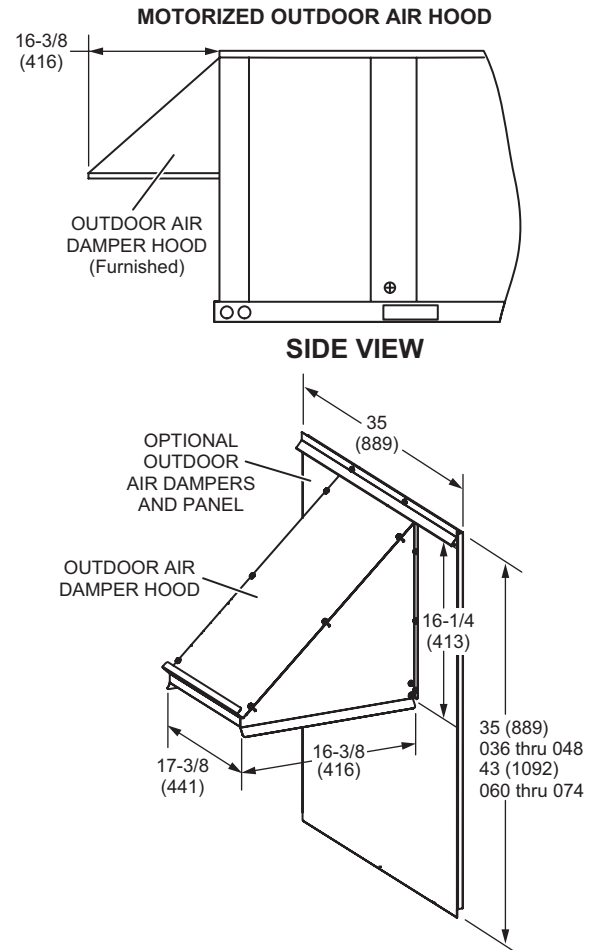
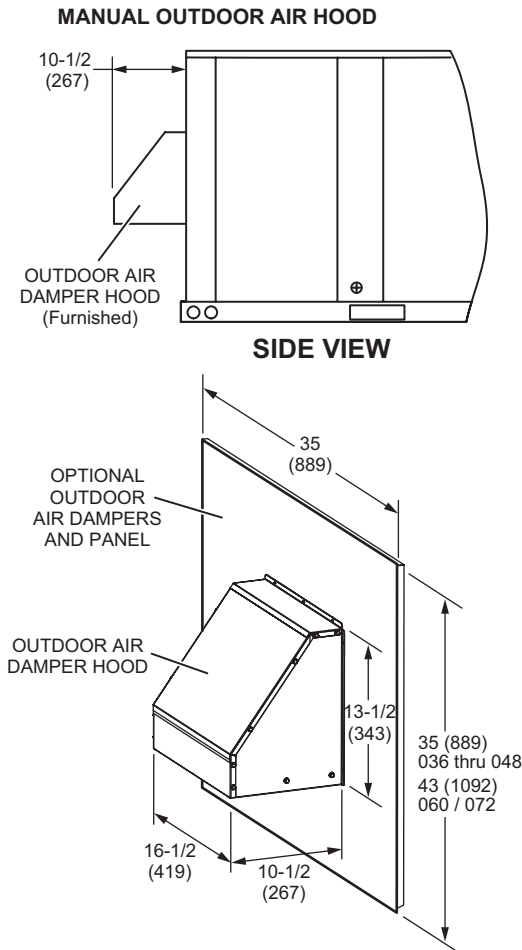
Max. Unit - The unit with ALL INTERNAL OPTIONS Installed. (Economizer, Standard Static Power Exhaust Fans, Controls, etc.). Does not include accessories external to unit or high static power exhaust.



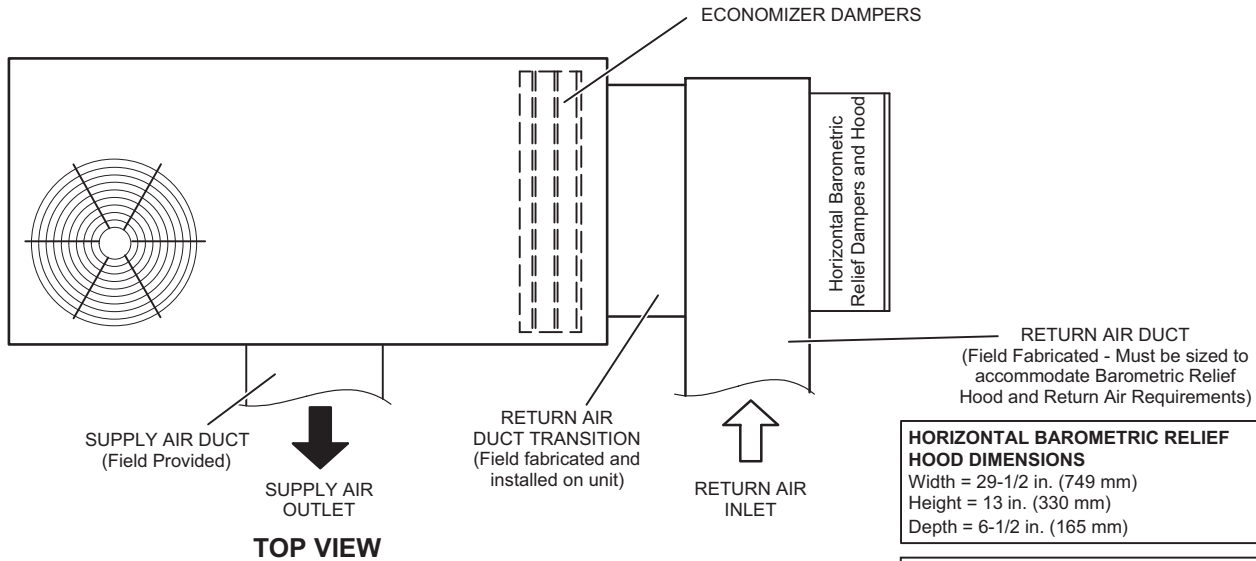
**COMBINATION OUTDOOR AIR HOOD DETAIL FOR OPTIONAL ECONOMIZER AND BAROMETRIC RELIEF DAMPERS
(Furnished With Economizer for Downflow Applications)**



OUTDOOR AIR DAMPER HOOD DETAIL (Downflow or Horizontal Applications)

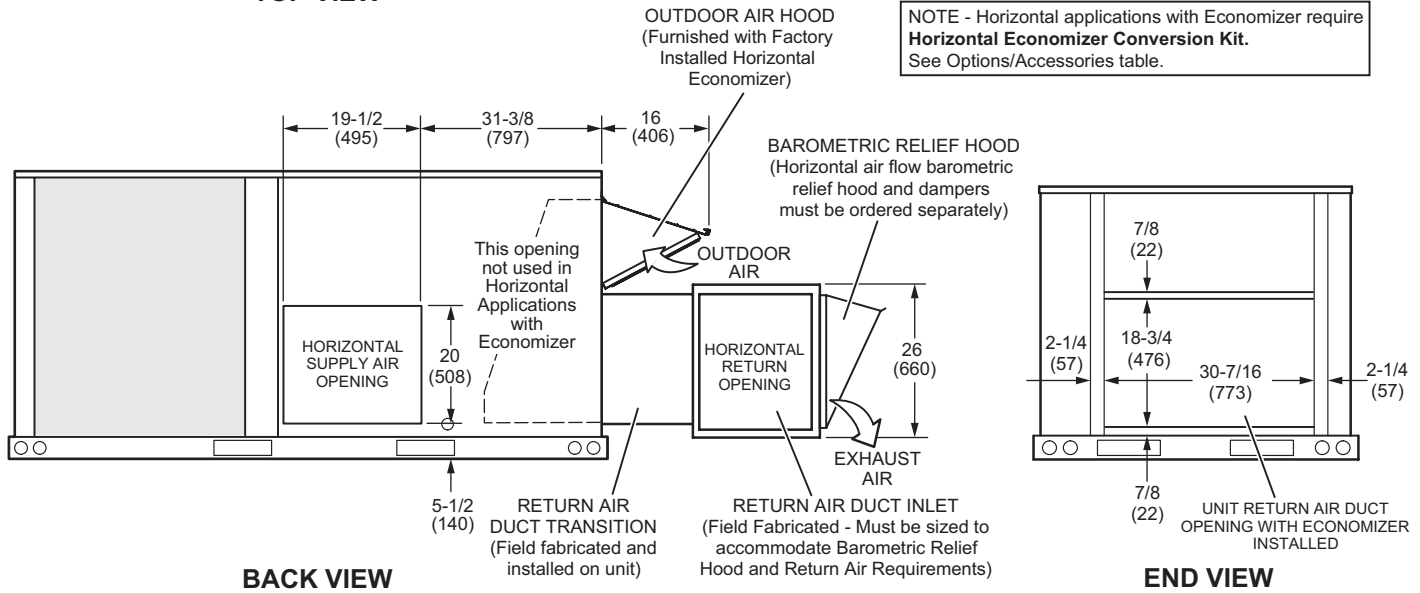


**OUTDOOR AIR HOOD DETAIL WITH OPTIONAL ECONOMIZER AND
OPTIONAL BAROMETRIC RELIEF DAMPERS WITH HOOD
(Horizontal Application)**



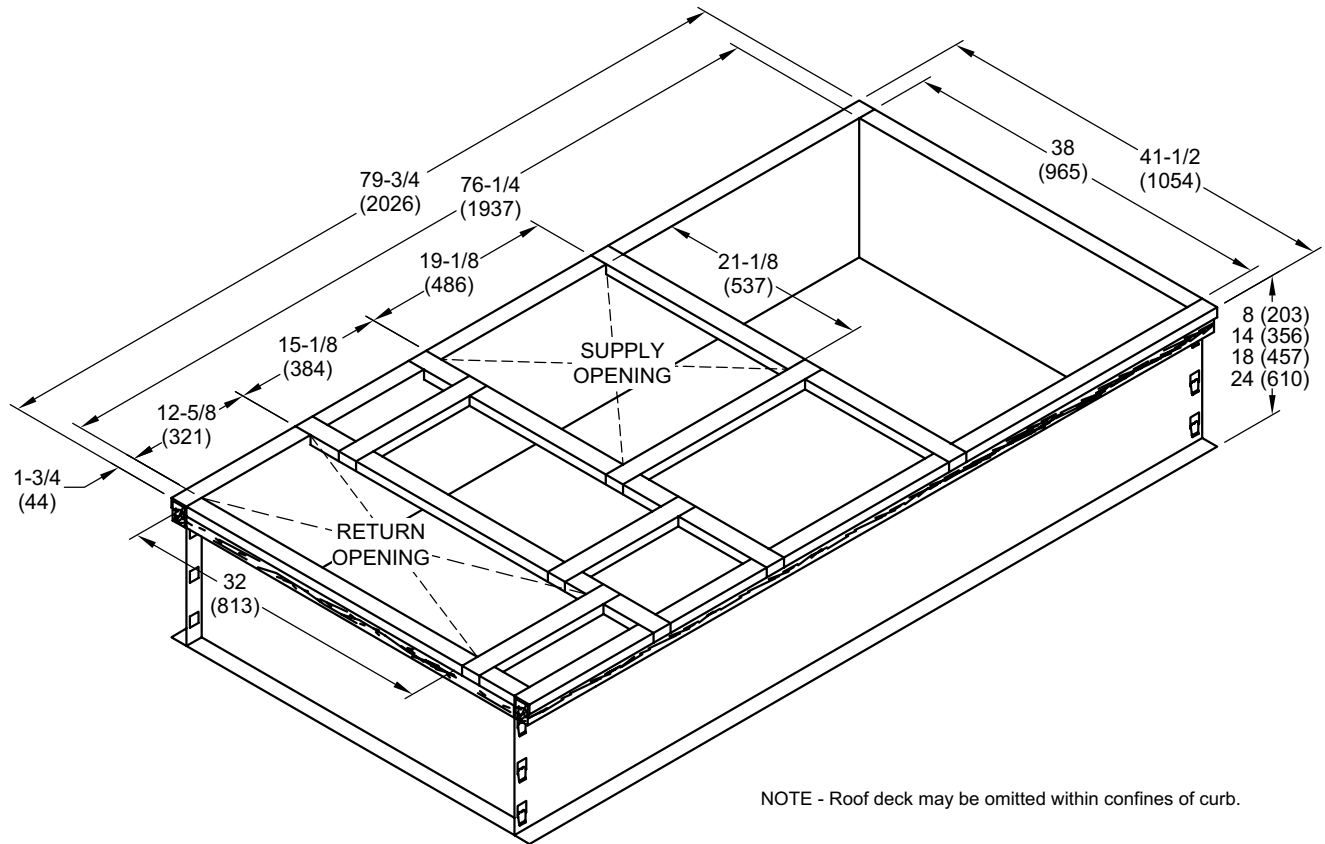
HORIZONTAL BAROMETRIC RELIEF HOOD DIMENSIONS
 Width = 29-1/2 in. (749 mm)
 Height = 13 in. (330 mm)
 Depth = 6-1/2 in. (165 mm)

NOTE - Horizontal applications with Economizer require Horizontal Economizer Conversion Kit. See Options/Accessories table.

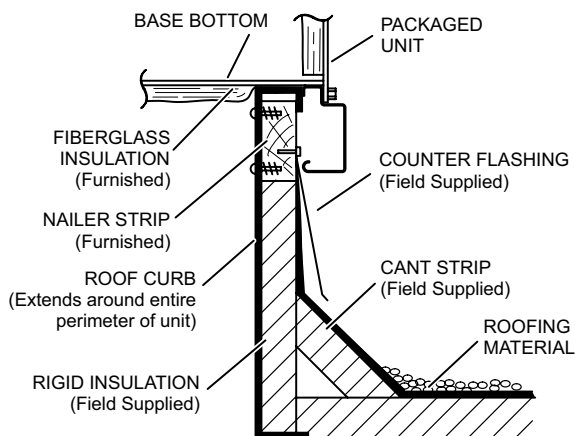


NOTE - Return Air Duct and Transition must be supported

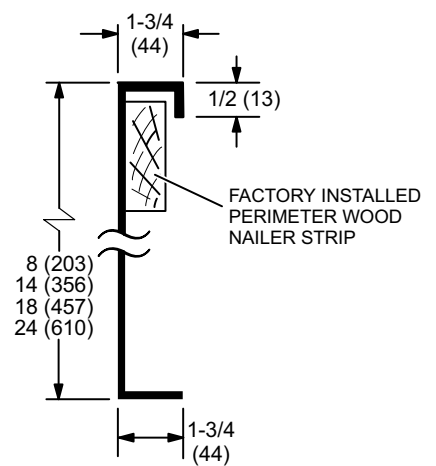
HYBRID ROOF CURBS - DOUBLE DUCT OPENING



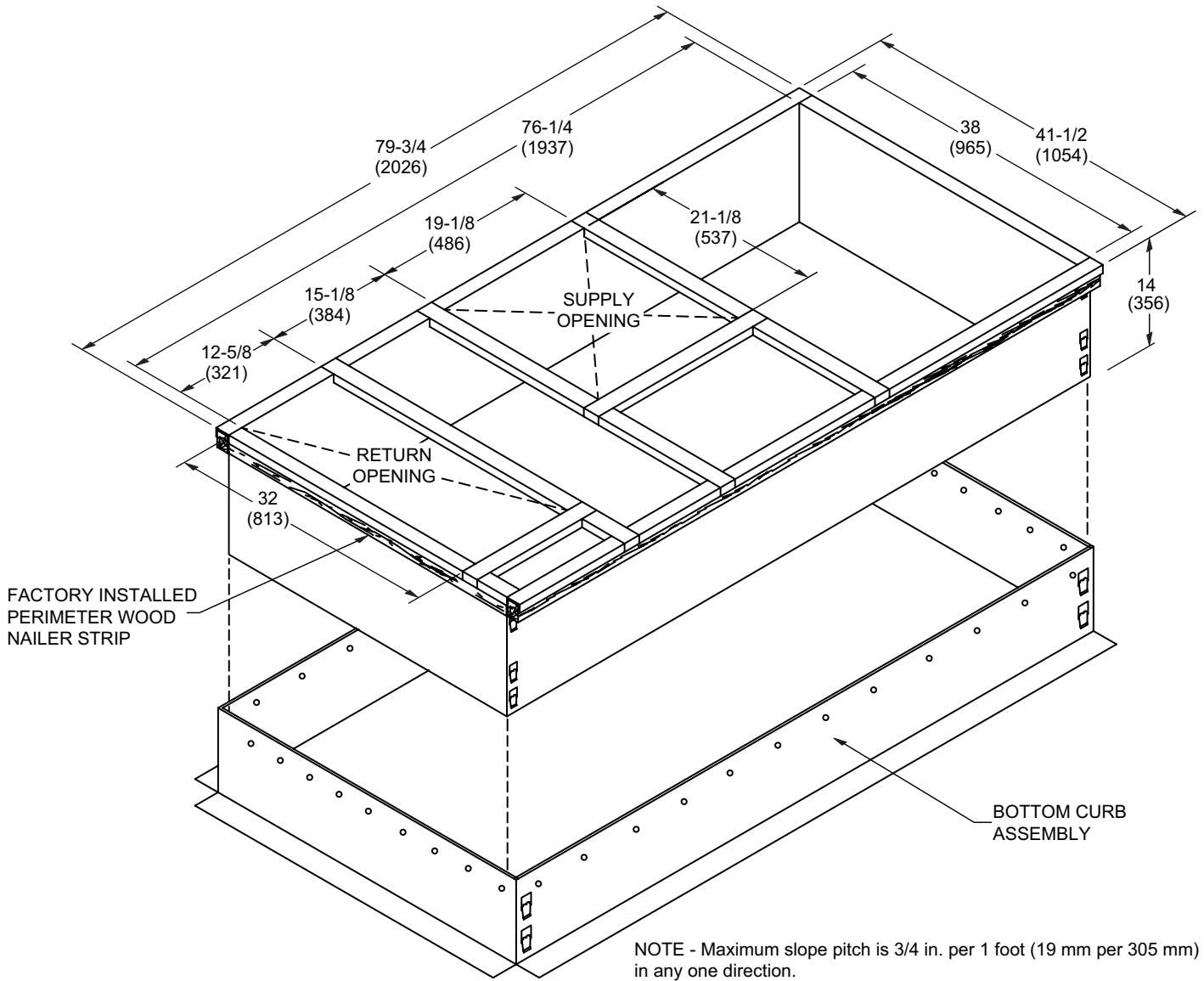
TYPICAL FLASHING DETAIL FOR ROOF CURB



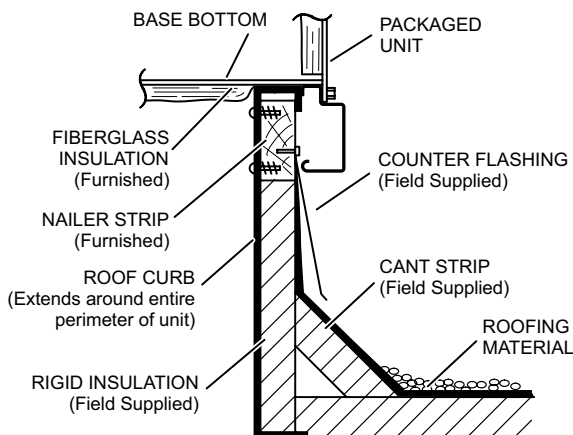
DETAIL ROOF CURB



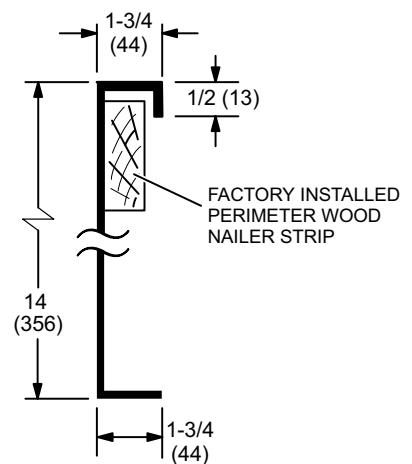
ADJUSTABLE PITCH CURBS - DOUBLE DUCT OPENING



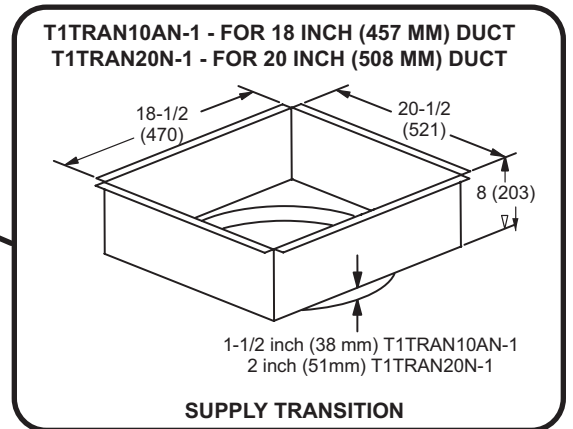
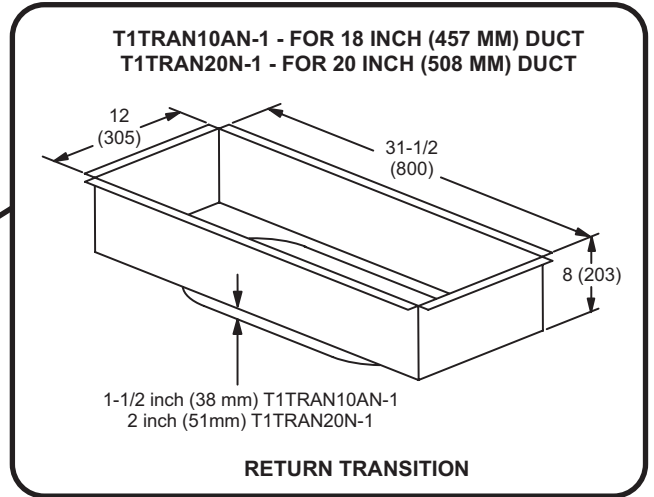
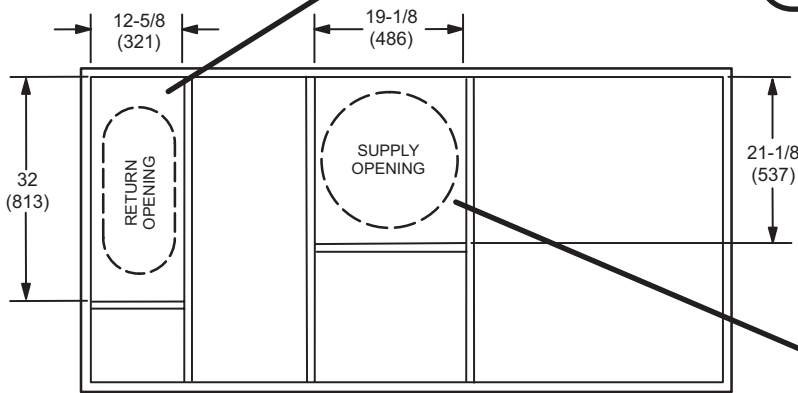
TYPICAL FLASHING DETAIL FOR ROOF CURB



DETAIL ROOF CURB



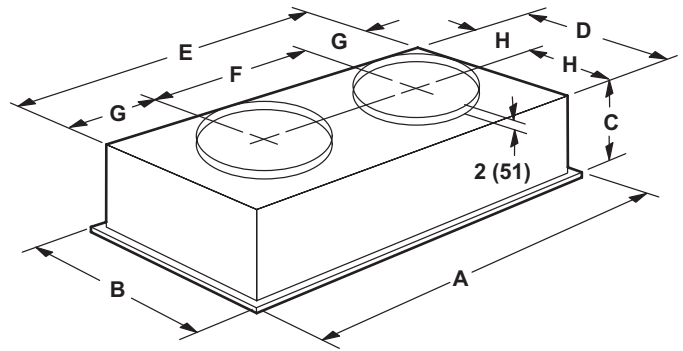
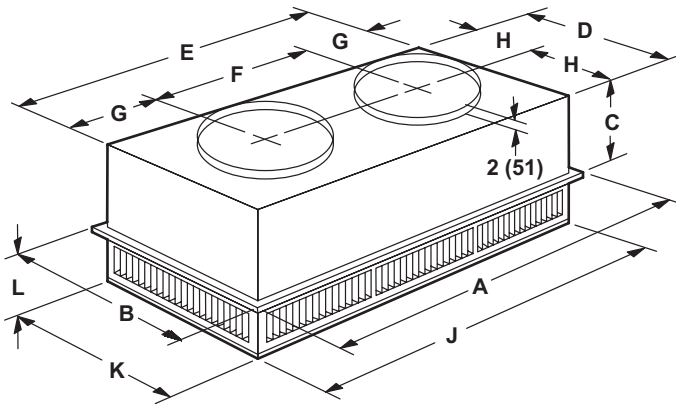
TRANSITIONS



COMBINATION CEILING SUPPLY AND RETURN DIFFUSERS

STEP-DOWN CEILING DIFFUSER

FLUSH CEILING DIFFUSER

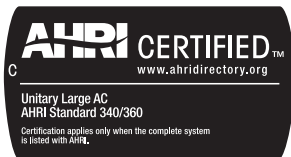


Model Number		RTD9-65S	RTD11-95S
A	in.	47-5/8	47-5/8
	mm	1159	1159
B	in.	23-5/8	29-5/8
	mm	600	752
C	in.	11-3/8	14-3/8
	mm	289	365
D	in.	21-1/2	27-1/2
	mm	546	699
E	in.	45-1/2	45-1/2
	mm	1156	1158
F	in.	22-1/2	22-1/2
	mm	572	572
G	in.	11-1/2	11-1/2
	mm	292	292
H	in.	10-3/4	13-3/4
	mm	273	349
J	in.	45-1/2	45-1/2
	mm	1156	1156
K	in.	21-1/2	27-1/2
	mm	546	699
L	in.	7-1/8	8-1/8
	mm	181	206
Duct Size	in.	18 round	20 round
	mm	457 round	508 round

Model Number		FD9-65S	FD11-95S
A	in.	47-5/8	47-5/8
	mm	1159	1159
B	in.	23-5/8	29-5/8
	mm	600	752
C	in.	13-1/2	16-5/8
	mm	343	422
D	in.	21	27
	mm	533	686
E	in.	45	45
	mm	1143	1143
F	in.	22-1/2	22-1/2
	mm	572	572
G	in.	11-1/4	11-1/4
	mm	286	286
H	in.	10-1/2	13-1/2
	mm	267	343
Duct Size	in.	18 round	20 round
	mm	457 round	508 round

REVISIONS

Sections	Description of Change
Options/Accessories	Added MERV 16 air filters. Copper Drain Trap is field installed only.



HRAI
✓ MEMBER COMPANY



Intertek

LENNOX

Visit us at www.Lennox.com

For the latest technical information, www.LennoxCommercial.com

Contact us at 1-800-4-LENNOX

NOTE - Due to Lennox' ongoing commitment to quality, Specifications, Ratings and Dimensions subject to change without notice and without incurring liability. Improper installation, adjustment, alteration, service or maintenance can cause property damage or personal injury. Installation and service must be performed by a qualified installer and servicing agency.

©2022 Lennox Industries, Inc.