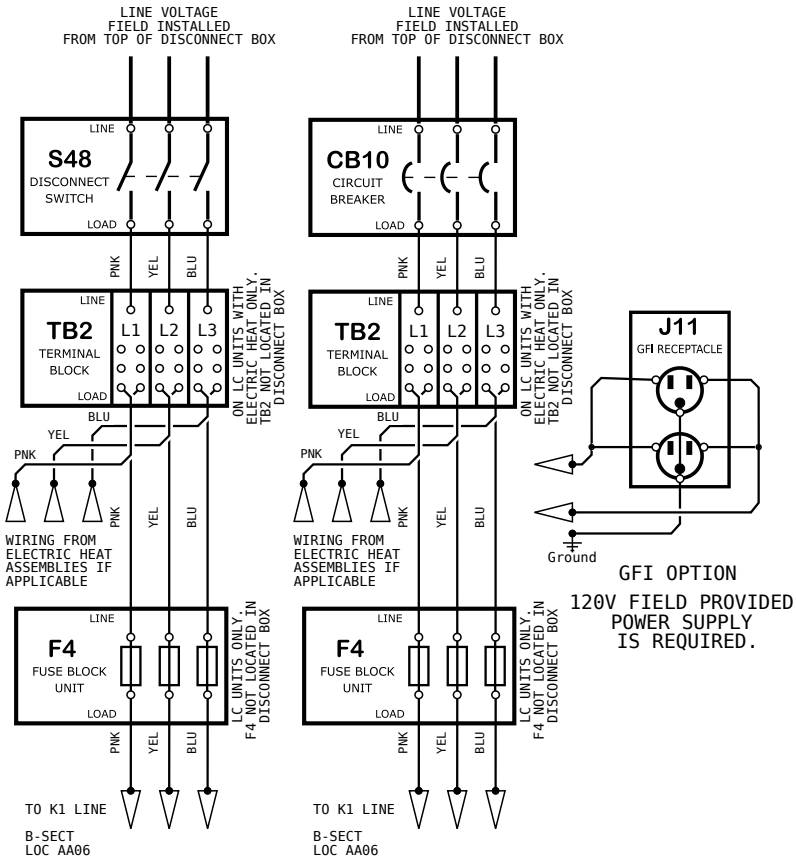


-----POWER ENTRY OPTIONS-----

**DISCONNECT SWITCH**

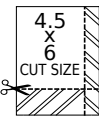
**CIRCUIT BREAKER**



Model: LCM, LGM Series RTU  
 Power Entry Options, 036 - 074  
 Voltage: All Voltages  
 Supersedes: N/A Form No: 538112-01 Rev: 0



Rev 0

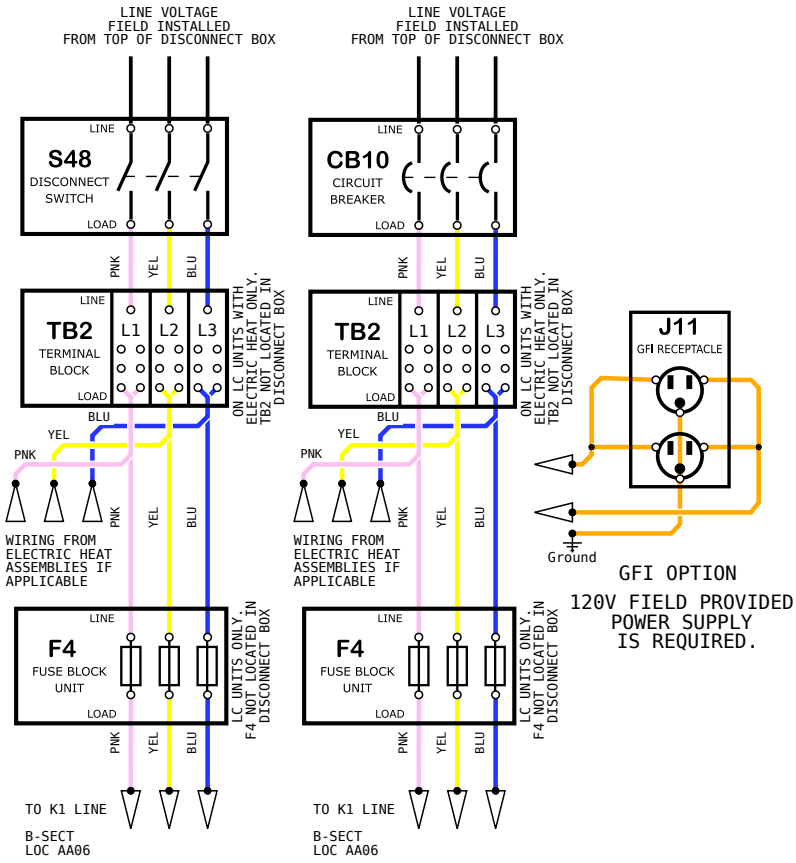


REV	EC NO.	DATE	BY	APVD	REVISION NOTE
--	CN-008594H	10/16/2020	CSG	JEG	ORIGINATED AT PD&R CARROLLTON, TX

-----POWER ENTRY OPTIONS-----

**DISCONNECT SWITCH**

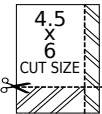
**CIRCUIT BREAKER**



Model: LCM, LGM Series RTU  
 Power Entry Options, 036 - 074  
 Voltage: All Voltages  
 Supersedes: N/A Form No: 538112-01 Rev: 0



Rev 0



REV	EC NO.	DATE	BY	APVD	REVISION NOTE
--	CN-008594H	10/16/2020	CSG	JEG	ORIGINATED AT PD&R CARROLLTON, TX