

## SENSOR BRACKET KIT

### INSTALLATION INSTRUCTIONS FOR SENSOR BRACKET KIT (LB-98689A; 85L43) USED TO INSTALL CO<sub>2</sub> SENSORS IN ROOFTOP UNIT DOWNFLOW APPLICATIONS

#### Shipping and Packing List

##### Package 1 of 1 contains:

- 2- Brackets (one used per unit)
- 4- 8-32X1/2" PHTF screws
- 1- 8-18X1/2" SDST screws
- 1- Grommet

*NOTE - CO<sub>2</sub> sensor 87N54 is ordered and shipped separately. The sensor should be black; white sensors are for indoor use.*

### **⚠ WARNING**

**Improper installation, adjustment, alteration, service or maintenance can cause property damage, personal injury or loss of life. Installation and service must be performed by a qualified installer, service agency or the gas supplier**

#### Application

The sensor bracket kit is used to install CO<sub>2</sub> sensors (87N54) in the return air opening of packaged gas, cooling, and heat pump units in downflow applications. The bracket hangs on the return air flange and extends the sensor into the duct.

#### Installation

- 1- Disconnect all power to unit.
- 2- Install grommet in bracket.
- 3- Align baseplate on bracket as shown in figure 1 and secure with 4 thread forming screws.
- 4- Pull field provided wiring through grommet and connect to baseplate.
- 5- Align hinges on baseplate with openings on the back of the sensor and pivot closed. Sensor will "click" into place.

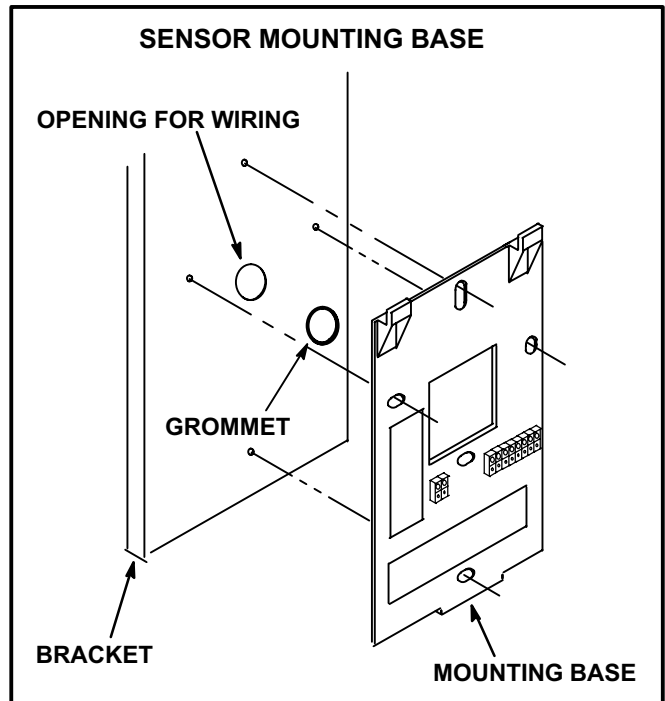


FIGURE 1

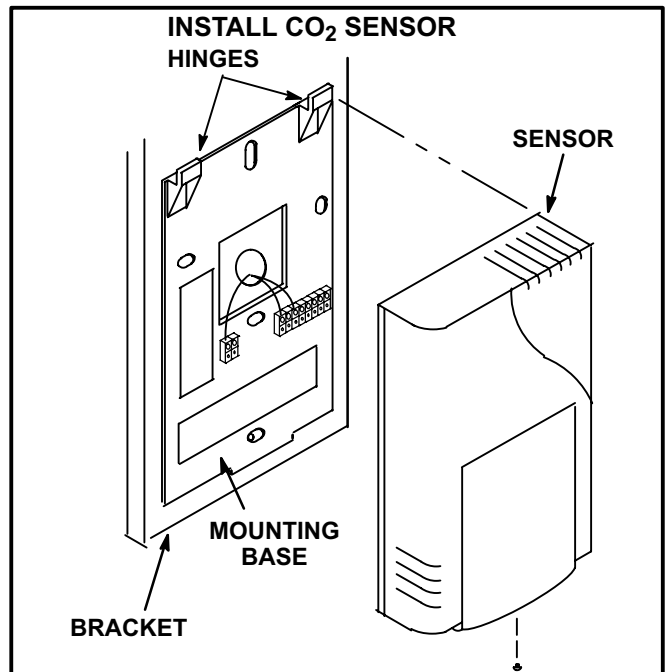
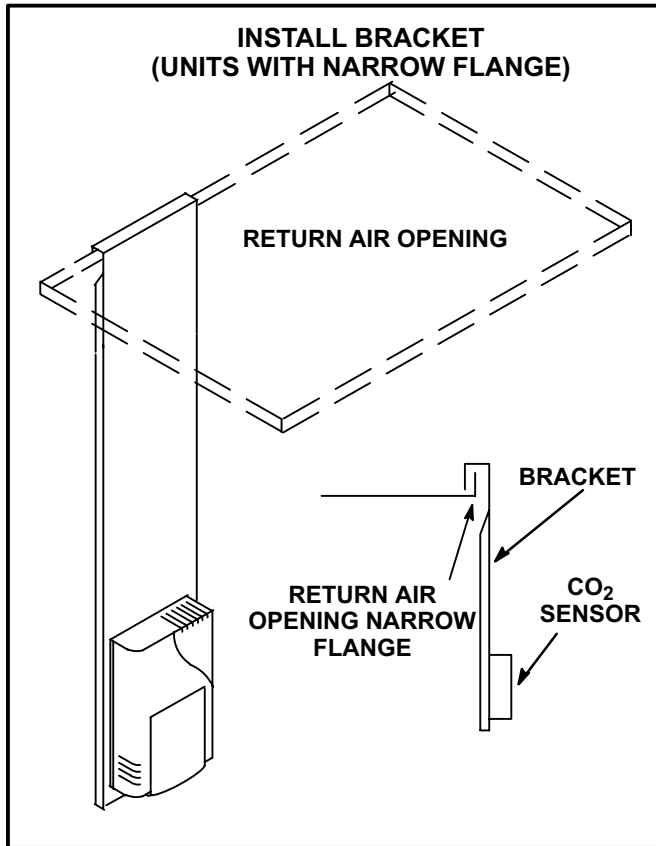


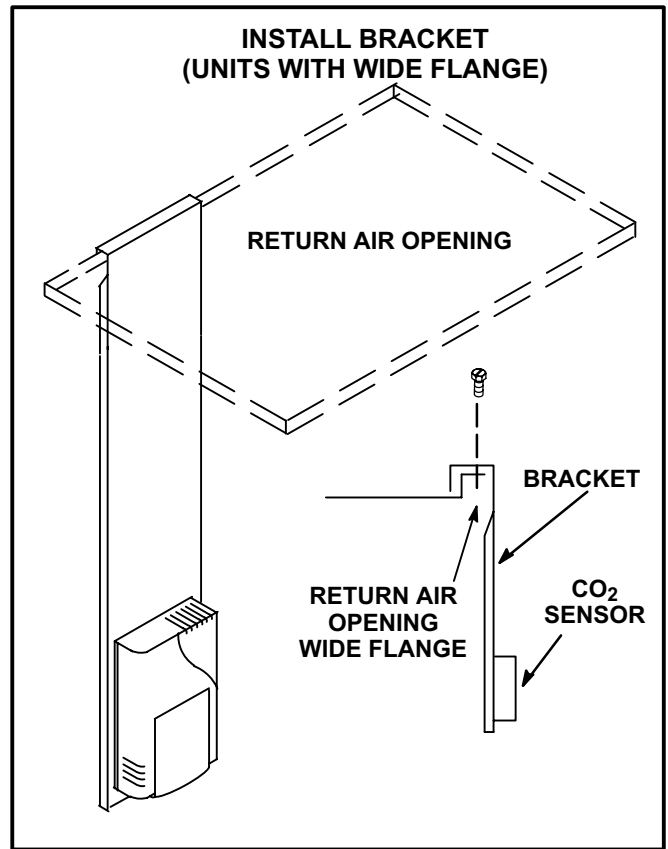
FIGURE 2



- 6- Install bracket and sensor assembly on return air flange. See figure 3 when unit has a narrow return air flange. See figure 4 when unit has a wide return air flange. Retain the unused flange for other installations.
- 7- Secure bracket with screw when flange is wide. See figure 3.
- 8- Connect wiring according to manufacturer's instructions provided with sensor.



**FIGURE 3**



**FIGURE 4**