



SUBMITTAL DATA – WALL MOUNTED

MHB012S4S-1L – MWHB012S4-1L

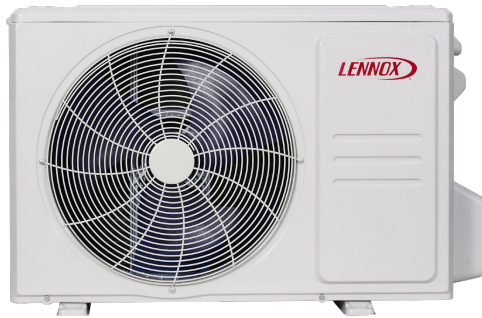
SINGLE ZONE MINI-SPLIT HEAT PUMP

Job: _____
 Location: _____
 Schedule No.: _____
 System Designation: _____

Engineer: _____
 Architect: _____
 Date: _____
 For: Reference Approval Review Construction

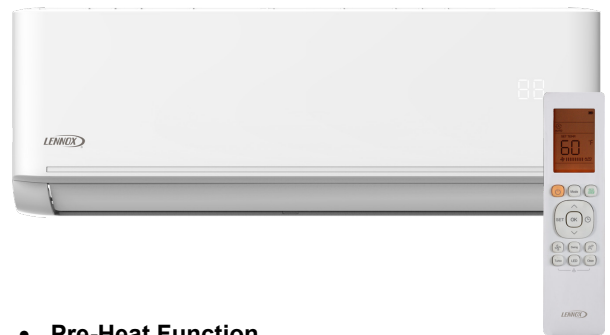
FEATURES

Outdoor Unit: MHB012S4S-1L



- DC Inverter Control
- Compressor Overcurrent Protection
- Defrost Control

Indoor Unit: MWHB012S4-1L



- Pre-Heat Function
- Auto Restart
- Three Speed Fan
- Flare Connections
- Multi-Refrigerant Outlet
- LED Readout
- Wireless Remote Included

PIPING

Line Set and Elevation Guidelines

Maximum Line Set Length ft. (m)	82 (25)
Maximum Elevation - Outdoor Unit Below/Above Indoor Unit ft. (m)	33 (10)
Liquid Line Set Diameter (in.)	1/4
Gas Line Set Diameter (in.)	1/2
Pre-Charged (ft.)	25
Additional Charge Per Ft. (oz.)	0.16

PRODUCT WARRANTY

Compressor – Seven year limited warranty
 All other covered components - Five year limited warranty

OPTIONAL ACCESSORIES

Non-Programmable Controller (M0STAT61Q-1)
 Programmable Controller (M0STAT64Q-2)
 Hail Guard Set (M9GARD20Q-1/24M82)



NOTE – Due to Lennox' ongoing commitment to quality, Specifications, Ratings, and Dimensions are subject to change without notice and without incurring liability. Improper installation, adjustment, alteration, service or maintenance can cause property damage or personal injury. Installation and service must be performed by a qualified installer and servicing agency.
 495980 (202305) ©2023 Lennox Industries, Inc.



SUBMITTAL DATA - WALL MOUNTED

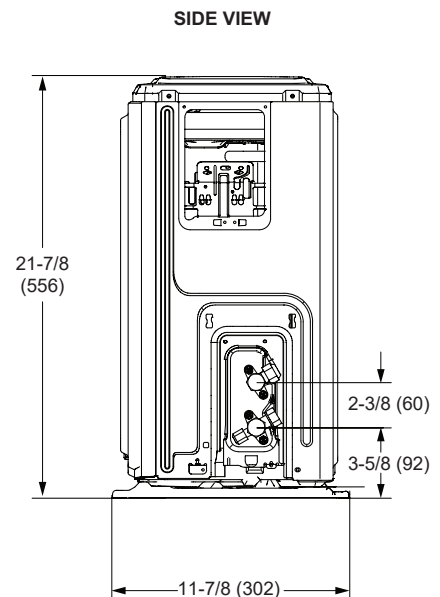
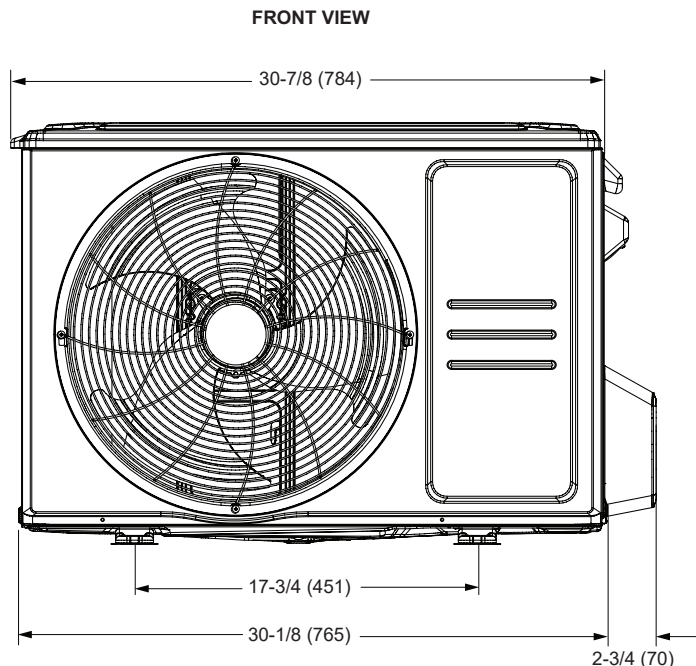
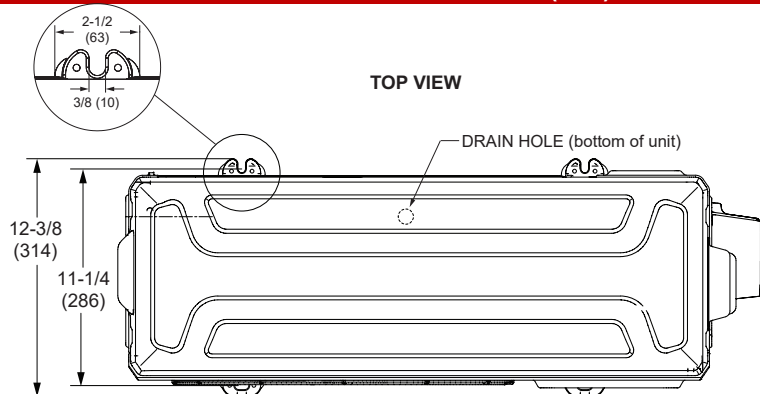
MHB012S4S-1L - MWHB012S4-1L

SINGLE ZONE MINI-SPLIT HEAT PUMP

OUTDOOR SPECIFICATIONS

PERFORMANCE		GENERAL DATA	
Cooling Capacity (Btu/h) ¹	12,000	Connection Ratio (%)	100%
EER2	10.3	Max. # of Indoor Units	1 unit
SEER2	20.8	Sound Data (dBA)	53.5
Heating Capacity (Btu/h) ¹	12,000	Refrigerant type	R-410A
HSPF2	8.7	Factory refrigerant charge	1 lbs. 13 oz.
Outdoor Fan Total Air Volume (CFM)	1,235	DIMENSIONS	
Ambient Temperature Operating Range		Unit Dimensions (in)	Height 21-7/8
Cooling	5°F - 122°F		Width 32-7/8
Heating	5°F - 86°F		Depth 11-1/4
ELECTRICAL DATA		Shipping Weight (lb)	68
Power Supply (V/Hz/Φ)	115/60/1	Net Weight (lb)	63
Minimum Circuit Ampacity (A)	18.5	NOTES	
Maximum Overcurrent Protection (A)	25	1. Cooling and Heating Capacity data is rated at the following conditions:	
Outdoor Fan Motor RLA (A)	0.4	Cooling: 80°FDB / 67°FWB Indoor, 95°FDB Outdoor	
No. of Compressors	1	Heating: 70°FDB Indoor, 47°FDB / 43°FWB Outdoor	

OUTDOOR DIMENSIONAL DRAWINGS - INCHES (MM)



NOTE - Due to Lennox' ongoing commitment to quality, Specifications, Ratings, and Dimensions are subject to change without notice and without incurring liability. Improper installation, adjustment, alteration, service or maintenance can cause property damage or personal injury. Installation and service must be performed by a qualified installer and servicing agency.



SUBMITTAL DATA – **WALL-MOUNTED**

MHB012S4S-1L – MWHB012S4-1L

SINGLE ZONE MINI-SPLIT HEAT PUMP

INDOOR SPECIFICATIONS

PERFORMANCE

Airflow (CFM)	High	300
	Medium	241
	Low	176
Sound Pressure (dBA)	High	41
	Medium	35
	Low	26

ELECTRICAL DATA

Power Supply (V/Hz/Φ)	Supplied by ODU
Rated load amps (RLA)	10.13
Power Output (W)	20

DIMENSIONS

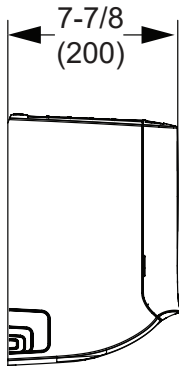
Unit Dimensions (in)	Height	11-5/8
	Width	31-3/4
	Depth	7-7/8
Unit Net/Shipping Weight (lb)		19/24

PIPING

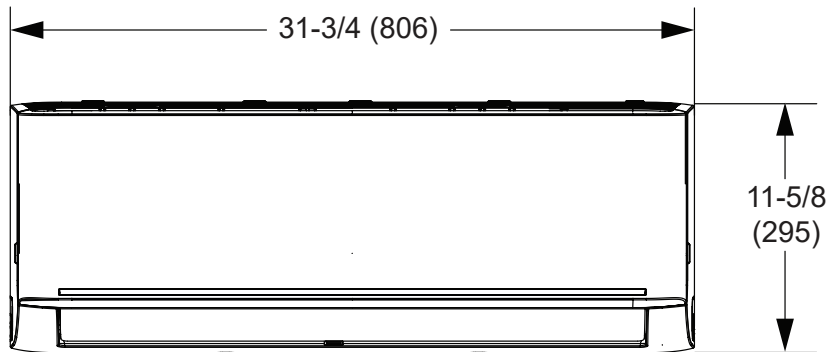
Liquid/Gas O.D. Flare (in.)	1/4 , 1/2
Drain Connection O.D. (in.)	1

INDOOR DIMENSIONAL DRAWINGS - INCHES (MM)

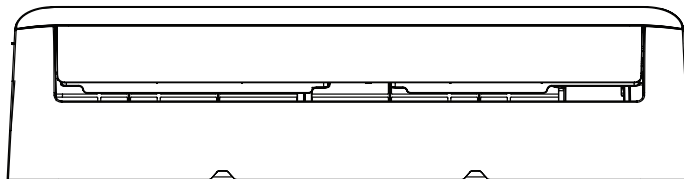
MWHB012



SIDE VIEW



FRONT VIEW



BOTTOM VIEW

NOTE – Due to Lennox' ongoing commitment to quality, Specifications, Ratings, and Dimensions are subject to change without notice and without incurring liability. Improper installation, adjustment, alteration, service or maintenance can cause property damage or personal injury. Installation and service must be performed by a qualified installer and servicing agency.
 495980 (202305) ©2023 Lennox Industries, Inc.