

PACKAGED UNITS KITS AND ACCESSORIES

506205-02
5/2022
Supersedes 4/2021

BLOWER PROVING SWITCH KIT

INSTALLATION INSTRUCTIONS FOR BLOWER PROVING SWITCH KIT (603364-36, 21Z10) USED ON PACKAGED LG/LC/LH/LD 024-300(S) UNITS

Shipping and Packing List

Package 1 of 1 contains:

- 1- Air flow switch (S52)
- 1- Air flow fitting
- 1- Air flow tubing
- 2- Screws

Application

The Blower Proving Switch Kit is used on LG/LC/LH/LD 024-300(S) (3 to 25 ton) units.

The normally open S52 air flow (blower proving) switch will close with an increase in static pressure when the blower is started.

Units which contain a Unit Controller will keep the heating and cooling functions locked out and also show an alarm in the system if the blower is not sensed. S52 is found on the "C" or control wiring diagram section in the unit.

CAUTION

As with any mechanical equipment, contact with sharp sheet metal edges can result in personal injury. Take care while handling this equipment and wear gloves and protective clothing.

Unit Controller Settings

The blower proving switch is controlled by the Unit Controller. Use the following appropriate menu to enable blower proving switch function.

M2 Unit Controller:

Go to **Settings > Install > Blower Proving Sw**

M3 Unit Controller:

Go to **Setup > Install** and navigate through the various setup questions until **Configuration ID 2** appears. Position **one** needs to be set to either **C** for installed on M3 Unit Controller or **D** for installed on DDC controller.

M4 Unit Controller:

Use the mobile app and go to **RTU MENU > SETUP INSTALL** and navigate through the various setup questions until **Configuration ID 2** appears. Position **one** needs to be set to either **C** for installed on M4 Unit Controller or **D** for installed on DDC controller.

NOTE - Refer to the Unit Controller manual provided with each unit.

Installation

- 1- Open blower access doors and disconnect all electrical power to unit.
- 2- Cut air flow tubing to 2" for 024-072 and 156-300(S) units. Use length provided for 092-150 units.
- 3- Assemble air flow switch, tubing, and fitting as shown in figure 1.
- 4- Install switch assembly as shown in table 1. Snap the air flow fitting into the keyed hole. Secure the switch with two screws.

TABLE 1

Unit	Figure
LGH/LCH036-150	Figure 2
LGM/LCM036-074	Figure 3
LG/LC 092-150	Figure 4
LG/LC 156-300(S)	Figure 5
LGT/LHT/LCT/LDT024-072	Figure 6

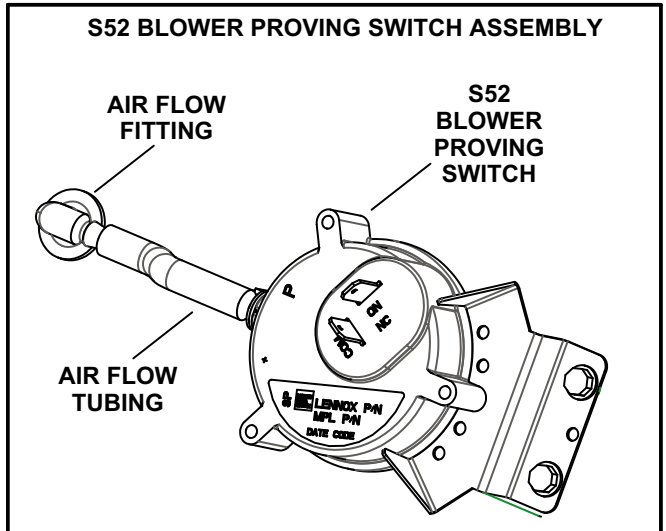


FIGURE 1

WARNING

Improper installation, adjustment, alteration, service or maintenance can cause property damage, personal injury or loss of life. Installation and service must be performed by a licensed professional HVAC installer or equivalent, service agency, or the gas supplier



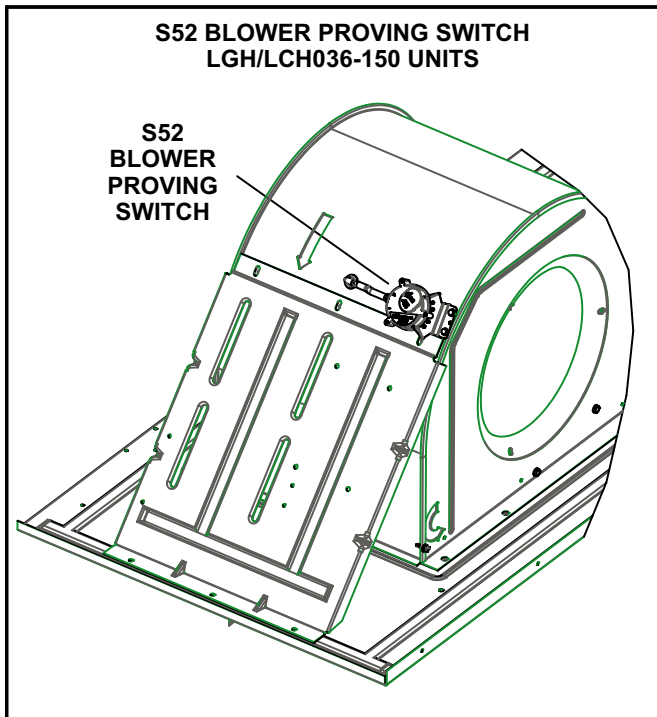


FIGURE 2

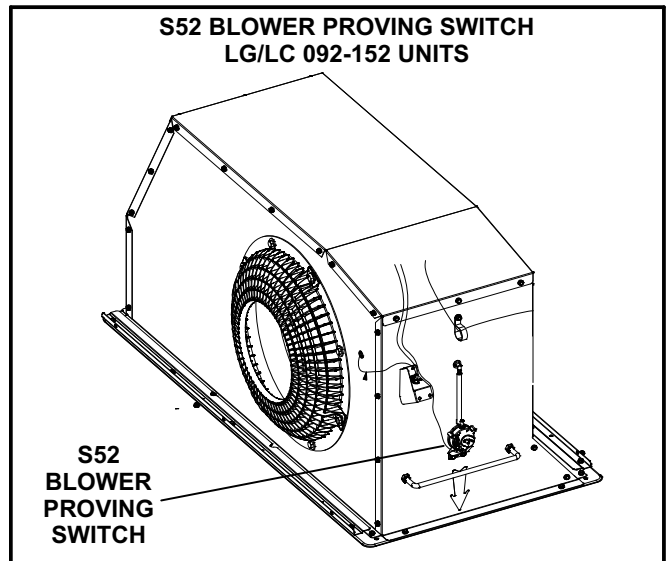


FIGURE 4

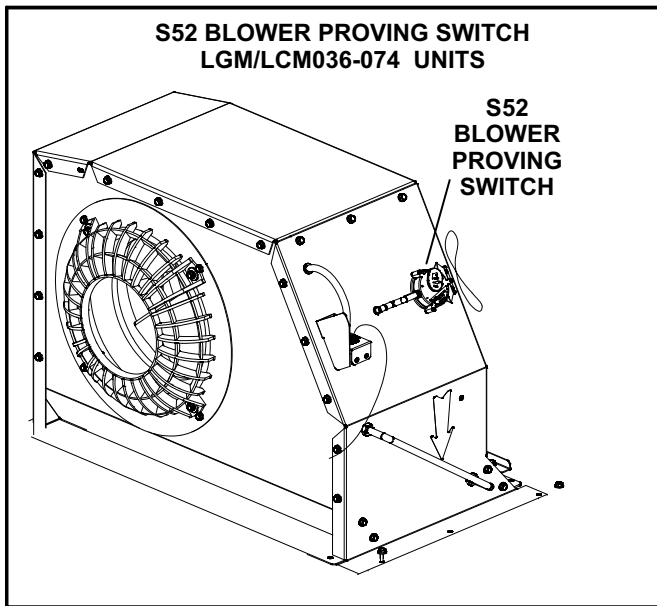


FIGURE 3

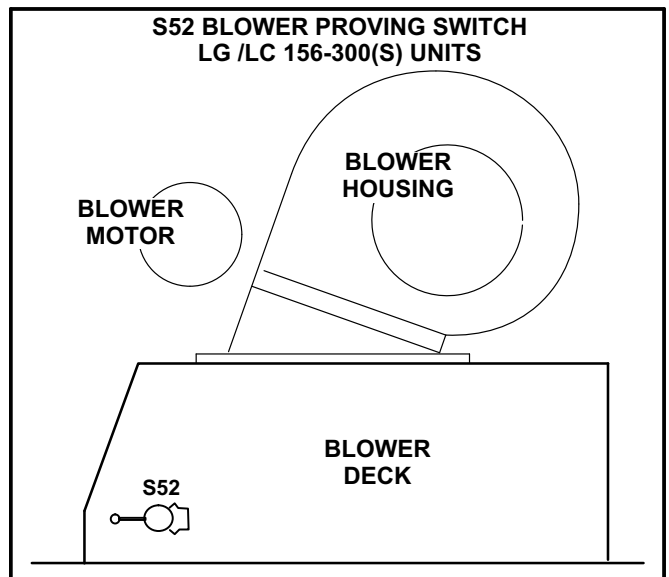


FIGURE 5

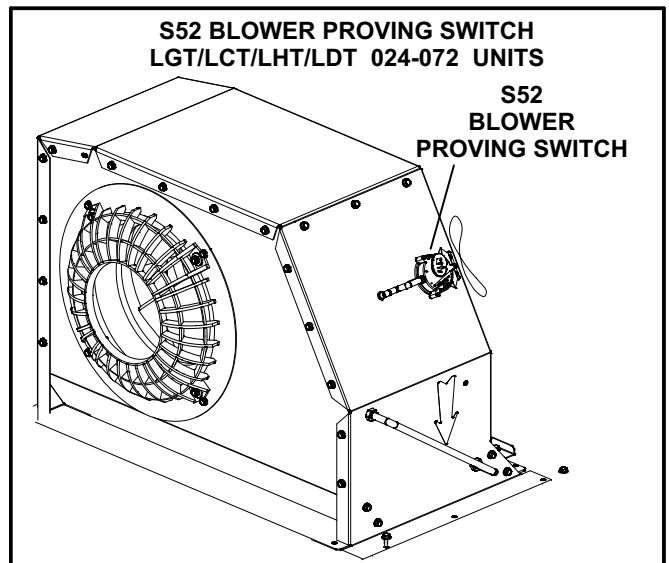


FIGURE 6

Wiring

Locate the wires hanging near the blower proving switch labeled "S52". Connect wires to the blower proving switch terminals. See figure 7 for 024-150 units and figure 8 for 156-300S units.

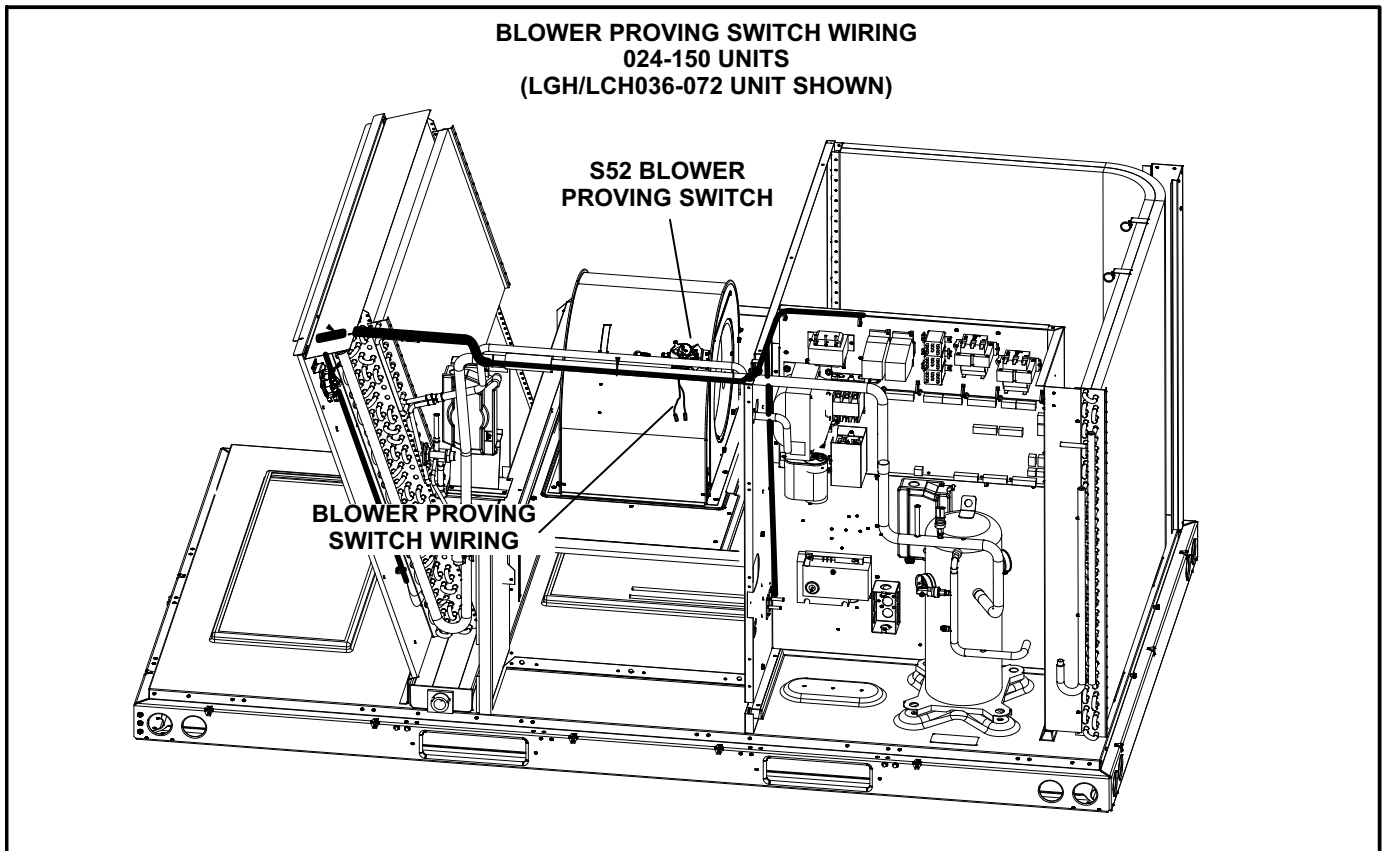


FIGURE 7

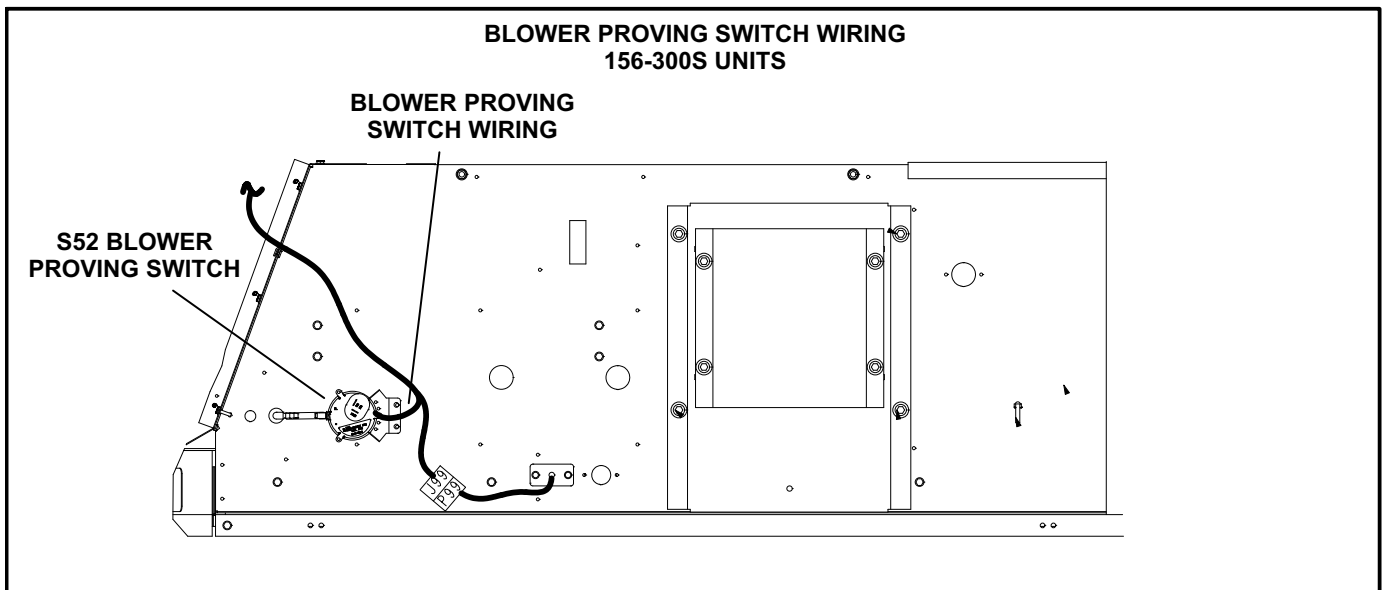


FIGURE 8