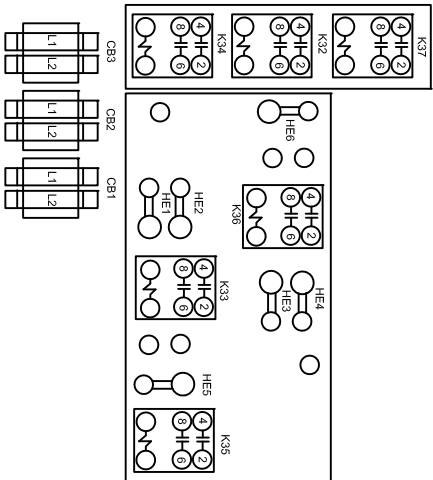
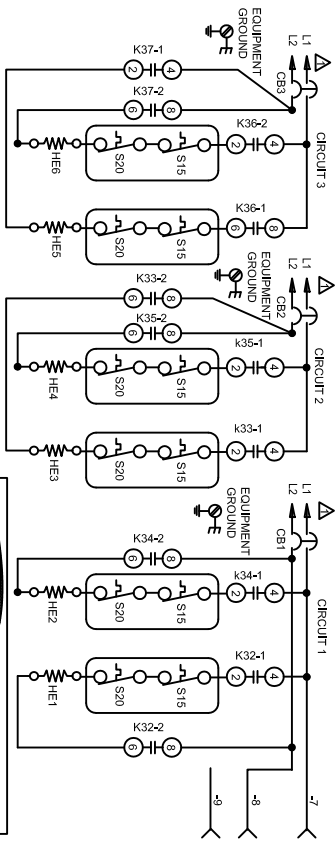
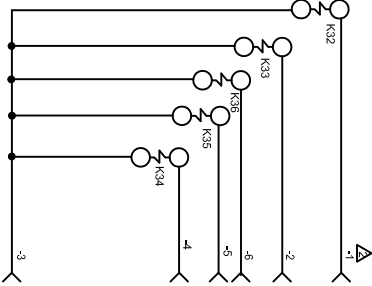


**Cut Size:**  
5" wide x 7-1/4" tall

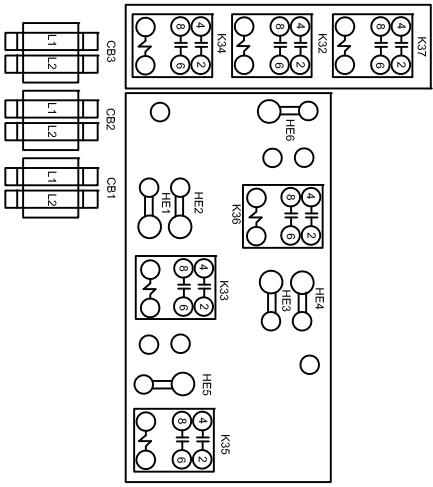


KEY	DESCRIPTION
CB1	CIRCUIT BREAKER-ELECT HEAT
CB2	CIRCUIT BREAKER-ELECT HEAT
CB3	CIRCUIT BREAKER-ELECT HEAT
HE2	ELEMENT-ELECTRIC HEAT 2
HE3	ELEMENT-ELECTRIC HEAT 3
HE4	ELEMENT-ELECTRIC HEAT 4
HE5	ELEMENT-ELECTRIC HEAT 5
HE6	ELEMENT-ELECTRIC HEAT 6
K32-1	RELAY-ELECTRIC HEAT
K32-2	RELAY-ELECTRIC HEAT
K33-1	RELAY-ELECTRIC HEAT
K33-2	RELAY-ELECTRIC HEAT
K34-1	RELAY-ELECTRIC HEAT
K34-2	RELAY-ELECTRIC HEAT
K35-1	RELAY-ELECTRIC HEAT
K35-2	RELAY-ELECTRIC HEAT
S20	SWITCH-LIMIT SECONDARY ELECTRIC HEAT

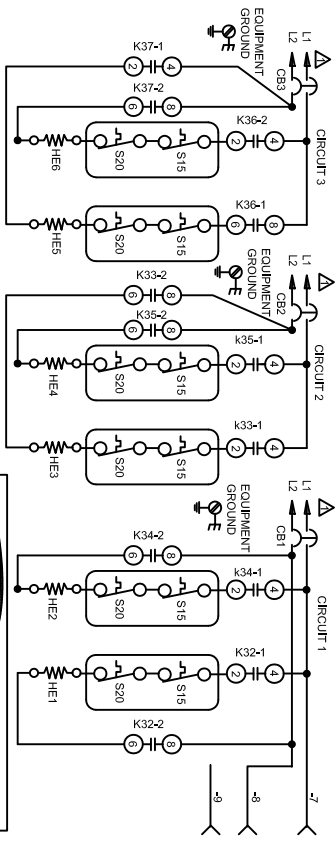
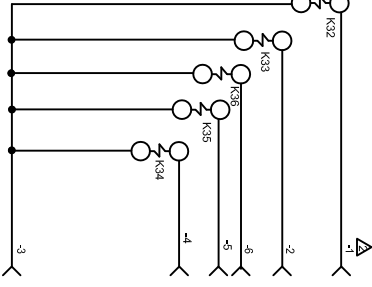


NOTE: USE COPPER CONDUCTORS ONLY  
 REFER TO UNIT NAMEPLATE FOR MINIMUM  
 CIRCUIT AMPACITY AND MAXIMUM  
 OVERCURRENT PROTECTION SIZE.  
 CONNECT WIRES 1 THRU 9 TO PG @ PIN  
 CONNECTORS) ON AHC CONTROL.

**LENNOX** HEATING-ELECTRIC  
 ECB38-25CB-P  
 Supersedes  
 Form No. 537963-01  
 Lennox U.S.A.



KEY	DESCRIPTION
CB1	CIRCUIT BREAKER-ELECT HEAT
CB2	CIRCUIT BREAKER-ELECT HEAT
CB3	CIRCUIT BREAKER-ELECT HEAT
HE2	ELEMENT-ELECTRIC HEAT 2
HE3	ELEMENT-ELECTRIC HEAT 3
HE4	ELEMENT-ELECTRIC HEAT 4
HE5	ELEMENT-ELECTRIC HEAT 5
HE6	ELEMENT-ELECTRIC HEAT 6
K32-1	RELAY-ELECTRIC HEAT
K32-2	RELAY-ELECTRIC HEAT
K33-1	RELAY-ELECTRIC HEAT
K33-2	RELAY-ELECTRIC HEAT
K34-1	RELAY-ELECTRIC HEAT
K34-2	RELAY-ELECTRIC HEAT
K35-1	RELAY-ELECTRIC HEAT
K35-2	RELAY-ELECTRIC HEAT
S20	SWITCH-LIMIT SECONDARY ELECTRIC HEAT



NOTE: USE COPPER CONDUCTORS ONLY  
 REFER TO UNIT NAMEPLATE FOR MINIMUM  
 CIRCUIT AMPACITY AND MAXIMUM  
 OVERCURRENT PROTECTION SIZE.  
 CONNECT WIRES 1 THRU 9 TO PG @ PIN  
 CONNECTORS) ON AHC CONTROL.

**LENNOX** HEATING-ELECTRIC  
 ECB38-25CB-P  
 Supersedes  
 Form No. 537963-01  
 Lennox U.S.A.