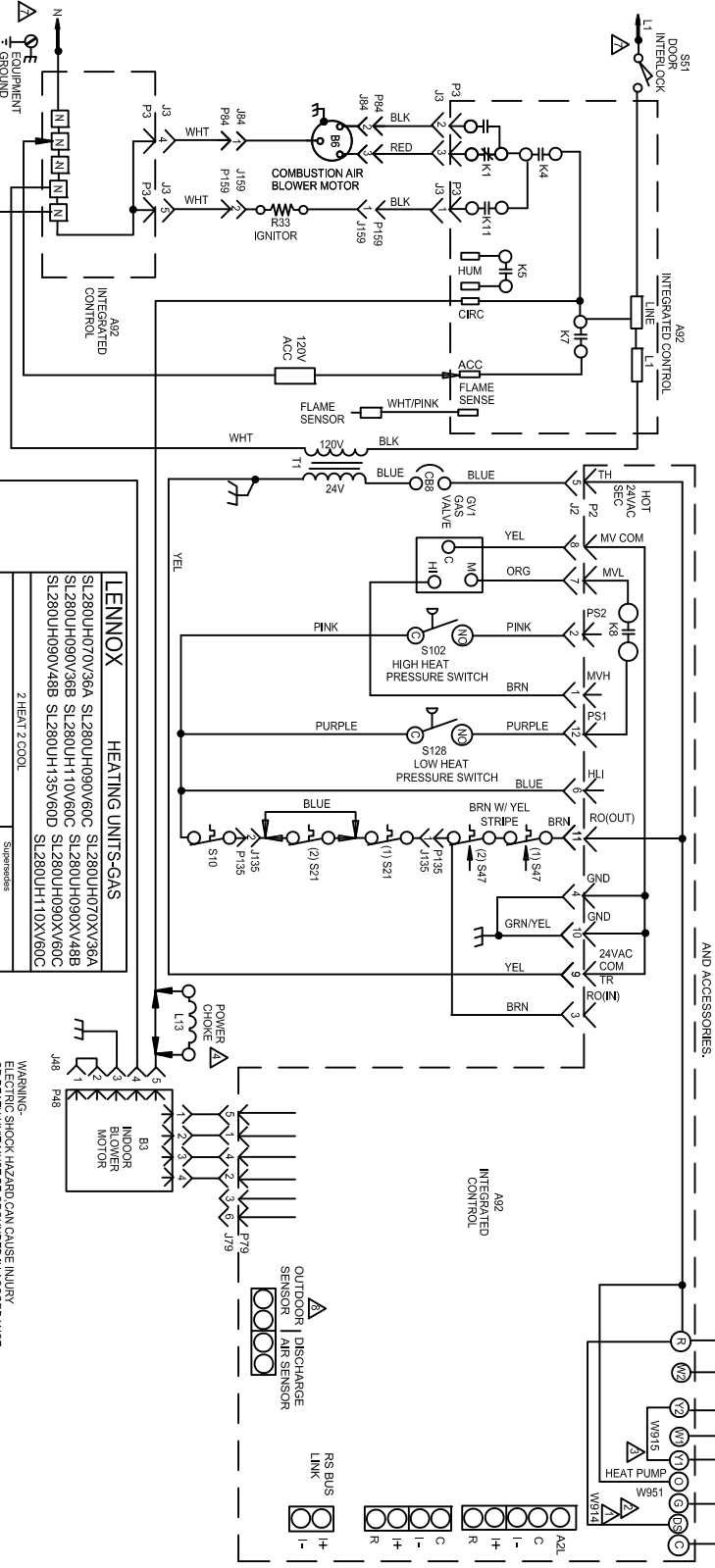


BLOWER SPEED CHART			
UNIT	FACTORY SHIPPED SETTINGS	SECONDARY SETTINGS	2
020XV36A	HEAT	COOL	ADJUST USED
090V36B	FACTORY	HIGH	FACTORY
090XV48B	DEFAULT	DEFAULT	DEFAULT
090XV56C	110XV90C		
110XV90C			

Program unit capacity/size			
Character on 7" segment LED	Furnace Model	Circulator Motor Size	
A	020XV36A	1/2 HP	
B	090V36B	1/2 HP	
C	090XV48B	1 HP	
D	090XV56C	1 HP	
E	110XV90C	1 HP	
F	135V90D	1 HP	

- △ CUT W914 JUMPER LABEL FROM BOARD, WHEN USED WITH COMPENSATE 7000 THERMOSTAT
- △ CUT W951 JUMPER FROM O.T.R. LABELLED "HEAT PUMP" AT A82 CONTROL BOARD, WHEN USED FOR DUAL FUEL APPLICATIONS
- △ JUMPER W915 FROM Y1 TO Y15 IS FACTORY INSTALLED FOR TWO STAGE COOL. LEAVE FOR ONE STAGE COOL. THERMOSTAT. REMOVE FOR TWO STAGE COOL. THERMOSTAT.
- △ L13 USED ON HP ONLY
- △ THERMOSTAT HEAT ANTICIPATION SETTING
 - 285 AMP HONEYWELL VALVE
 - 43 AMP WHITE RODGERS VALVE
- △ HEAT COOL TWO STAGE
- △ HEAT PUMP
- △ FAN
- △ ON
- △ OFF
- △ COOL
- △ HEAT
- △ W915
- △ W914
- △ W913
- △ W912
- △ W911
- △ W910
- △ W909
- △ W908
- △ W907
- △ W906
- △ W905
- △ W904
- △ W903
- △ W902
- △ W901
- △ W900



LENNOX HEATING UNITS-GAS

SL280UH070V36A SL280UH090V60C SL280UH070XV36A
 SL280UH090V36B SL280UH110V60C SL280UH090XV48B
 SL280UH090V48B SL280UH135V90D SL280UH090XV60C
 SL280UH110XV60C

ZHEAT 2 COOL

Supersize
 537403-01

Form No. 538250-01

Lennox U.S.A.

WARNING: SHOCK HAZARD CAN CAUSE INJURY OR DEATH. UNIT MUST BE GROUNDED IN ACCORDANCE WITH NATIONAL AND LOCAL CODES.

NOTE: IF ANY WIRE IN THIS APPLIANCE IS REPLACED IT MUST BE REPLACED WITH WIRE OF LIKE SIZE, RATING, INSULATION THICKNESS, AND TERMINATION

LINE VOLTAGE FIELD WIRING
 CLASS II VOLTAGE FIELD WIRING
 DENOTES OPTIONAL COMPONENTS



2011